



US00D652171S

(12) **United States Design Patent**
Choi

(10) **Patent No.:** **US D652,171 S**
(45) **Date of Patent:** **** Jan. 10, 2012**

(54) **HAND DRYER**

(75) Inventor: **Tae-ok Choi**, Buk-gu (KR)

(73) Assignee: **Hyein Precision Industry Co., Ltd.**,
Gwangju (KR)

(**) Term: **14 Years**

(21) Appl. No.: **29/381,074**

(22) Filed: **Dec. 15, 2010**

(30) **Foreign Application Priority Data**

Jul. 5, 2010 (KR) 30-2010-0029430

(51) **LOC (9) Cl.** **28-03**

(52) **U.S. Cl.** **D28/54.1**

(58) **Field of Classification Search** D28/12,
D28/54.1, 58; 34/266, 201, 202; 392/381,
392/380; D23/357, 361, 385
See application file for complete search history.

(56) **References Cited**

U.S. PATENT DOCUMENTS

D248,576 S * 7/1978 Janssens D28/12
D249,058 S * 8/1978 Goldstein D28/54.1
D349,570 S * 8/1994 Radtke, Jr. D23/382

D371,828 S * 7/1996 Priest D23/269
D372,775 S * 8/1996 Schuler D23/412
D483,152 S * 12/2003 Martinuzzo et al. D28/54.1
D542,474 S * 5/2007 Churchill et al. D28/54.1
D542,975 S * 5/2007 Izuo D28/54.1
D548,399 S * 8/2007 Nikaido et al. D28/54.1

* cited by examiner

Primary Examiner — Zenia Bennett

(74) *Attorney, Agent, or Firm* — Jose Gutman; Fleit Gibbons
Gutman Bongini & Bianco PL

(57) **CLAIM**

The ornamental design for a hand dryer, as shown and described.

DESCRIPTION

FIG. 1 is a perspective view of a hand dryer, showing my new design;

FIG. 2 is a front elevational view thereof;

FIG. 3 is a rear elevational view thereof;

FIG. 4 is a left side elevational view thereof;

FIG. 5 is a right side elevational view thereof;

FIG. 6 is a top plan view thereof; and,

FIG. 7 is a bottom plan view thereof.

The broken lines in FIG. 7 are for environmental purposes only and form no part of the claimed design.

1 Claim, 7 Drawing Sheets

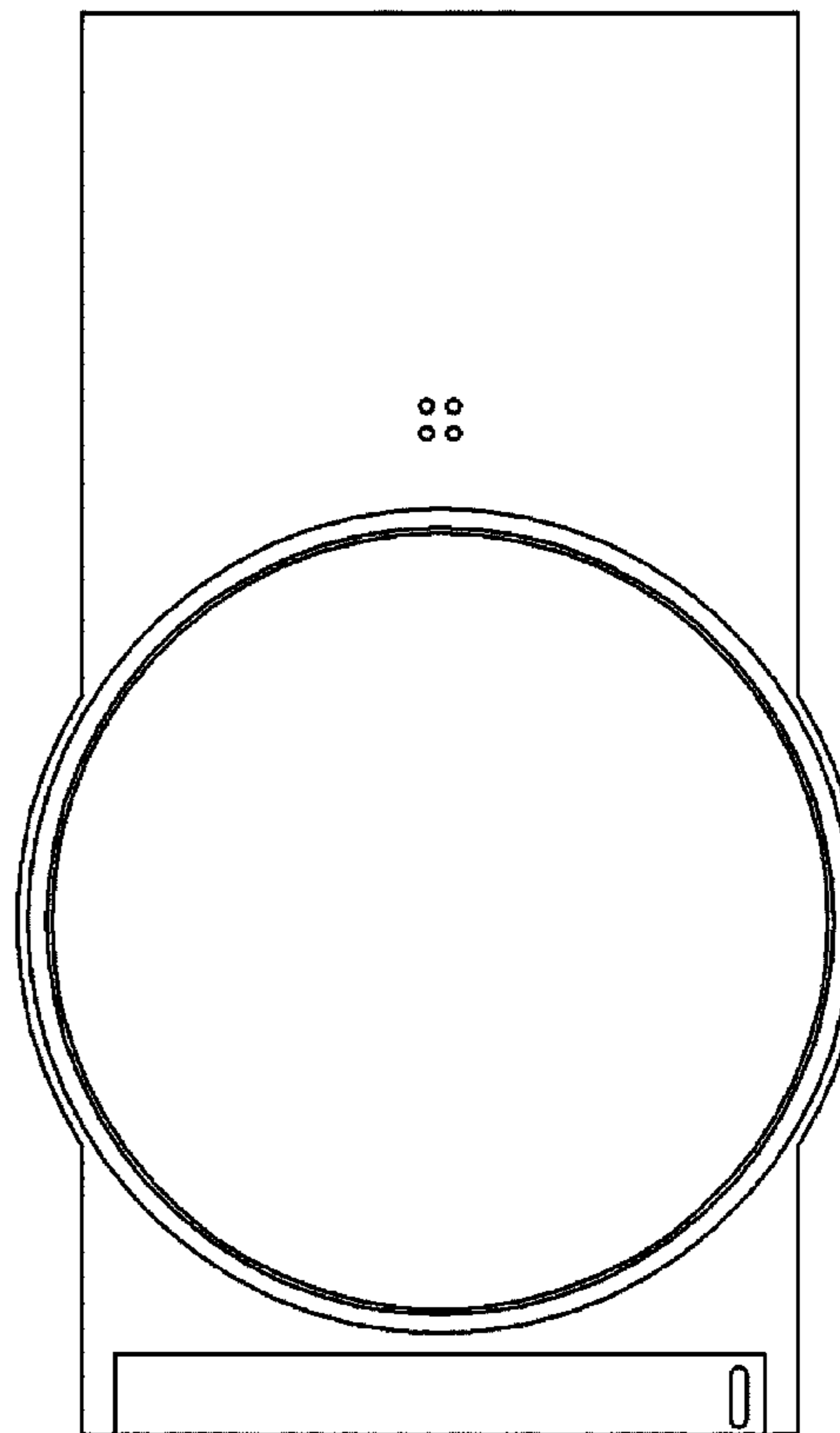
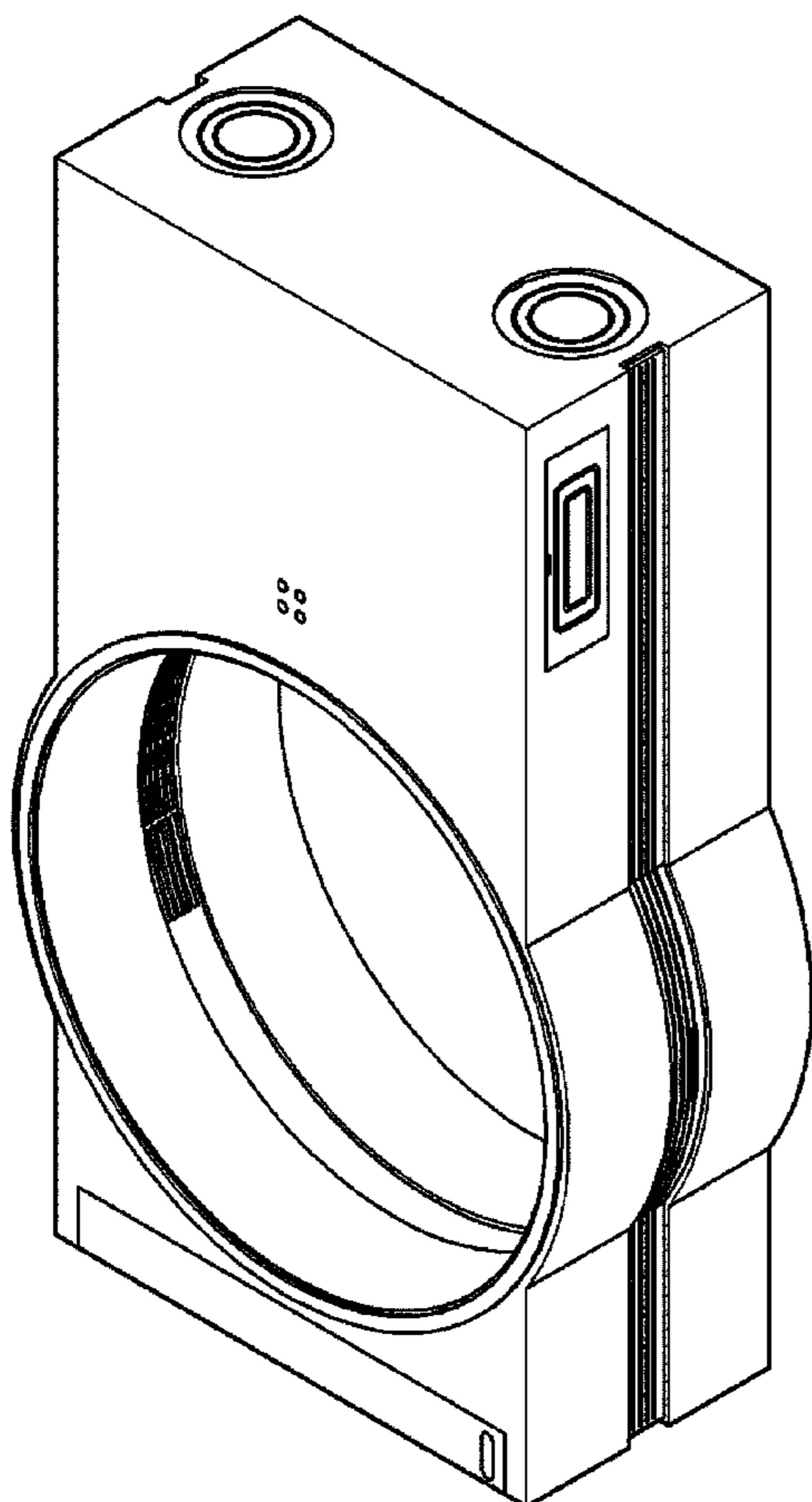


FIG. 1

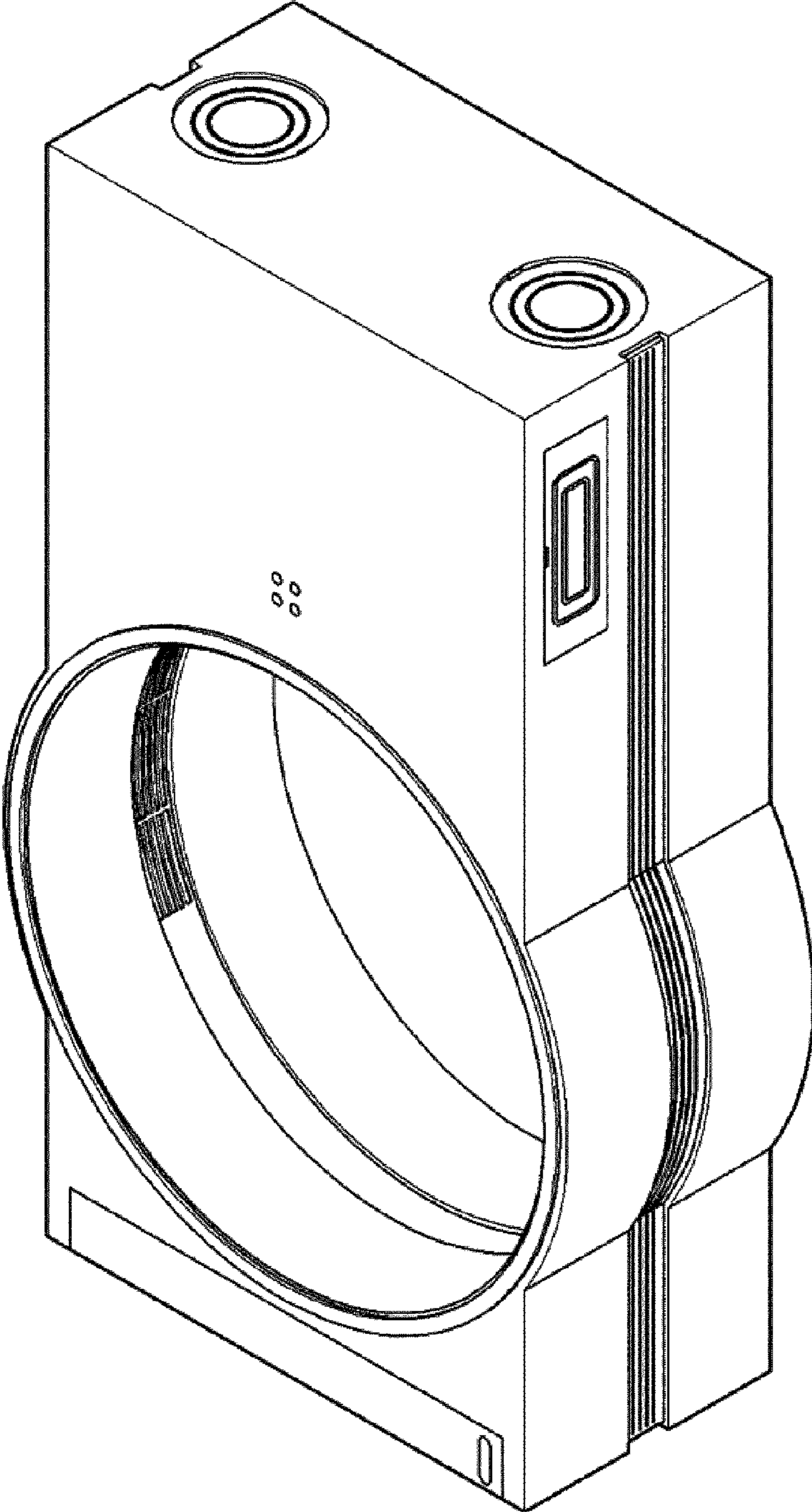


FIG. 2

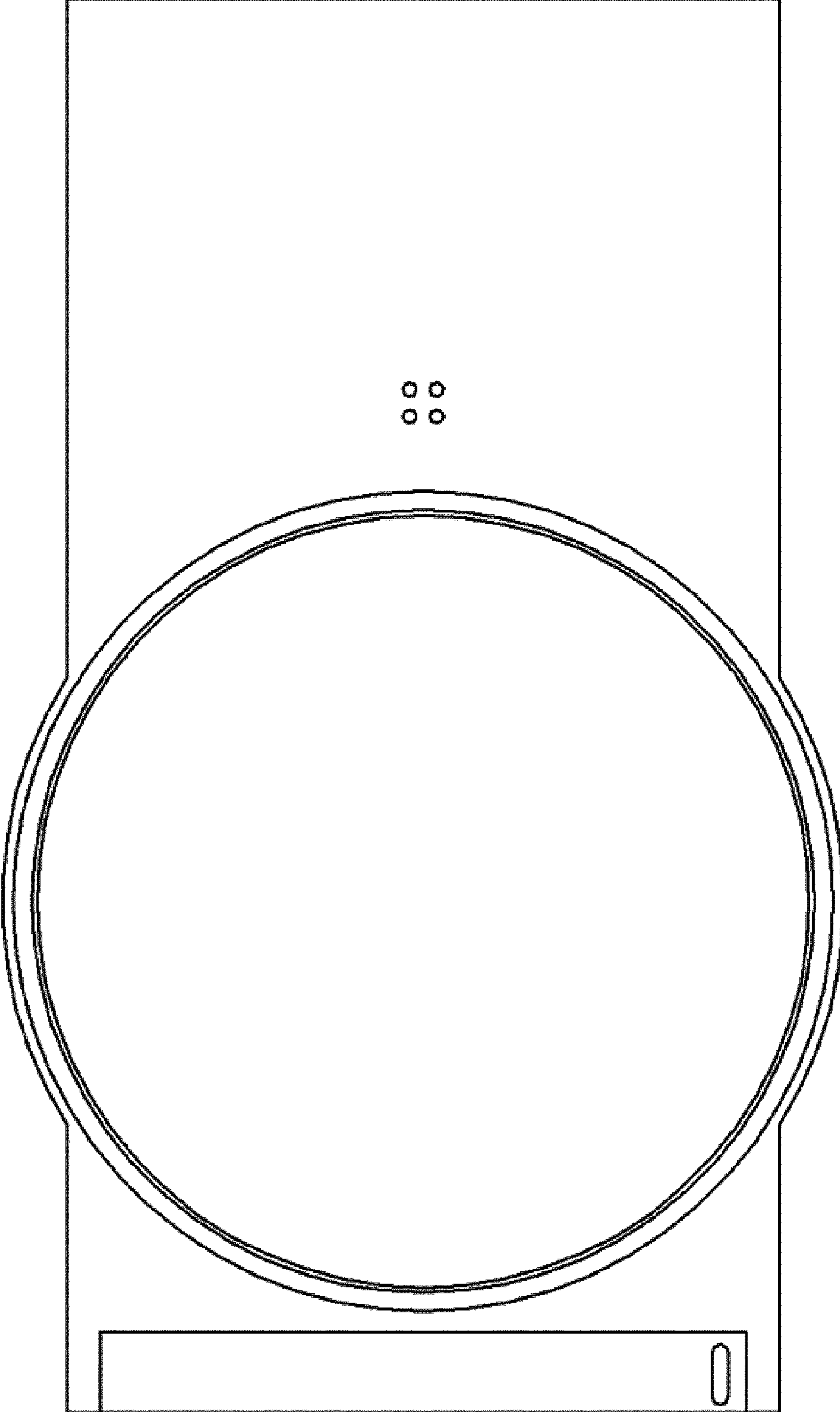


FIG. 3

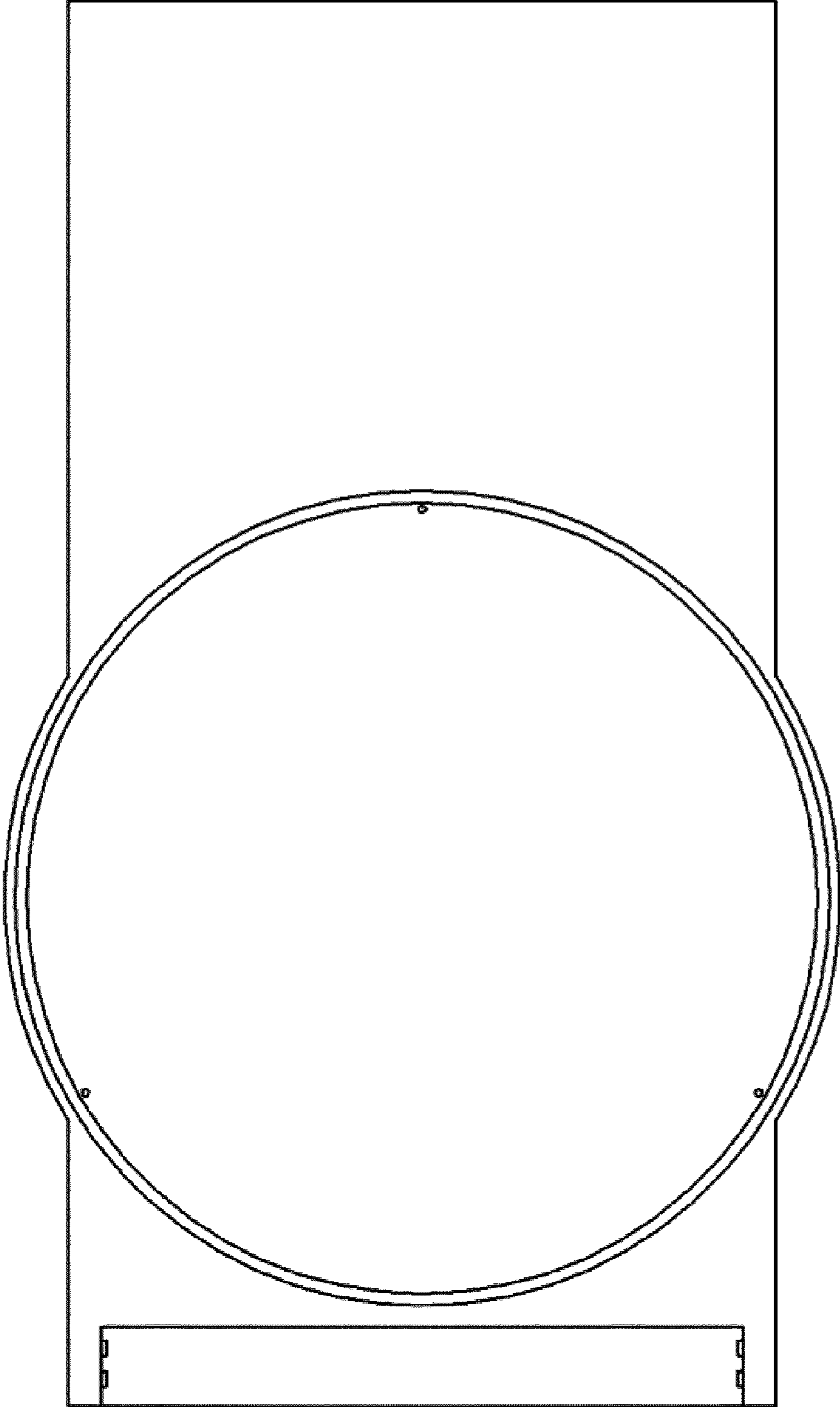


FIG. 4

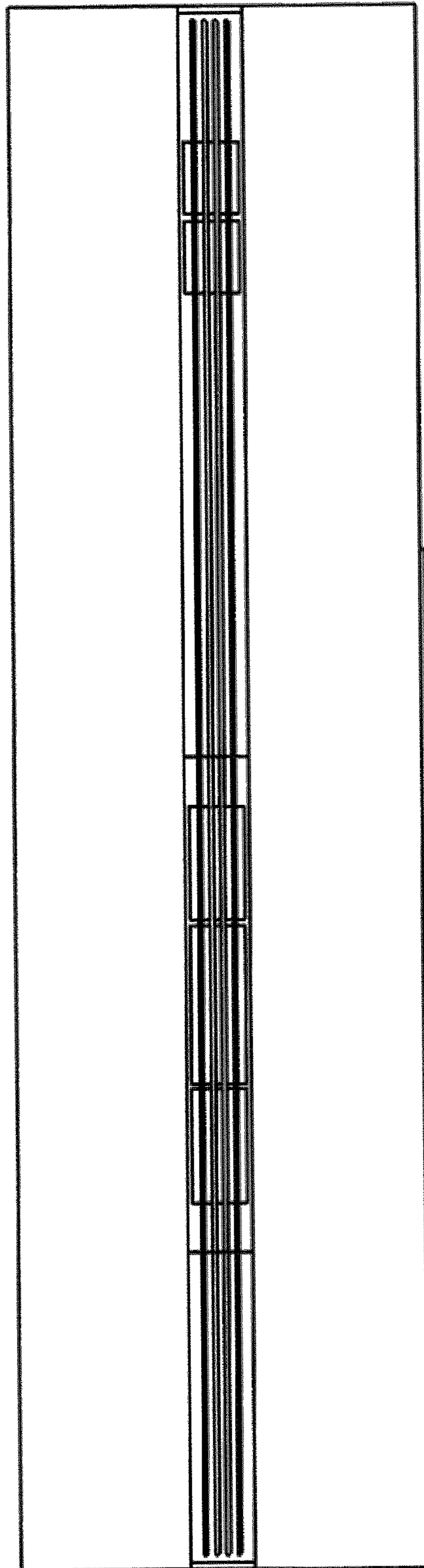


FIG. 5

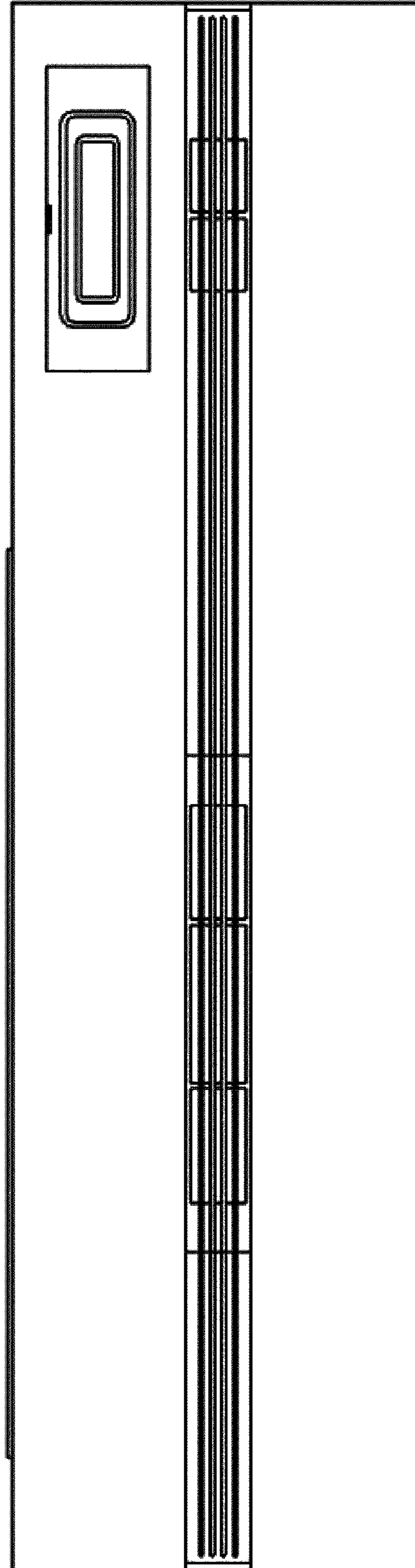


FIG. 6

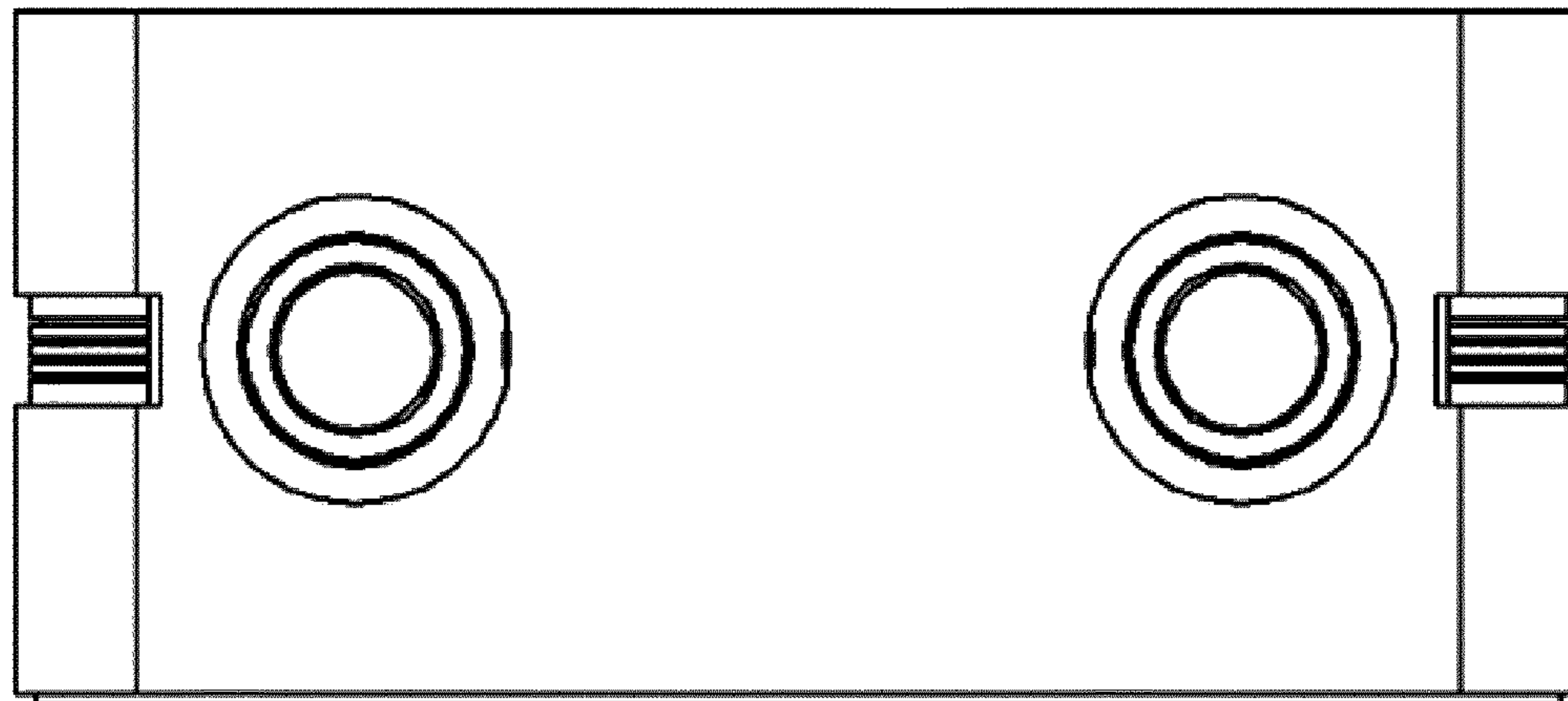


FIG. 7

