



US00D652165S

(12) **United States Design Patent**
Gordon et al.

(10) **Patent No.:** **US D652,165 S**
(45) **Date of Patent:** **** Jan. 10, 2012**

(54) **CAPSULE CONTAINING WASHING PRODUCTS**

(75) Inventors: **James William Gordon**, Ulverston (GB); **Steven Hedley Holden**, Barrow-In-Furness (GB)

(73) Assignee: **Robert McBride Ltd**, Manchester (GB)

(**) Term: **14 Years**

(21) Appl. No.: **29/370,996**

(22) Filed: **Sep. 30, 2010**

(30) **Foreign Application Priority Data**

Jun. 10, 2010	(EM)	001219224-0001
Jun. 10, 2010	(EM)	001219224-0002
Jun. 10, 2010	(EM)	001219224-0003
Jun. 10, 2010	(EM)	001219224-0004
Jun. 10, 2010	(EM)	001219224-0005
Jun. 10, 2010	(EM)	001219224-0006
Jun. 10, 2010	(EM)	001219224-0007
Jun. 10, 2010	(EM)	001219224-0008
Jun. 10, 2010	(EM)	001219224-0009
Jun. 10, 2010	(EM)	001219224-0010
Jun. 10, 2010	(EM)	001219224-0011
Jun. 10, 2010	(EM)	001219224-0012
Jun. 10, 2010	(EM)	001219224-0013
Jun. 10, 2010	(EM)	001219224-0014
Jun. 10, 2010	(EM)	001219224-0015

(51) **LOC (9) Cl.** **28-02**

(52) **U.S. Cl.** **D28/8.1**

(58) **Field of Classification Search** 510/133, 510/141, 148, 194, 220, 224-255, 294-298, 510/439-450; D28/4, 8.1-8.2; D6/499; D9/707, 710

See application file for complete search history.

(56) **References Cited**

U.S. PATENT DOCUMENTS

D446,348 S *	8/2001	Beaujean	D28/8.1
D447,836 S *	9/2001	Beaujean	D28/8.1
D451,242 S *	11/2001	Neergaard	D28/8.1
D452,933 S *	1/2002	Friesenhahn	D28/8.1
D474,857 S *	5/2003	McLeish	D28/8.1

D505,516 S *	5/2005	McLeish	D28/8.1
D549,870 S *	8/2007	McCarthy	D28/8.1
D562,496 S *	2/2008	Wiedemann	D28/8.1
D563,598 S *	3/2008	Wiedemann	D28/8.1
D566,893 S *	4/2008	McCarthy	D28/8.1
D566,894 S *	4/2008	Wiedemann	D28/8.1
D583,180 S *	12/2008	Haile	D6/601
D629,240 S *	12/2010	Egan	D6/601
2003/0119707 A1 *	6/2003	Kosub et al.	510/446
2009/0018042 A1 *	1/2009	Wiedemann	510/298
2010/0021534 A1 *	1/2010	Duffield et al.	510/445

FOREIGN PATENT DOCUMENTS

EP	001219224-0000	6/2010
EP	001219224-0001	6/2010
EP	001219224-0002	6/2010
EP	001219224-0003	6/2010
EP	001219224-0004	6/2010
EP	001219224-0005	6/2010
EP	001219224-0006	6/2010
EP	001219224-0007	6/2010
EP	001219224-0008	6/2010
EP	001219224-00010	6/2010
EP	001219224-00011	6/2010
EP	001219224-00012	6/2010
EP	001219224-00013	6/2010
EP	001219224-00014	6/2010
EP	001219224-00015	6/2010

* cited by examiner

Primary Examiner — Jennifer Rivard

(74) *Attorney, Agent, or Firm* — Knobbe, Martens, Olson & Bear, LLP

(57) **CLAIM**

The ornamental design for a capsule containing washing products, as shown and described.

DESCRIPTION

FIG. 1 is a front, right side, and top side perspective view of an embodiment of a capsule containing washing products showing a circular insert and washing powder of the present design;

FIG. 2 is a top side plan view of the capsule containing washing products of FIG. 1;

FIG. 3 is a bottom side plan view of the capsule containing washing products of FIG. 1;

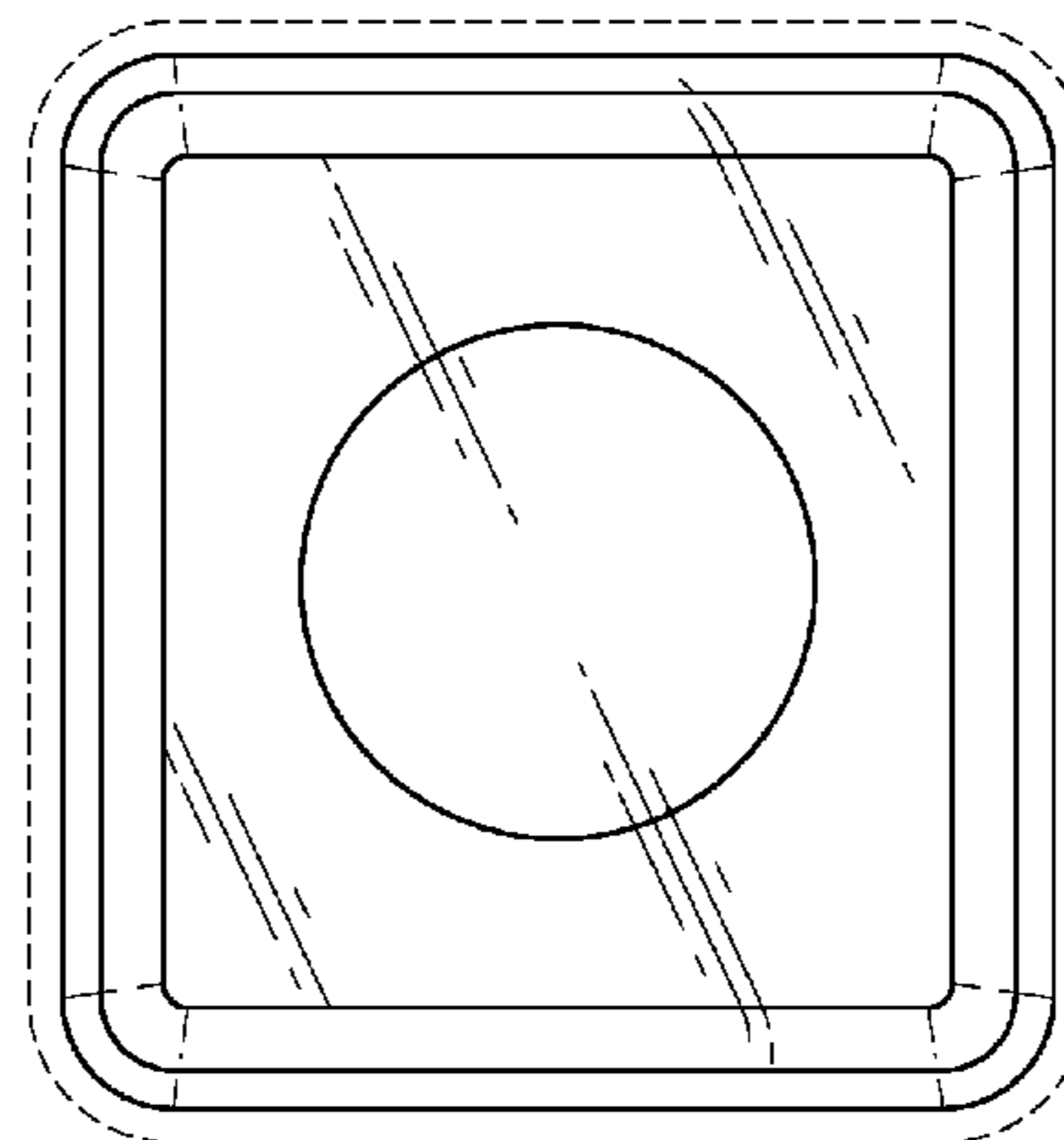
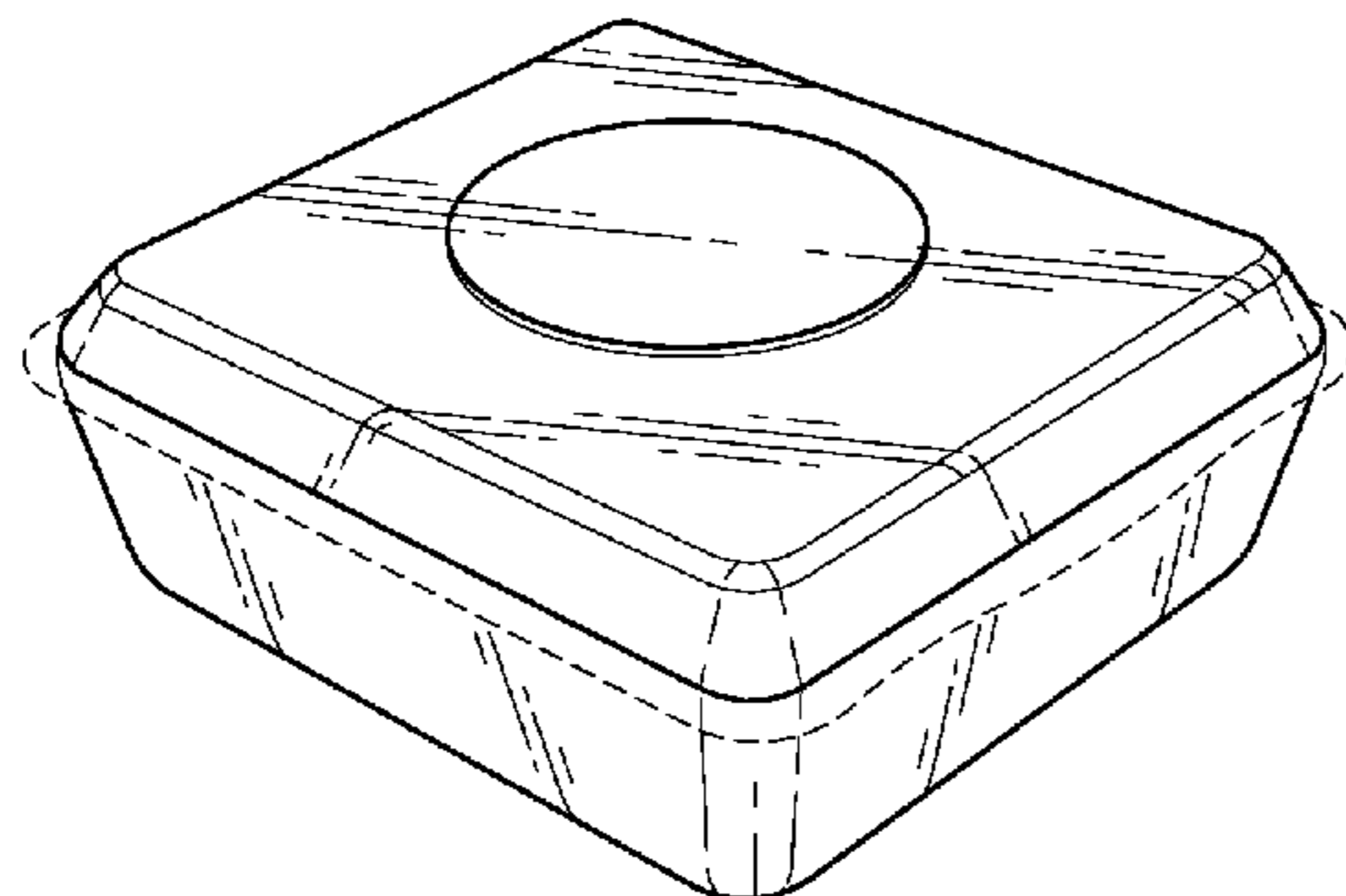


FIG. 4 is a right side elevational view of the capsule containing washing products of FIG. 1, the left side being substantially a mirror image of the right side;

FIG. 5 is a front side elevation view of the capsule containing washing products of FIG. 1, the back side being a mirror image of the right side;

FIG. 6 is a front, right side, and top side perspective view of an embodiment of a capsule containing washing products showing a circular insert of a first color and washing powder of a second color of the present design;

FIG. 7 is a top side plan view of the capsule containing washing products of FIG. 6;

FIG. 8 is a bottom side plan view of the capsule containing washing products of FIG. 6;

FIG. 9 is a right side elevational view of the capsule containing washing products of FIG. 6, the left side being a mirror image of the right side;

FIG. 10 is a front side elevational view of the capsule containing washing products of FIG. 6, the back side being a mirror image of the front side;

FIG. 11 is a front, right side, and top side perspective view of an embodiment of a capsule containing washing products showing a circular insert of a first color and washing powder of a second color of the present design;

FIG. 12 is a top side plan view of the capsule containing washing products of FIG. 11;

FIG. 13 is a bottom side plan view of the capsule containing washing products of FIG. 11;

FIG. 14 is a right side elevational view of the capsule containing washing products of FIG. 11, the left side being a mirror image of the right side;

FIG. 15 is a front side elevational view of the capsule containing washing products of FIG. 11, the back side being a mirror image of the front side;

FIG. 16 is a front, right side, and top side perspective view of an embodiment of a capsule containing washing products showing a yellow circular insert and blue washing powder of the present design utilizing horizontal solid-line and vertical solid-line hatching to denote the yellow color of the circular insert and horizontal solid-line hatching to denote the blue color of the washing powder;

FIG. 17 is a top side plan view of the capsule containing washing products of FIG. 16 utilizing horizontal solid-line and vertical solid-line hatching to denote the yellow color of the circular insert and horizontal solid-line hatching to denote the blue color of the washing powder;

FIG. 18 is a bottom side plan view of the capsule containing washing products of FIG. 16 utilizing horizontal solid-line hatching to denote the blue color of the washing powder;

FIG. 19 is a right side elevational view of the capsule containing washing products of FIG. 16, the left side being a mirror image of the right side utilizing horizontal solid-line and vertical solid-line hatching to denote the yellow color of the circular insert and horizontal solid-line hatching to denote the blue color of the washing powder; and,

FIG. 20 is a front side elevational view of the capsule containing washing products of FIG. 16, the back side being a mirror image of the front side utilizing horizontal solid-line and vertical solid-line hatching to denote the yellow color of the circular insert and horizontal solid-line hatching to denote the blue color of the washing powder.

In the drawings, the broken lines show portions of the capsule containing washing products and form no part of the claimed design.

1 Claim, 8 Drawing Sheets

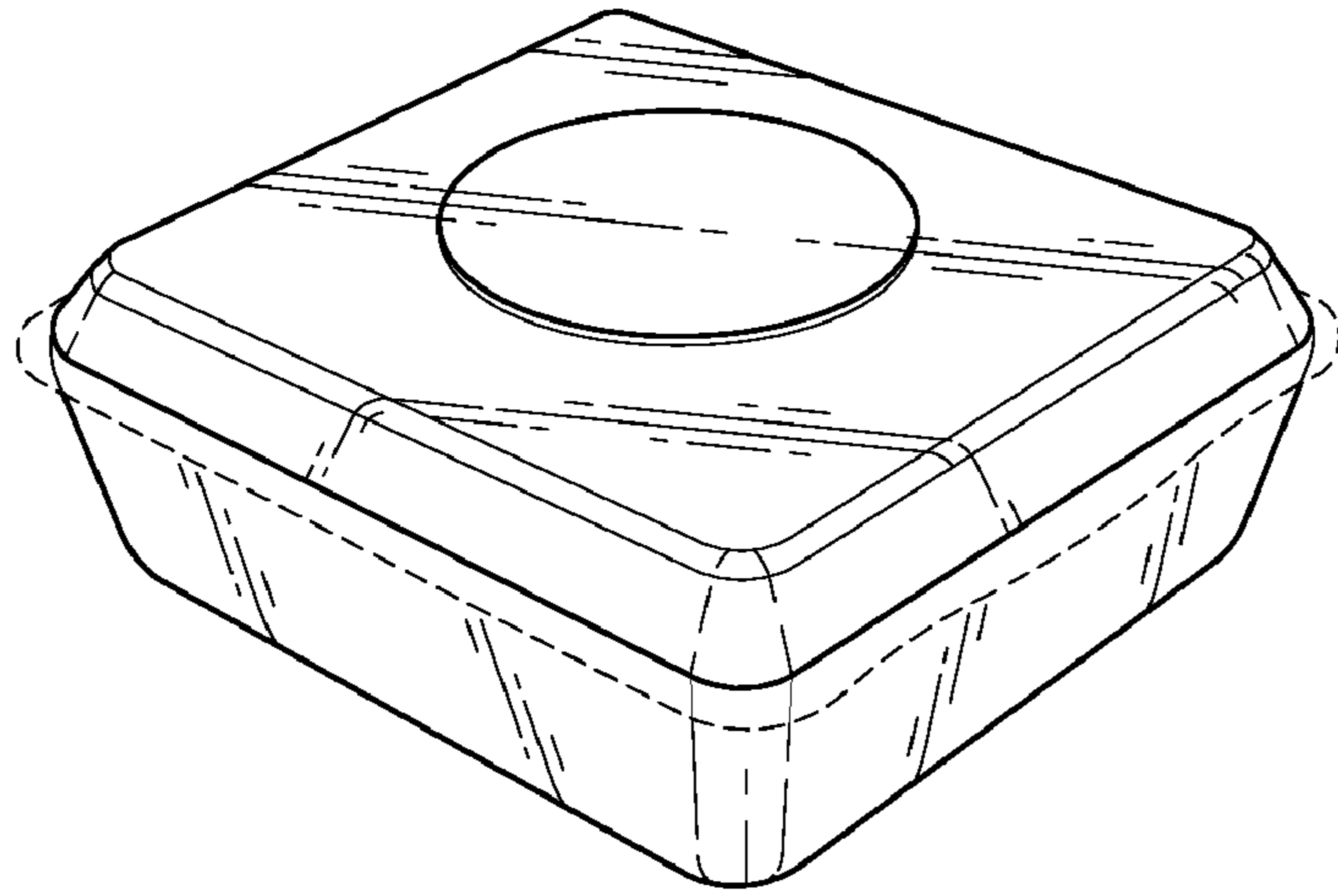


FIG. 1

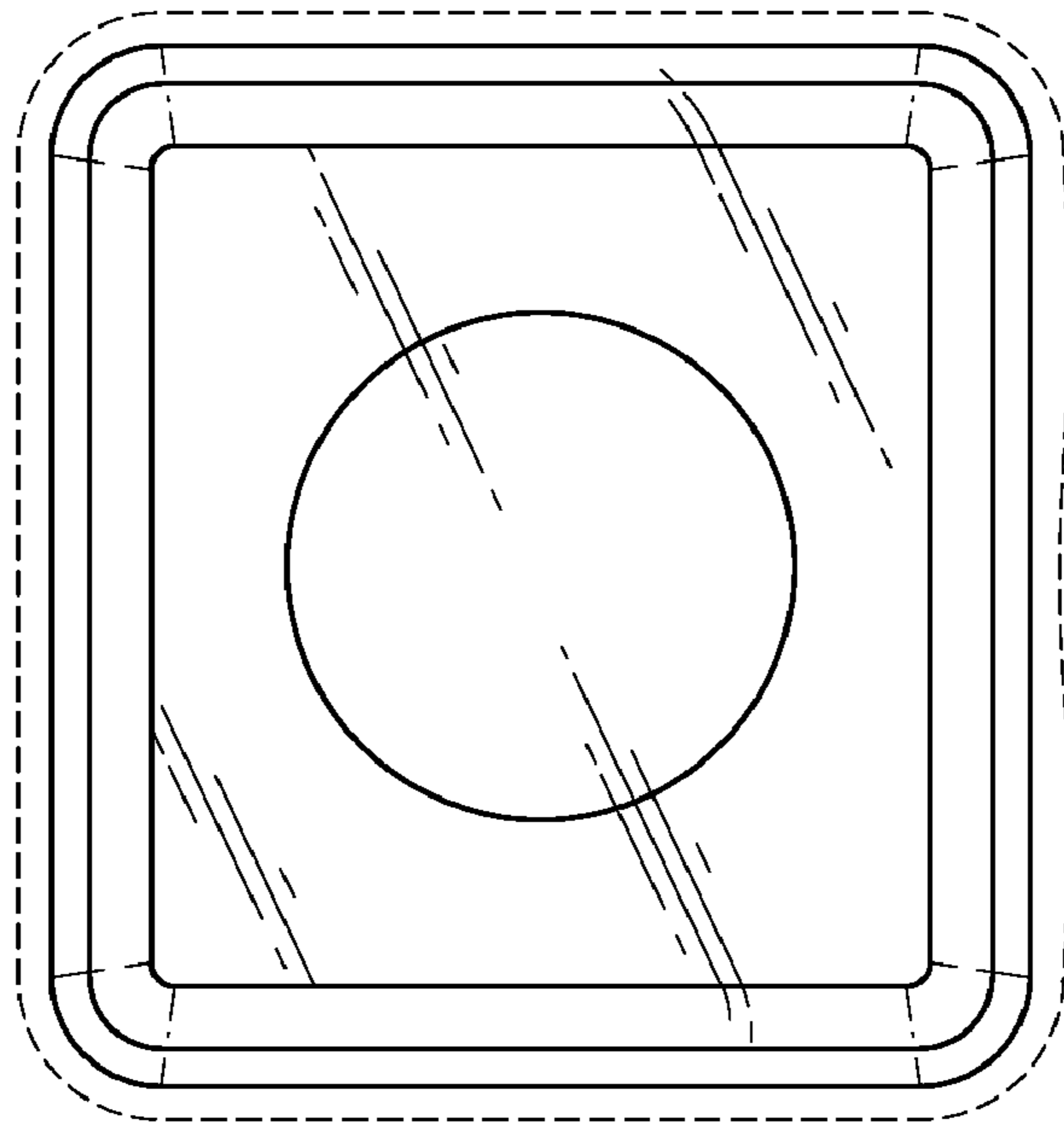


FIG. 2

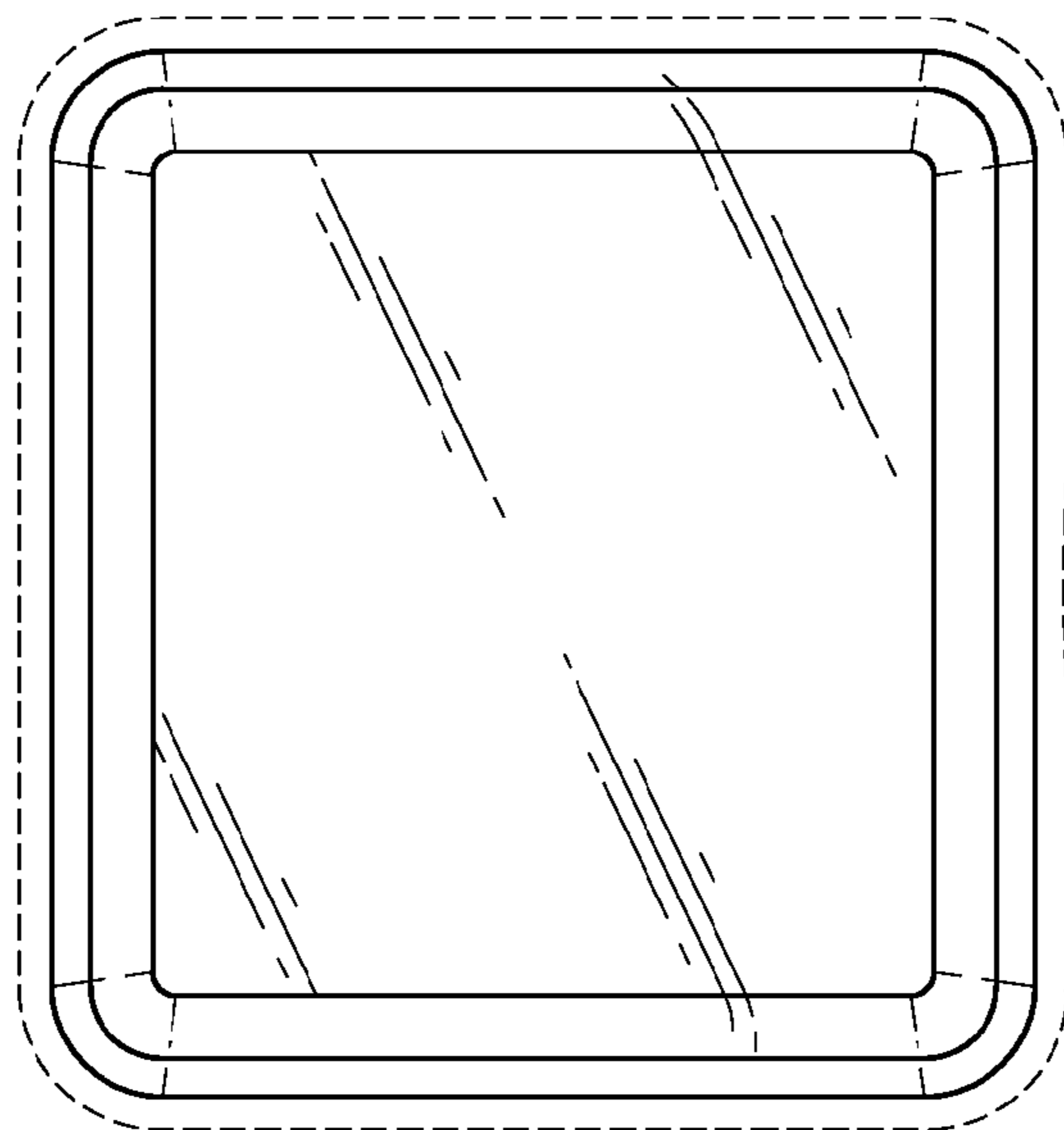


FIG. 3

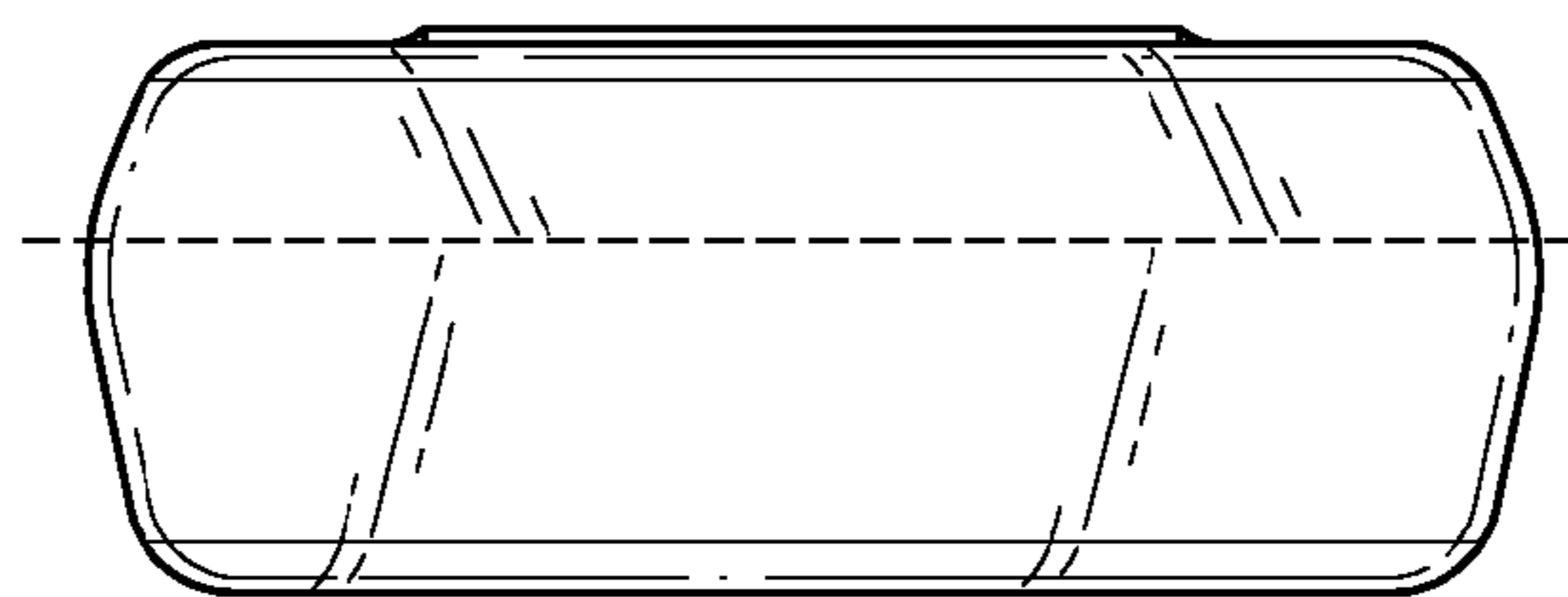


FIG. 4

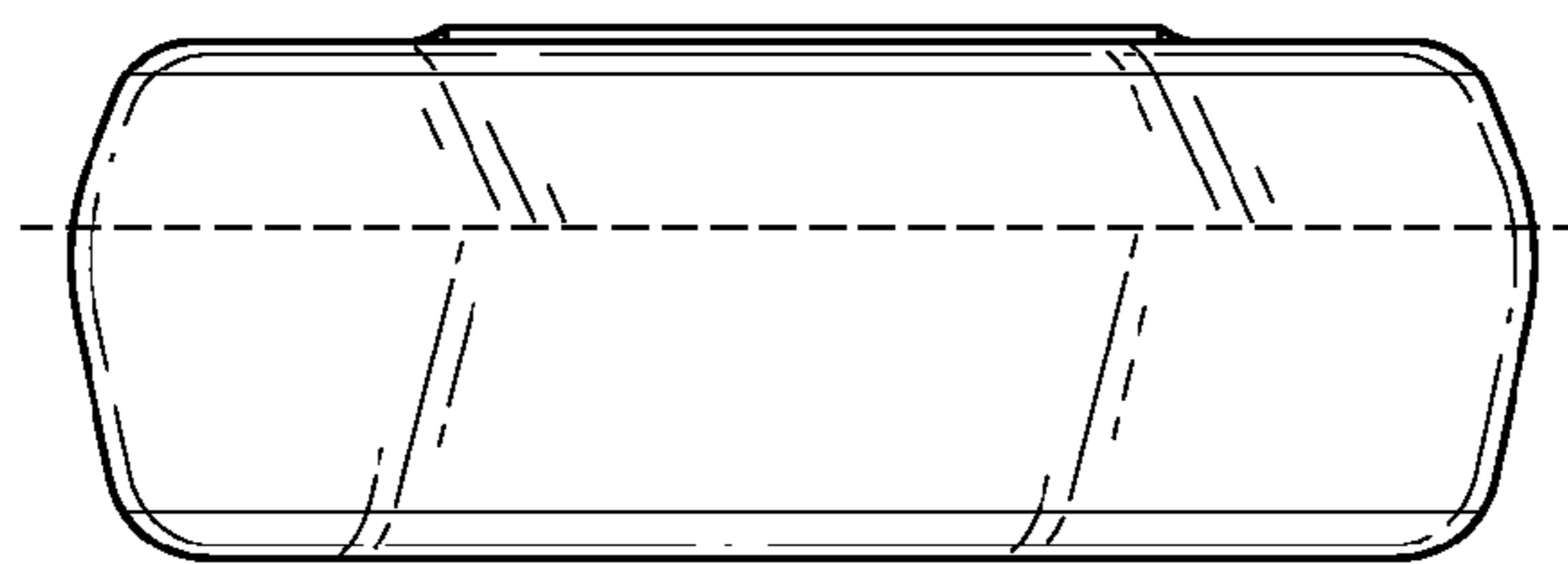


FIG. 5

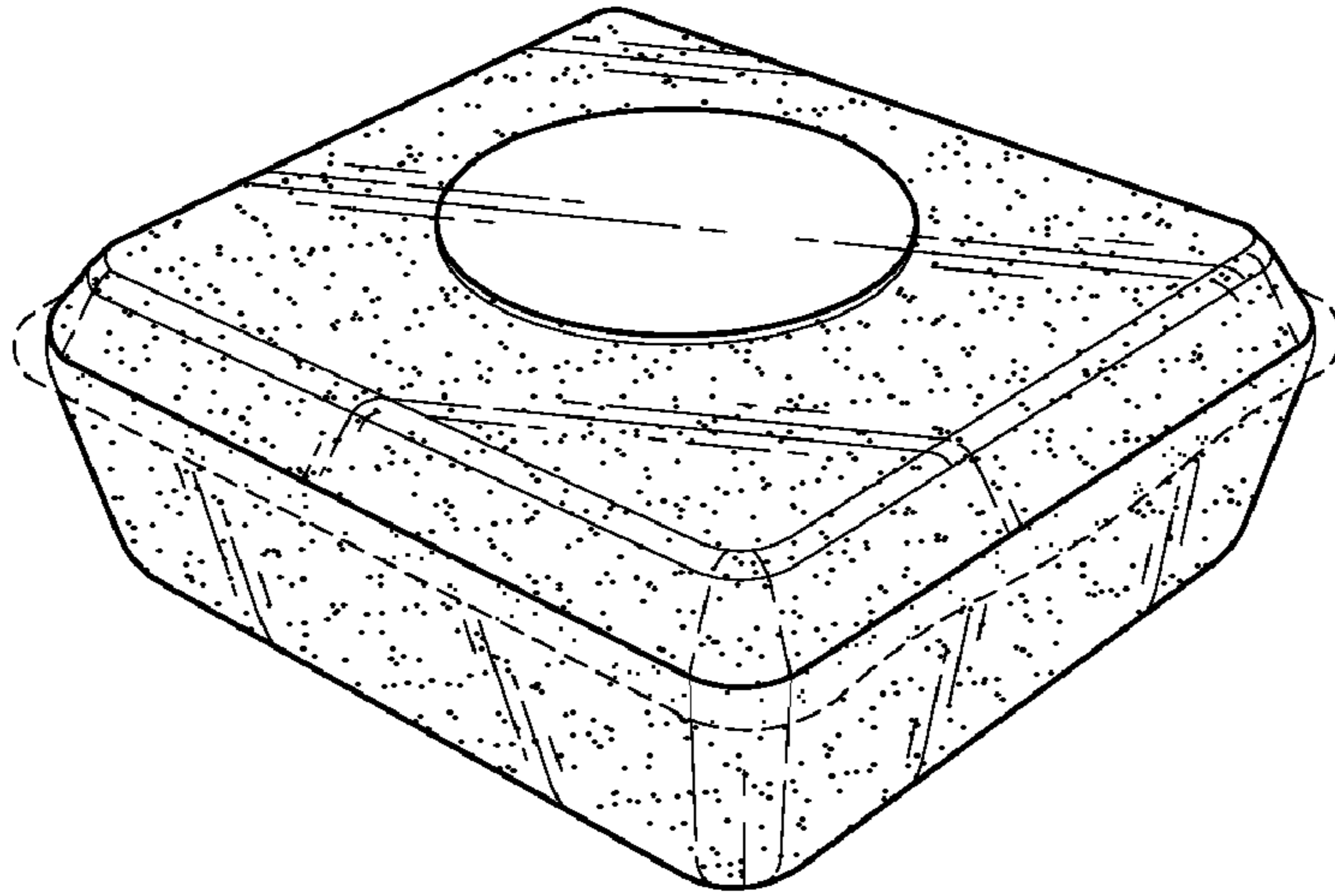


FIG. 6

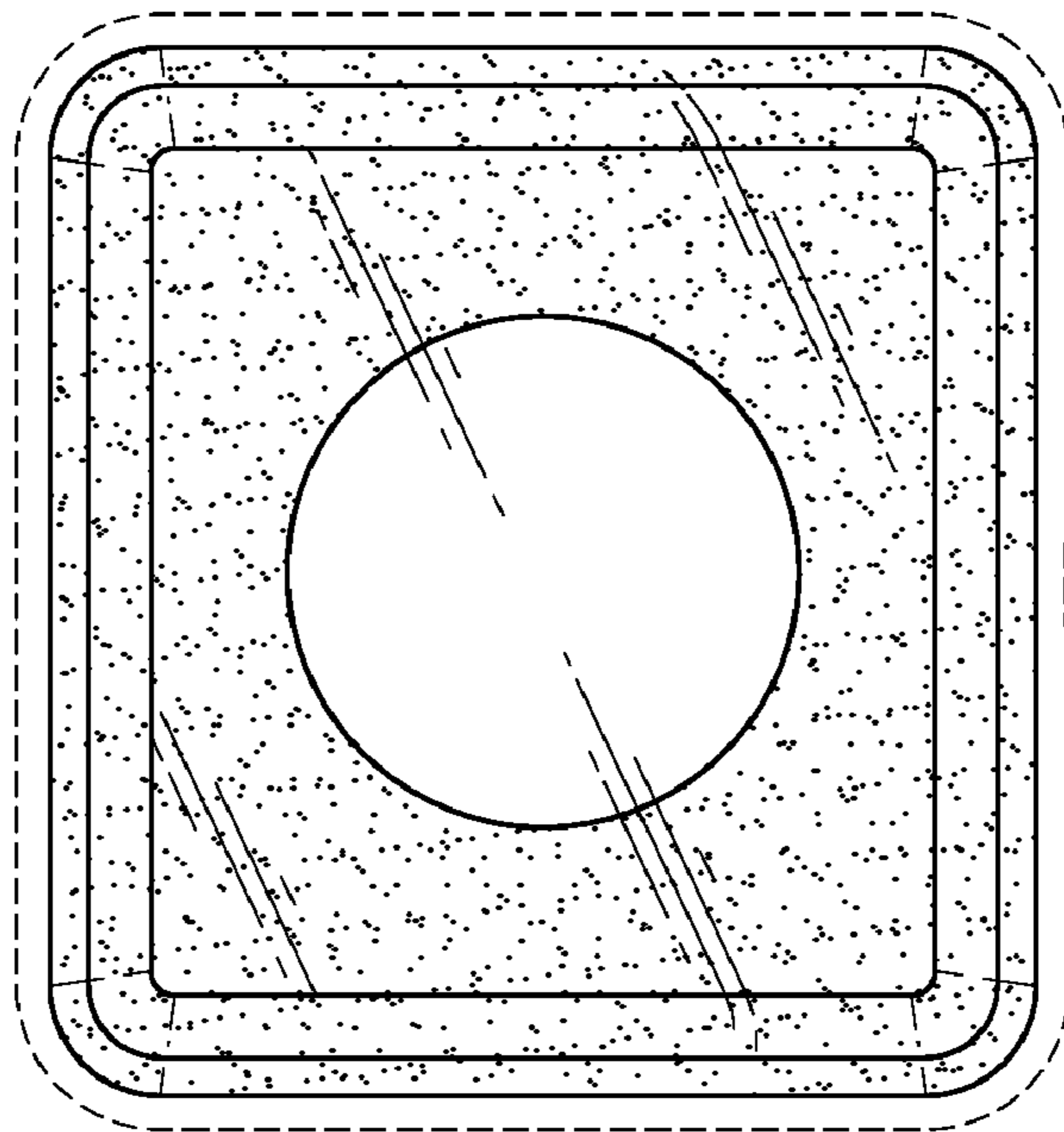


FIG. 7

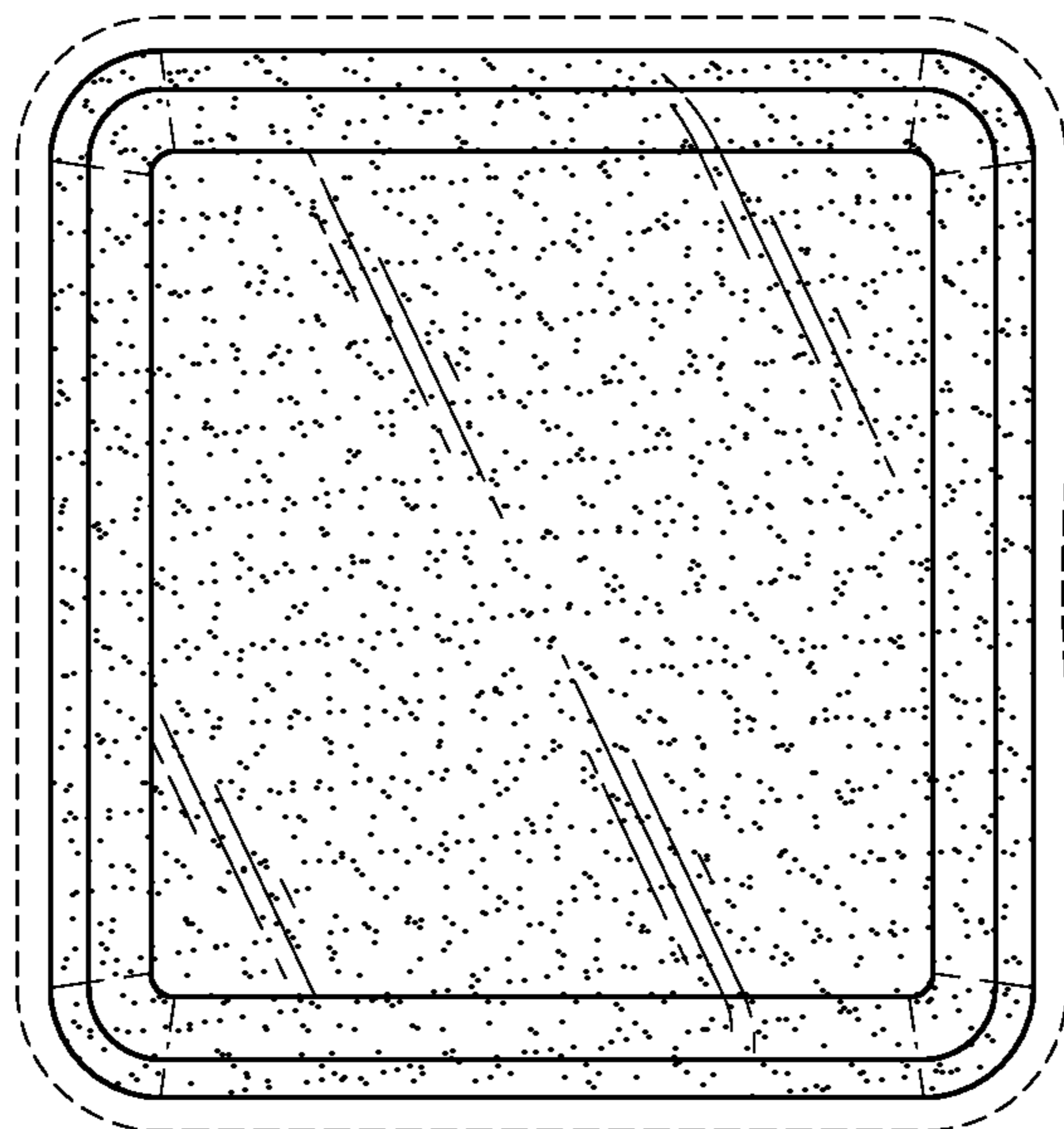


FIG. 8

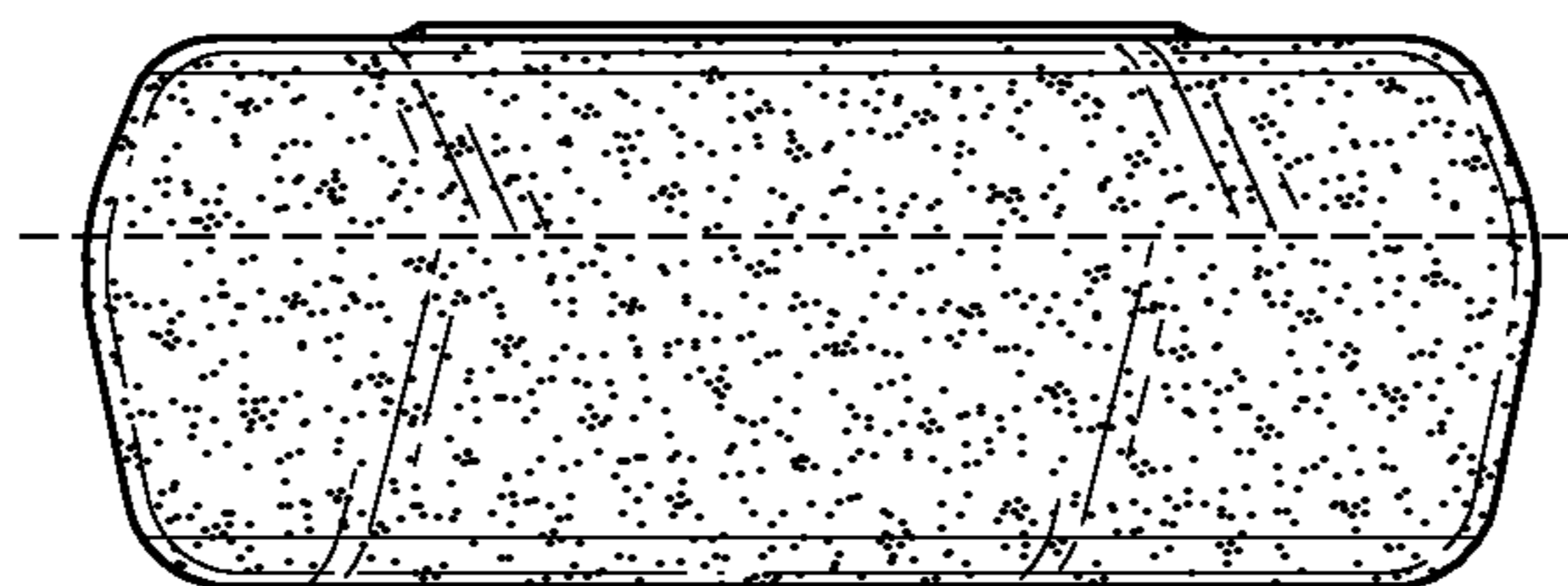


FIG. 9

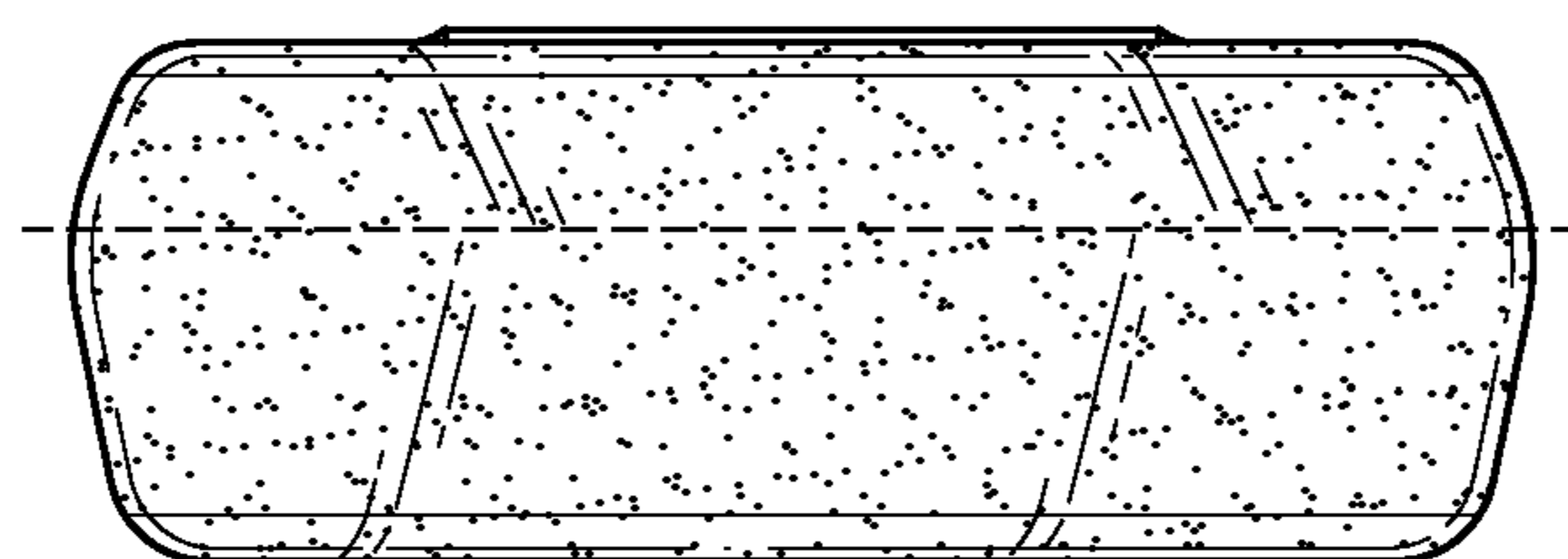


FIG. 10

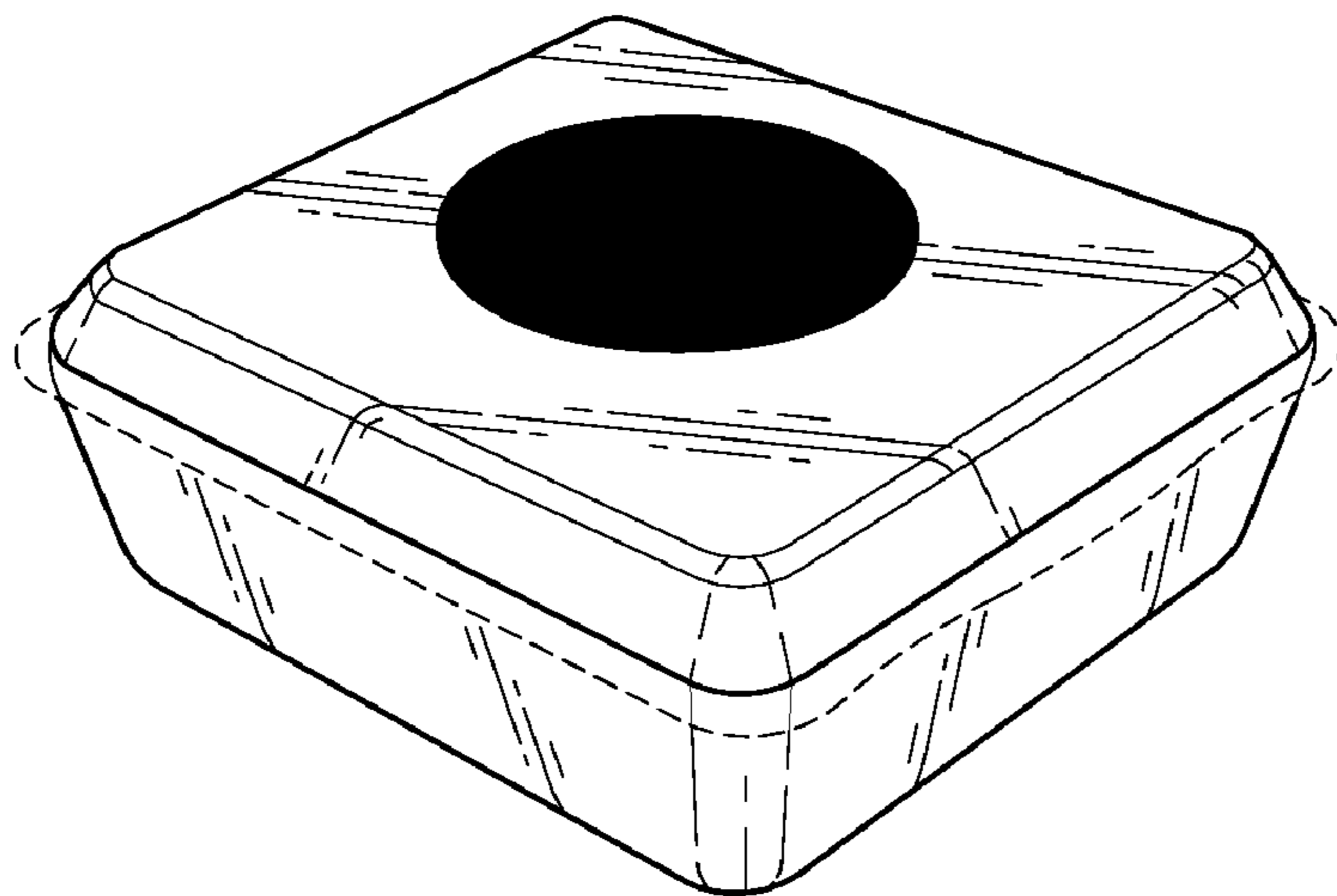


FIG. 11

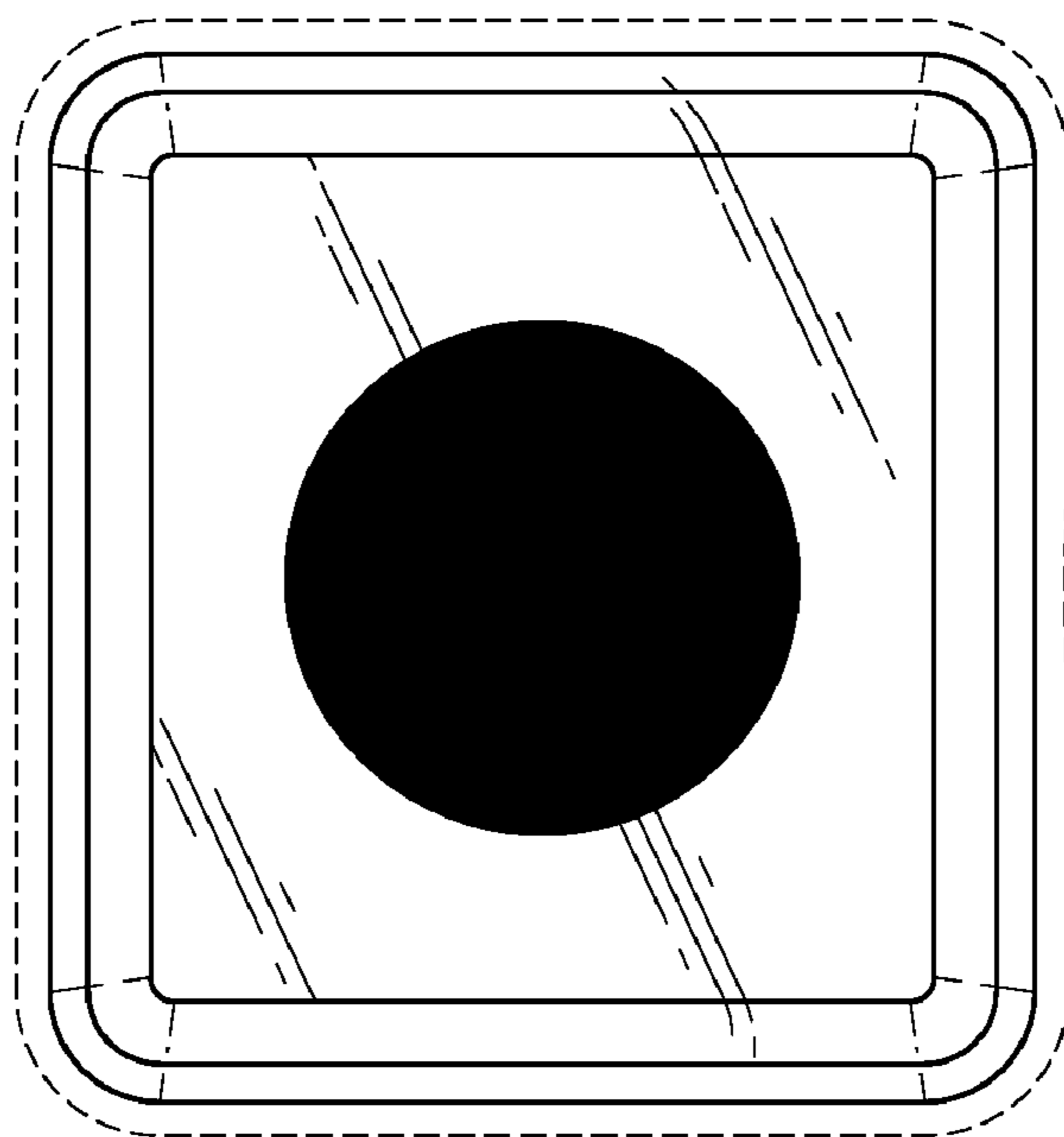


FIG. 12

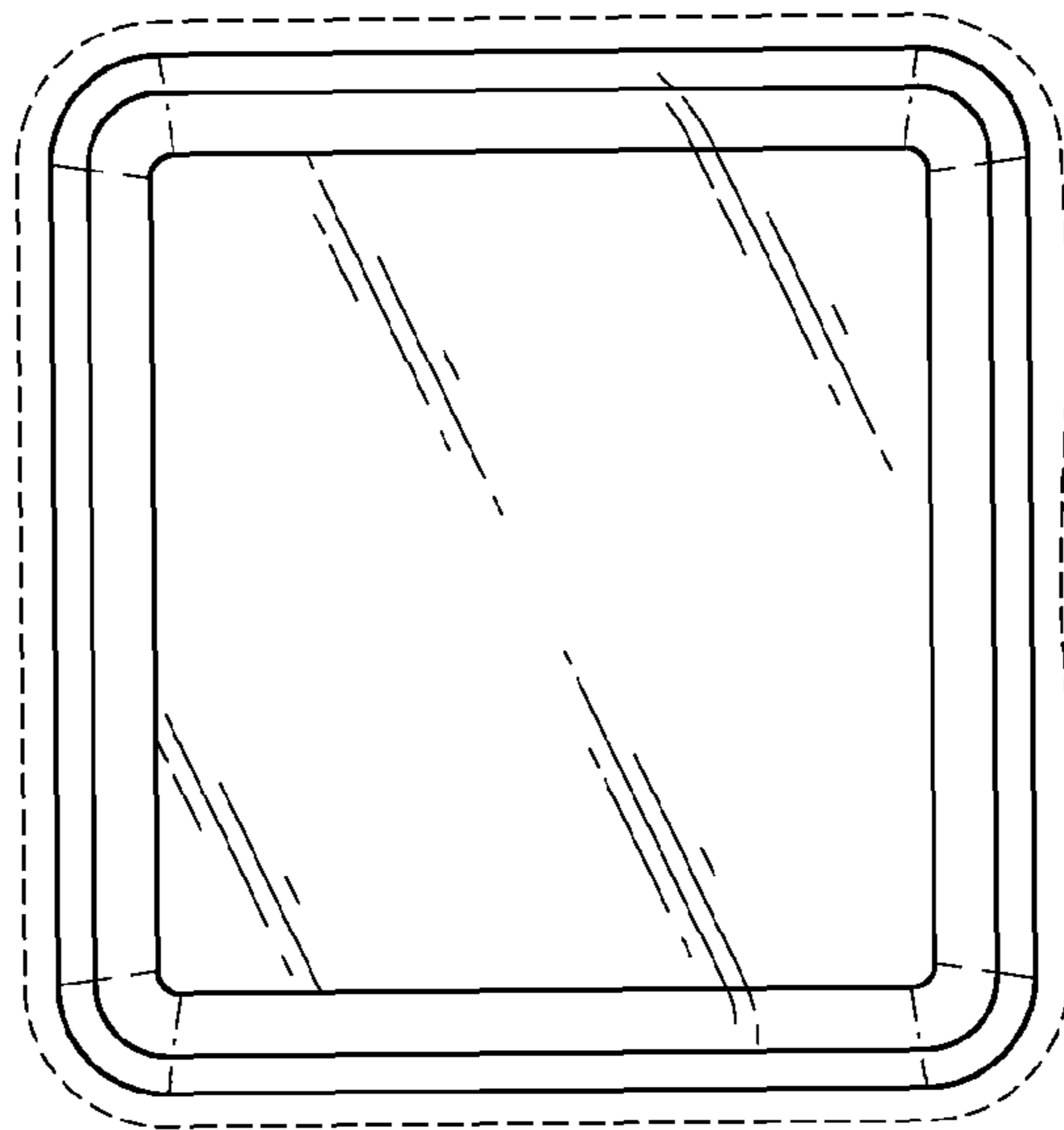


FIG. 13

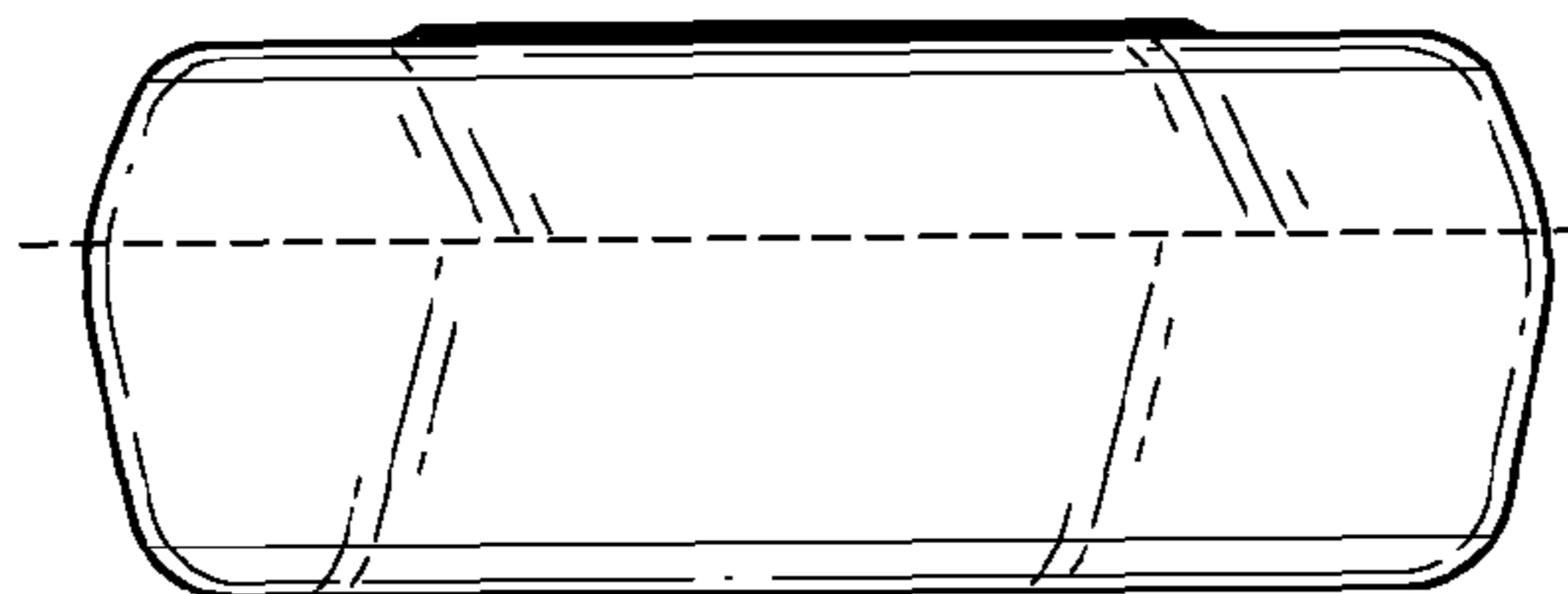


FIG. 14

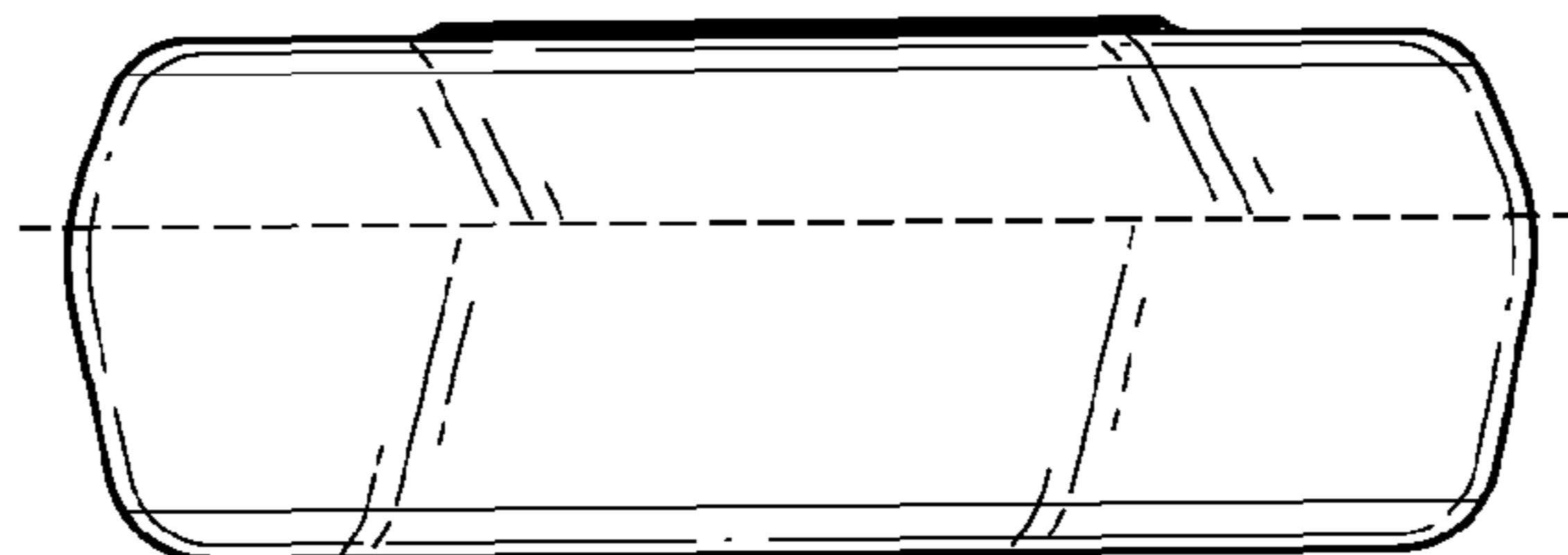


FIG. 15

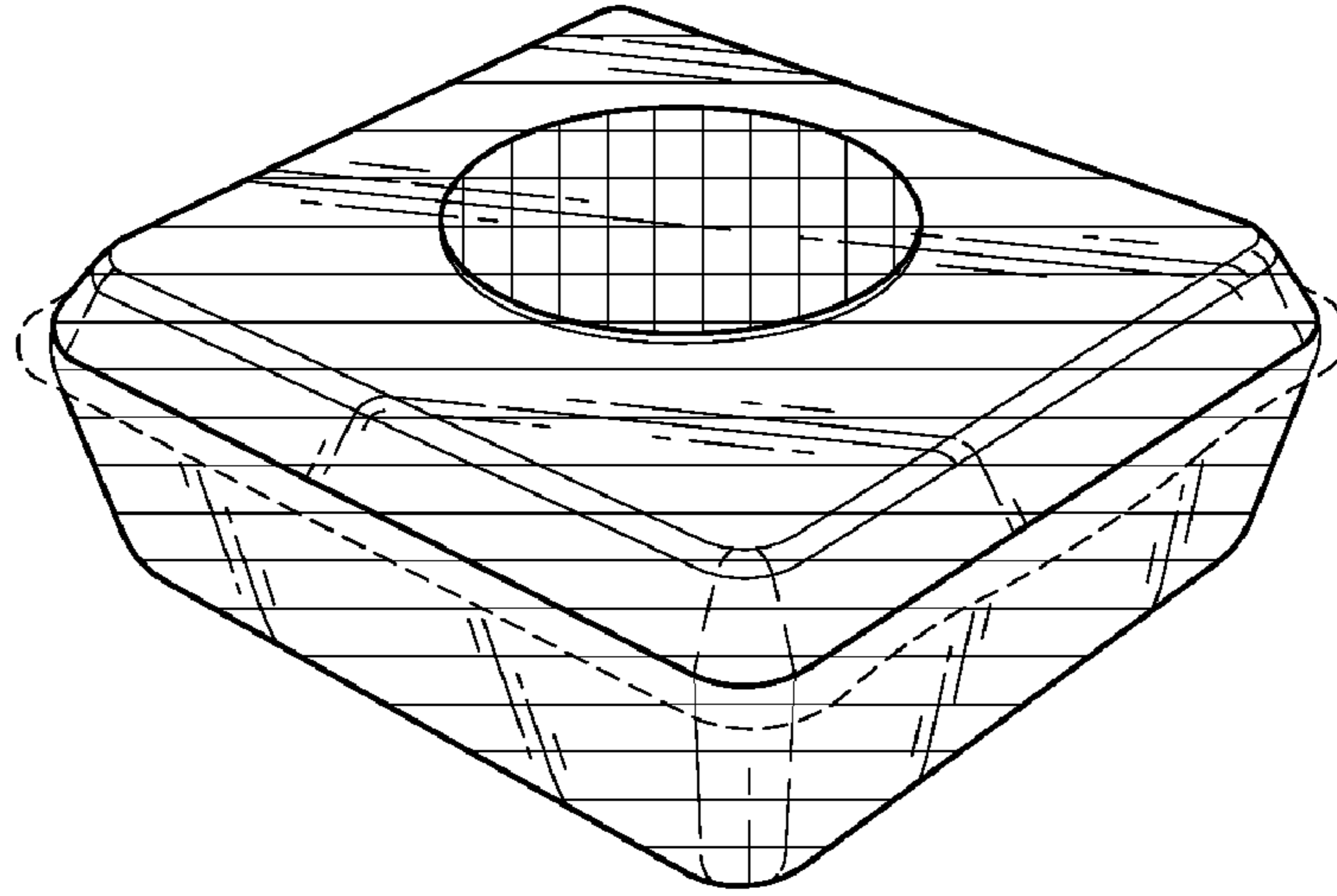


FIG. 16

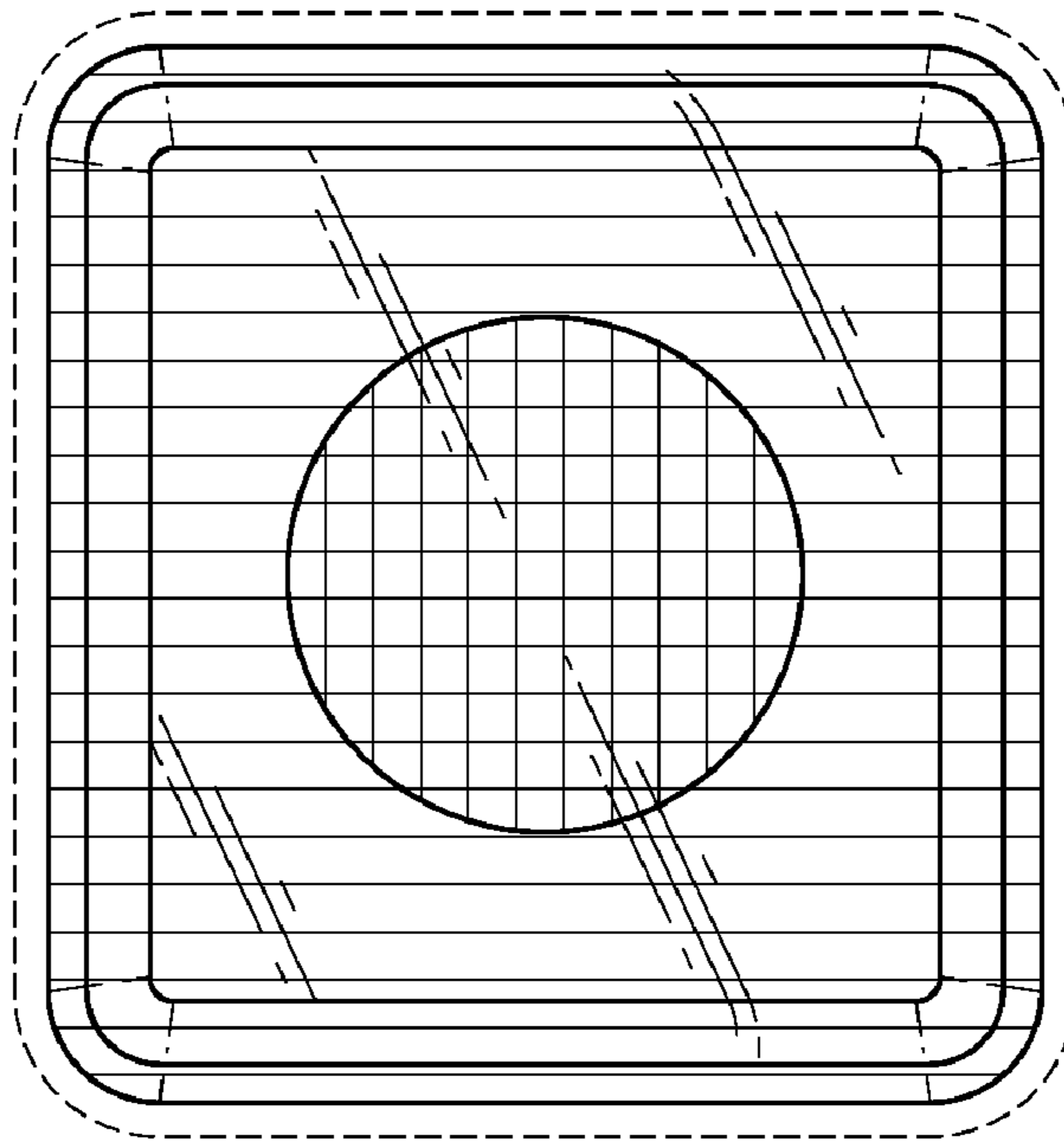


FIG. 17

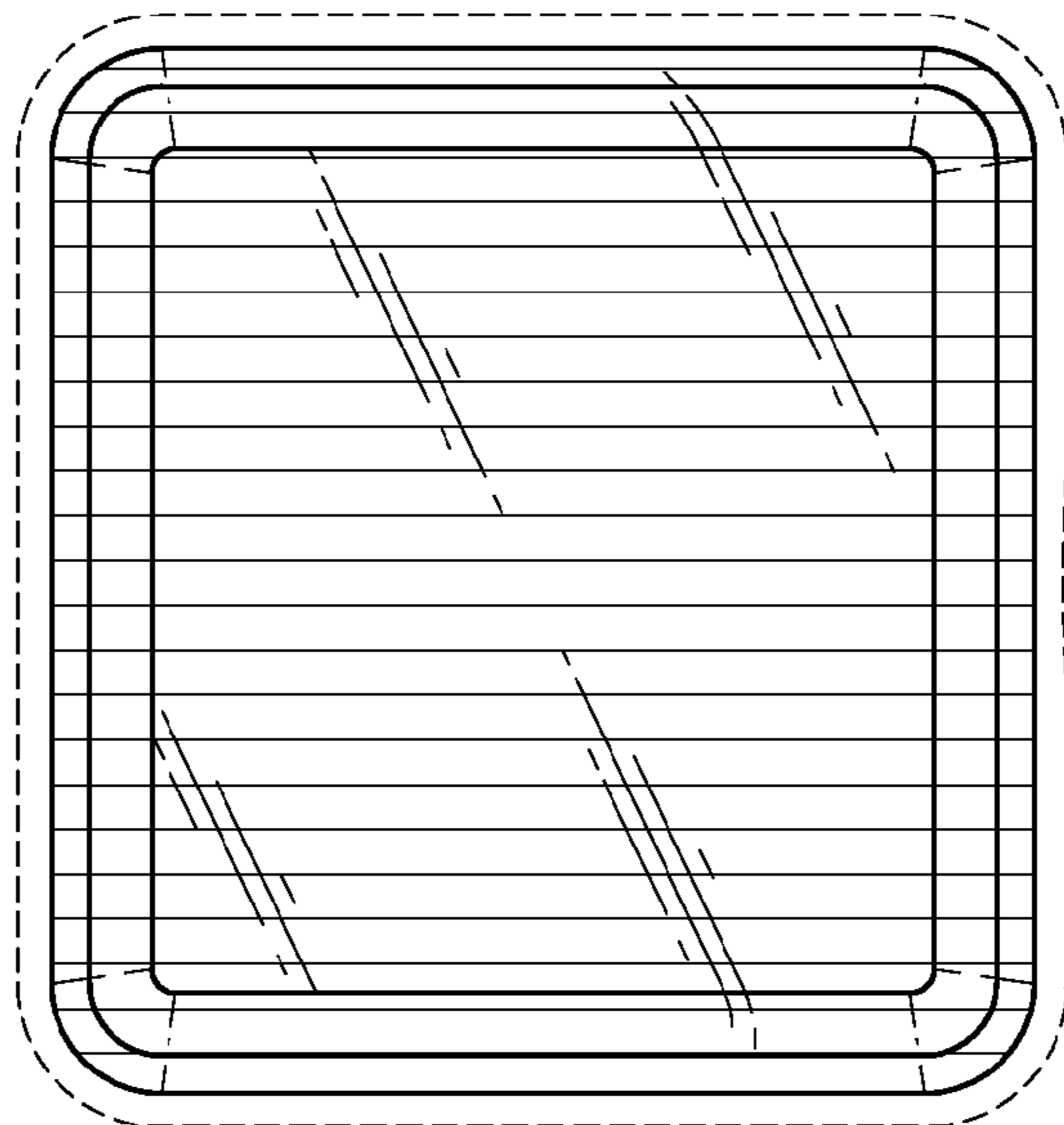


FIG. 18

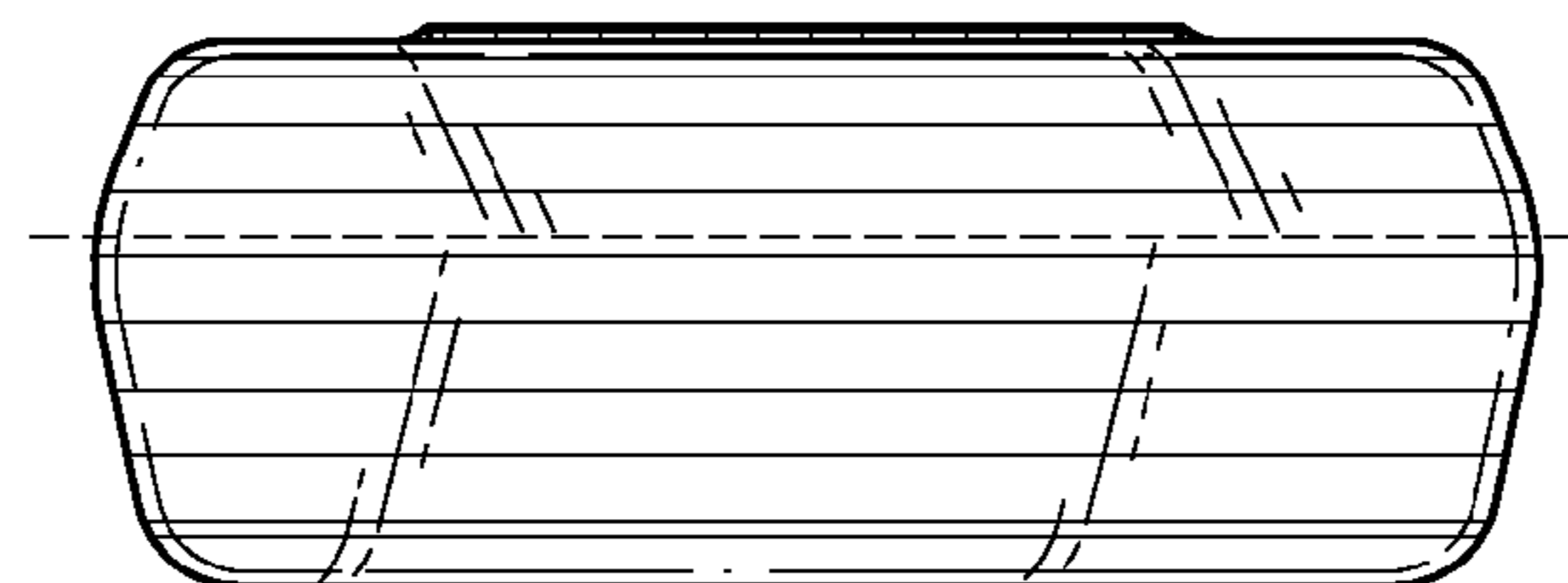


FIG. 19

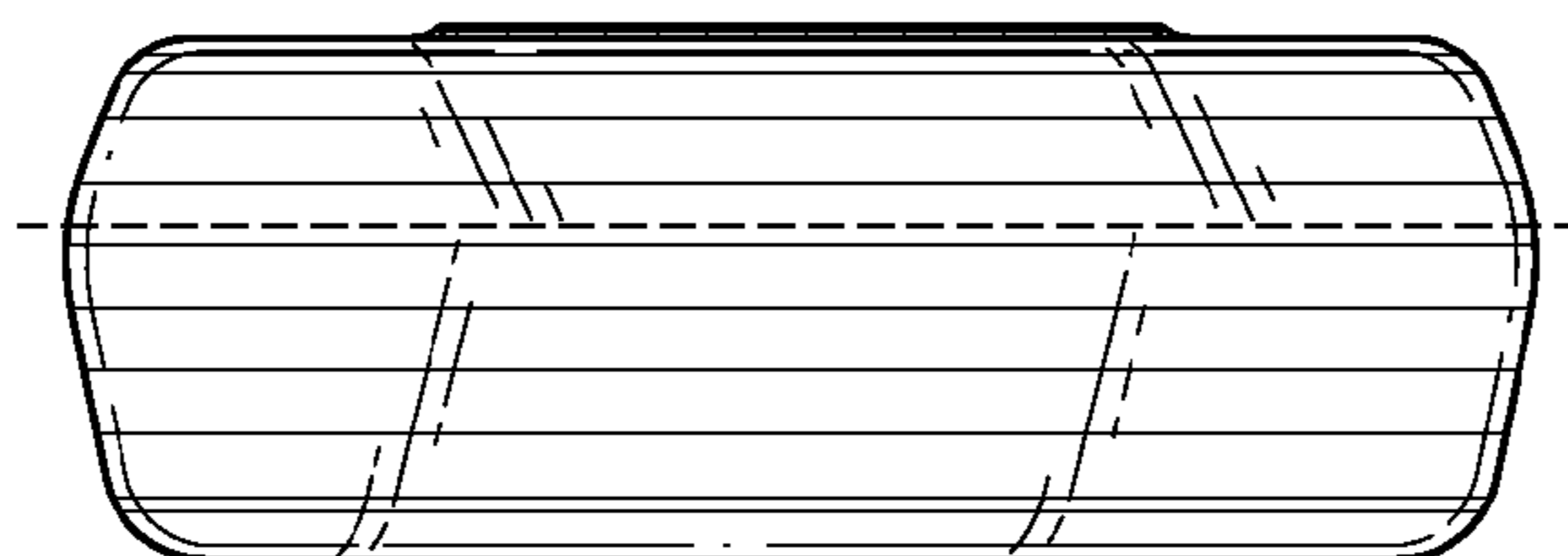


FIG. 20