



US00D652161S

(12) **United States Design Patent**
Perkins

(10) **Patent No.:** **US D652,161 S**

(45) **Date of Patent:** **** Jan. 10, 2012**

(54) **BOAT RUNNING LIGHT**

(75) Inventor: **Frederick M. Perkins**, Ft. Lauderdale,
FL (US)

(73) Assignee: **Perko, Inc.**, Miami, FL (US)

(**) Term: **14 Years**

(21) Appl. No.: **29/314,377**

(22) Filed: **Mar. 25, 2009**

(51) **LOC (9) Cl.** **26-06**

(52) **U.S. Cl.** **D26/28**

(58) **Field of Classification Search** D26/28-36;
362/459-468, 475-478, 485-487

See application file for complete search history.

(56) **References Cited**

U.S. PATENT DOCUMENTS

| | | | |
|--------------|---------|--------------------------|--------|
| D493,551 S * | 7/2004 | Begin | D26/28 |
| D515,228 S * | 2/2006 | Gebhard et al. | D26/28 |
| D528,230 S * | 9/2006 | Nagano | D26/28 |
| D532,126 S * | 11/2006 | Kinzel et al. | D26/28 |
| D544,113 S * | 6/2007 | Ueda et al. | D26/28 |
| D575,424 S * | 8/2008 | Gebhard et al. | D26/28 |
| D582,084 S * | 12/2008 | Gebhard et al. | D26/28 |
| D597,237 S * | 7/2009 | Kumthampinij et al. | D26/61 |

* cited by examiner

Primary Examiner — Marcus Jackson

(74) *Attorney, Agent, or Firm* — Lawrence E. Laubscher, Sr.;
Lawrence E. Laubscher, Jr.

(57) **CLAIM**

The ornamental design for a boat running light, as shown.

DESCRIPTION

FIG. 1 is a perspective front view of the boat running light of the design of the present invention;

FIG. 2 is a front perspective view of a bow modification of the boat running light of FIG. 1;

FIG. 3 is a top plan view of the bow boat running light of FIG. 2;

FIG. 4 is a perspective view of a starboard modification of the boat running light of FIG. 2;

FIG. 5 is a top plan view of the boat running light of FIG. 4;

FIG. 6 is a front perspective view of a port modification of the boat running light of FIG. 4;

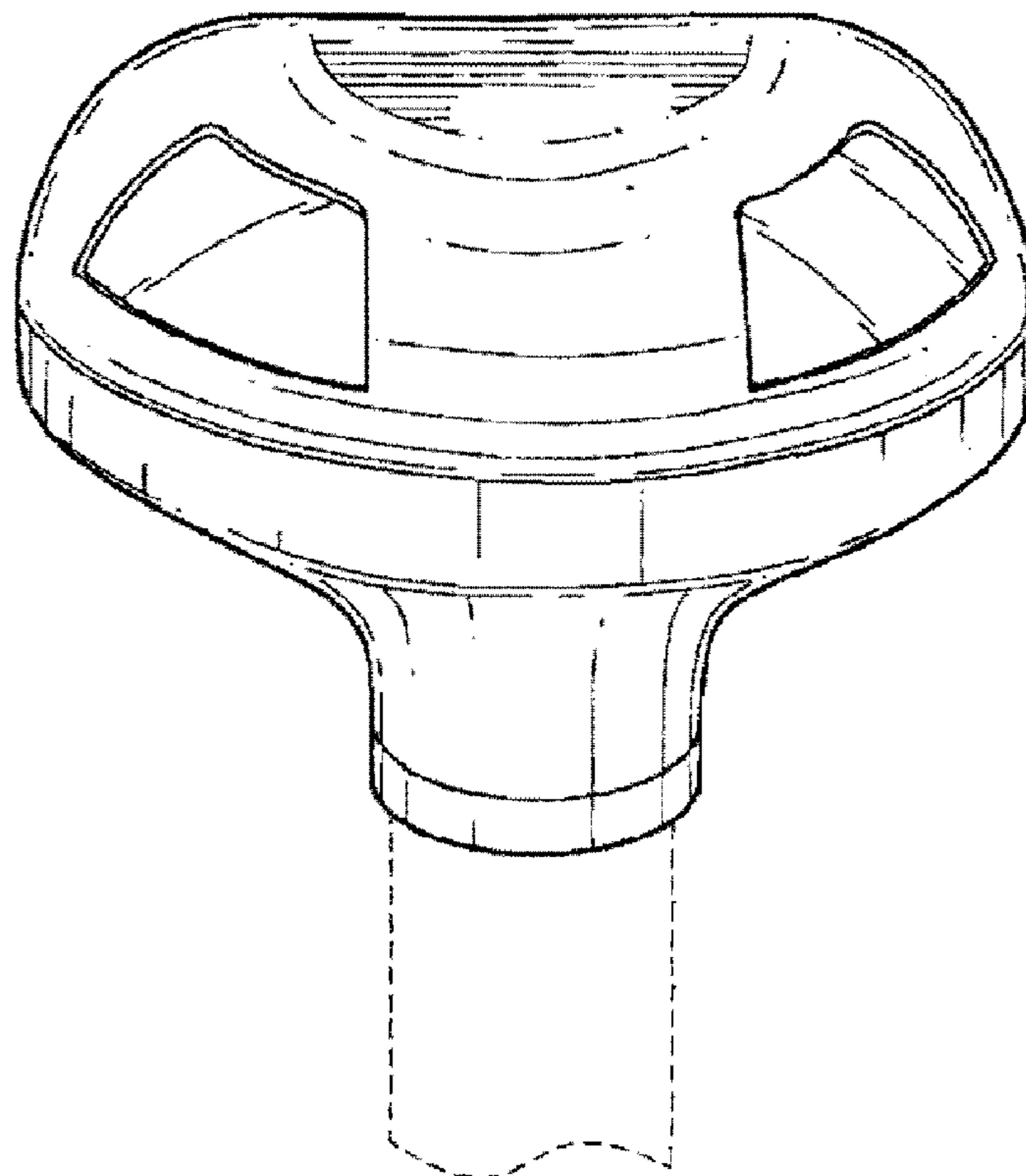
FIG. 7 is a top plan view of the boat running light of FIG. 6;

FIG. 8 is a perspective view of a modification of the boat running light of FIG. 6;

FIG. 9 is a top plan view of the boat running light of FIG. 8; and,

FIG. 10 is a rear elevation view of the boat running light of FIG. 8.

1 Claim, 5 Drawing Sheets



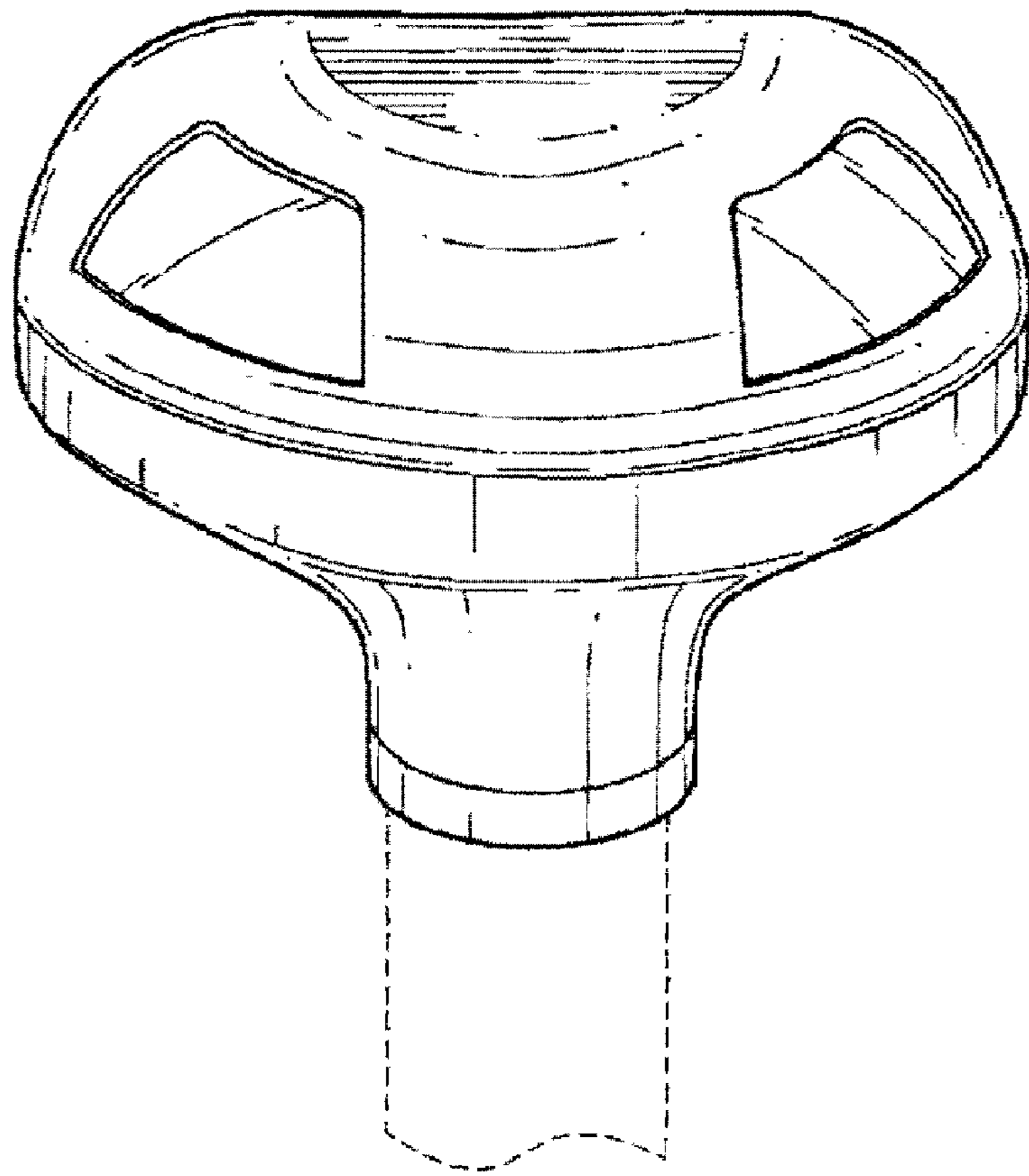


Fig. 1

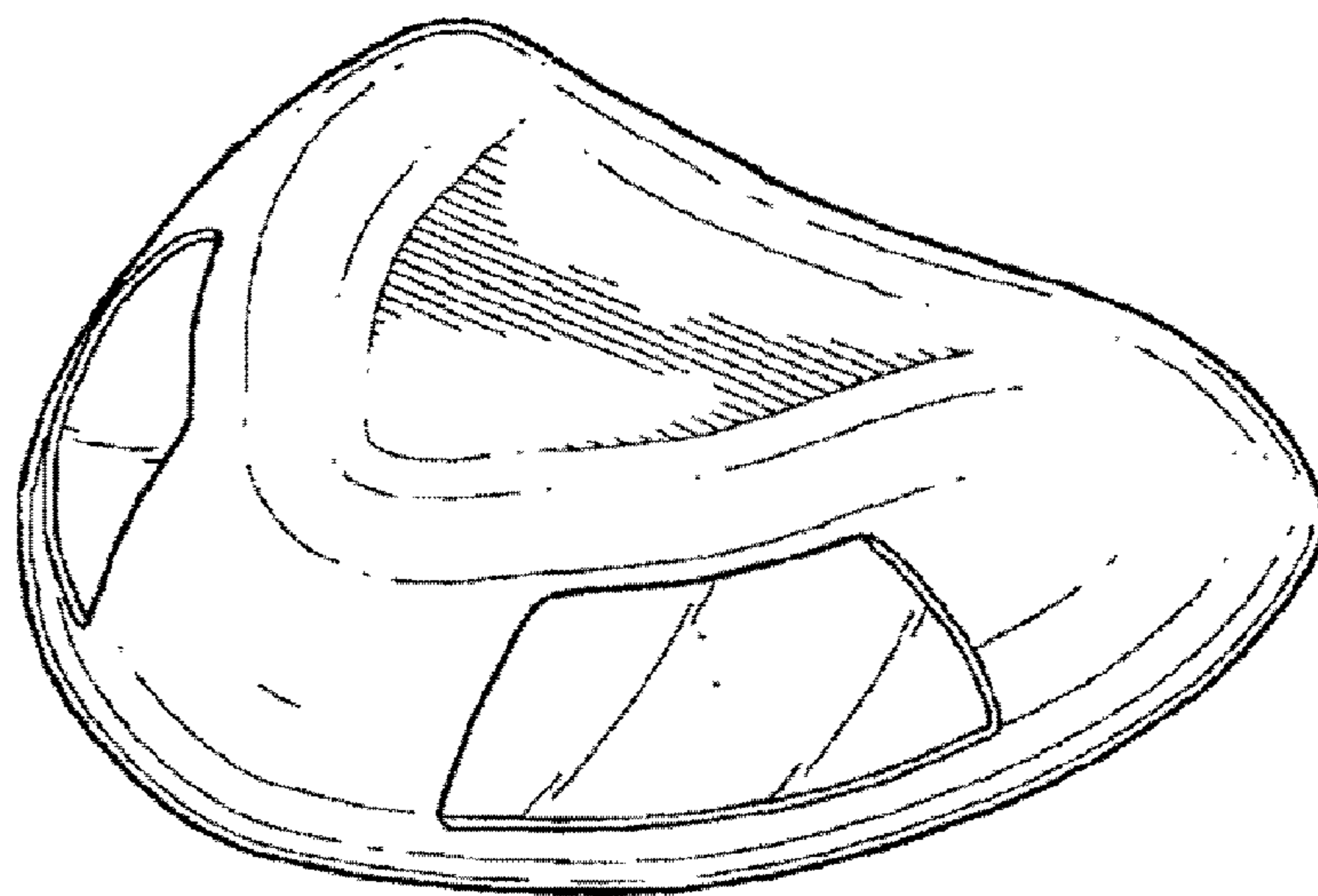


Fig. 2

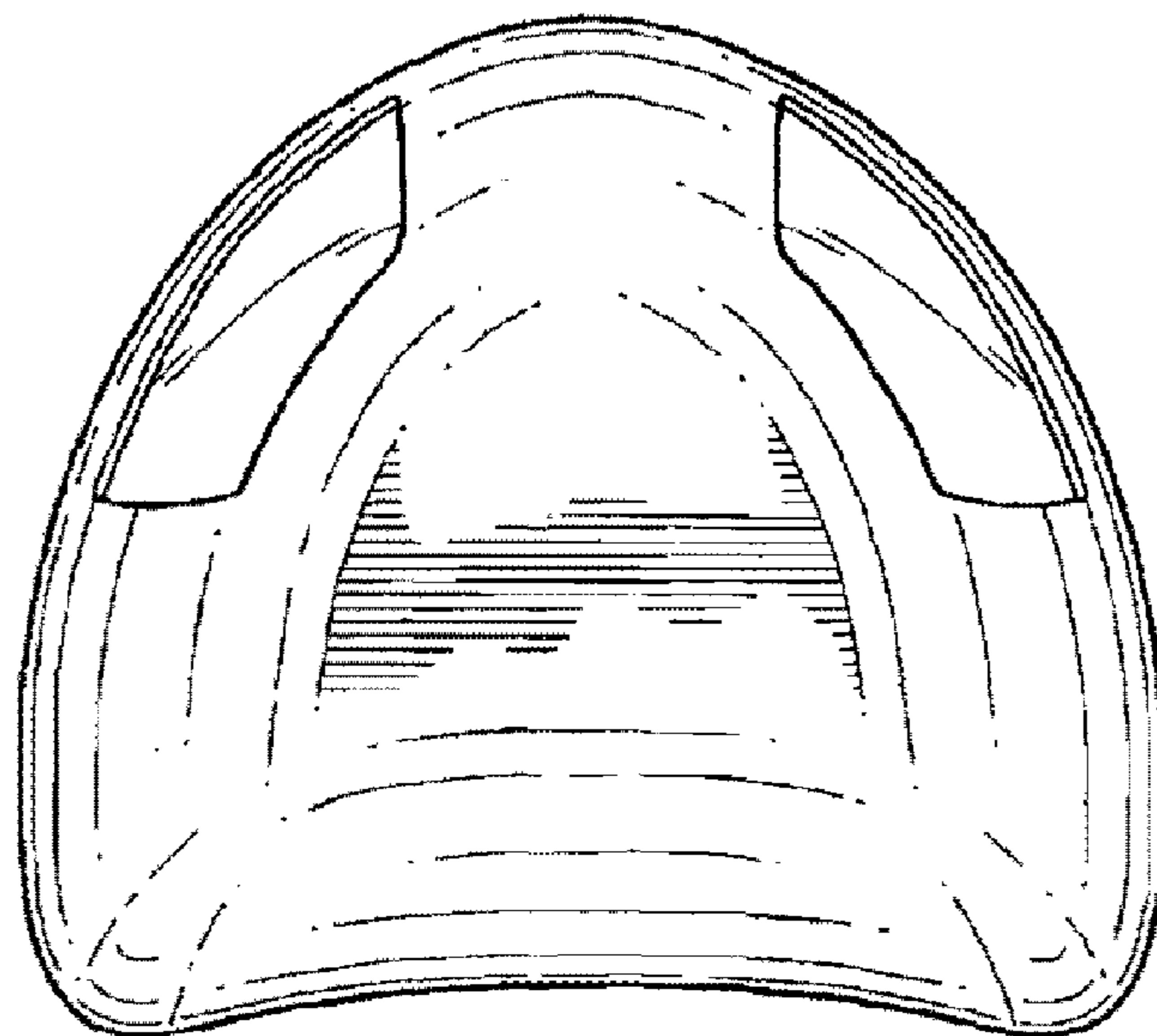


Fig. 3

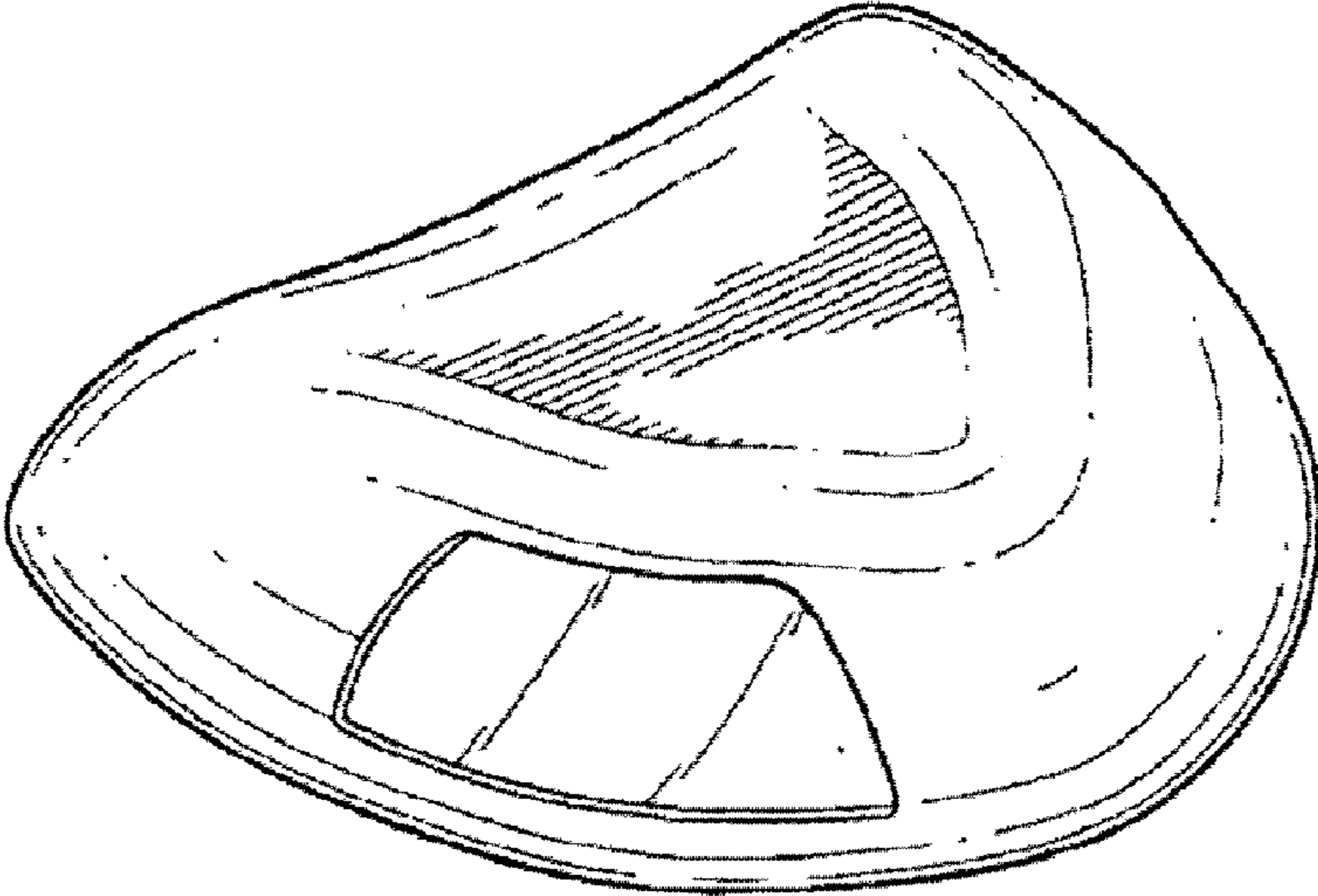


Fig. 4

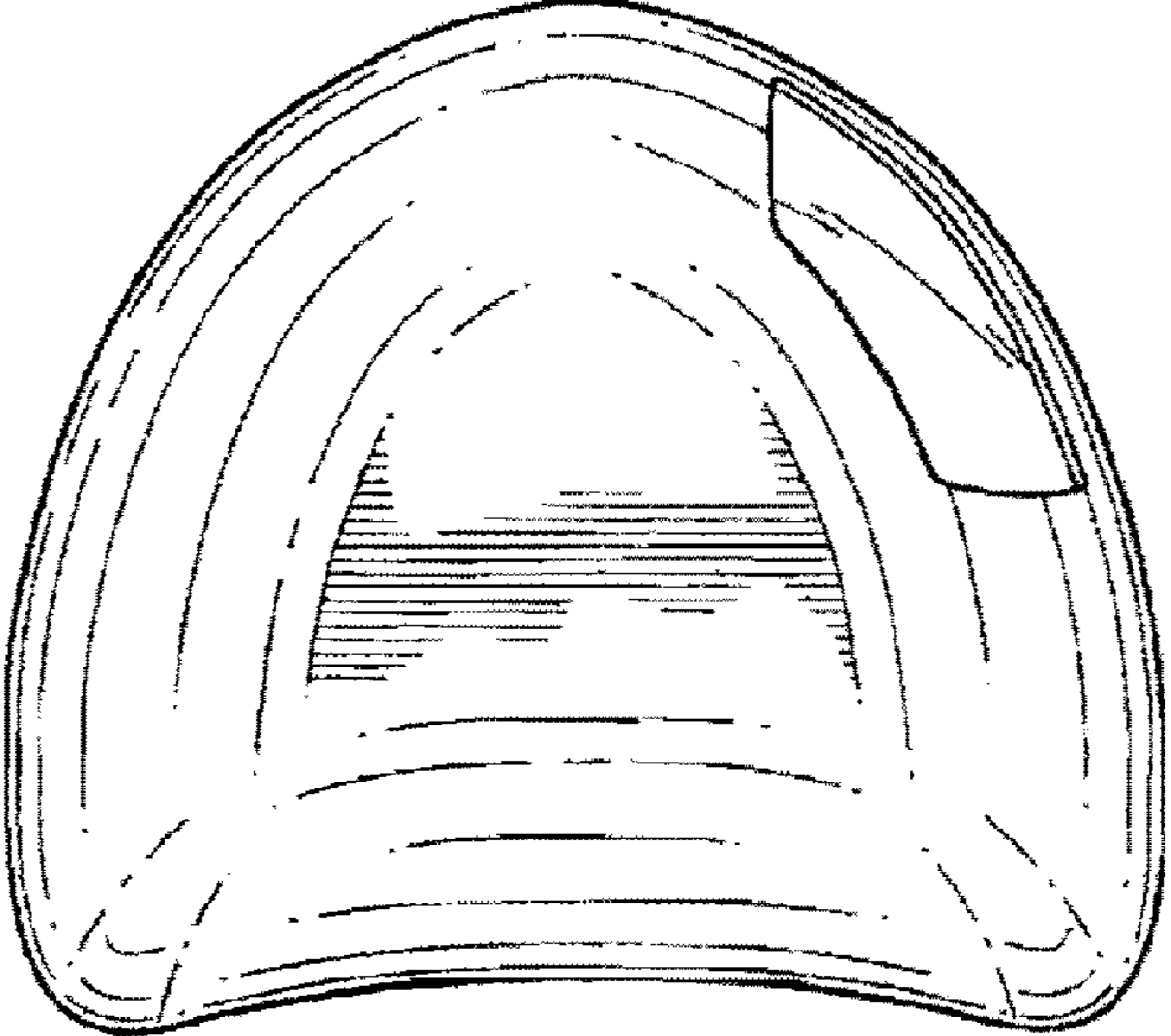


Fig. 5

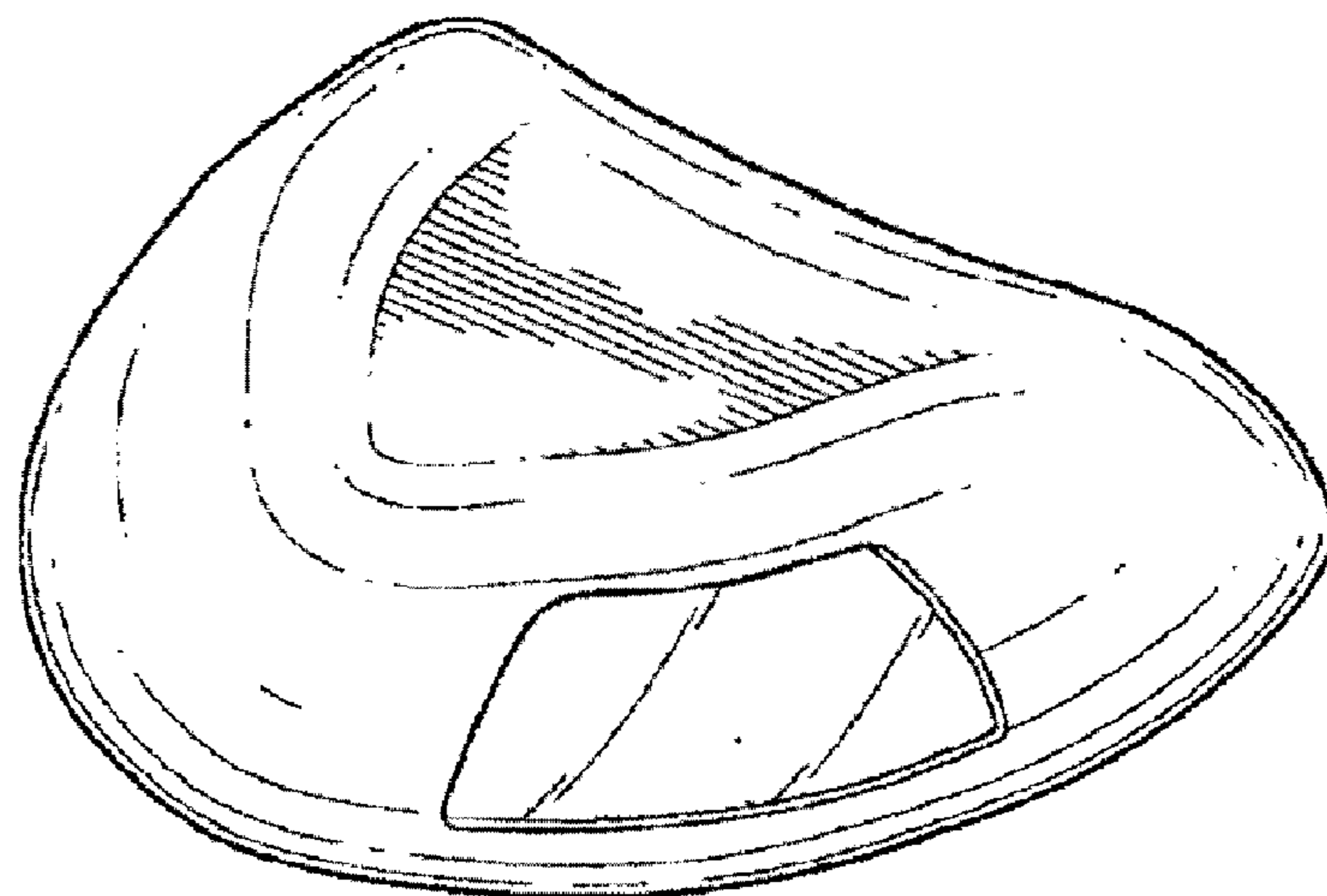


Fig. 6

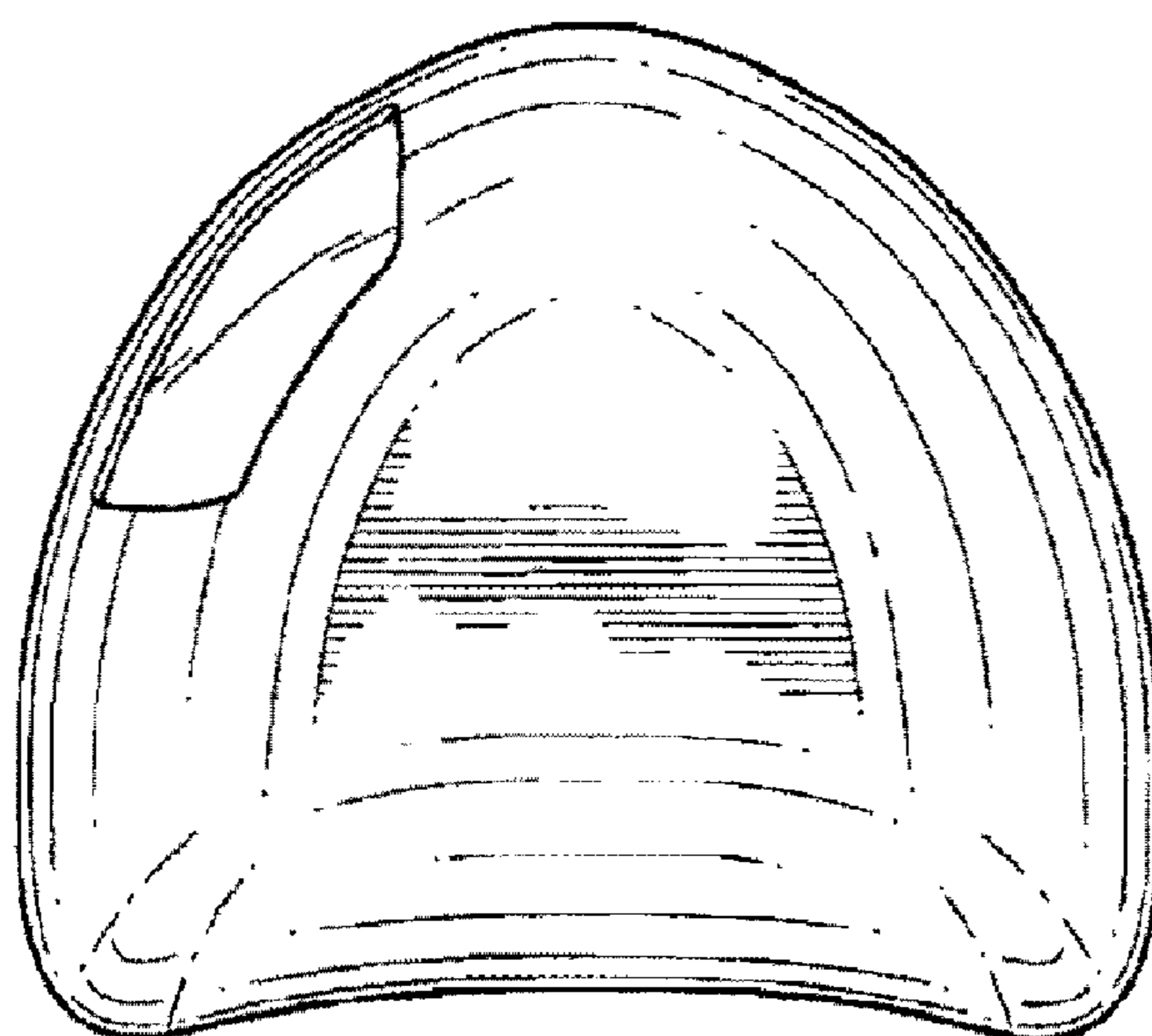


Fig. 7

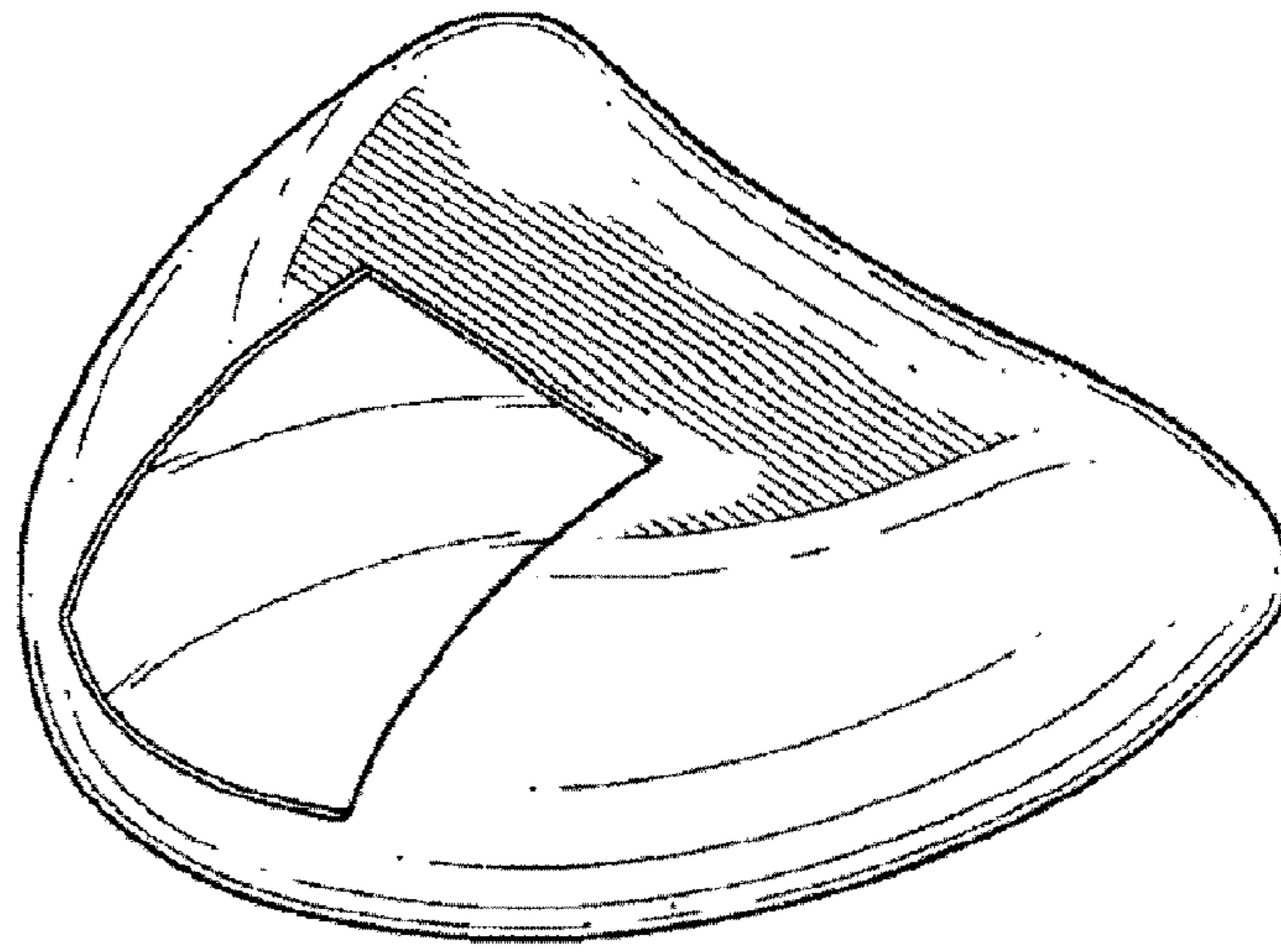


Fig. 8

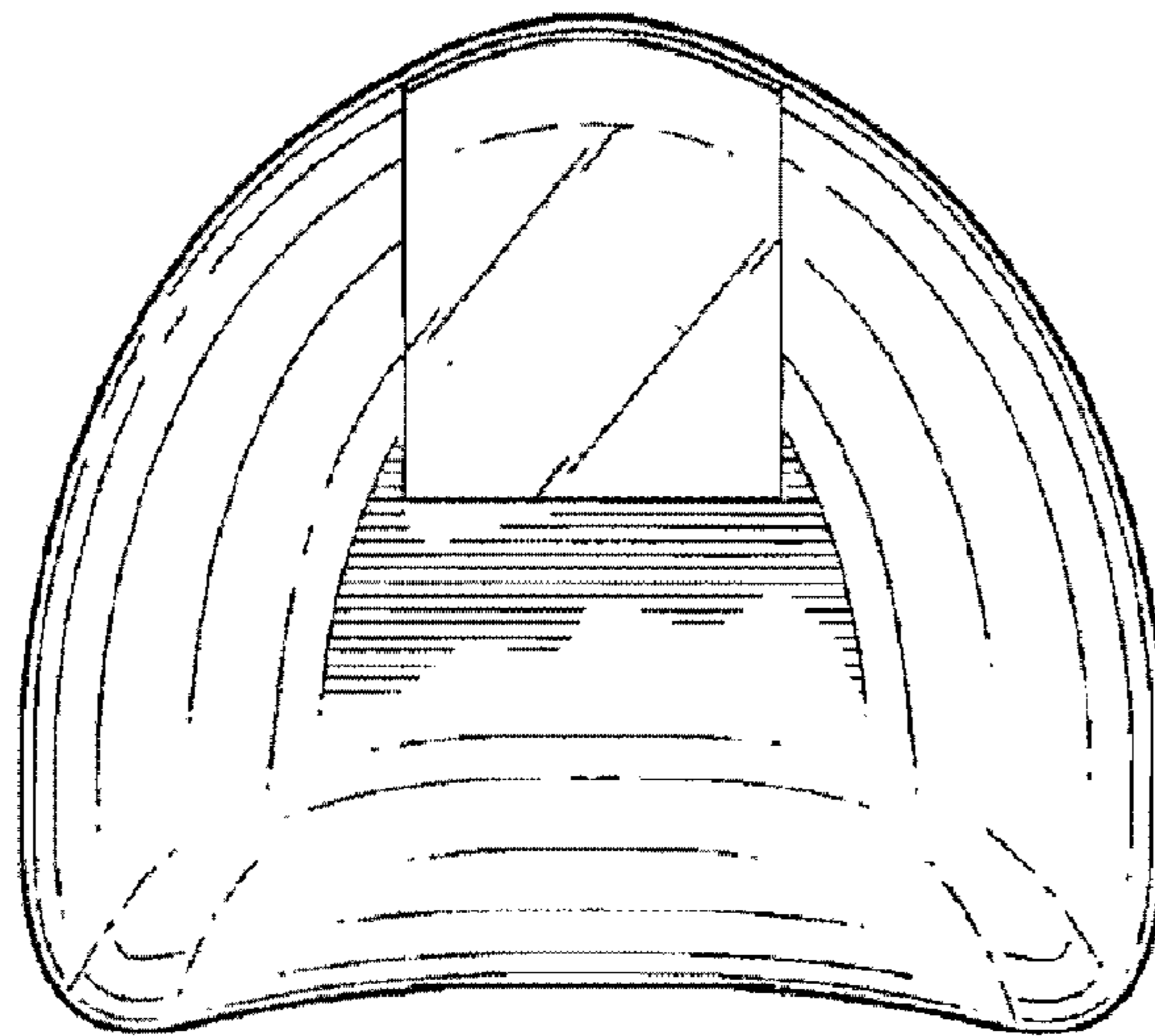


Fig. 9

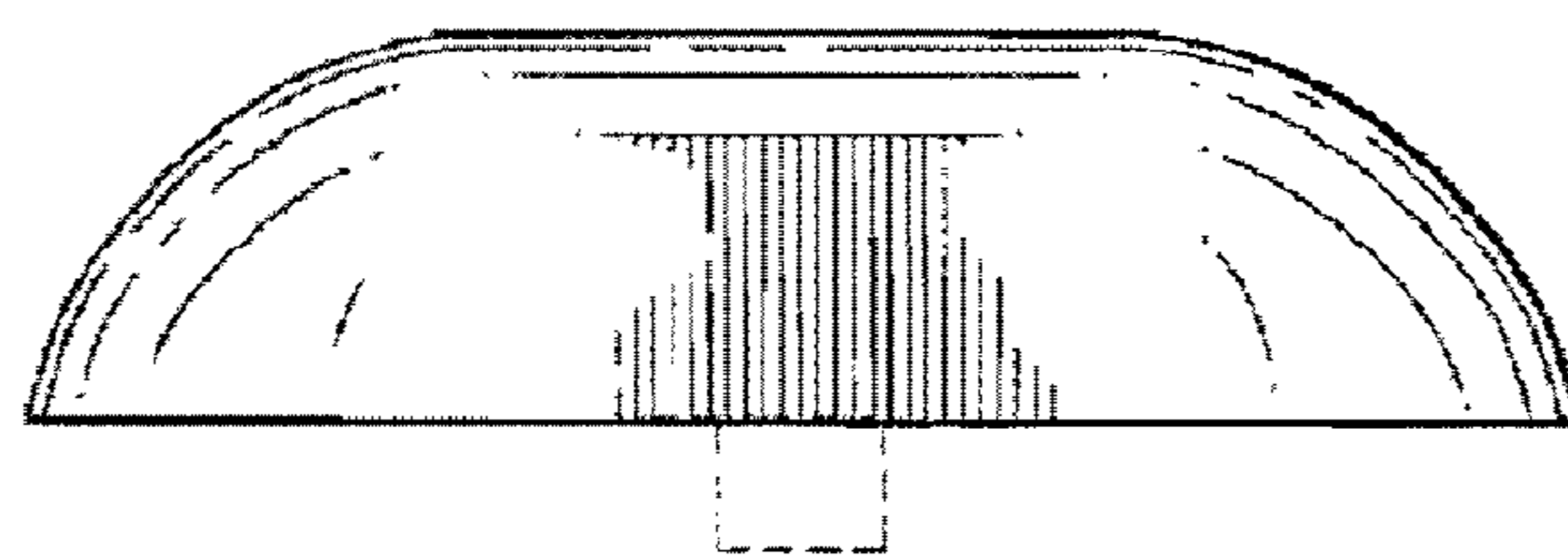


Fig. 10