



US00D652156S

(12) **United States Design Patent**
Li et al.

(10) **Patent No.:** **US D652,156 S**
(45) **Date of Patent:** **** Jan. 10, 2012**

(54) **LIGHT EMITTING DIODE LAMP**

FOREIGN PATENT DOCUMENTS

(75) Inventors: **Chien-Te Li**, Taipei (TW); **Wang-Ting Hsieh**, Taipei (TW); **Yi-Hung Chen**, Taipei (TW); **Jen-Hui Wang**, Taipei (TW)

JP	D1356211	4/2009
JP	D1383284	3/2010
TW	D130541	8/2009
TW	D130697	9/2009

(73) Assignee: **Everlight Electronics Co., Ltd.**, New Taipei (TW)

“Notice of Allowance of Taiwan Counterpart Application”, issued on Feb. 25, 2011, p. 1-p. 3, in which the listed references were cited.

(**) Term: **14 Years**

* cited by examiner

(21) Appl. No.: **29/355,688**

Primary Examiner — Marcus Jackson

(22) Filed: **Feb. 12, 2010**

(74) *Attorney, Agent, or Firm* — Jianq Chyun IP Office

(51) **LOC (9) Cl.** **26-04**

(52) **U.S. Cl.** **D26/2**

(58) **Field of Classification Search** D26/1-4;
313/313, 315, 316, 317, 318, 493; 315/52,
315/53, 56, 57, 58

See application file for complete search history.

(57) **CLAIM**

The ornamental design for a light emitting diode lamp, as shown and described.

DESCRIPTION

FIG. 1 is a front view of a lighting emitting diode lamp showing our new design, the rear view, the right side view and the left side view being identical to the front view;

FIG. 2 is a top view thereof;

FIG. 3 is a bottom view thereof; and

FIG. 4 is a perspective view thereof;

FIG. 5 is another perspective view thereof;

FIG. 6 is the other perspective view thereof;

FIG. 7 is a cross-sectional view taken along line 7-7 in FIG. 2;

FIG. 8 is a cross-sectional view taken along line 8-8 in FIG. 2;

and,

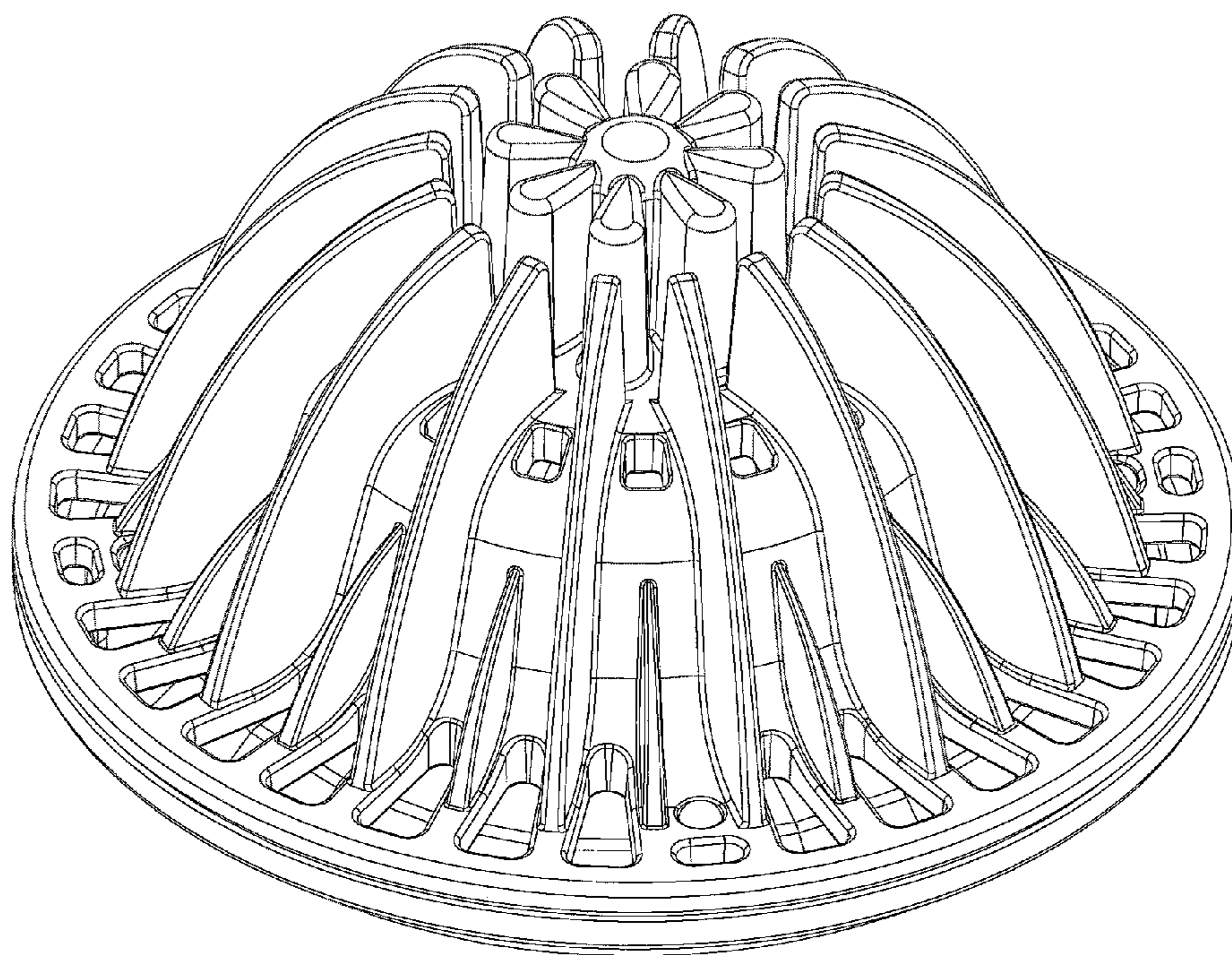
FIG. 9 is another cross-sectional view of FIG. 8.

(56) **References Cited**

U.S. PATENT DOCUMENTS

D544,110 S	6/2007	Hooker et al.	
D545,457 S	6/2007	Chen	
D566,300 S *	4/2008	Lo	D26/2
D572,385 S	7/2008	Mazzochette et al.	
D596,764 S	7/2009	Yang et al.	
D601,279 S *	9/2009	Ou et al.	D26/2
D604,434 S *	11/2009	Wada et al.	D26/2
D607,586 S *	1/2010	Ko	D26/2
D610,271 S *	2/2010	Bi	D26/2
D610,274 S *	2/2010	Cho	D26/2
D610,722 S *	2/2010	Bi	D26/2
D623,777 S *	9/2010	Moon et al.	D26/2

1 Claim, 9 Drawing Sheets



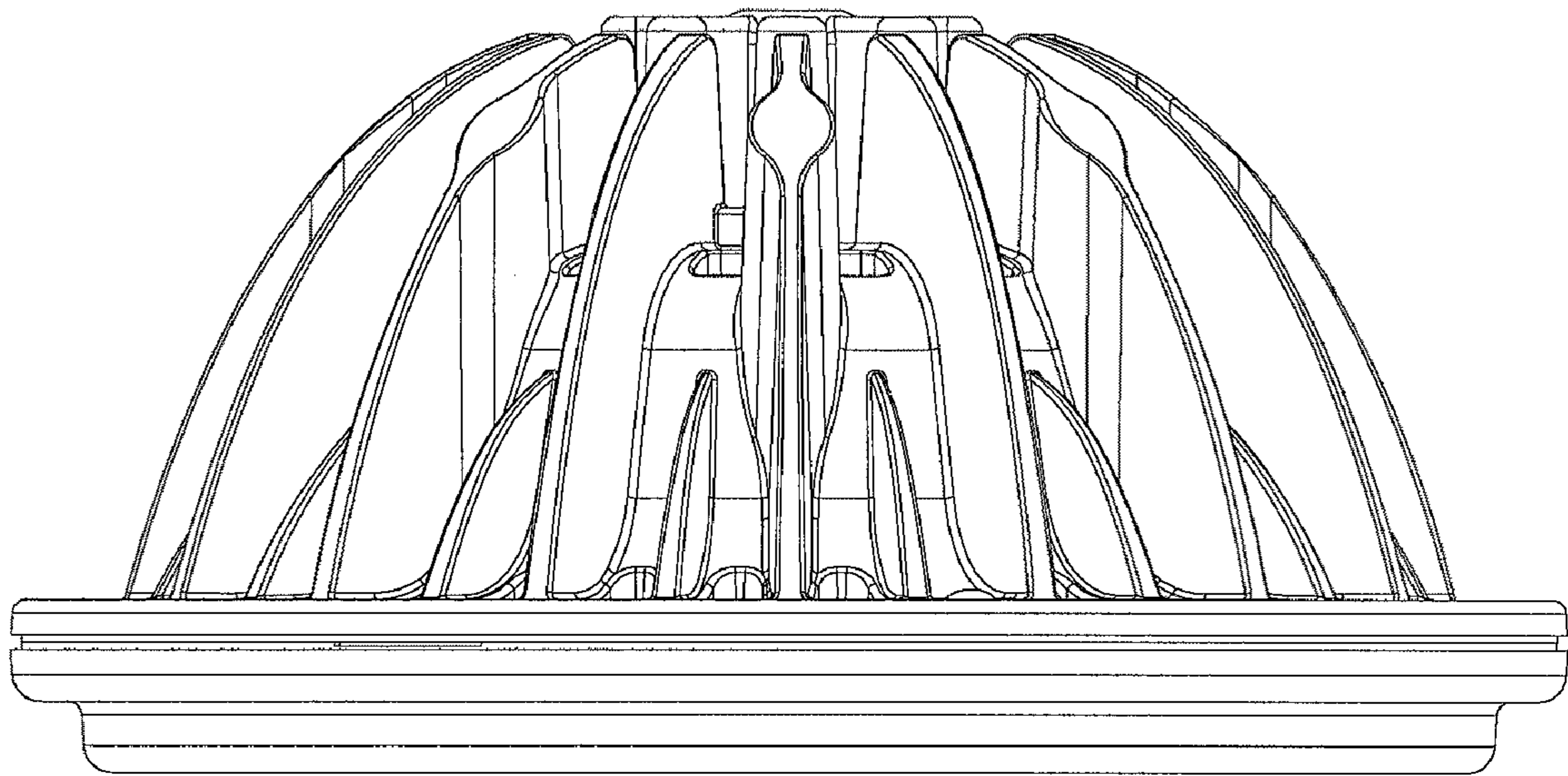


FIG. 1

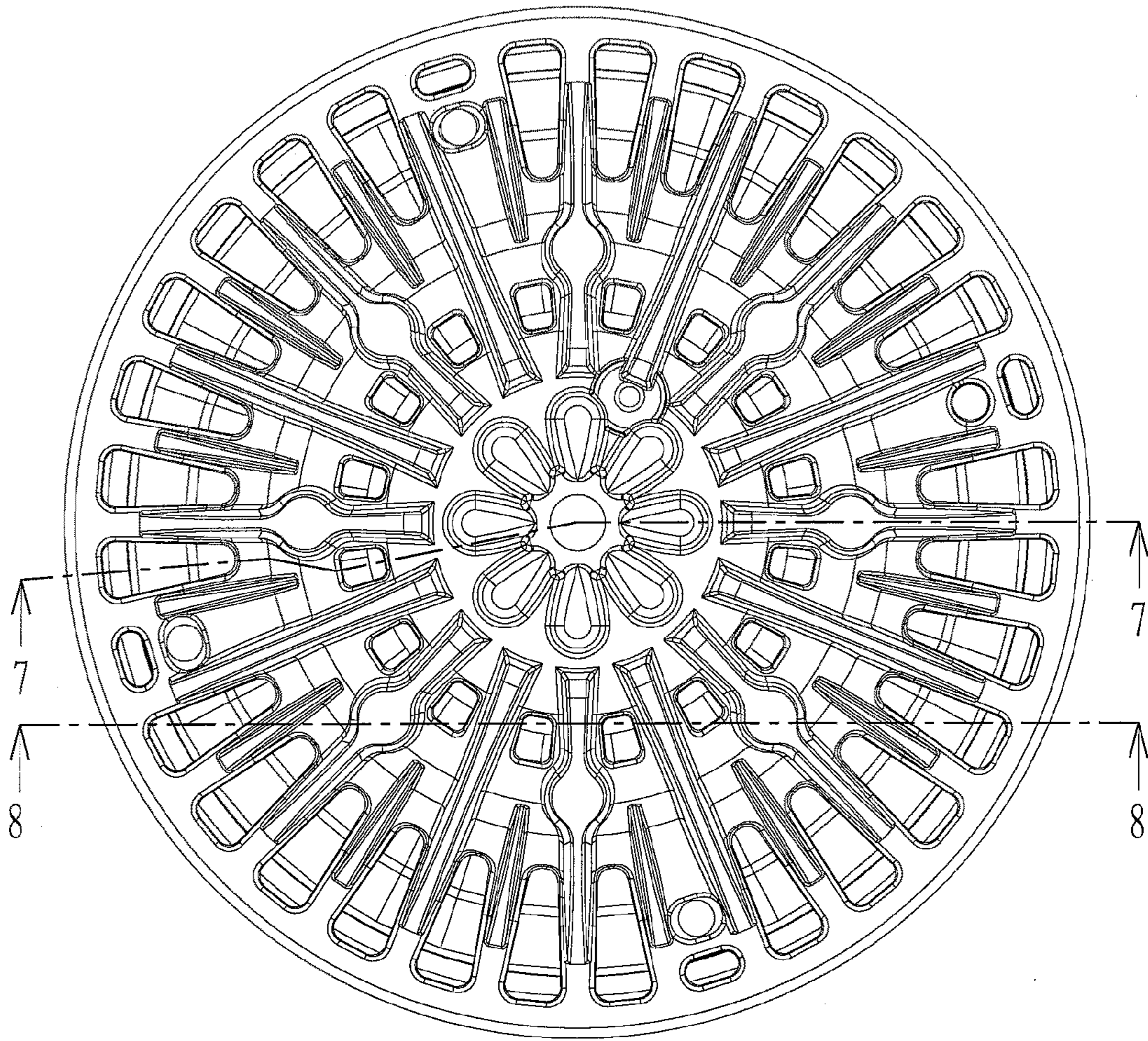


FIG. 2

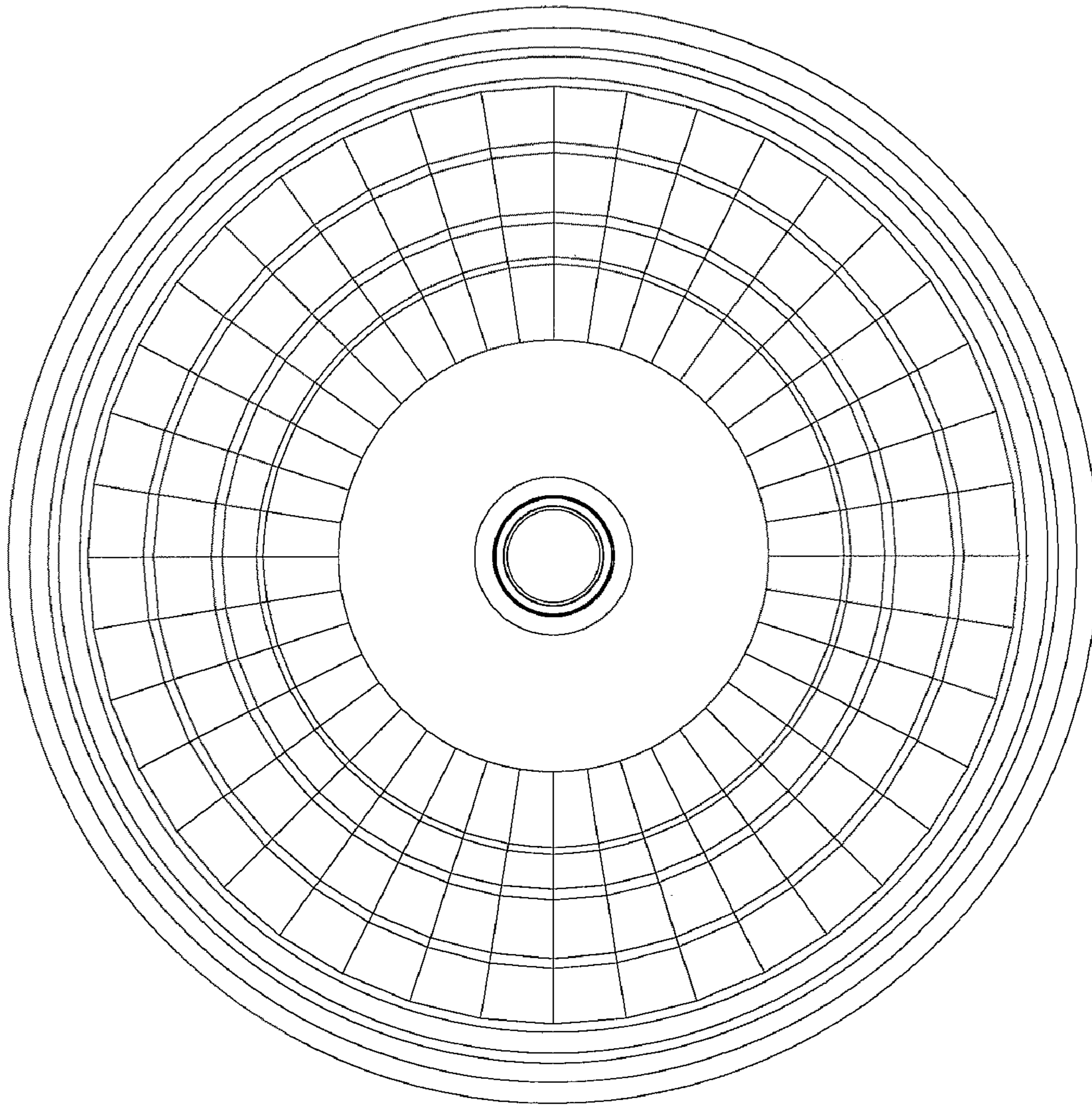


FIG. 3

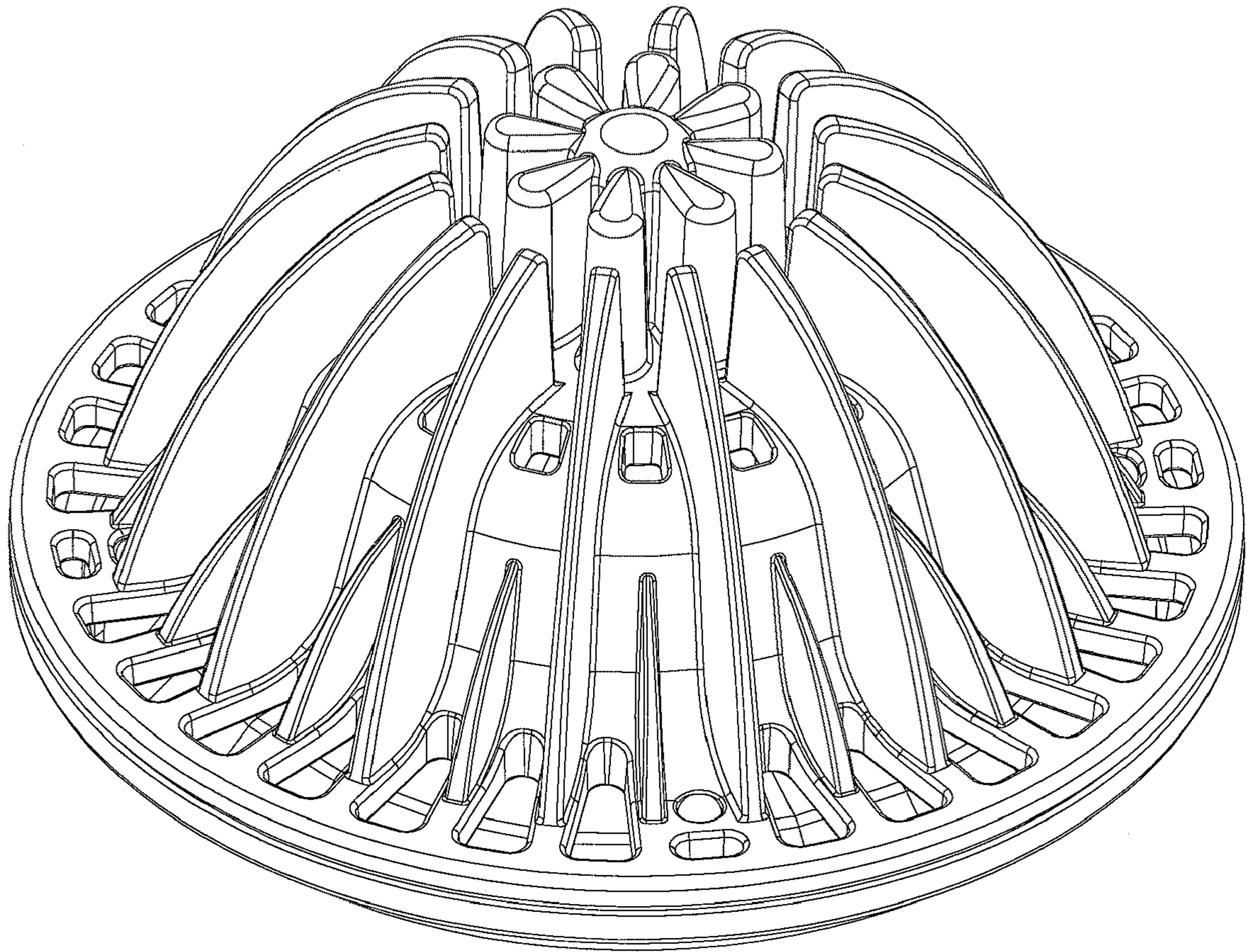


FIG. 4

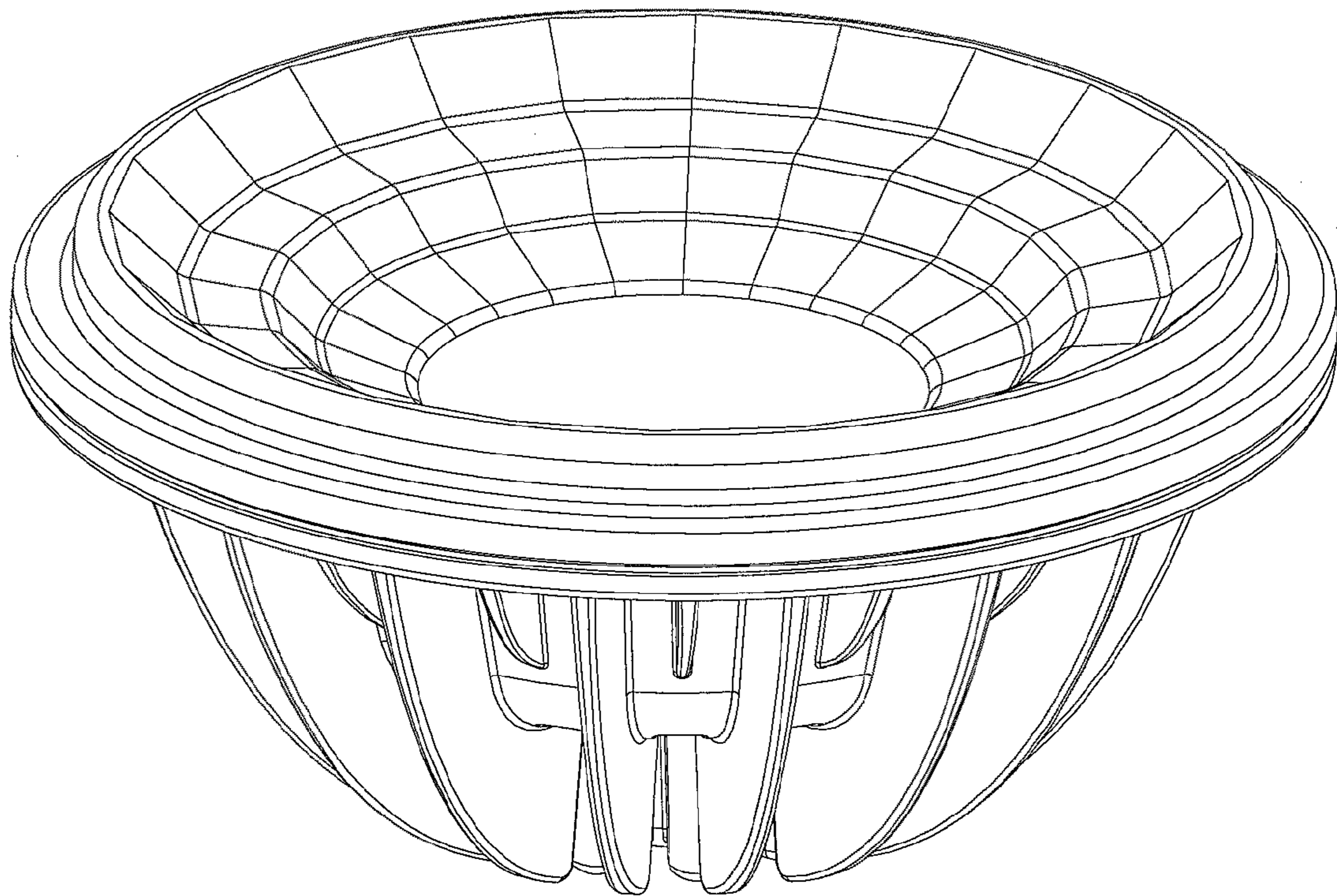


FIG. 5

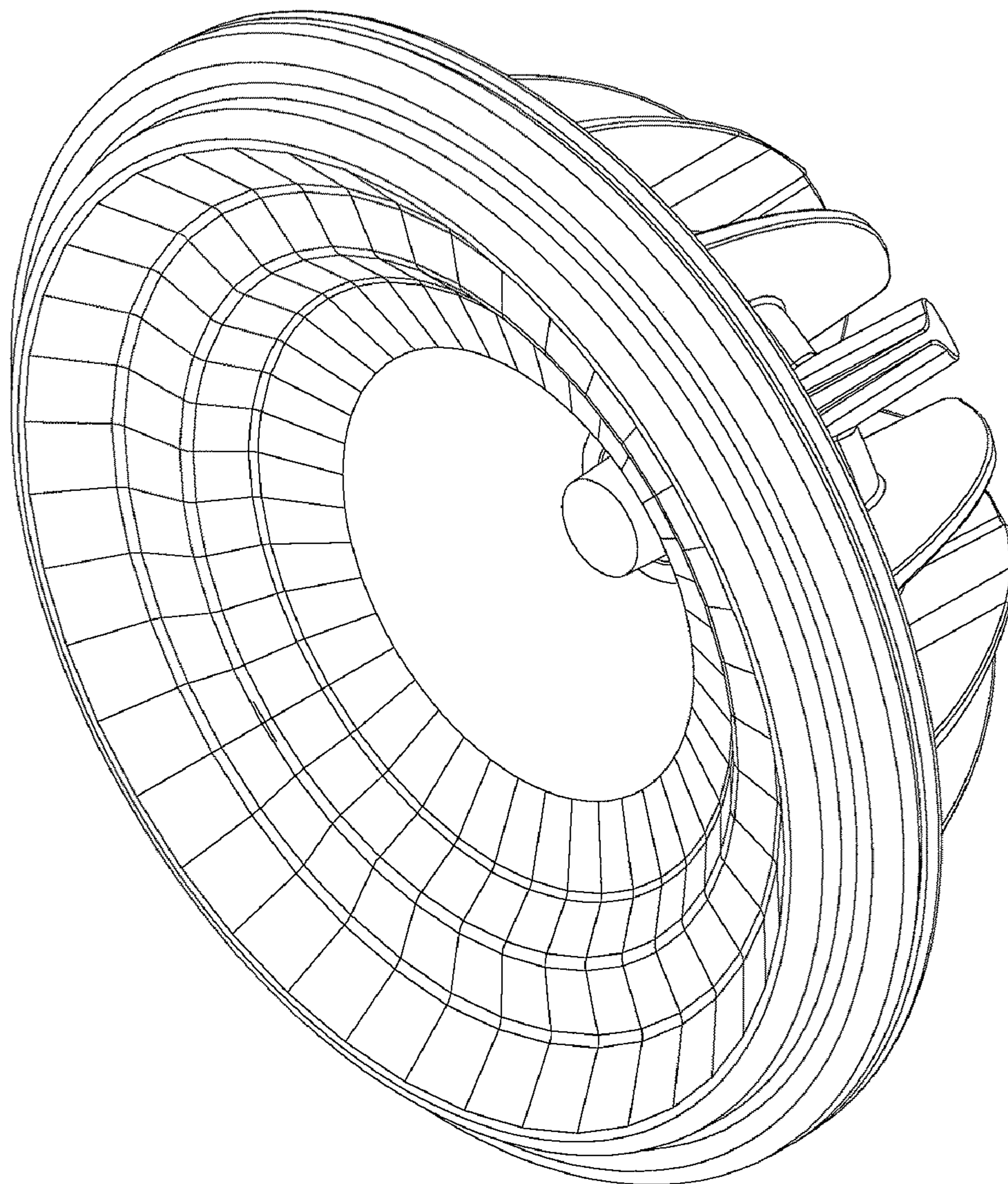


FIG. 6

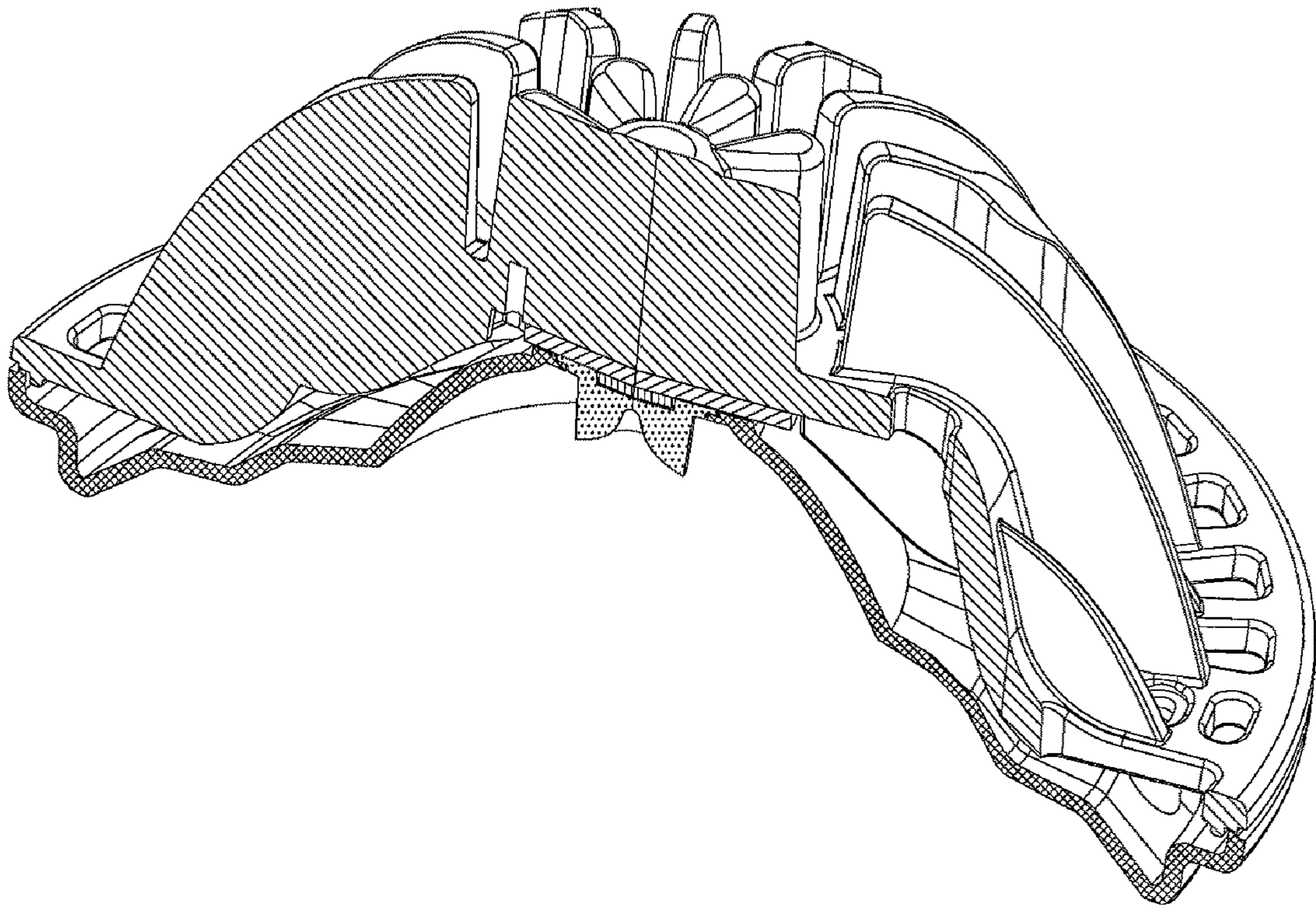


FIG. 7

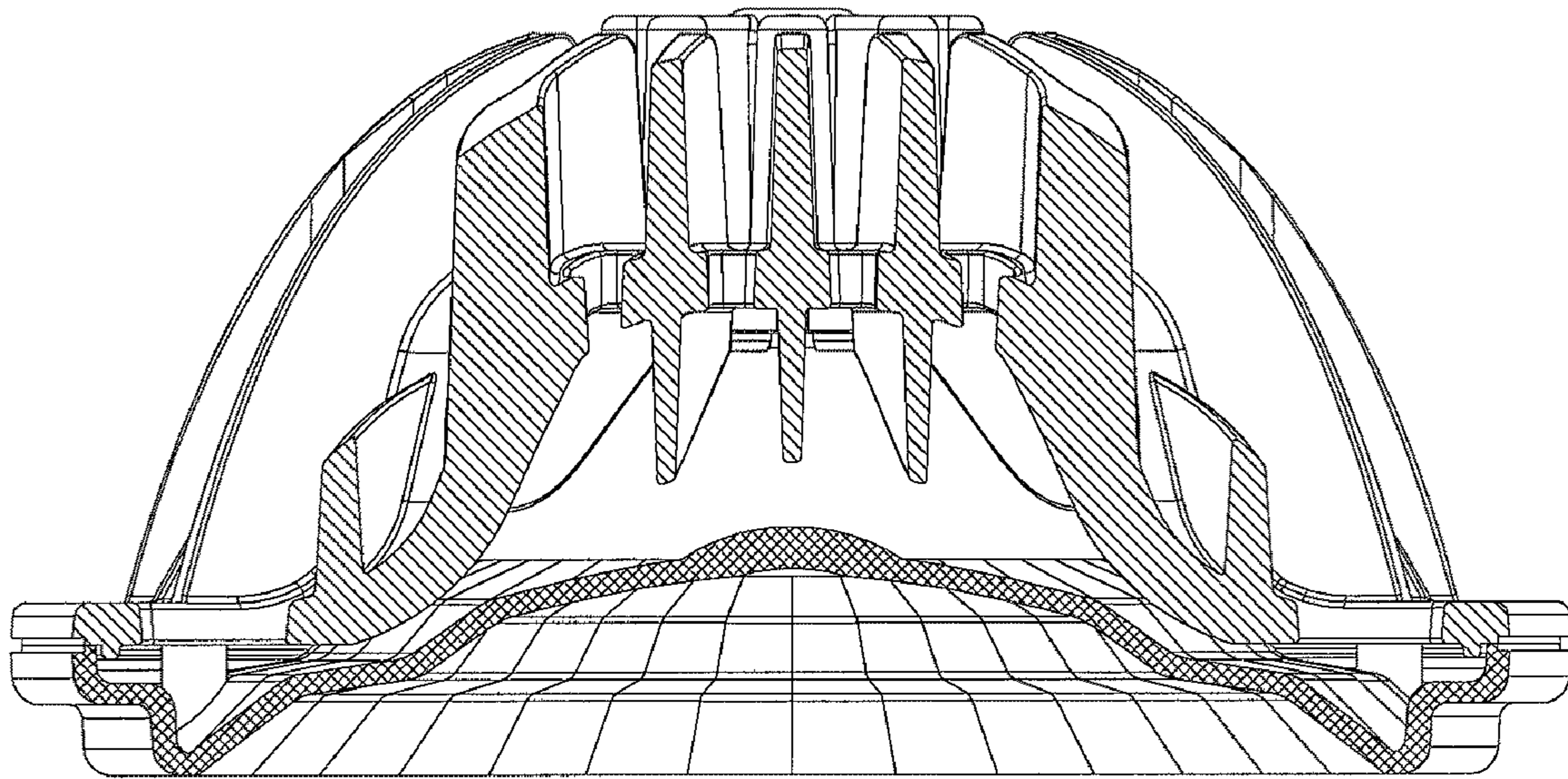


FIG. 8

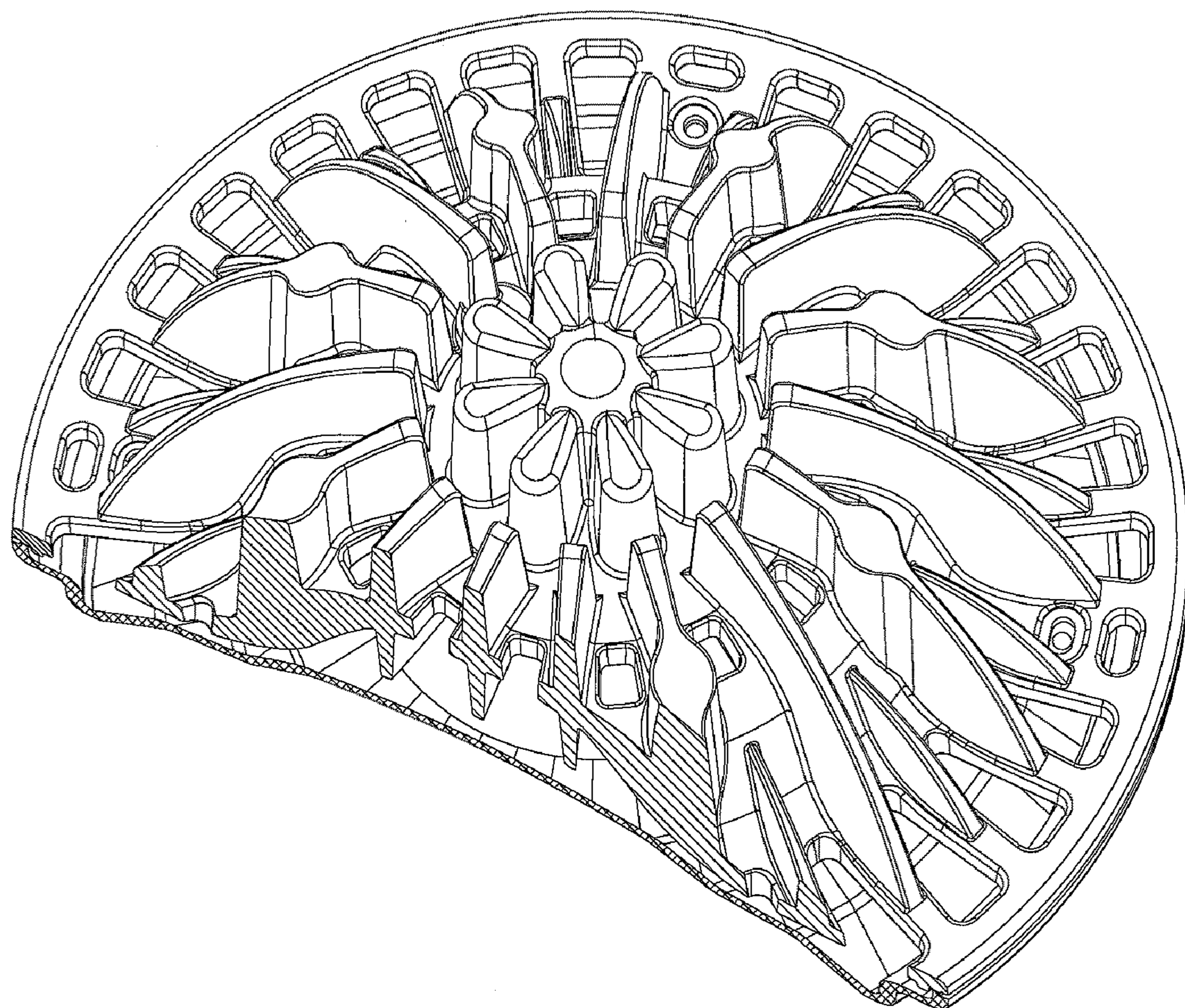


FIG. 9