



US00D652149S

(12) **United States Design Patent**
Ferrari

(10) **Patent No.:** **US D652,149 S**

(45) **Date of Patent:** **** Jan. 10, 2012**

(54) **THEATER STAGE**

(76) Inventor: **Valerio Maria Ferrari**, Milan (IT)

(**) Term: **14 Years**

(21) Appl. No.: **29/363,808**

(22) Filed: **Jun. 15, 2010**

(30) **Foreign Application Priority Data**

Dec. 15, 2009 (IT) MI2009O0182

(51) **LOC (9) Cl.** **25-03**

(52) **U.S. Cl.** **D25/12**

(58) **Field of Classification Search** D25/1,
D25/5, 12, 18-19; 52/6-10, 64-66, 144-145;
472/92, 94

See application file for complete search history.

(56) **References Cited**

U.S. PATENT DOCUMENTS

479,001	A *	7/1892	Gutierrez	52/9
D126,708	S *	4/1941	Pierson	D25/18
2,259,646	A *	10/1941	Lieburg	52/6
3,168,761	A *	2/1965	Graf	52/9
3,241,270	A *	3/1966	Newman	52/9
3,306,257	A *	2/1967	Conover	119/515
D211,515	S *	6/1968	Goldberg et al.	D25/12
4,688,357	A *	8/1987	Deaton	52/9
D303,154	S *	8/1989	Kwake	D25/12
D376,653	S *	12/1996	Clijsters	D25/12
6,698,141	B2 *	3/2004	Silberman et al.	52/6
6,915,610	B2 *	7/2005	Stark et al.	52/6

7,107,724 B2 * 9/2006 Suprina et al. 52/9

* cited by examiner

Primary Examiner — T. Chase Nelson

Assistant Examiner — Kathleen M Sims

(74) *Attorney, Agent, or Firm* — Novak Druce + Quigg, LLP

(57) **CLAIM**

The ornamental design for a theater stage, as shown and described.

DESCRIPTION

FIG. 1 is a first perspective view of a theater stage showing my design;

FIG. 2 is a top view thereof;

FIG. 3 is a top view thereof, shown without stippling, including reference to a front cross-sectional view;

FIG. 4 is a front cross-sectional view taken from 4-4 of FIG. 3;

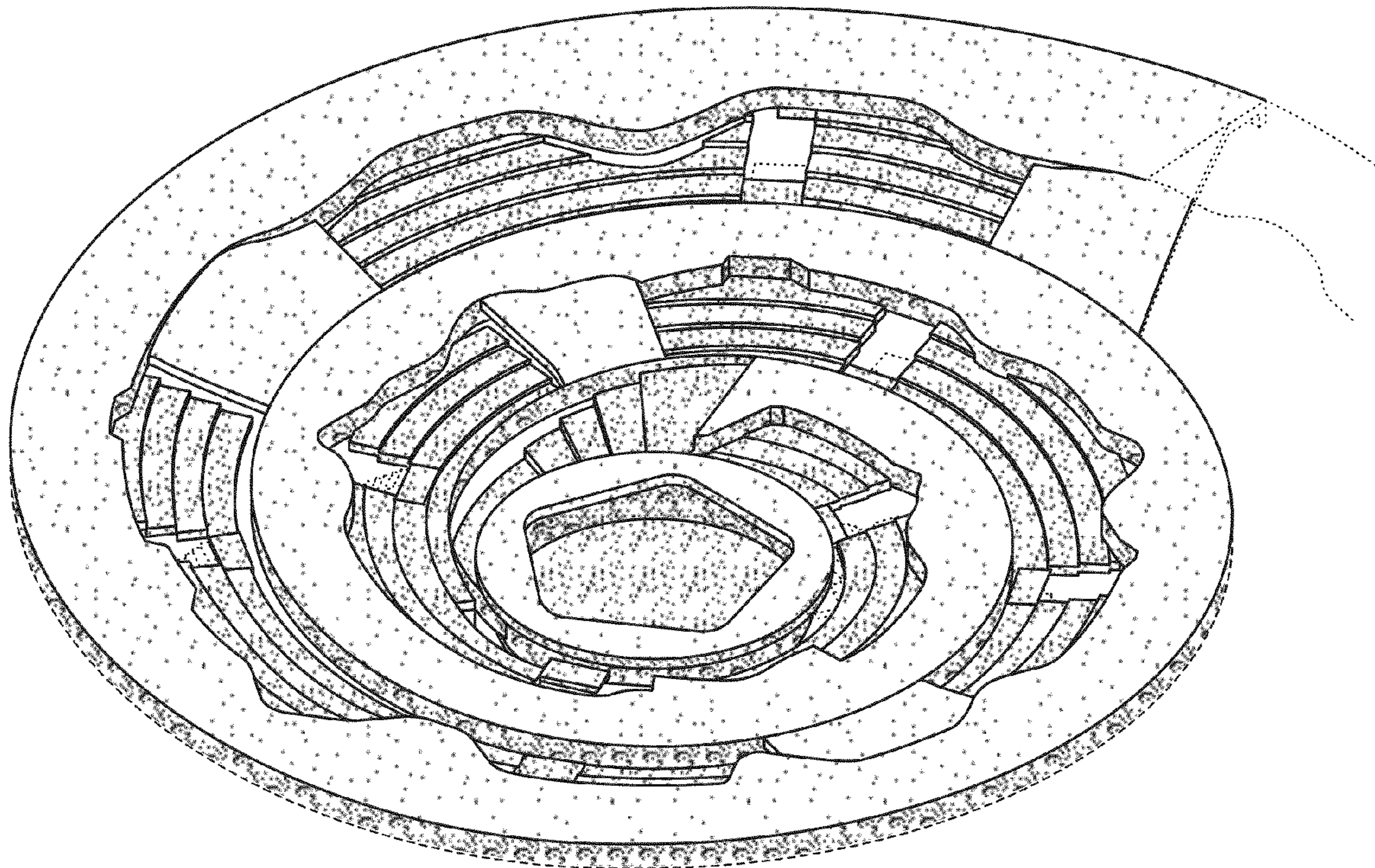
FIG. 5 is a top view thereof, shown without stippling, including reference to rear cross-sectional view;

FIG. 6 is a rear cross-sectional view taken from 6-6 of FIG. 5; and,

FIG. 7 is a second perspective view taken from the reverse view of FIG. 1.

The broken lines showing of details in FIGS. 1-7, including the stairs under the stage and the outer sides and bottom walls of the stage is included for the purpose of showing environmental portions of the theater stage and forms no part of the claimed design.

1 Claim, 5 Drawing Sheets



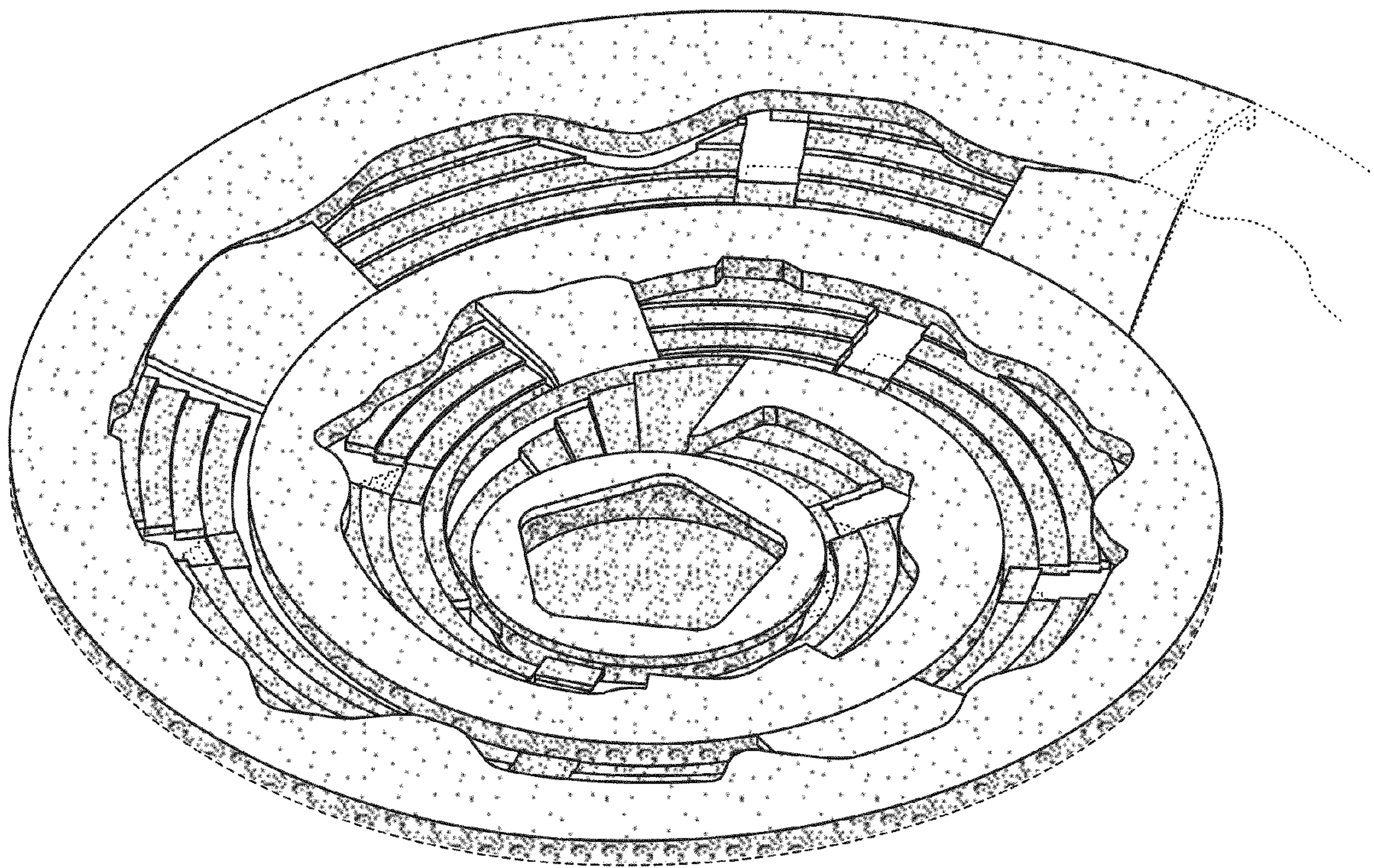


FIG. 1

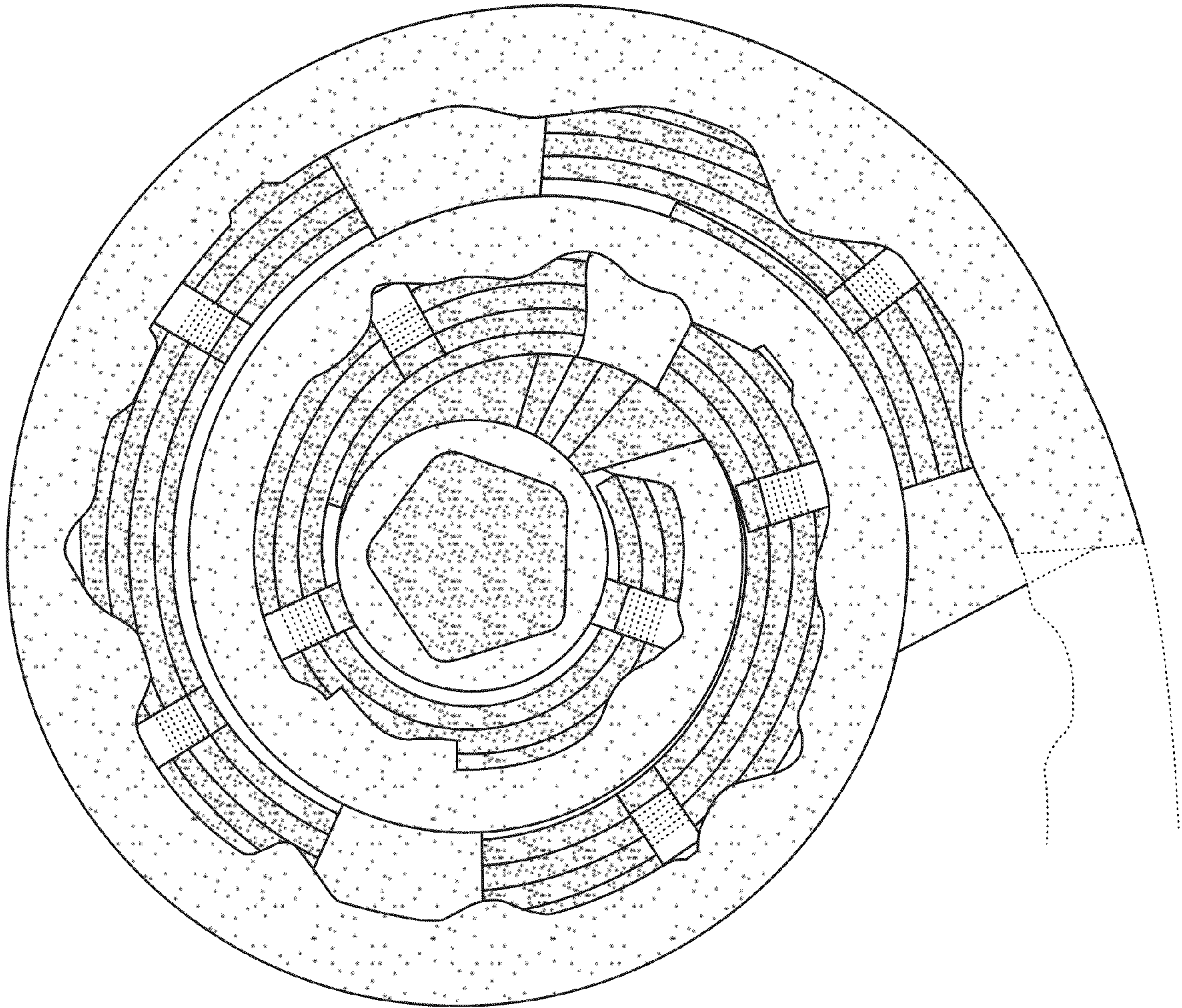


FIG. 2

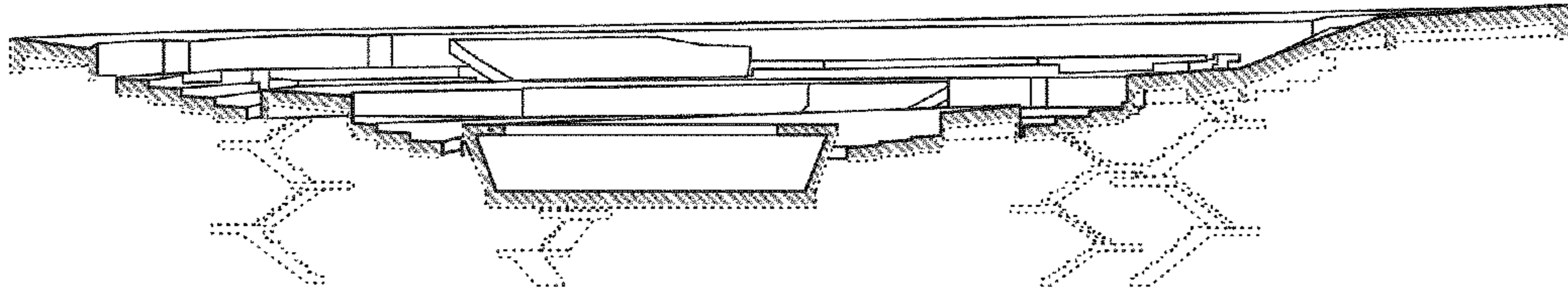


FIG. 4

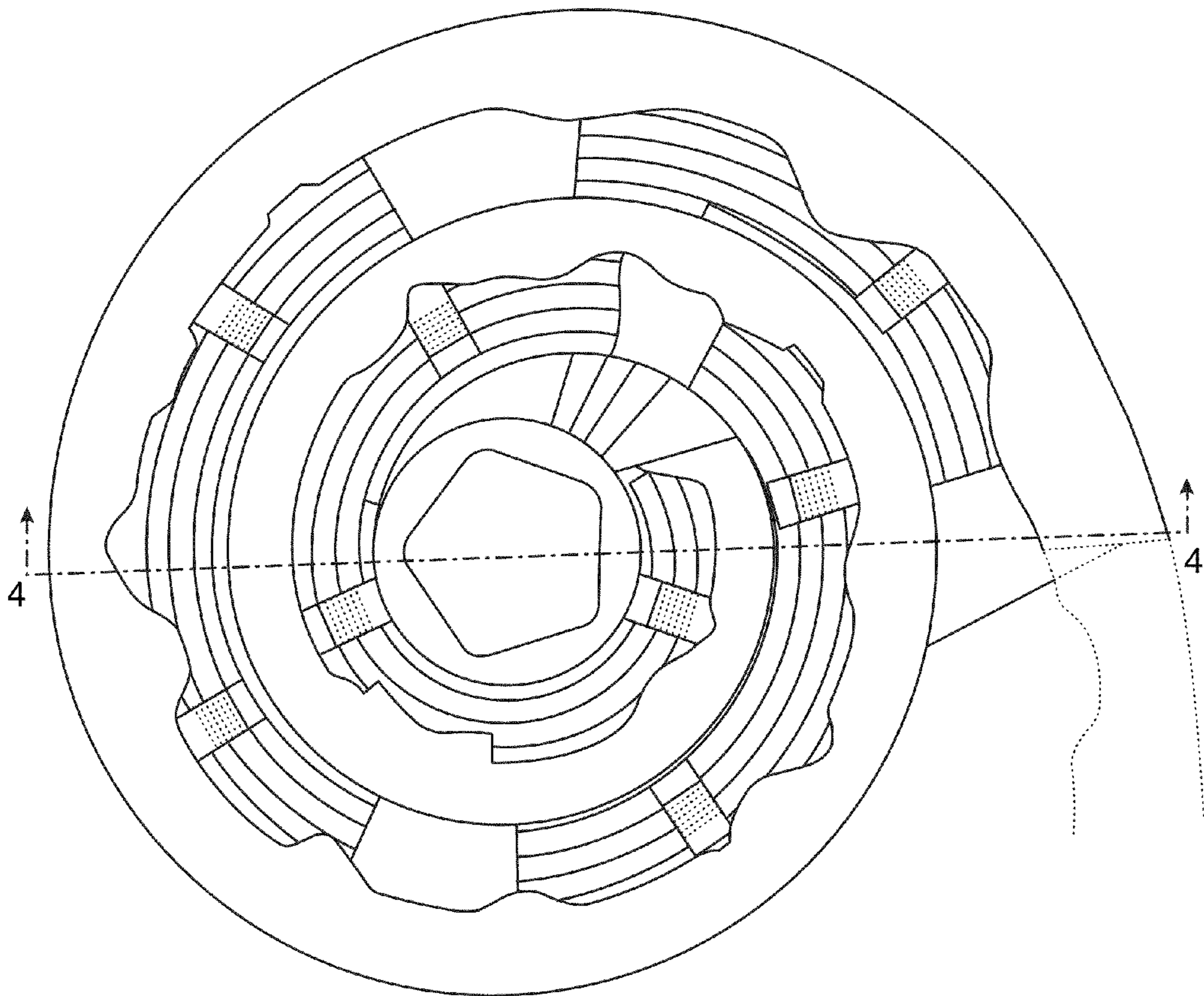


FIG. 3

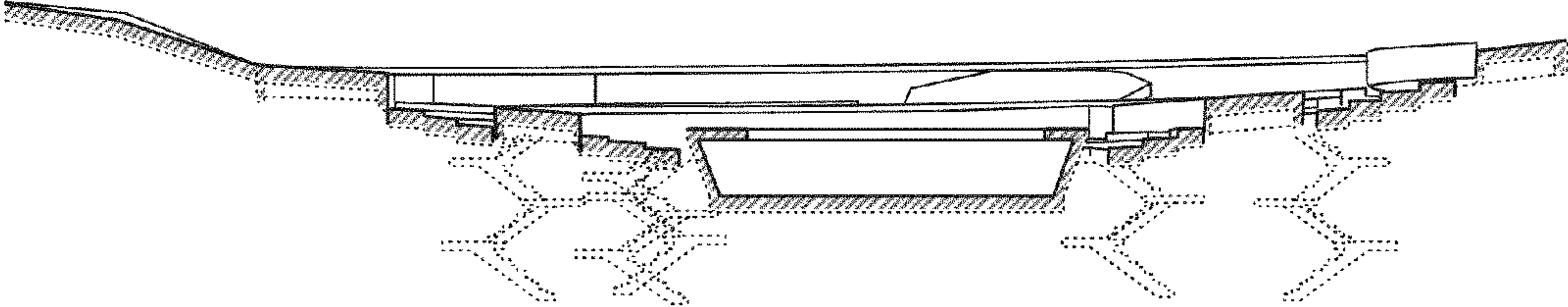


FIG. 6

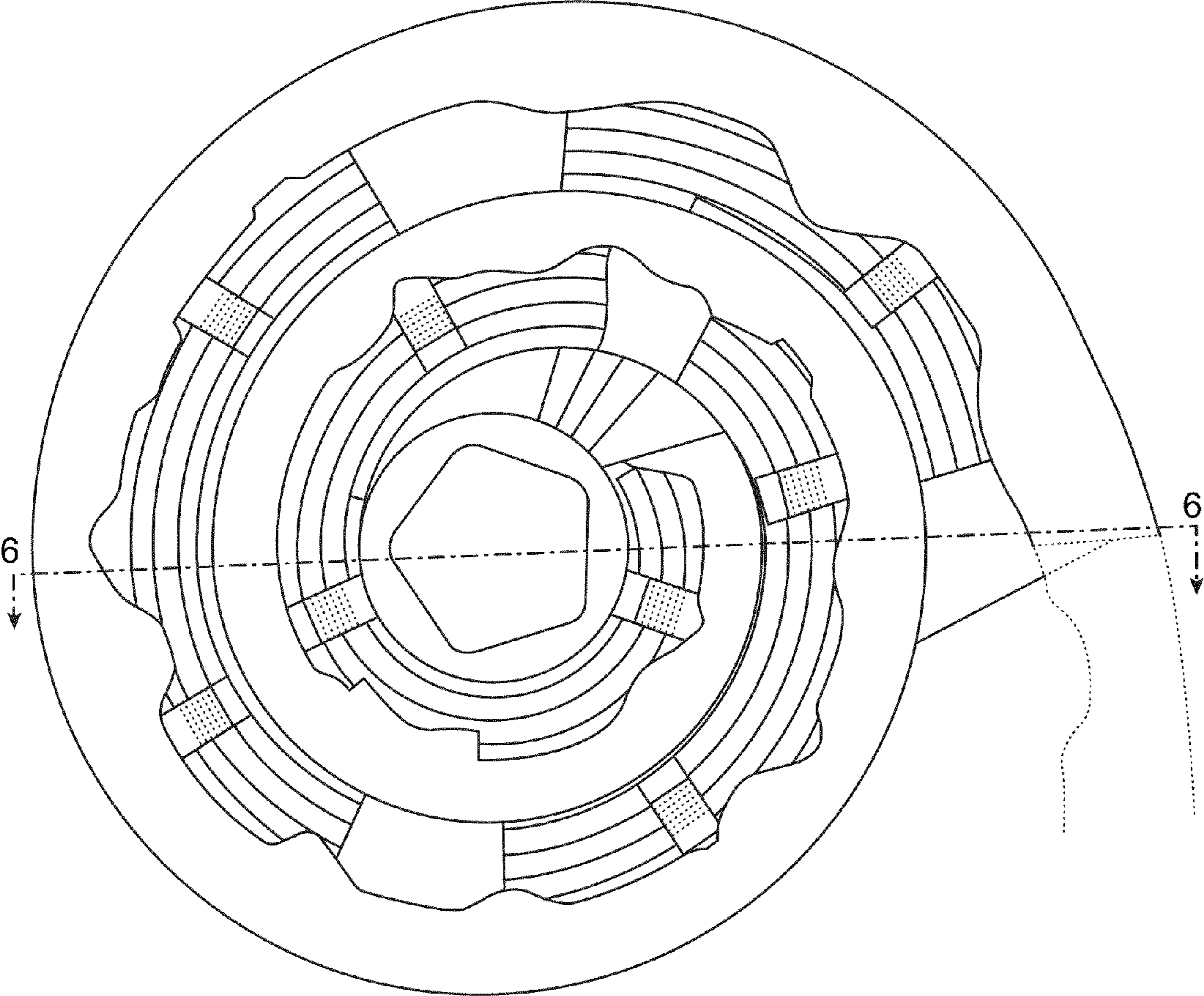


FIG. 5

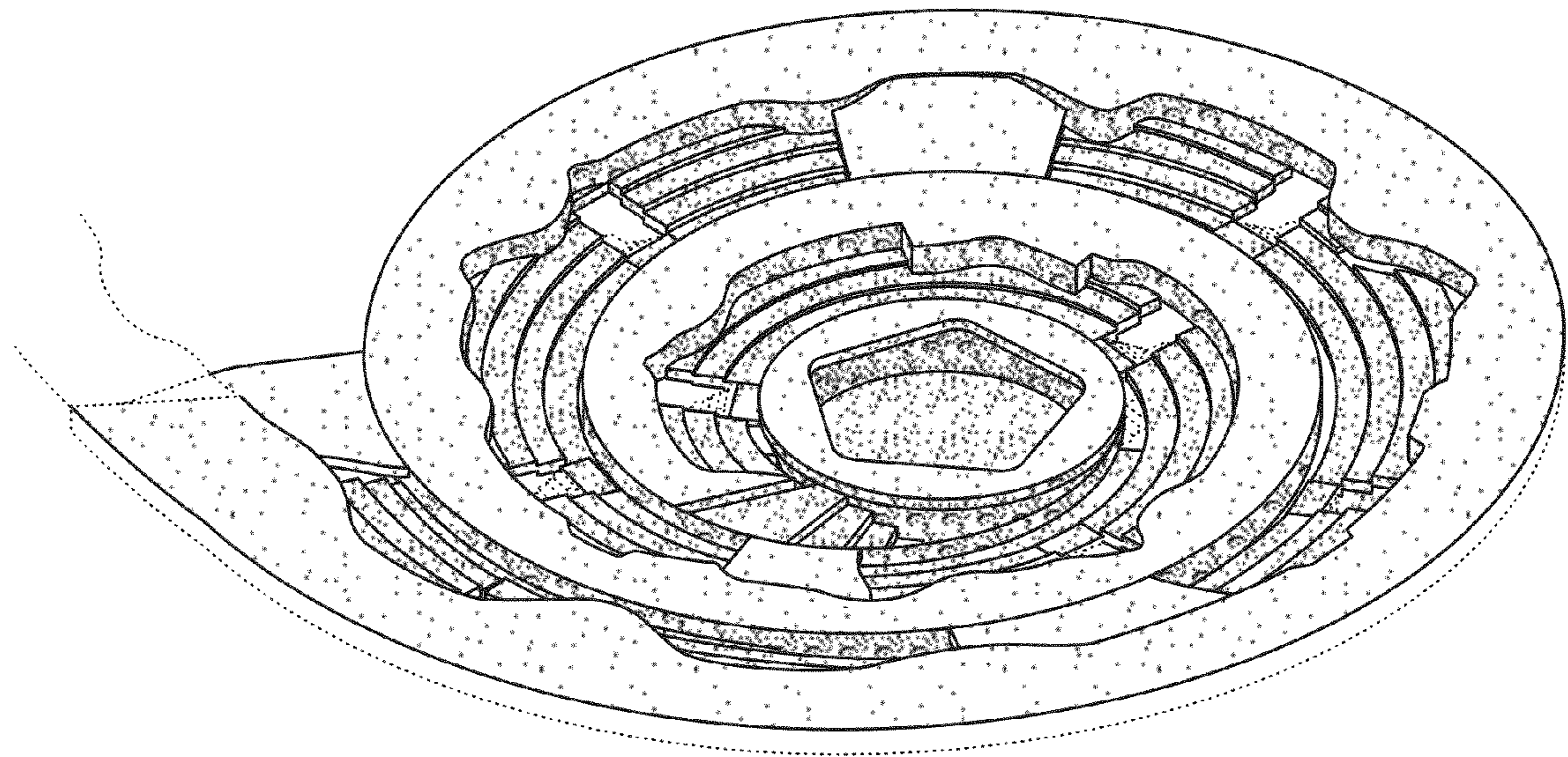


FIG. 7