



US00D652148S

(12) **United States Design Patent**
Matsuura

(10) **Patent No.:** **US D652,148 S**
(45) **Date of Patent:** **** Jan. 10, 2012**

(54) **CONTAINER**

(75) Inventor: **Hiroyuki Matsuura**, Kobe (JP)

(73) Assignee: **Sysmex Corporation**, Kobe (JP)

(**) Term: **14 Years**

(21) Appl. No.: **29/387,844**

(22) Filed: **Mar. 18, 2011**

(30) **Foreign Application Priority Data**

Sep. 22, 2010 (JP) 2010-022797

(51) **LOC (9) Cl.** **24-01**

(52) **U.S. Cl.** **D24/224**

(58) **Field of Classification Search** D24/216-232,
D24/186, 107, 108, 121; D3/201, 203.1,
D3/203.2, 202; D10/81; D9/520, 544, 545,
D9/546, 548, 549, 562, 570; 422/500, 547,
422/554, 556; 356/246; 220/608, 669; 215/377,
215/382; 435/288.1, 288.2, 304.1, 304.2
See application file for complete search history.

(56) **References Cited**

U.S. PATENT DOCUMENTS

D330,428 S * 10/1992 Lewis et al. D24/224
D342,793 S * 12/1993 Balmer D24/224
D344,138 S * 2/1994 Nagata D24/224
5,571,479 A * 11/1996 Koch 422/549
D380,555 S * 7/1997 Kurosaki et al. D24/224

D401,697 S * 11/1998 Cloonan et al. D24/224
D401,700 S * 11/1998 Gray et al. D24/224
D447,812 S * 9/2001 Conway D24/224
6,878,346 B2 * 4/2005 DeYoung et al. 422/500
D583,481 S * 12/2008 Yamamoto et al. D24/224
D594,132 S * 6/2009 Cheetham D24/224

* cited by examiner

Primary Examiner — Anhdao Doan

(74) *Attorney, Agent, or Firm* — Brinks Hofer Gilson & Lione

(57) **CLAIM**

I claim the ornamental design for a container, as shown and described.

DESCRIPTION

FIG. 1 is a front and top perspective view of a container of the present invention;
FIG. 2 is a front view thereof;
FIG. 3 is a rear view thereof;
FIG. 4 is a top view thereof;
FIG. 5 is a bottom view thereof;
FIG. 6 is a left side view thereof;
FIG. 7 is a right side view thereof;
FIG. 8 is a cross-section view taken along the line 8-8 of FIG. 4;
FIG. 9 is a cross-section view taken along the line 9-9 of FIG. 2;
FIG. 10 is a cross-section view taken along the line 10-10 of FIG. 2; and,
FIG. 11 is a front and right side perspective view thereof.

1 Claim, 11 Drawing Sheets

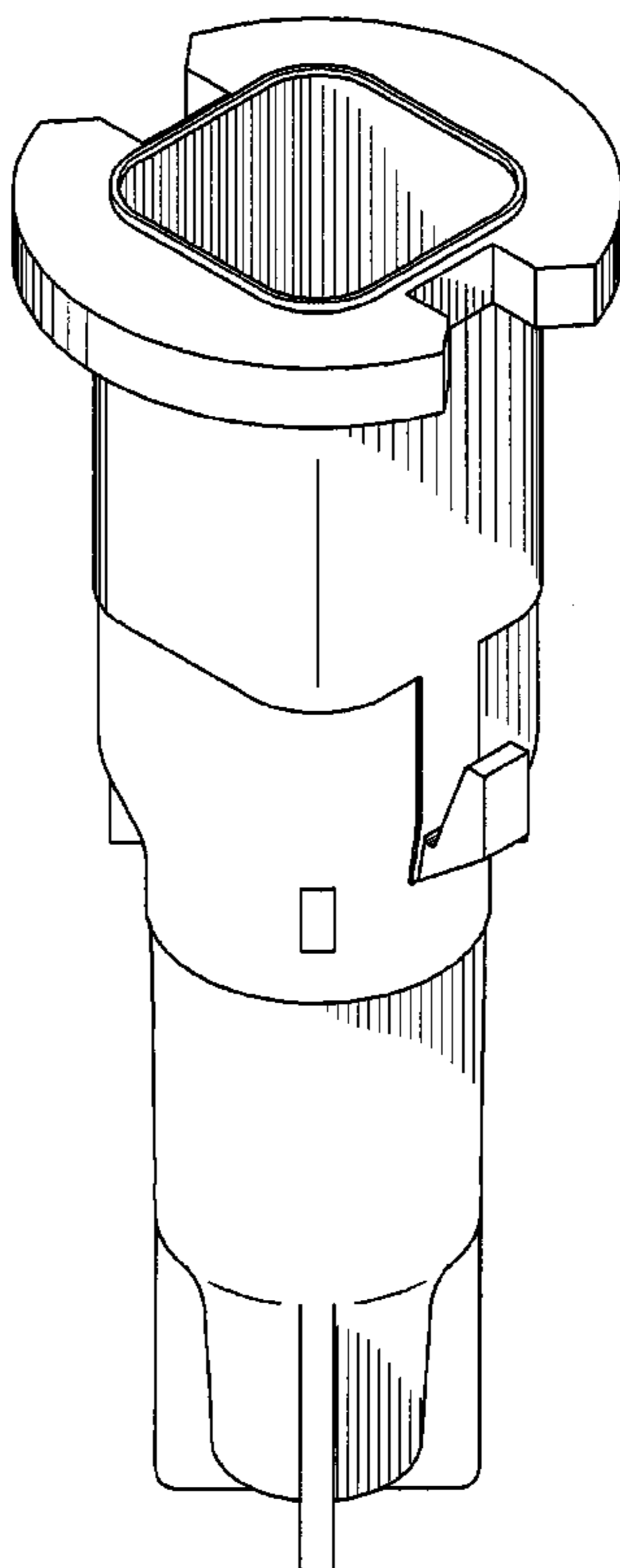


FIG. 1

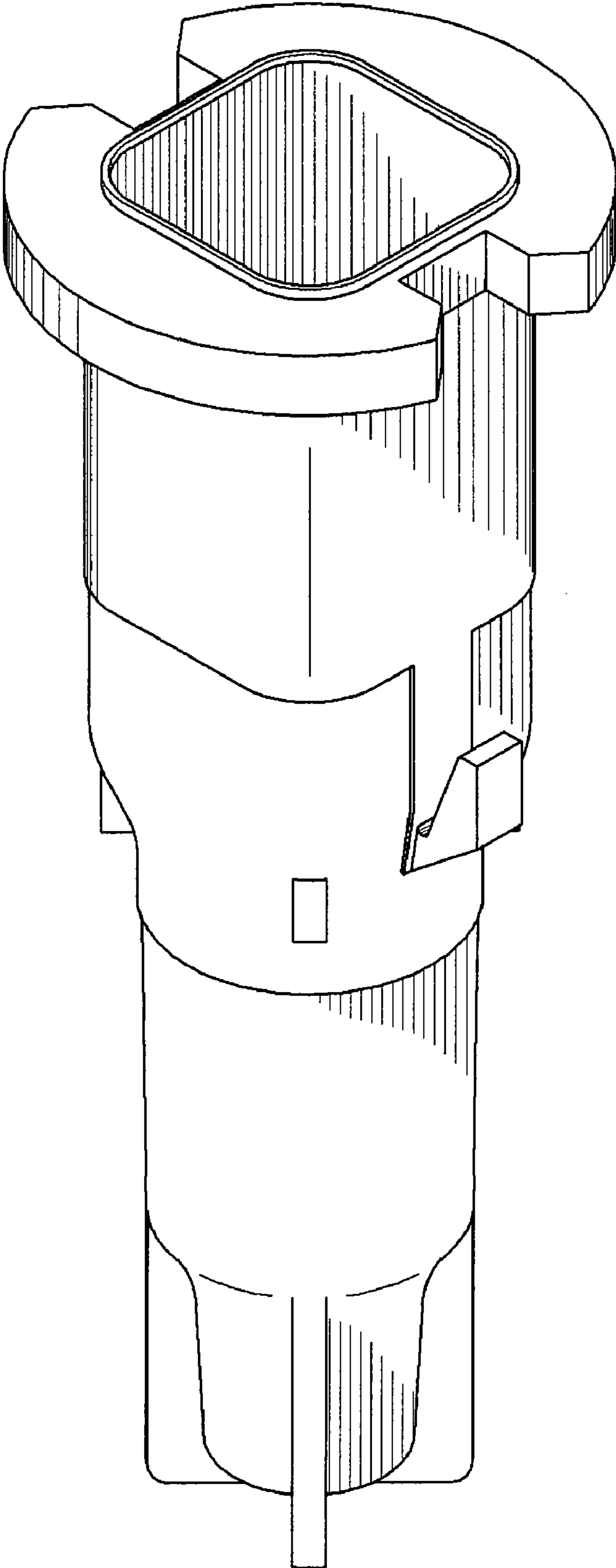


FIG. 2

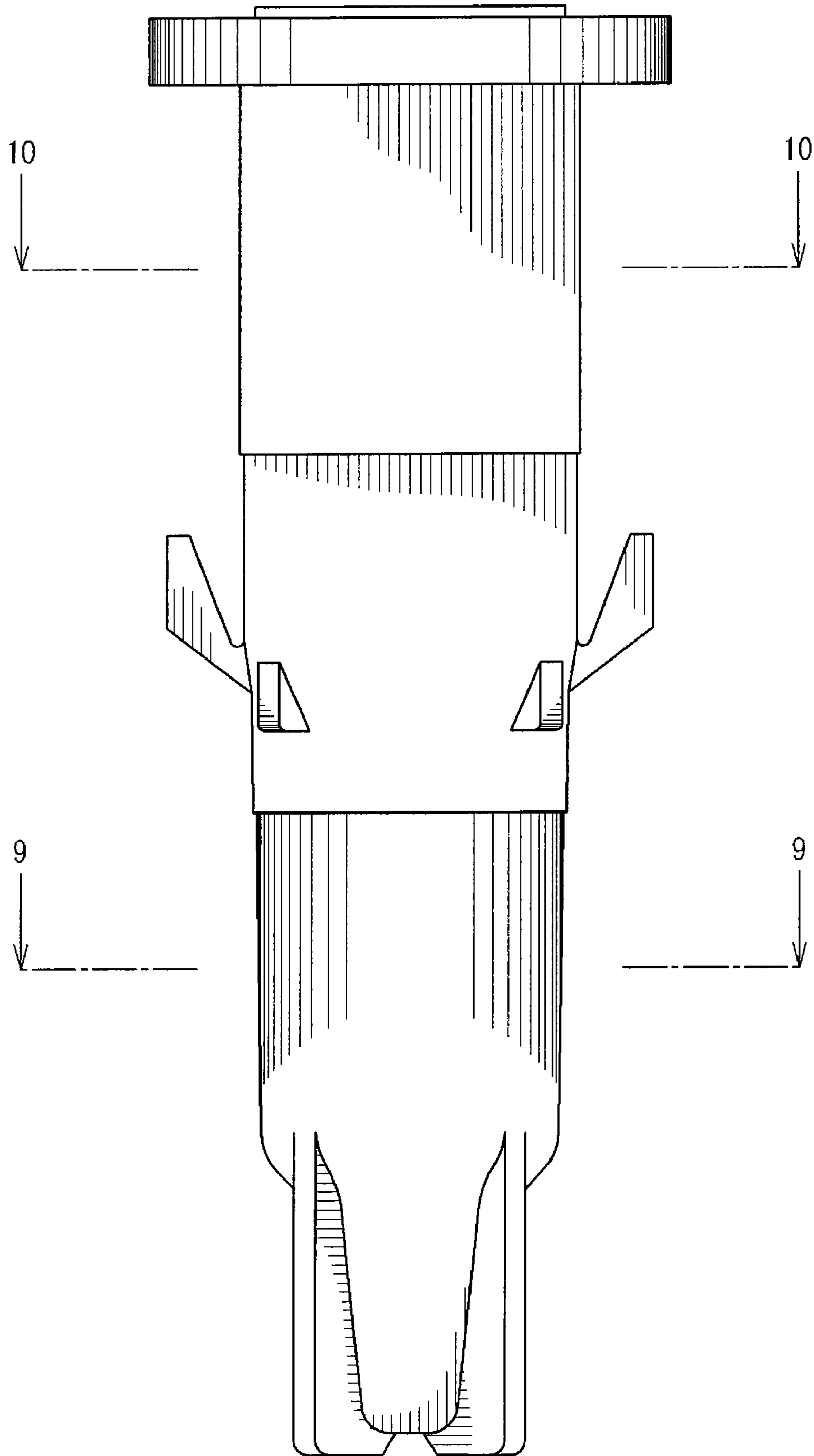


FIG. 3

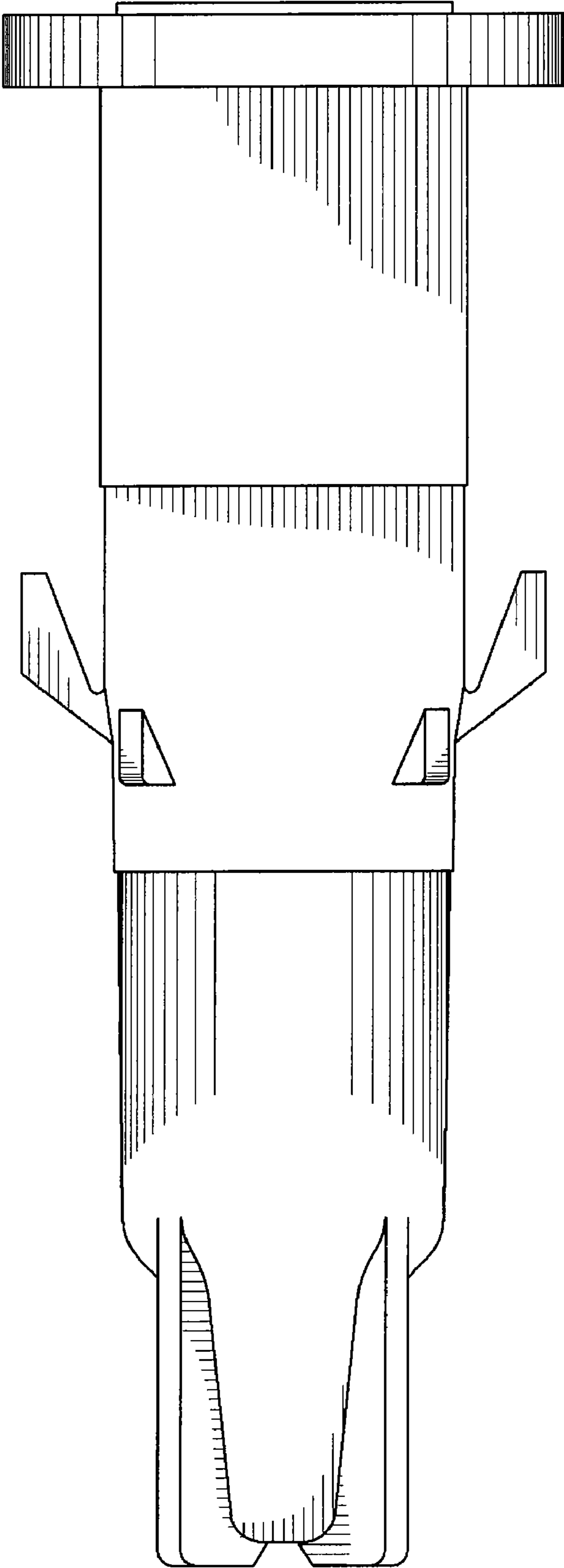


FIG. 4

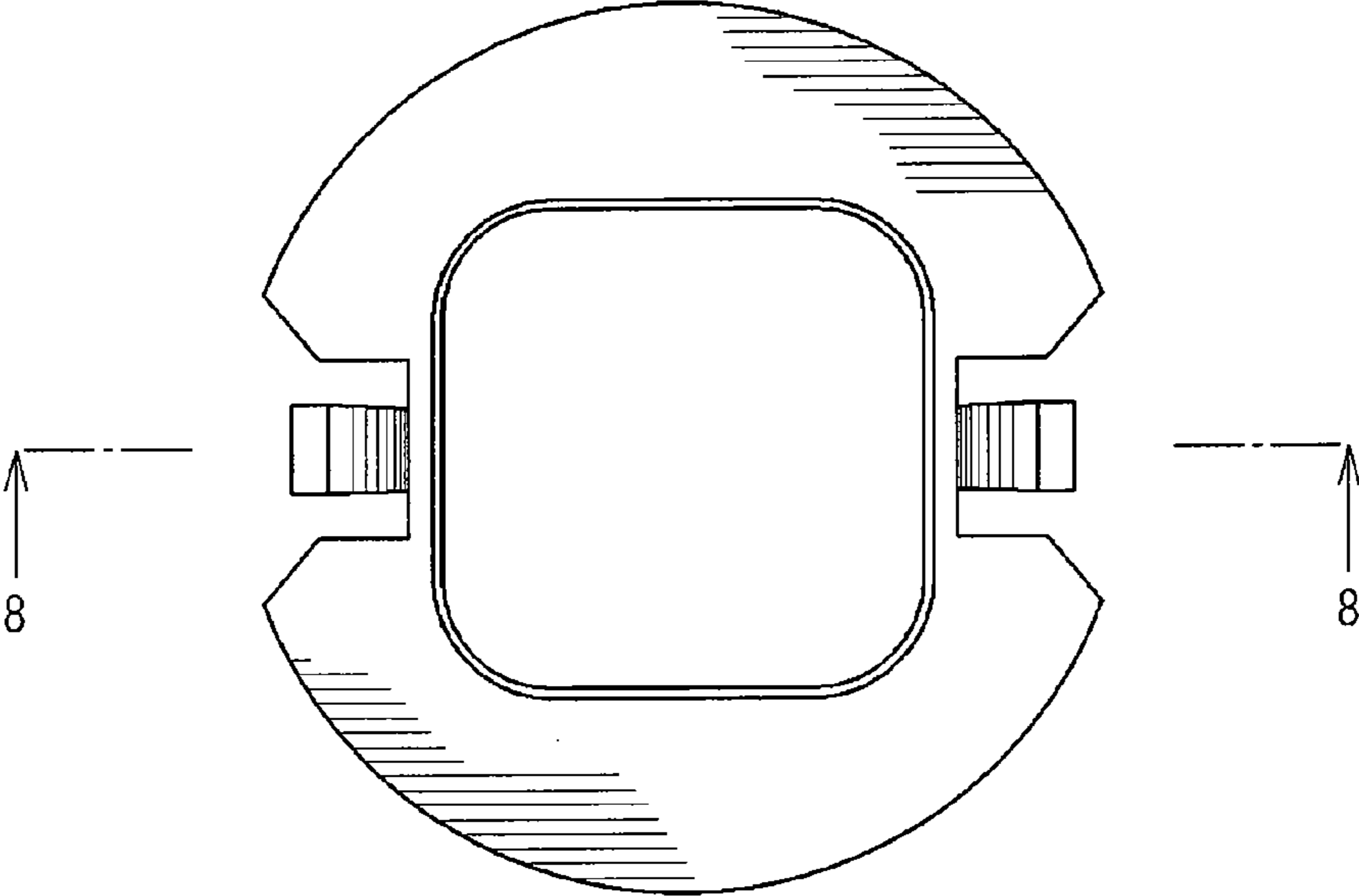


FIG. 5

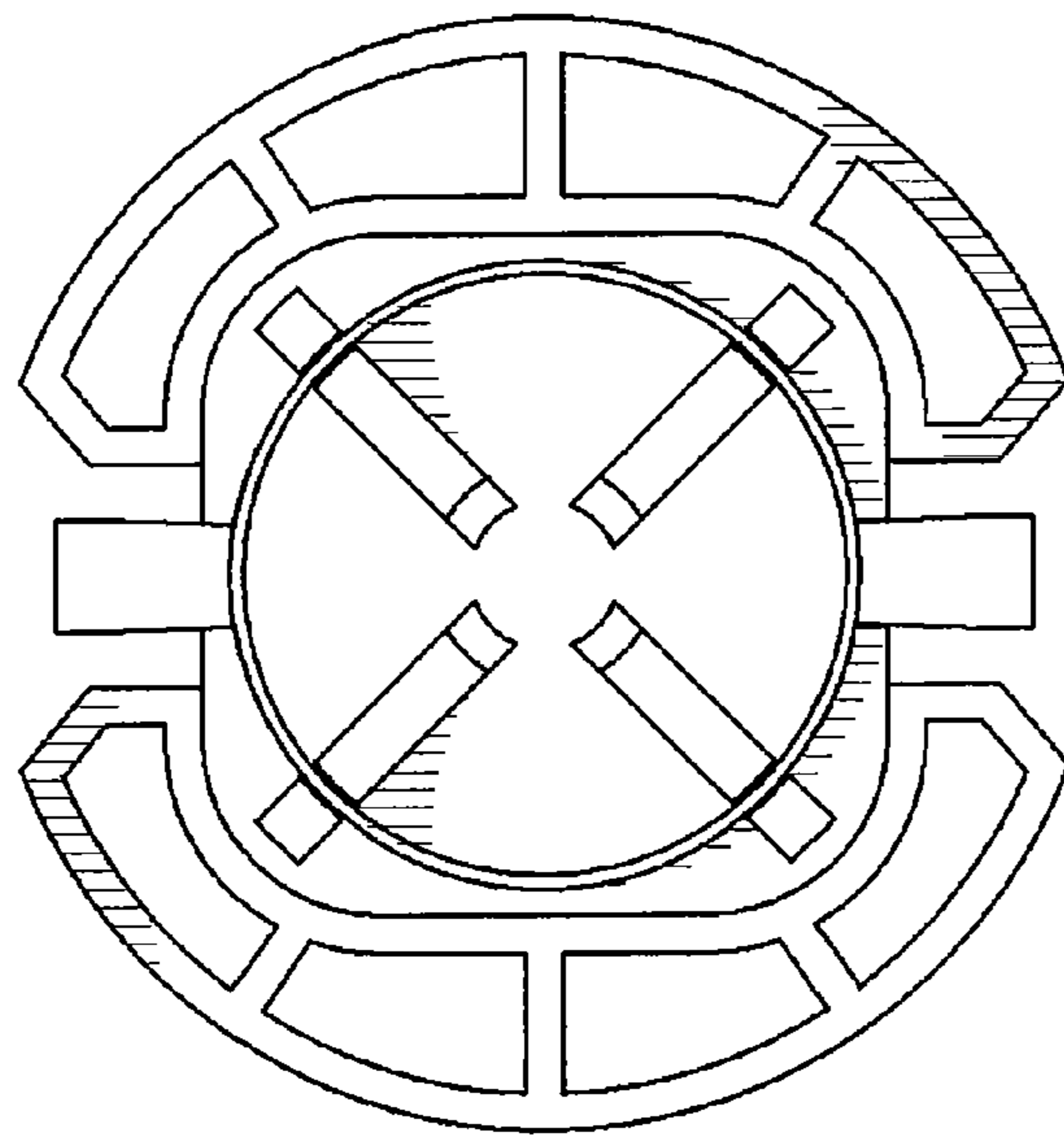


FIG. 6

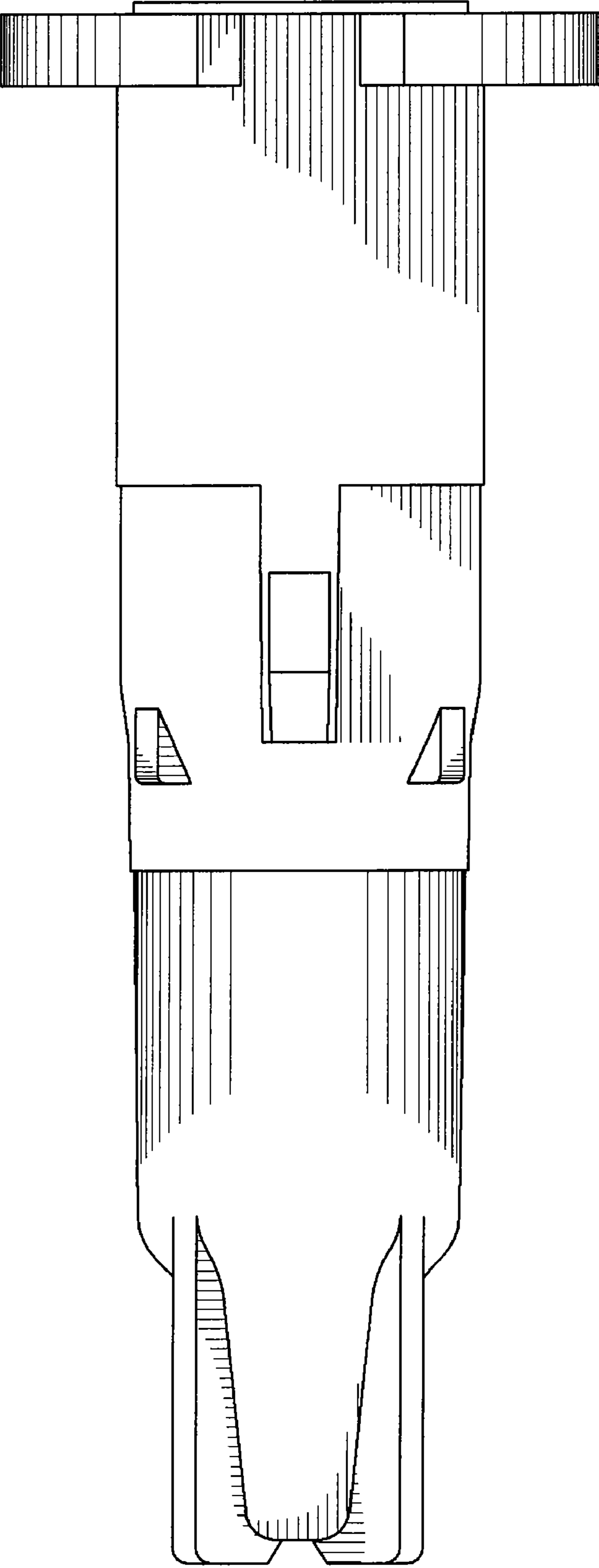


FIG. 7

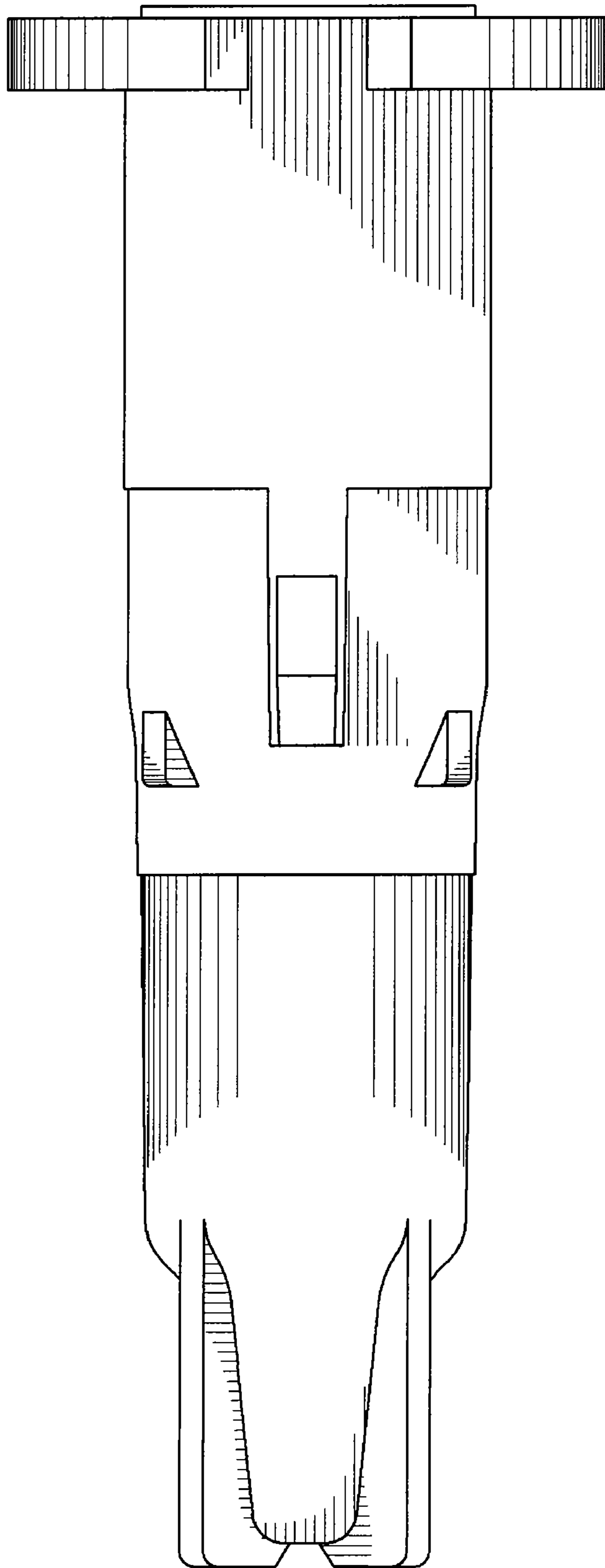


FIG. 8

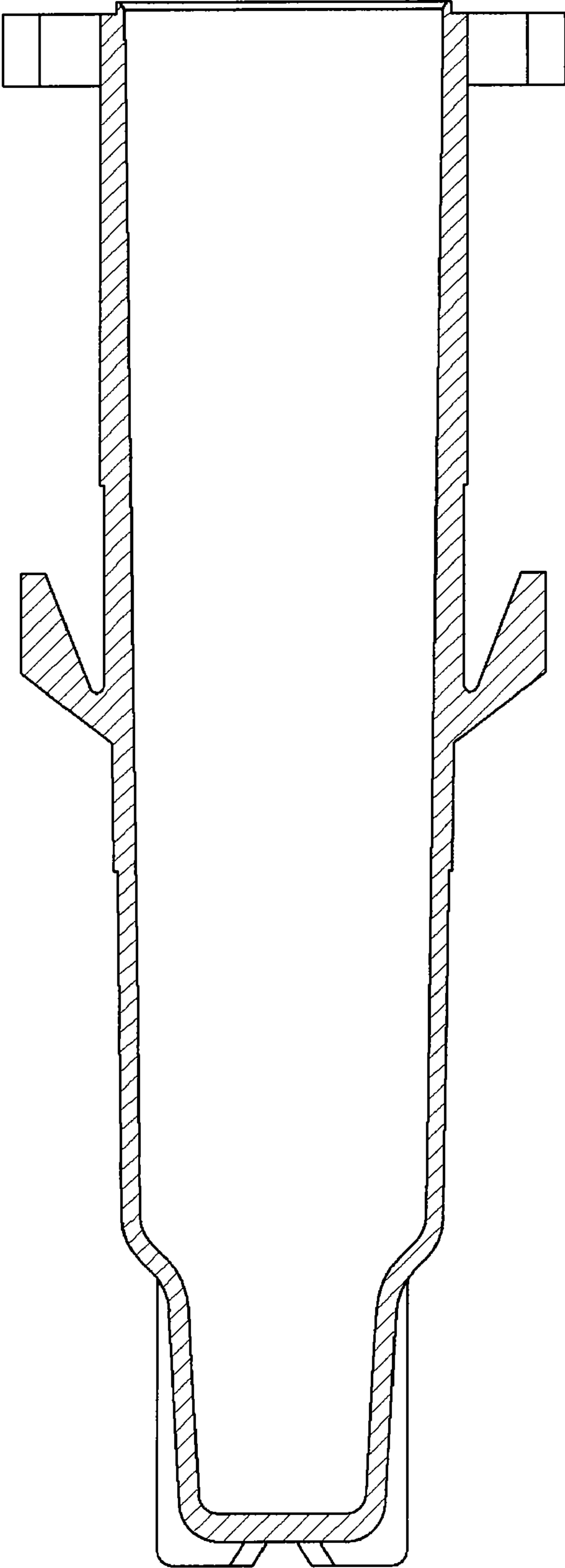


FIG. 9

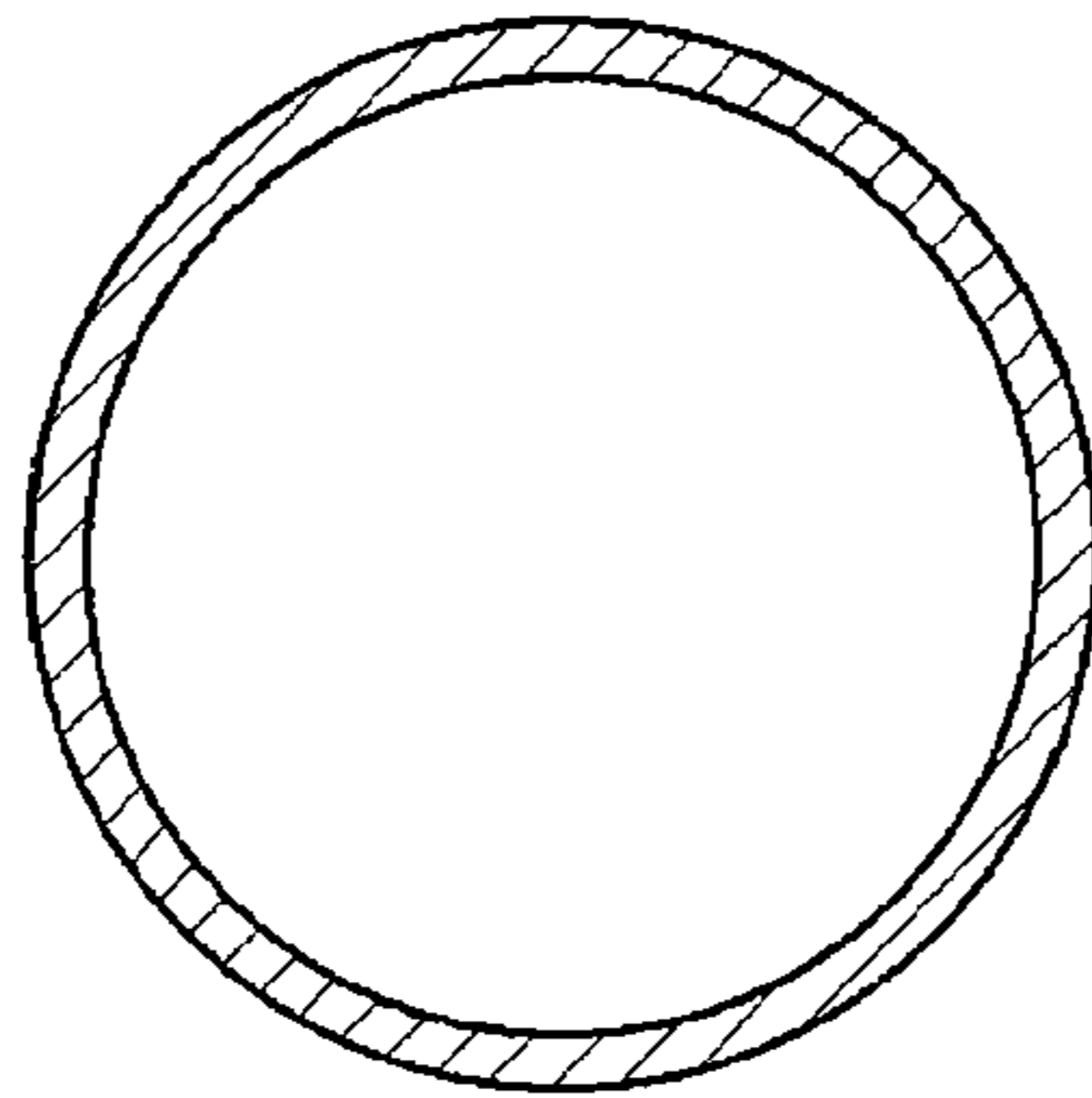


FIG. 10

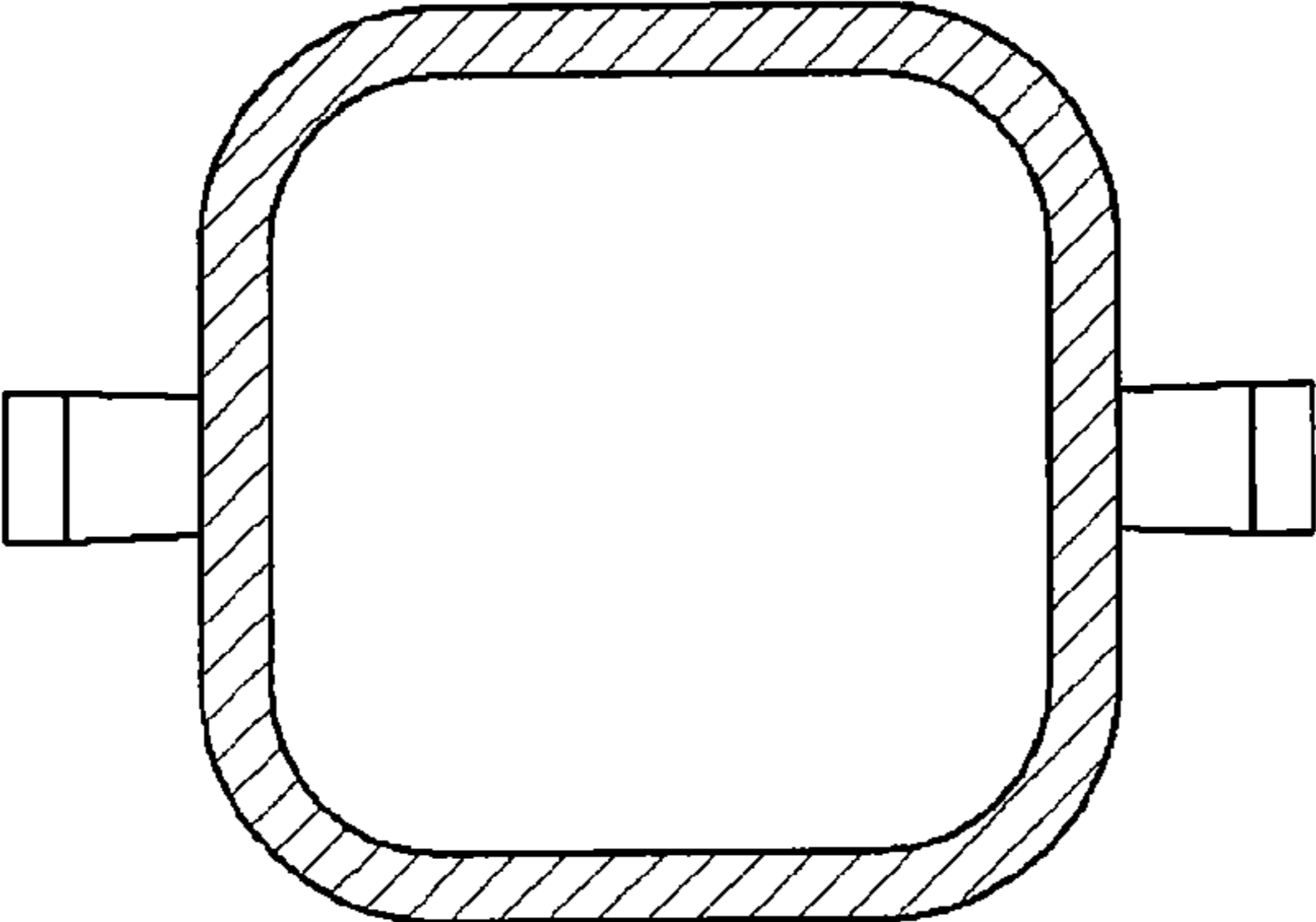


FIG. 11

