



US00D652146S

(12) **United States Design Patent**
Francis

(10) **Patent No.:** **US D652,146 S**
(45) **Date of Patent:** **** Jan. 10, 2012**

- (54) **NIPPLE SHIELD**
- (75) Inventor: **Jimi Francis**, Reno, NV (US)
- (73) Assignee: **Simplisse, Inc.**, St. Louis, MO (US)
- (**) Term: **14 Years**
- (21) Appl. No.: **29/388,061**
- (22) Filed: **Mar. 23, 2011**

Related U.S. Application Data

- (62) Division of application No. 29/343,404, filed on Sep. 11, 2009, now Pat. No. Des. 637,726.
- (51) **LOC (9) Cl.** **24-04**
- (52) **U.S. Cl.** **D24/196; D24/193**
- (58) **Field of Classification Search** D24/190, D24/193-199; 128/889, 890; 604/74-76, 604/346; 450/31, 32, 37-39, 55, 57, 81
See application file for complete search history.

References Cited

U.S. PATENT DOCUMENTS

16,396	A	1/1857	Parker	
77,393	A	4/1868	McLaughlin	
114,281	A	5/1871	Foster	
751,415	A	2/1904	Prindle	
1,032,518	A	7/1912	Thieringer	
1,082,198	A	12/1913	Jencsa	
1,165,275	A	12/1915	Montgomery	
2,364,866	A	12/1944	Meynier, Jr.	
2,543,499	A *	2/1951	Kausch	623/7
2,579,365	A *	12/1951	Conde	450/39
5,100,406	A *	3/1992	Panchula	604/74
5,171,321	A *	12/1992	Davis	623/7
5,281,186	A	1/1994	Buckley et al.	
D365,399	S	12/1995	Silver	
5,476,490	A	12/1995	Silver	
D381,752	S	7/1997	McCoy	
5,776,177	A	7/1998	MacWhinnie et al.	

5,885,246	A *	3/1999	Ford	604/74
5,897,580	A	4/1999	Silver	
D417,735	S	12/1999	Ford	
6,261,313	B1	7/2001	MacWhinnie et al.	
6,387,072	B1	5/2002	Larsson et al.	
6,540,585	B1	4/2003	Lee	
6,723,066	B2	4/2004	Larsson et al.	
6,962,519	B1	11/2005	Clark	
7,152,606	B1	12/2006	Schindler	
7,175,502	B2	2/2007	Clark	
D550,851	S	9/2007	Roehrig	
D561,235	S *	2/2008	Larsen	D17/20
7,335,183	B2 *	2/2008	Buiatti	604/76
D564,656	S *	3/2008	Matsutori et al.	D24/109
7,566,344	B2 *	7/2009	Hansen	623/7

(Continued)

FOREIGN PATENT DOCUMENTS

DE 4415939 C1 1/1996

(Continued)

Primary Examiner — Susan E Krakower

(74) *Attorney, Agent, or Firm* — Armstrong Teasdale LLP

(57) **CLAIM**

The ornamental design for a nipple shield, as shown and described.

DESCRIPTION

FIG. 1 is a perspective of my new nipple shield;

FIG. 2 is a front elevation thereof;

FIG. 3 is a rear elevation thereof;

FIG. 4 is a right side elevation thereof;

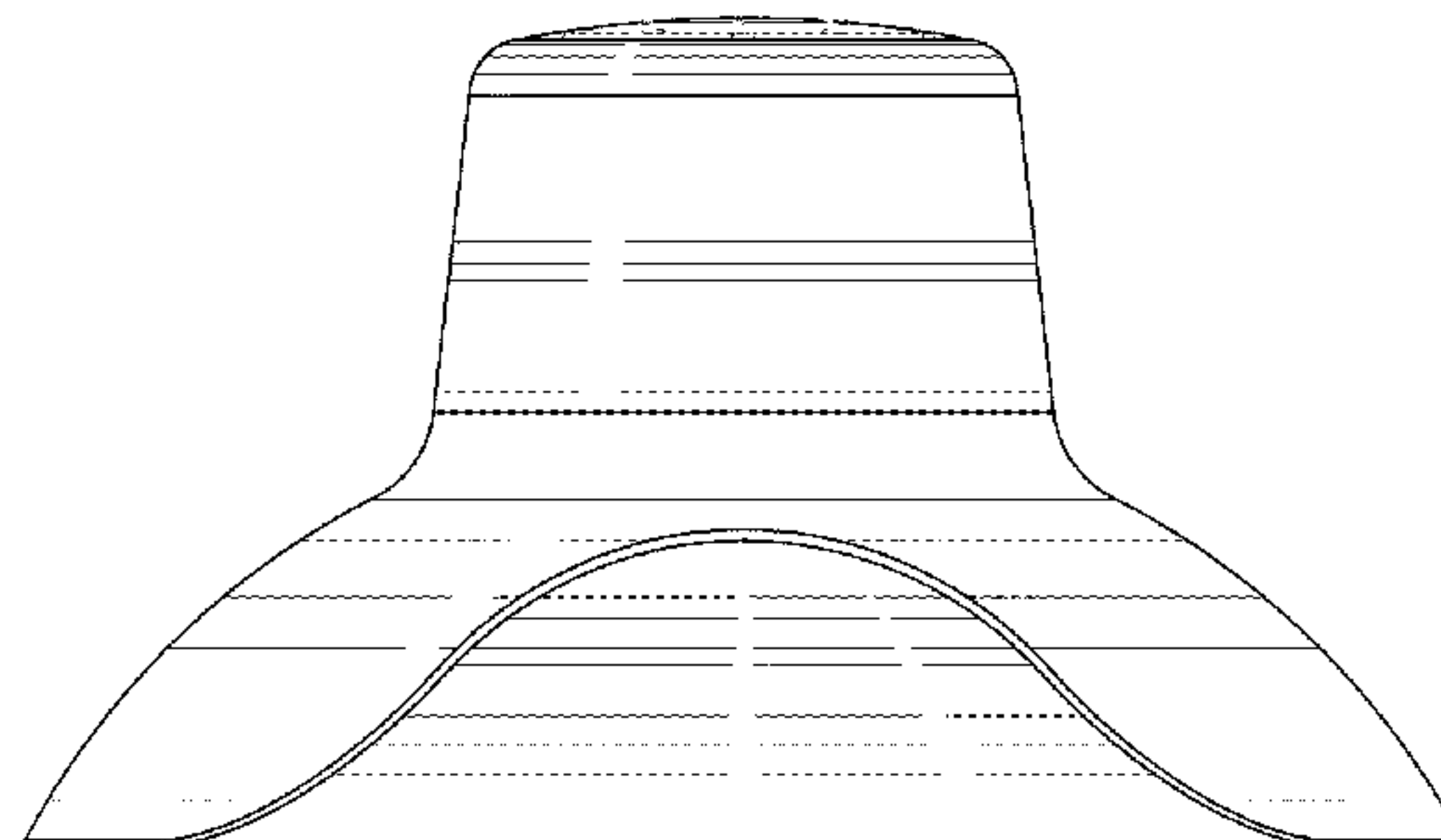
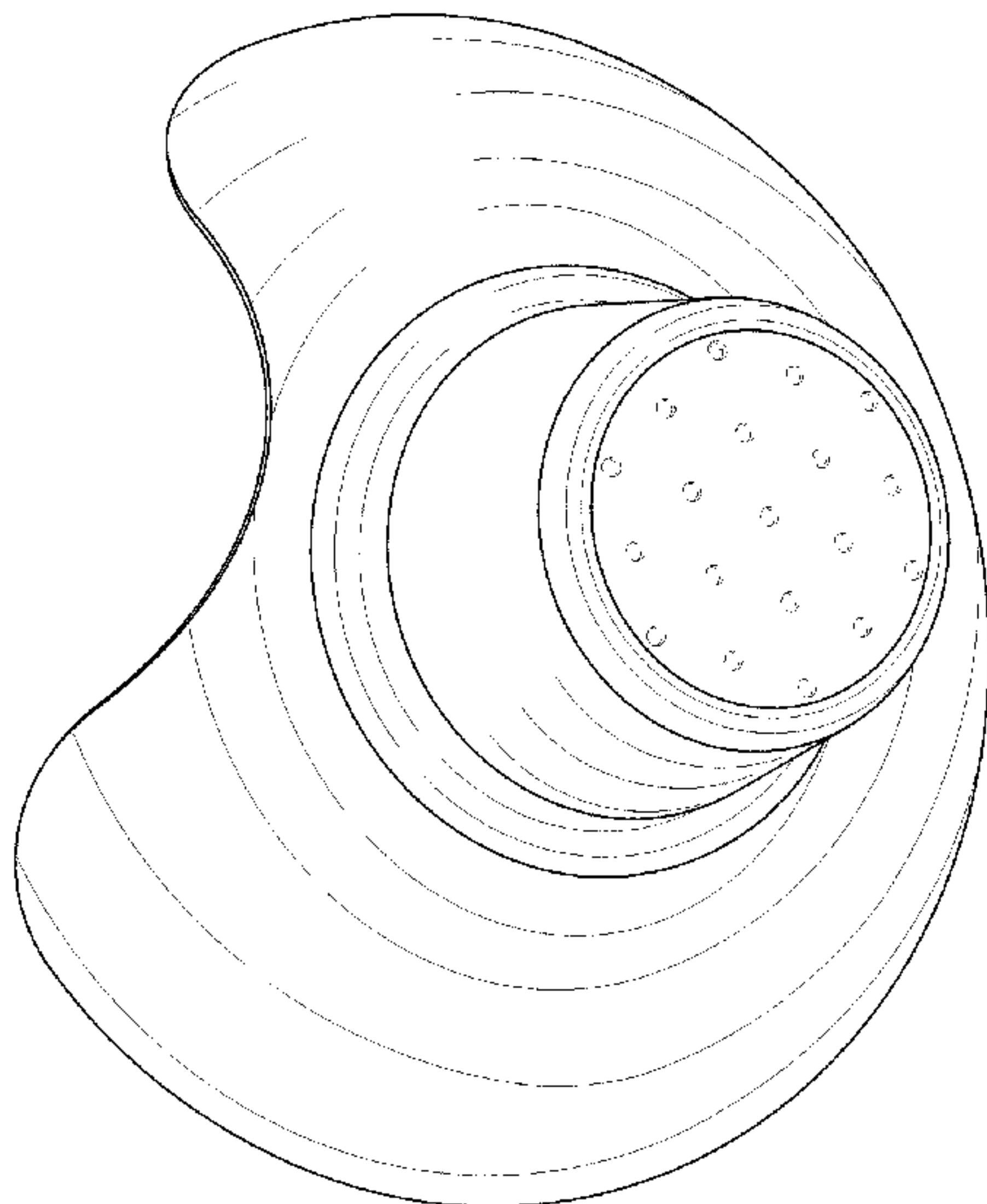
FIG. 5 is a left side elevation thereof;

FIG. 6 is a top plan view thereof; and,

FIG. 7 is a bottom plan view thereof.

The broken lines showing nineteen (19) circular elements on the top surface of the nipple shield illustrate environmental structure and form no part of the claimed design.

1 Claim, 7 Drawing Sheets



US D652,146 S

Page 2

U.S. PATENT DOCUMENTS

D598,117 S 8/2009 Yamashita et al.
7,682,334 B2 * 3/2010 Greter et al. 604/74
7,766,865 B2 * 8/2010 Rollin 604/74
D628,301 S * 11/2010 Olshansky D24/194
D637,726 S * 5/2011 Francis D24/196
2004/0178162 A1 9/2004 Zucker-Franklin
2005/0239369 A1 10/2005 Clark
2006/0030239 A1 2/2006 Clark
2006/0111665 A1 5/2006 Gillan
2006/0116632 A1 6/2006 Gillan

2006/0157065 A1 7/2006 Rohrig
2009/0124967 A1 5/2009 Zucker-Franklin
2009/0194116 A1 8/2009 Pacini
2009/0283101 A1 11/2009 Mans

FOREIGN PATENT DOCUMENTS

DE 20219950 U1 3/2003
JP 2000325433 A 11/2000
SE 528831 C2 2/2007

* cited by examiner

FIG. 1

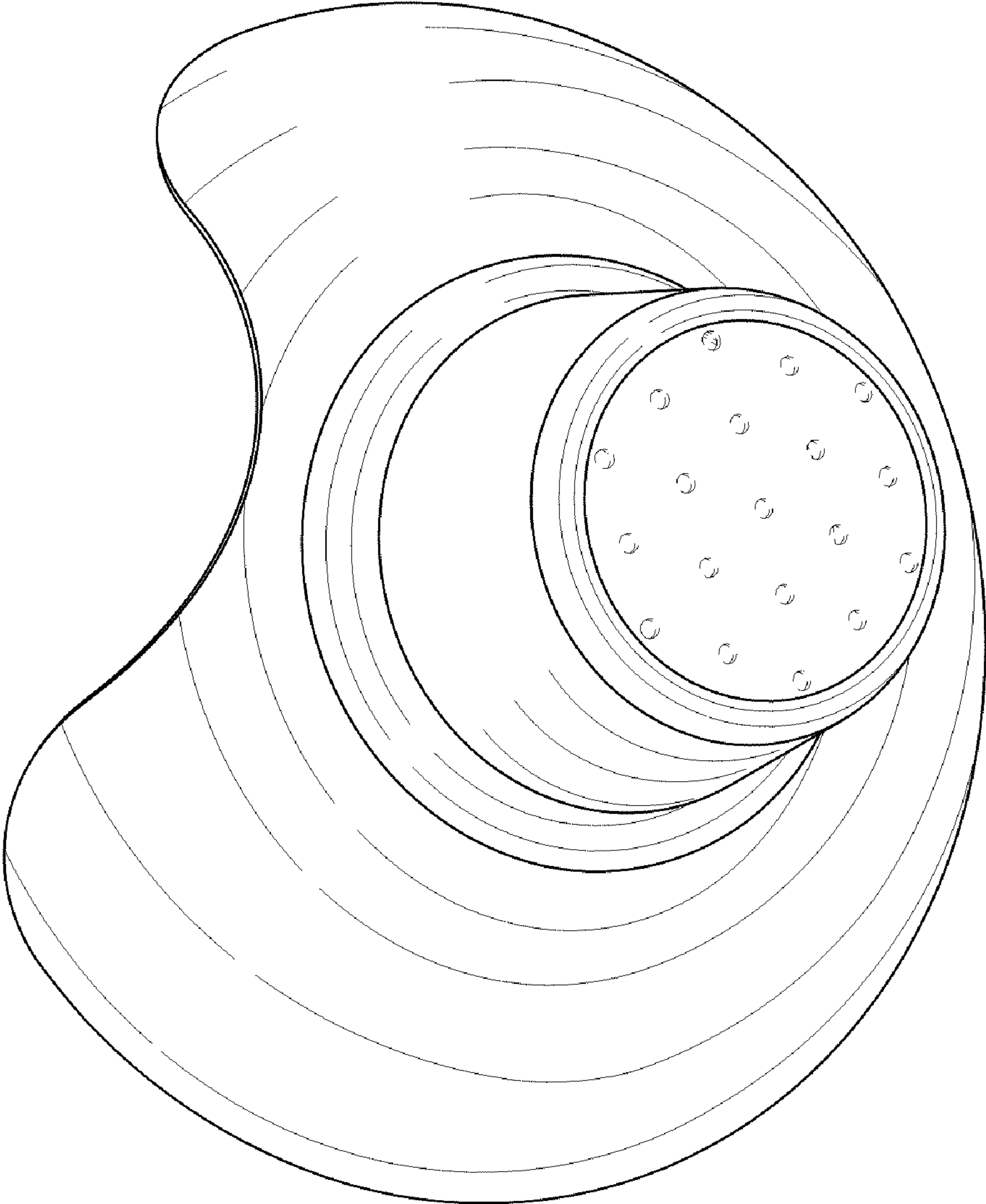


FIG. 2

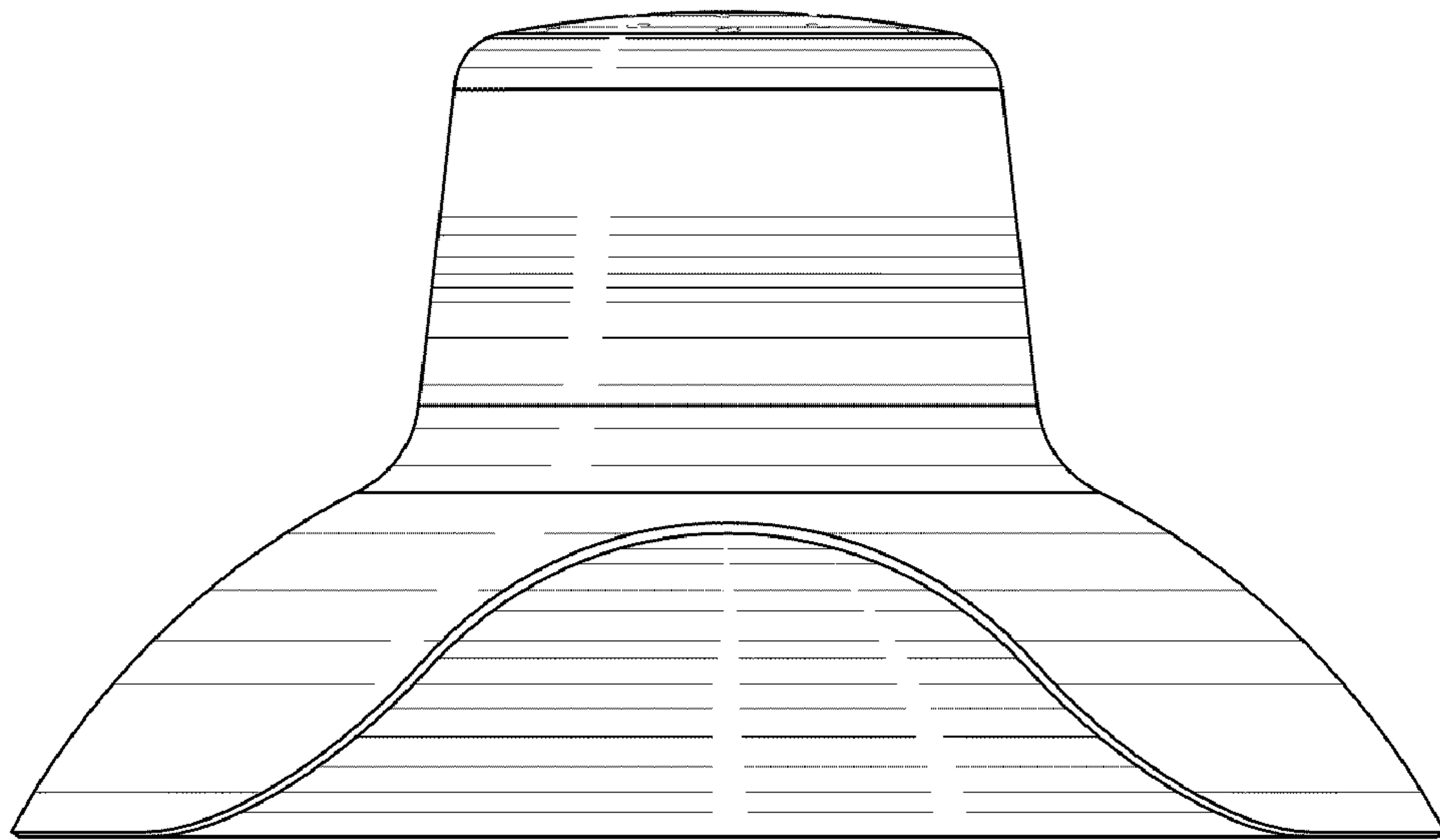


FIG. 3

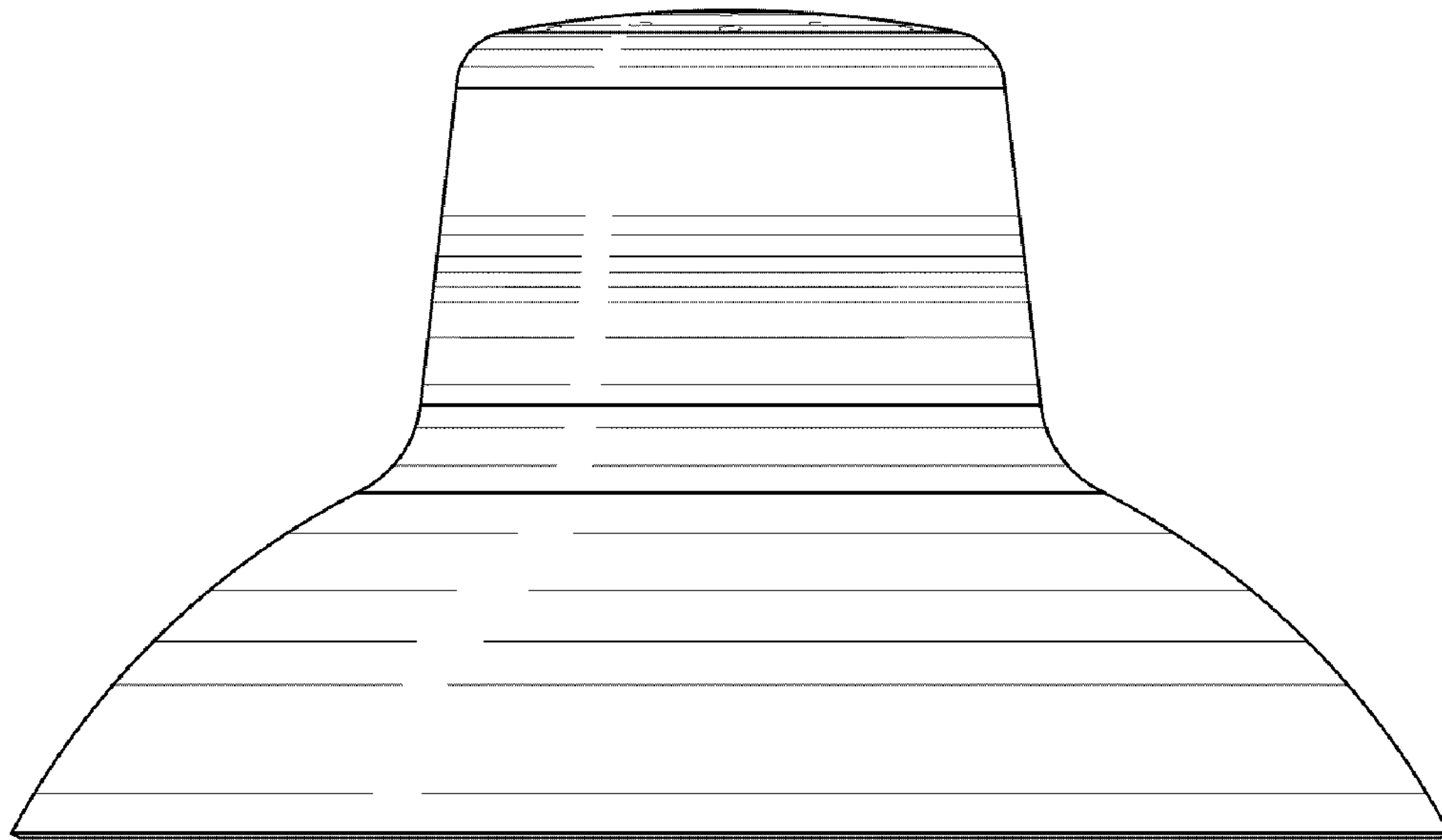


FIG. 4

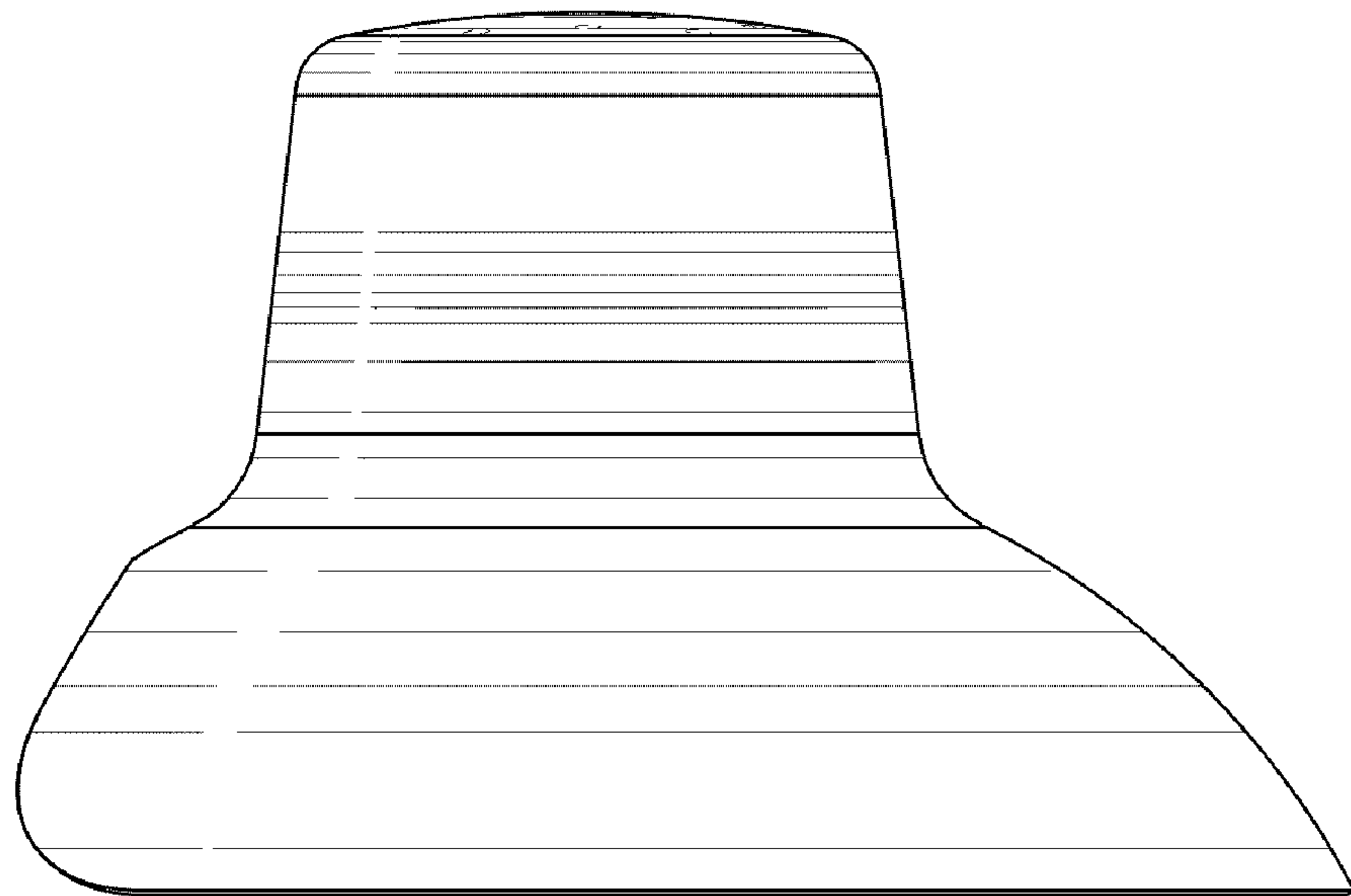


FIG. 5

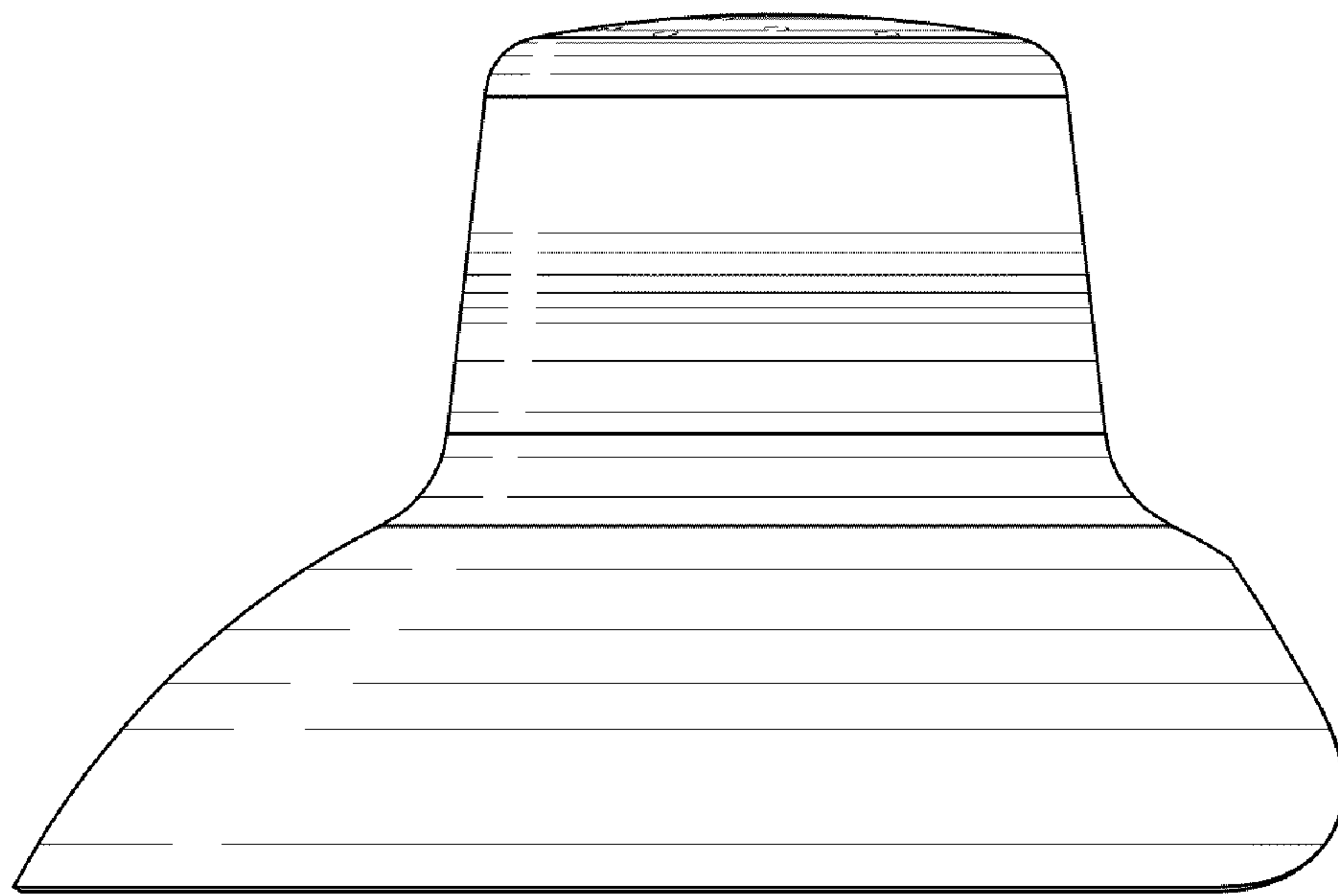


FIG. 6

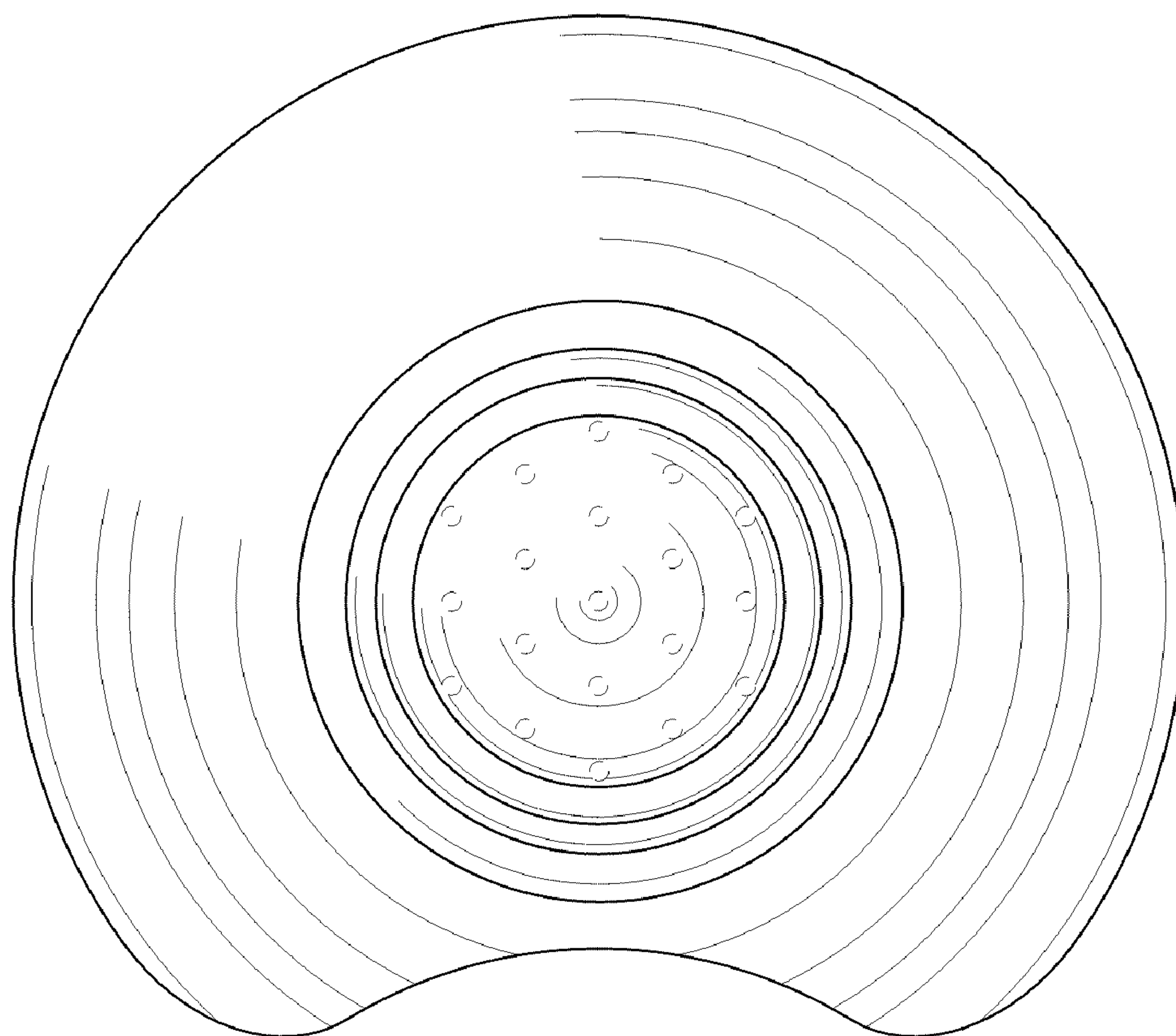


FIG. 7

