



US00D652145S

(12) **United States Design Patent**  
**Topaz**

(10) **Patent No.:** **US D652,145 S**  
(45) **Date of Patent:** **\*\* Jan. 10, 2012**

(54) **WOUND CLOSURE DEVICES**

(76) Inventor: **Moris Topaz**, Raanana (IL)

(\*\*) Term: **14 Years**

(21) Appl. No.: **29/359,680**

(22) Filed: **Apr. 14, 2010**

(30) **Foreign Application Priority Data**

Oct. 14, 2009 (IL) ..... 48418  
Oct. 14, 2009 (IL) ..... 48419

(51) **LOC (9) Cl.** ..... **24-02**

(52) **U.S. Cl.** ..... **D24/145**

(58) **Field of Classification Search** ..... D24/145,  
D24/107, 133, 127, 149, 147, 190; 128/888-889;  
602/41-43, 52, 54, 56-57, 46, 48, 79; 604/304,  
604/306-307, 19, 93, 174, 288.01, 327, 540,  
604/543; 424/445; D3/287, 290; 606/215,  
606/217, 220

See application file for complete search history.

(56) **References Cited**

**U.S. PATENT DOCUMENTS**

2,751,909 A \* 6/1956 Weitzner ..... 606/215  
3,971,384 A \* 7/1976 Hasson ..... 606/218  
4,780,168 A \* 10/1988 Beisang et al. .... 606/215  
4,905,681 A \* 3/1990 Glascock ..... 128/888  
5,000,741 A \* 3/1991 Kalt ..... 604/180

D333,193 S \* 2/1993 Archambault ..... D24/190  
5,259,835 A \* 11/1993 Clark et al. .... 602/48  
5,439,469 A \* 8/1995 Heaven et al. .... 606/144  
5,497,788 A \* 3/1996 Inman et al. .... 128/888  
5,630,430 A \* 5/1997 Shultz et al. .... 128/888  
D424,699 S \* 5/2000 Allen ..... D24/189  
6,293,281 B1 \* 9/2001 Shultz et al. .... 128/888  
6,293,917 B1 \* 9/2001 Augustine et al. .... 602/41  
6,343,604 B1 \* 2/2002 Beall ..... 128/888  
7,182,763 B2 \* 2/2007 Nardella ..... 606/41  
7,605,299 B2 \* 10/2009 Zoicher ..... 602/58  
D623,740 S \* 9/2010 Harris et al. .... D24/133  
7,981,136 B2 \* 7/2011 Weiser ..... 602/42  
2011/0166492 A1 \* 7/2011 Holm et al. .... 602/48

\* cited by examiner

*Primary Examiner* — Wan Laymon

(74) *Attorney, Agent, or Firm* — Bachman & LaPointe, P.C.

(57) **CLAIM**

The ornamental design for a wound closure devices, as shown and described.

**DESCRIPTION**

FIG. 1 is a front perspective view of the wound closure device which is a combination of two wound closure clips and a strap according to the invention;

FIG. 2 is another front perspective view thereof;

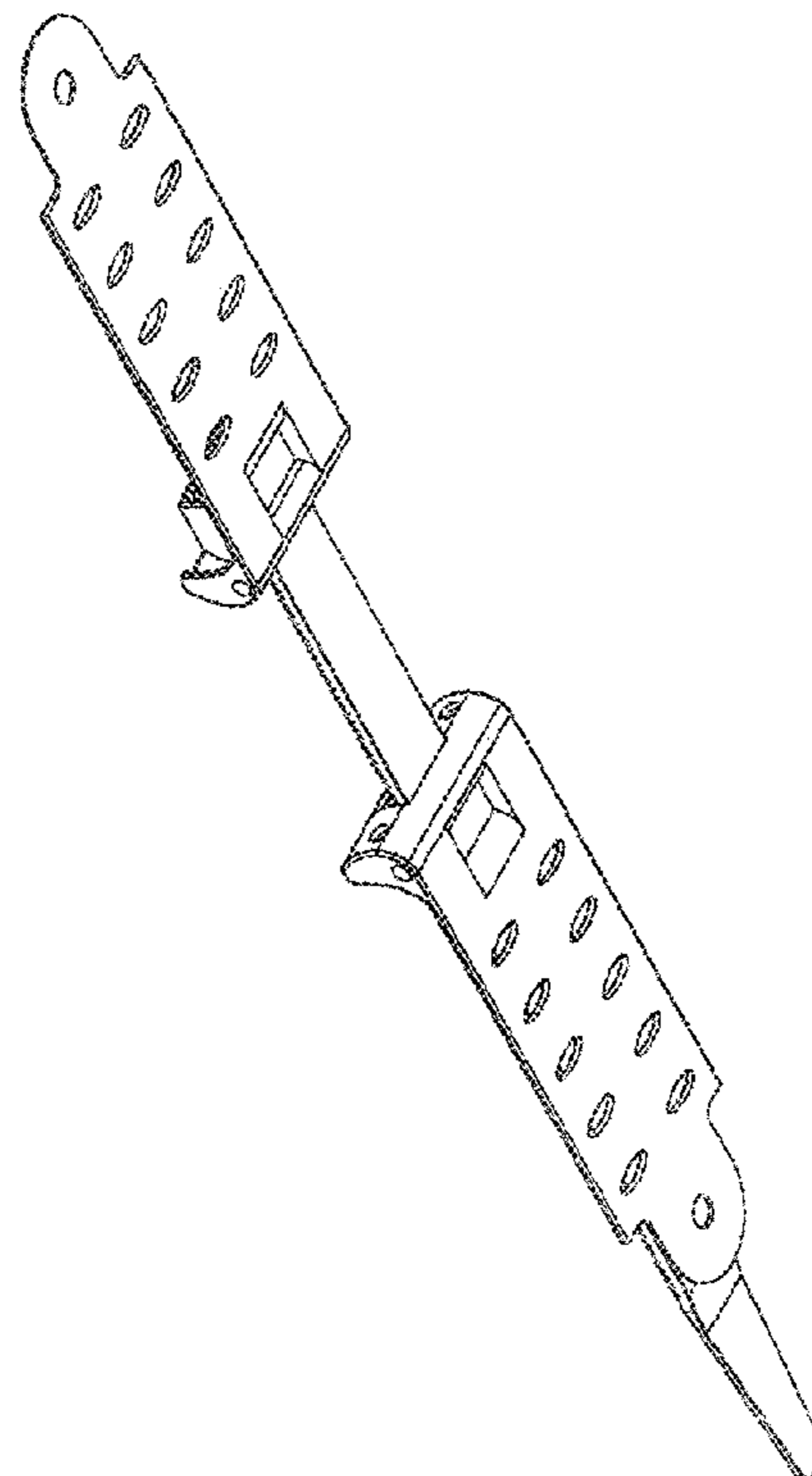
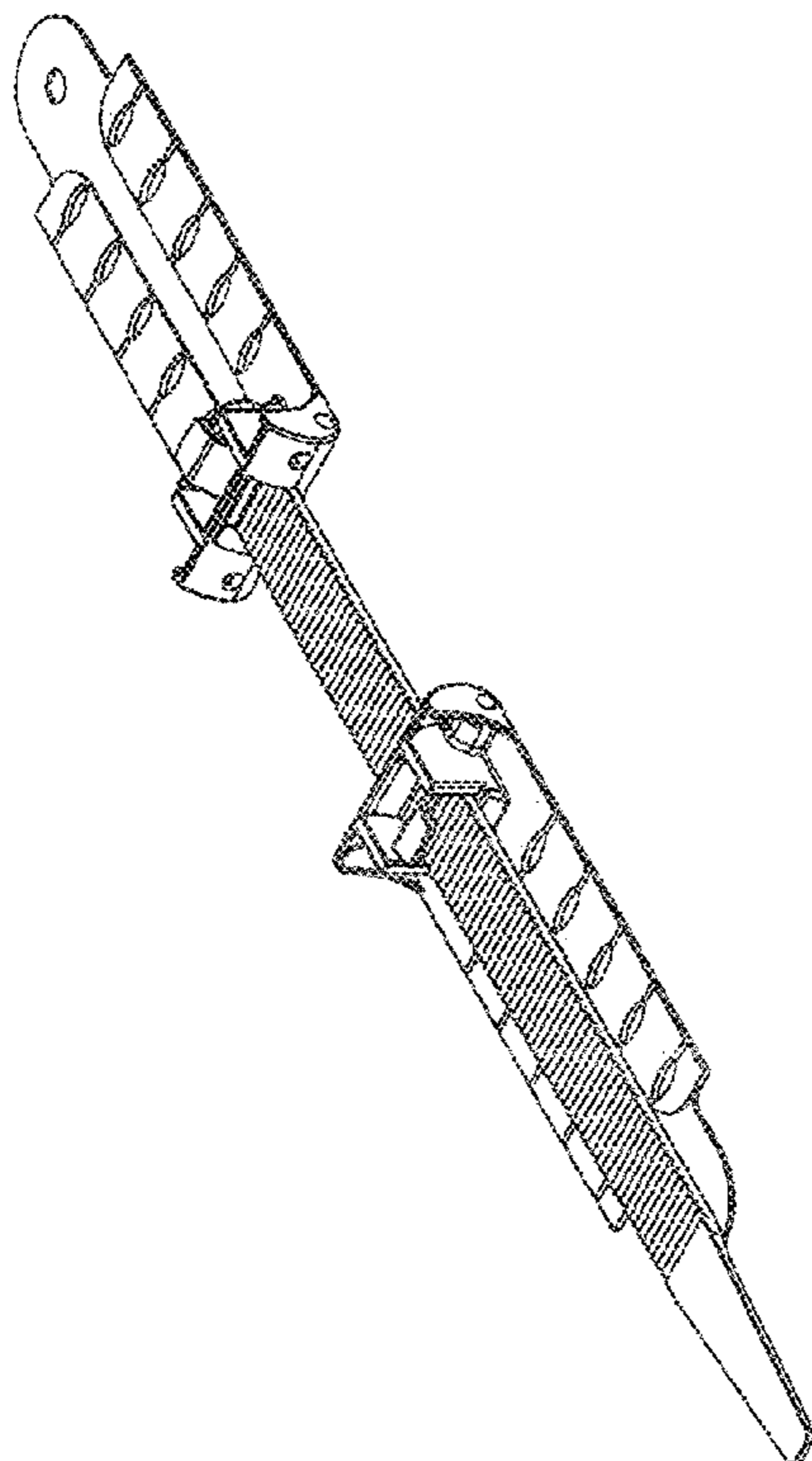
FIG. 3 is a rear perspective view thereof;

FIG. 4 is a rear view thereof;

FIG. 5 is a side view thereof; and,

FIG. 6 is a front view thereof.

**1 Claim, 4 Drawing Sheets**



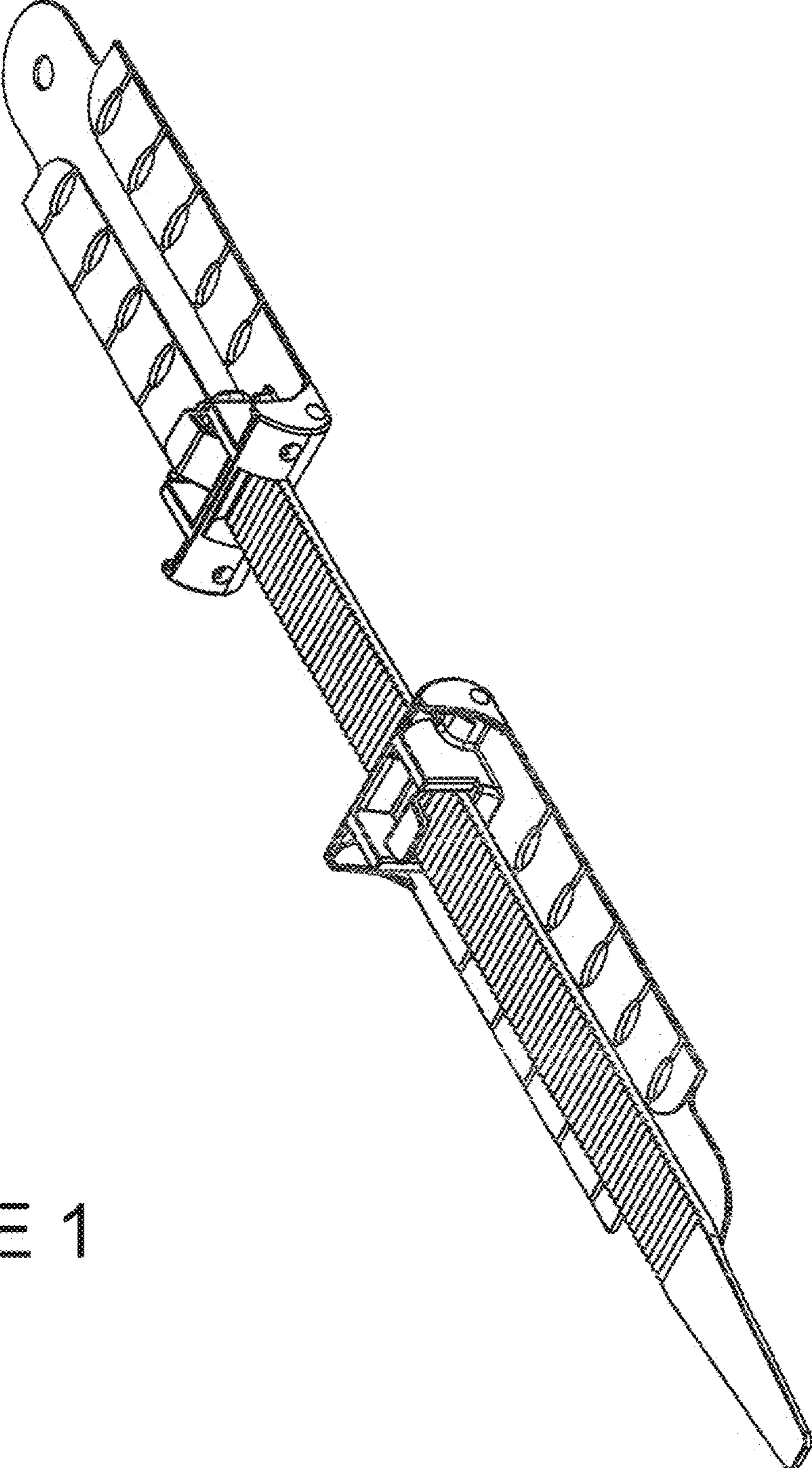


FIGURE 1

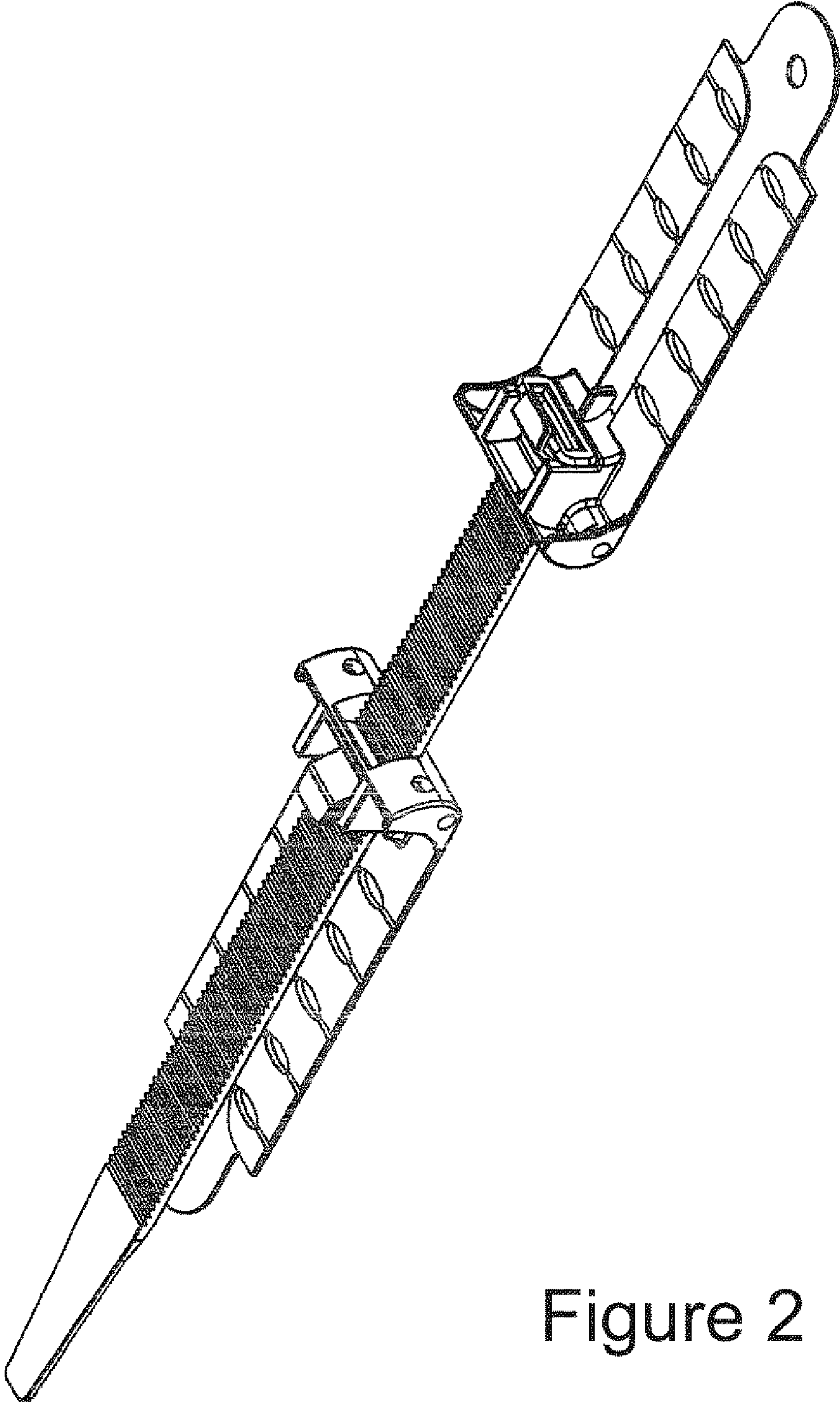


Figure 2



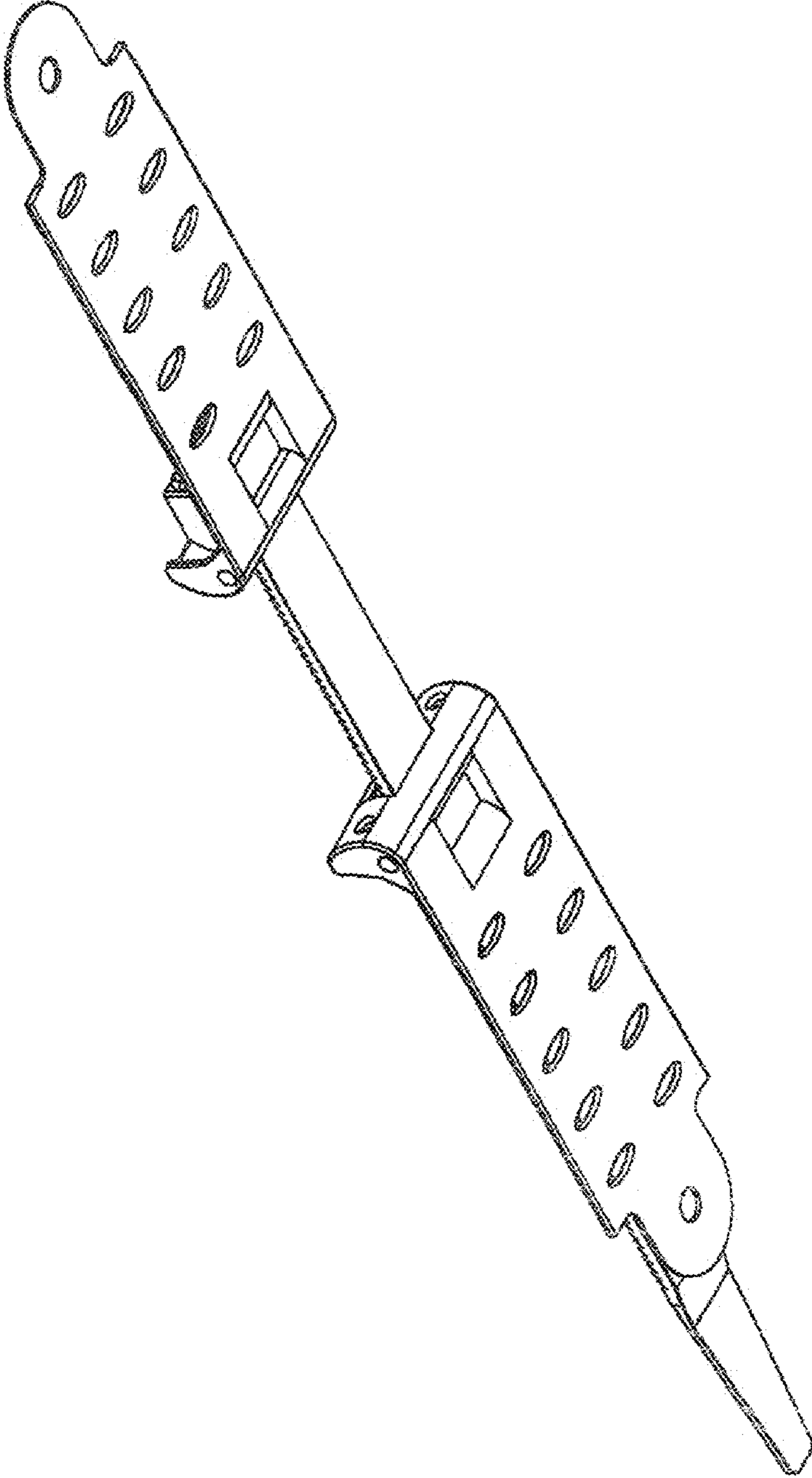


Figure 3

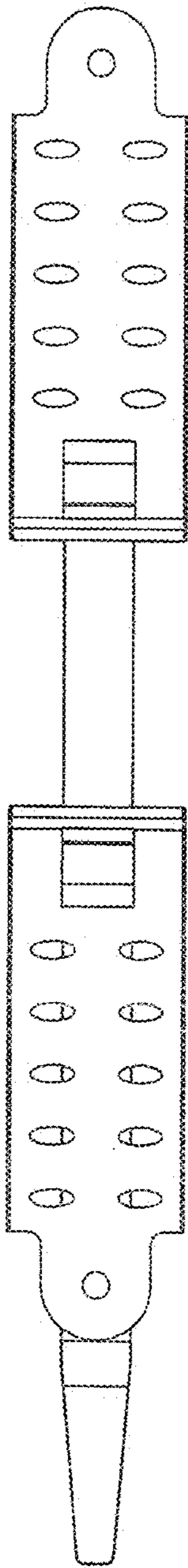


Figure 4

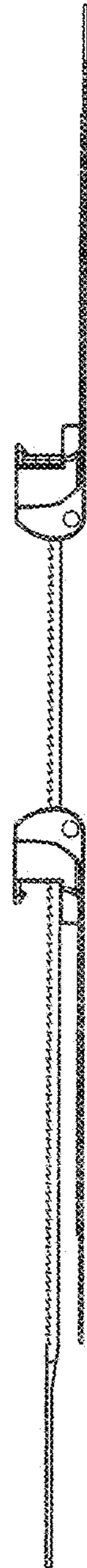


Figure 5

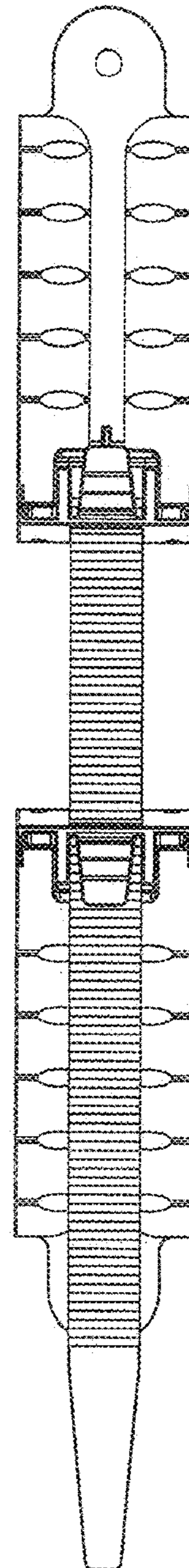


Figure 6