



US00D652144S

(12) **United States Design Patent**  
**Stotland et al.**

(10) **Patent No.:** **US D652,144 S**  
(45) **Date of Patent:** **\*\* Jan. 10, 2012**

(54) **GAUGE FOR DETERMINING NOSTRIL DEFORMITY**

(75) Inventors: **Mitchell A. Stotland**, Norwich, VT (US); **Steven D. Reinitz**, Wyckoff, NJ (US)

(73) Assignee: **Dartmouth-Hitchcock Clinic**, Lebanon, NH (US)

(\*\*) Term: **14 Years**

(21) Appl. No.: **29/387,725**

(22) Filed: **Mar. 17, 2011**

(51) **LOC (9) Cl.** ..... **24-02**

(52) **U.S. Cl.** ..... **D24/140**

(58) **Field of Classification Search** ..... D24/133, D24/135, 136, 140; 606/191–199; 600/587; 33/514–514.2

See application file for complete search history.

(56) **References Cited**

**U.S. PATENT DOCUMENTS**

146,974	A	2/1874	Allen	
560,191	A *	5/1896	Byerly	33/514.2
4,216,586	A	8/1980	Long	
4,414,977	A	11/1983	Rezakhany	
5,336,163	A	8/1994	DeMane et al.	
6,106,541	A	8/2000	Hurbis	
6,270,512	B1	8/2001	Rittmann	
6,616,594	B2 *	9/2003	Fontayne et al.	600/7
6,761,693	B1	7/2004	Rasmussen	
6,971,388	B1 *	12/2005	Michaels	128/206.11
D554,752	S *	11/2007	Reed	D24/135
D572,361	S *	7/2008	Noce	D24/135
D573,711	S *	7/2008	Johnson et al.	D24/133

(Continued)

**FOREIGN PATENT DOCUMENTS**

CN 300706792 \* 11/2007

*Primary Examiner* — Bridget L Eland

(74) *Attorney, Agent, or Firm* — William A. Loginov, Esq.; Loginov & Associates, PLLC

(57) **CLAIM**

The ornamental design for a gauge for determining nostril deformity, substantially as shown.

**DESCRIPTION**

FIG. 1 is a perspective view of a gauge for determining nostril deformity having a center hole, showing our new design, according to a first embodiment;

FIG. 2 is a front elevation view thereof, according to the first embodiment;

FIG. 3 is a rear elevation view thereof, according to the first embodiment;

FIG. 4 is a right side elevation view thereof, according to the first embodiment;

FIG. 5 is a left side elevation view thereof, according to the first embodiment;

FIG. 6 is a top plan view thereof, according to the first embodiment;

FIG. 7 is a bottom plan view thereof, according to the first embodiment;

FIG. 8 is a perspective view of a gauge for determining nostril deformity, showing our new design, according to a second embodiment;

FIG. 9 is a front elevation view thereof, according to the second embodiment;

FIG. 10 is a rear elevation view thereof, according to the second embodiment;

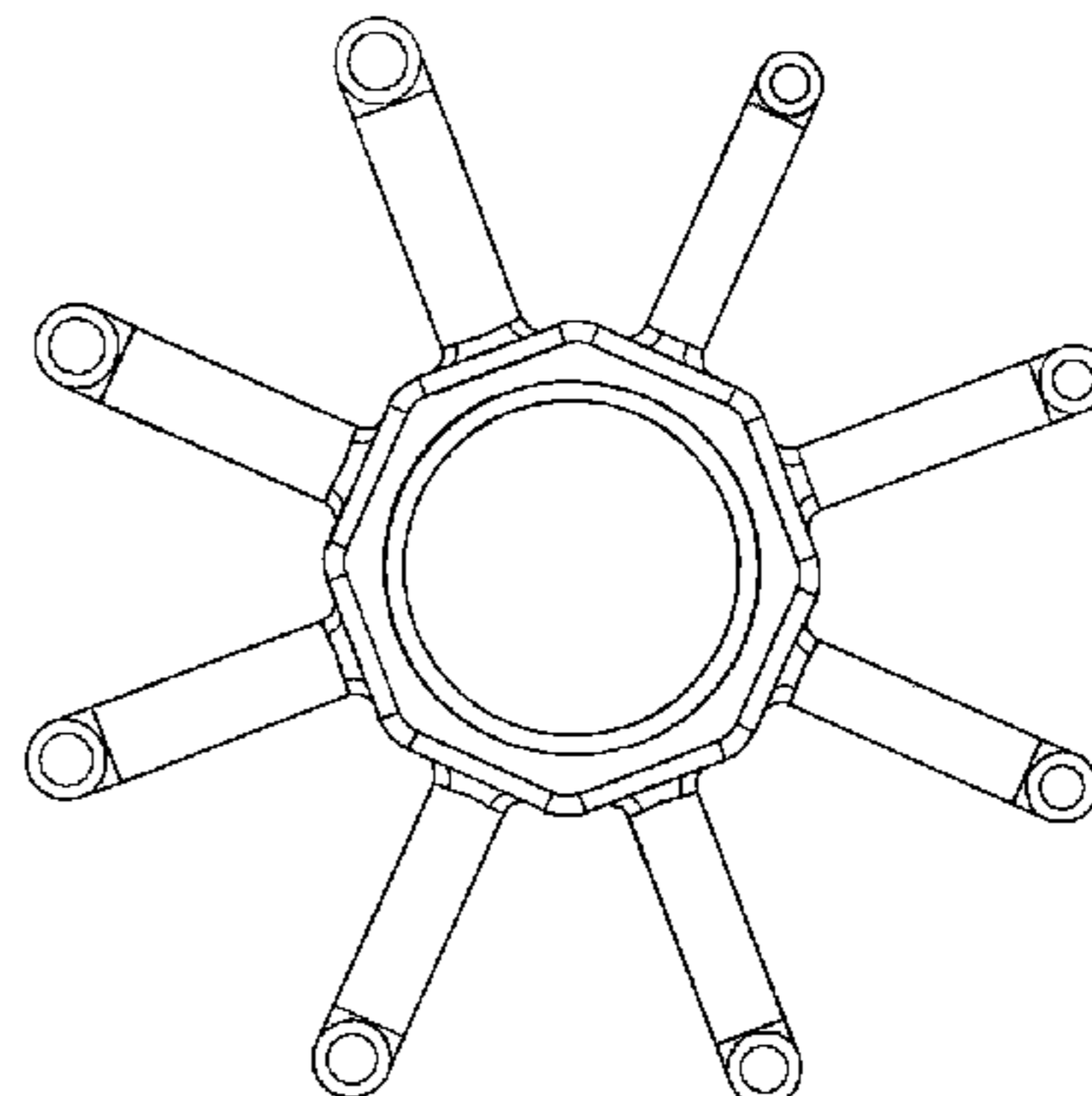
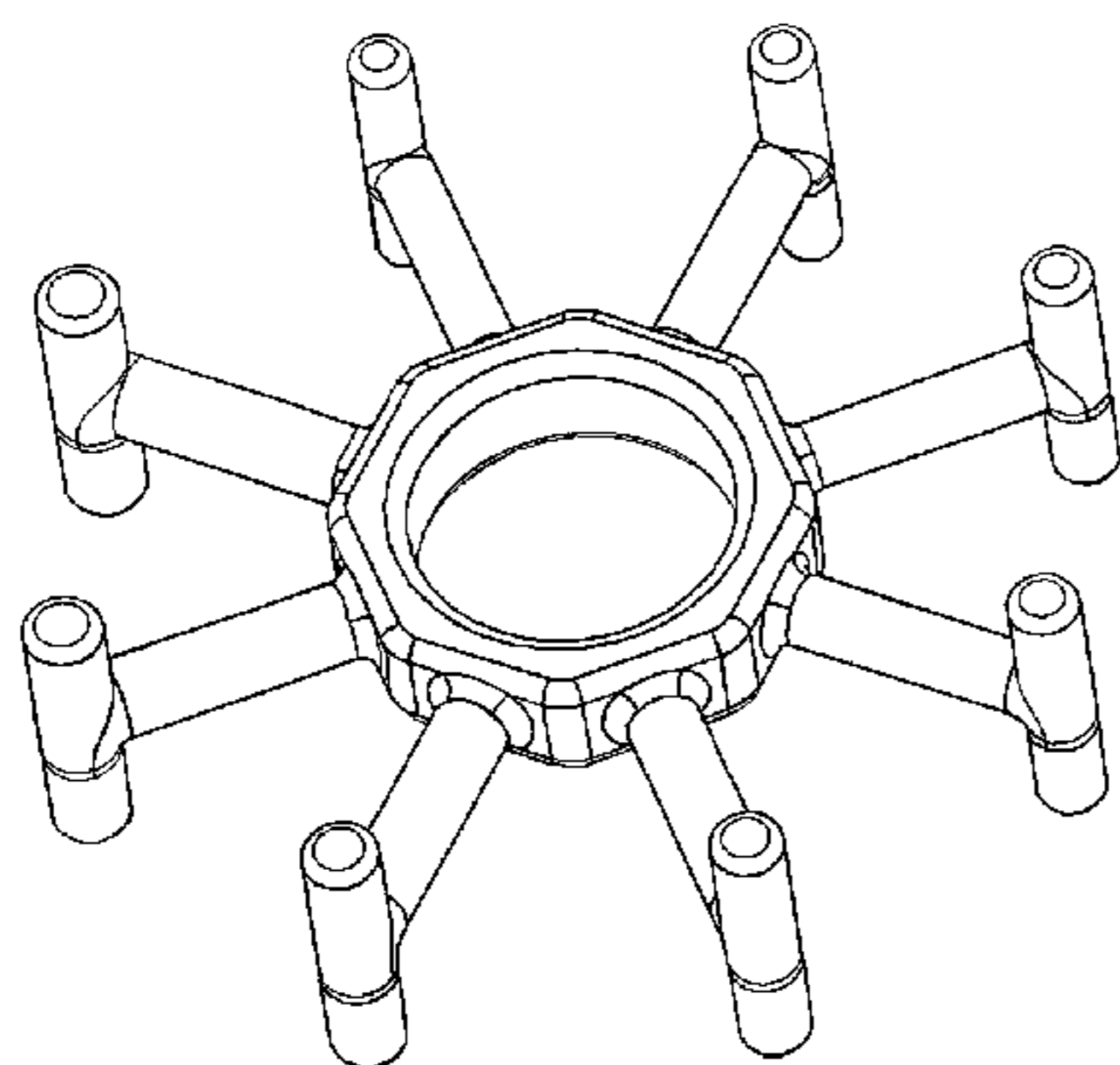
FIG. 11 is a right side elevation view thereof, according to the second embodiment;

FIG. 12 is a left side elevation view thereof, according to the second embodiment;

FIG. 13 is a top plan view thereof, according to the second embodiment; and,

FIG. 14 is a bottom plan view thereof, according to the second embodiment.

**1 Claim, 4 Drawing Sheets**



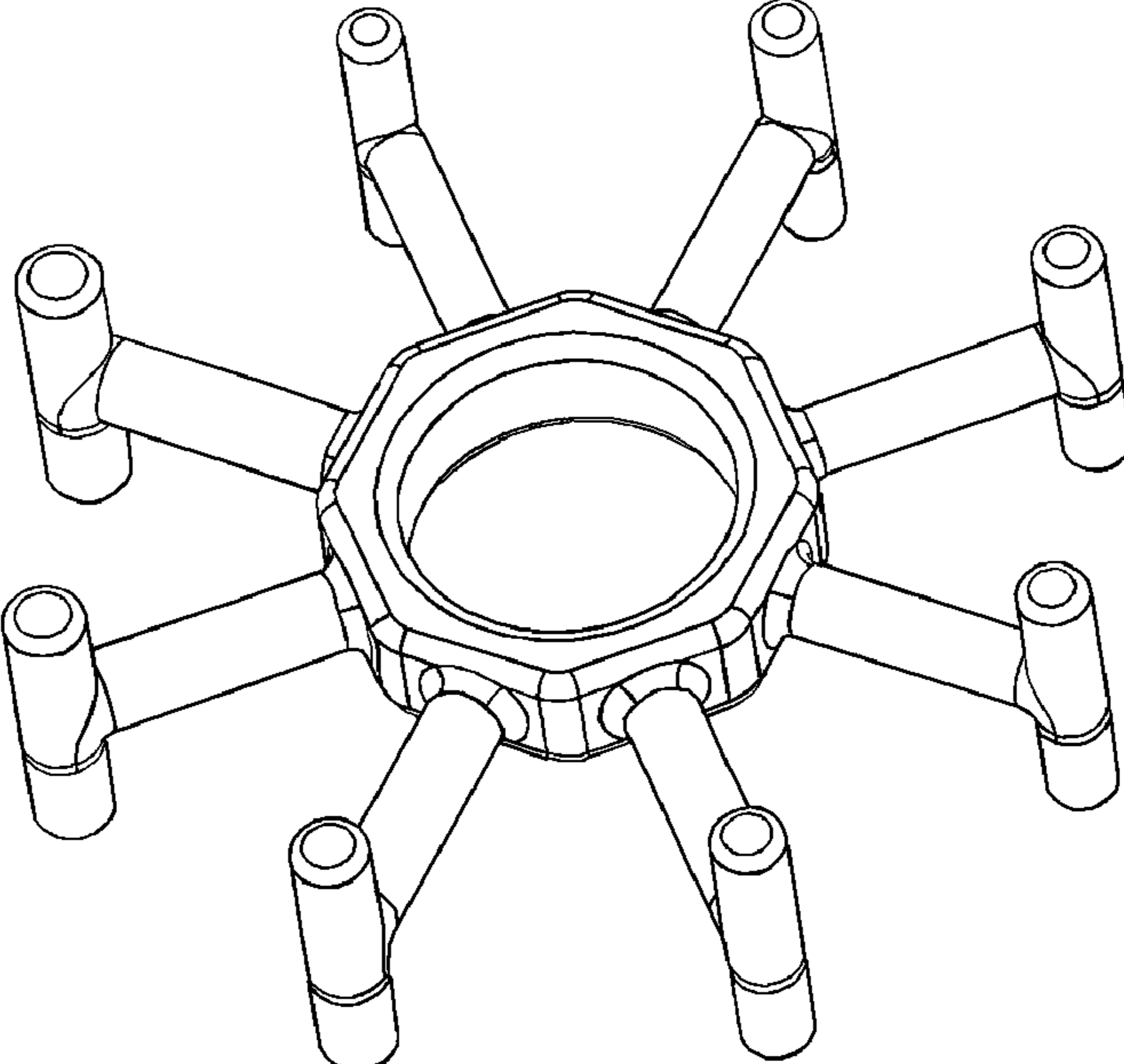
# US D652,144 S

Page 2

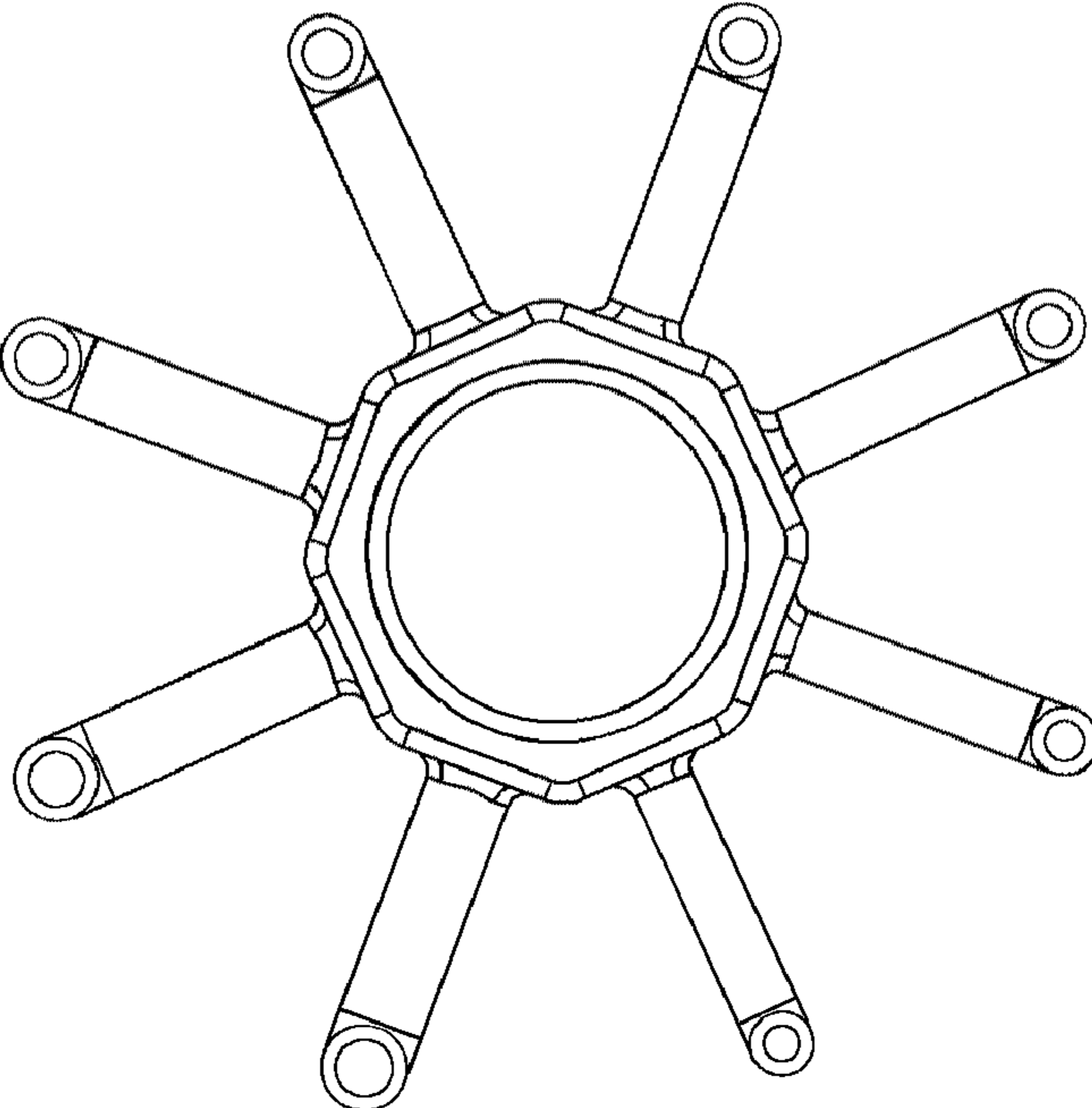
---

U.S. PATENT DOCUMENTS						
D576,726	S *	9/2008	Maxwell	.....	D24/135	
2003/0191475	A1 *	10/2003	McGuire	.....	606/102	
2008/0255560	A1 *	10/2008	Myers et al.	.....	606/63	
2008/0269643	A1	10/2008	Morriss			
						2009/0250066 A1 10/2009 Daly
						2010/0030116 A1* 2/2010 Chana ..... 600/587
						2011/0021975 A1* 1/2011 Covello ..... 604/22

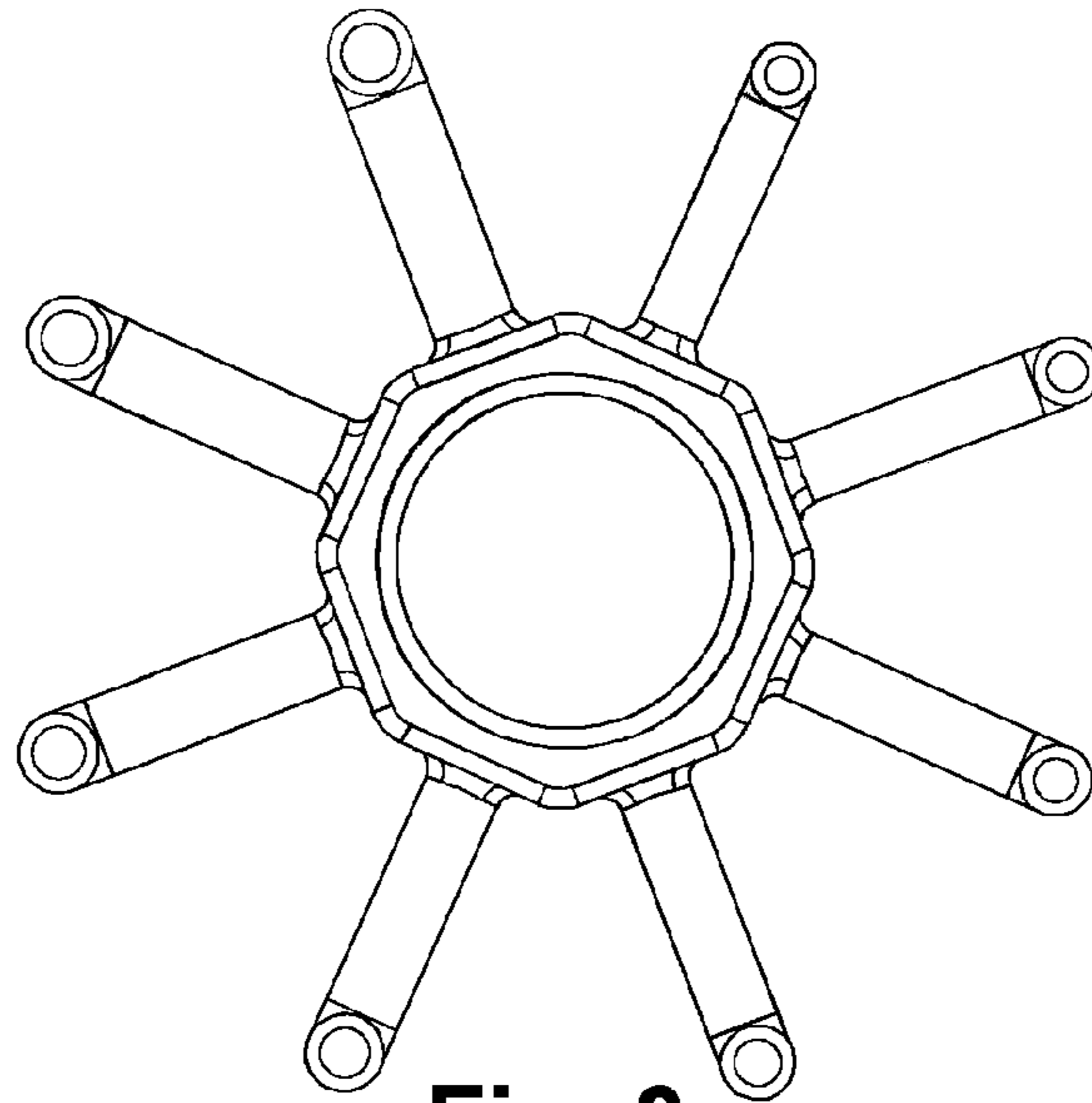
\* cited by examiner



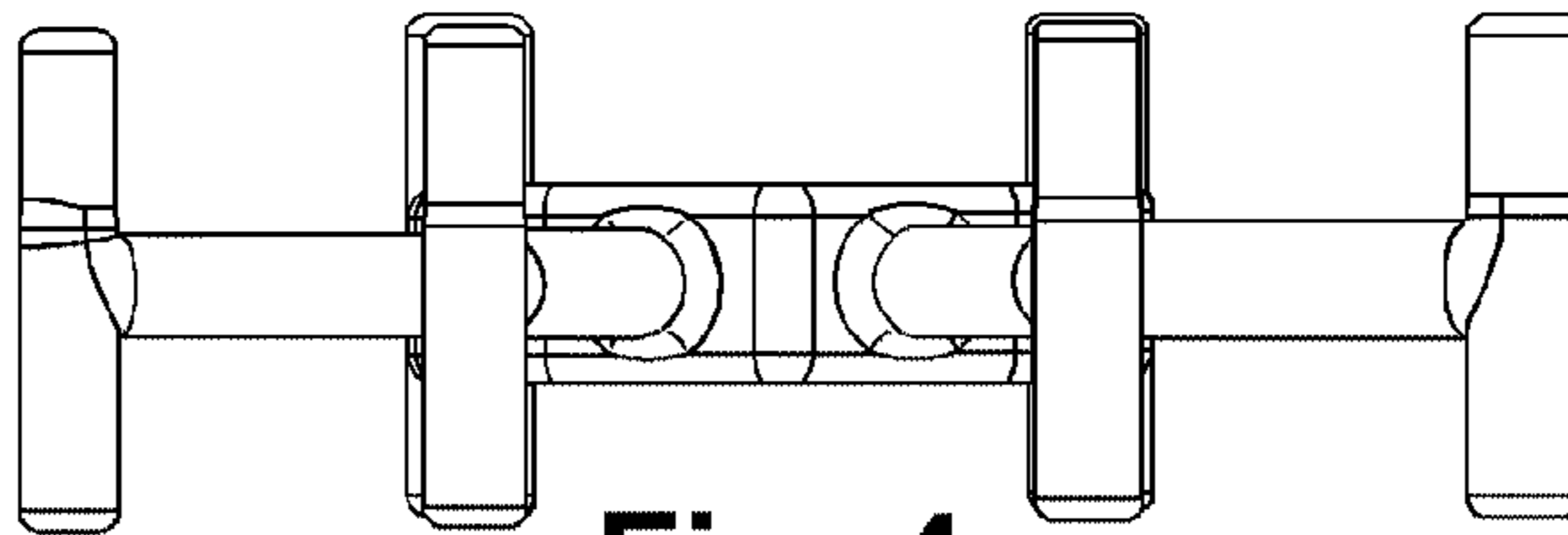
**Fig. 1**



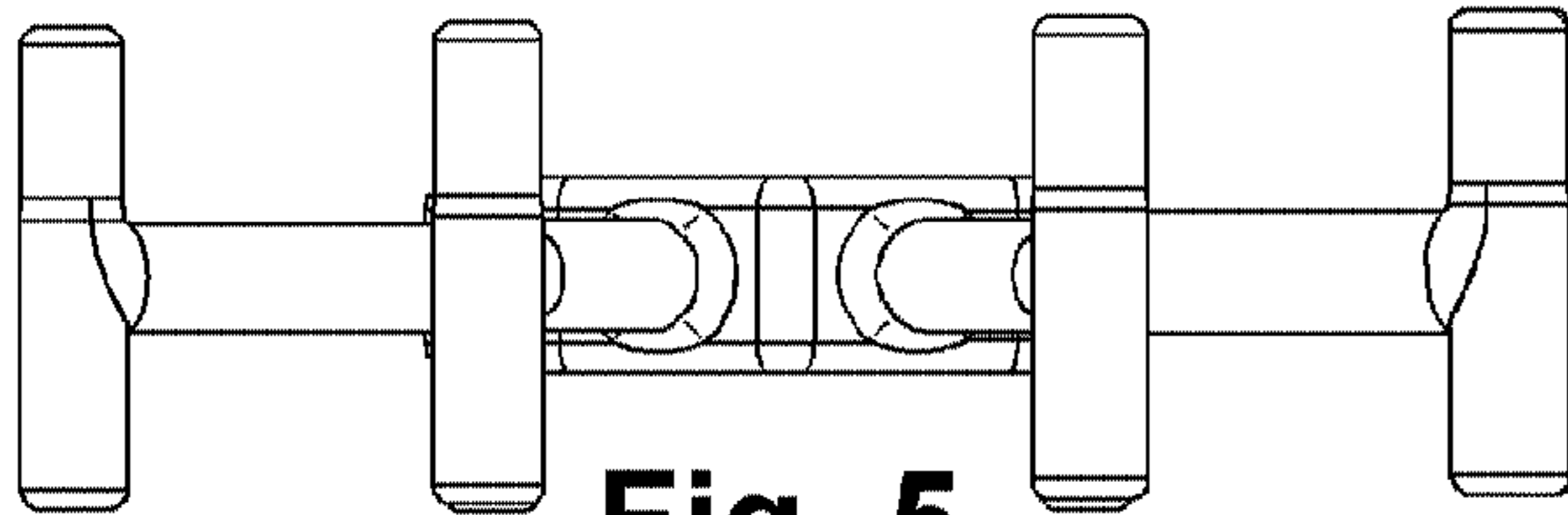
**Fig. 2**



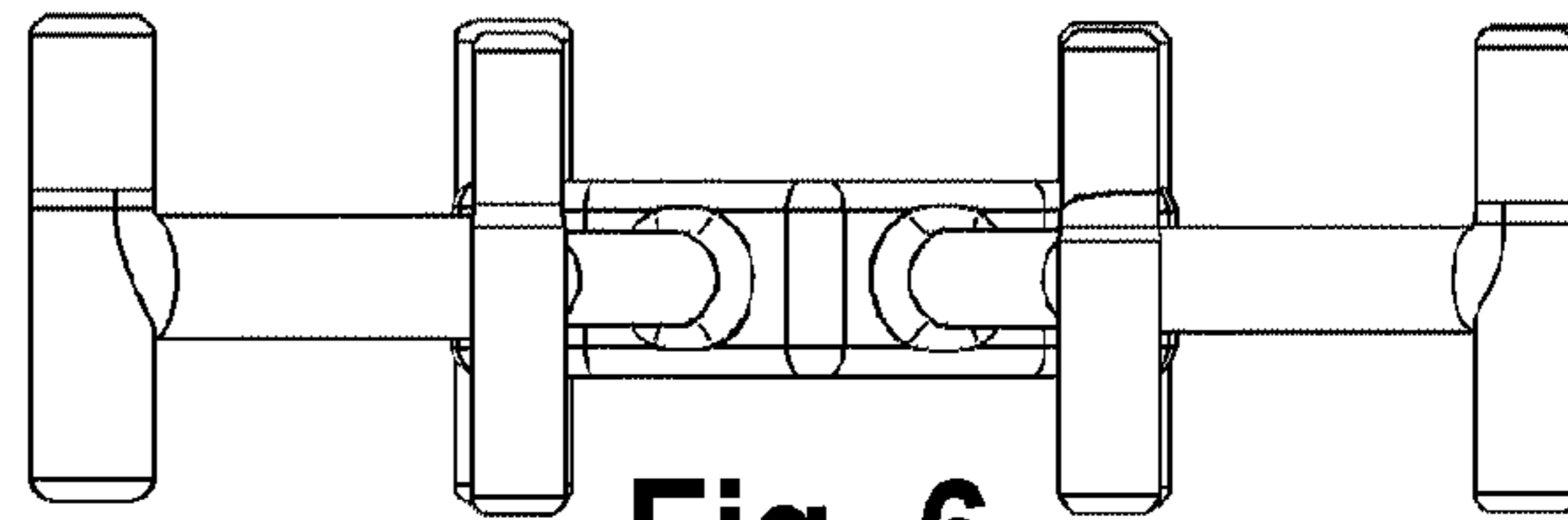
**Fig. 3**



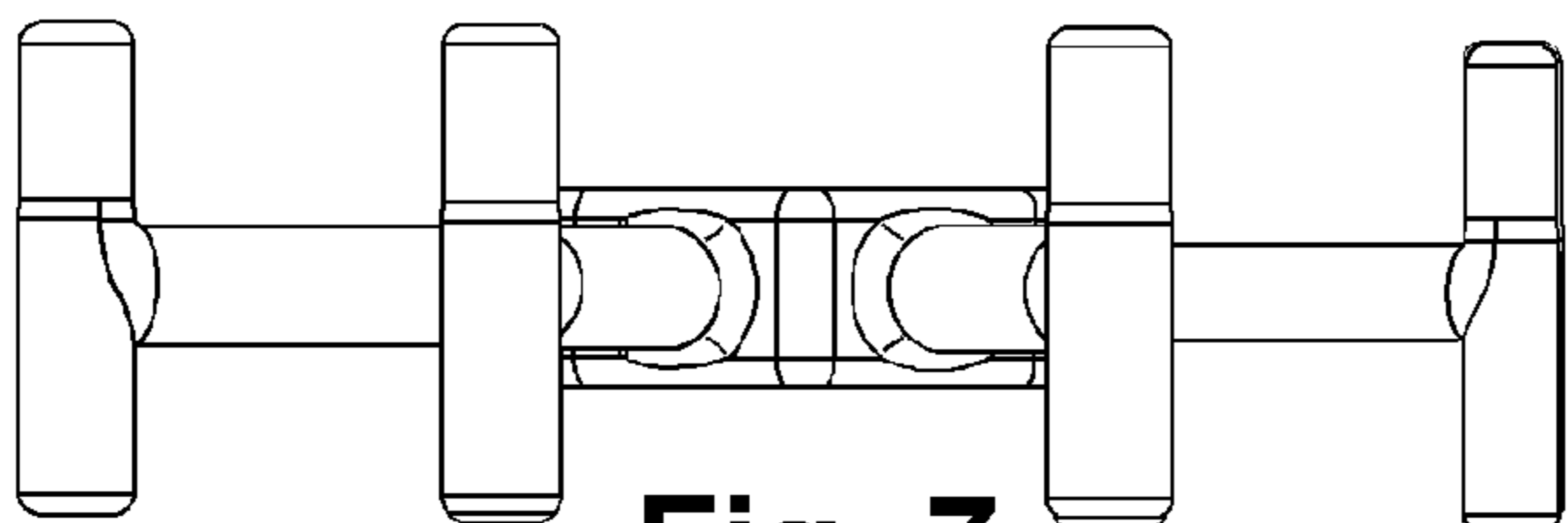
**Fig. 4**



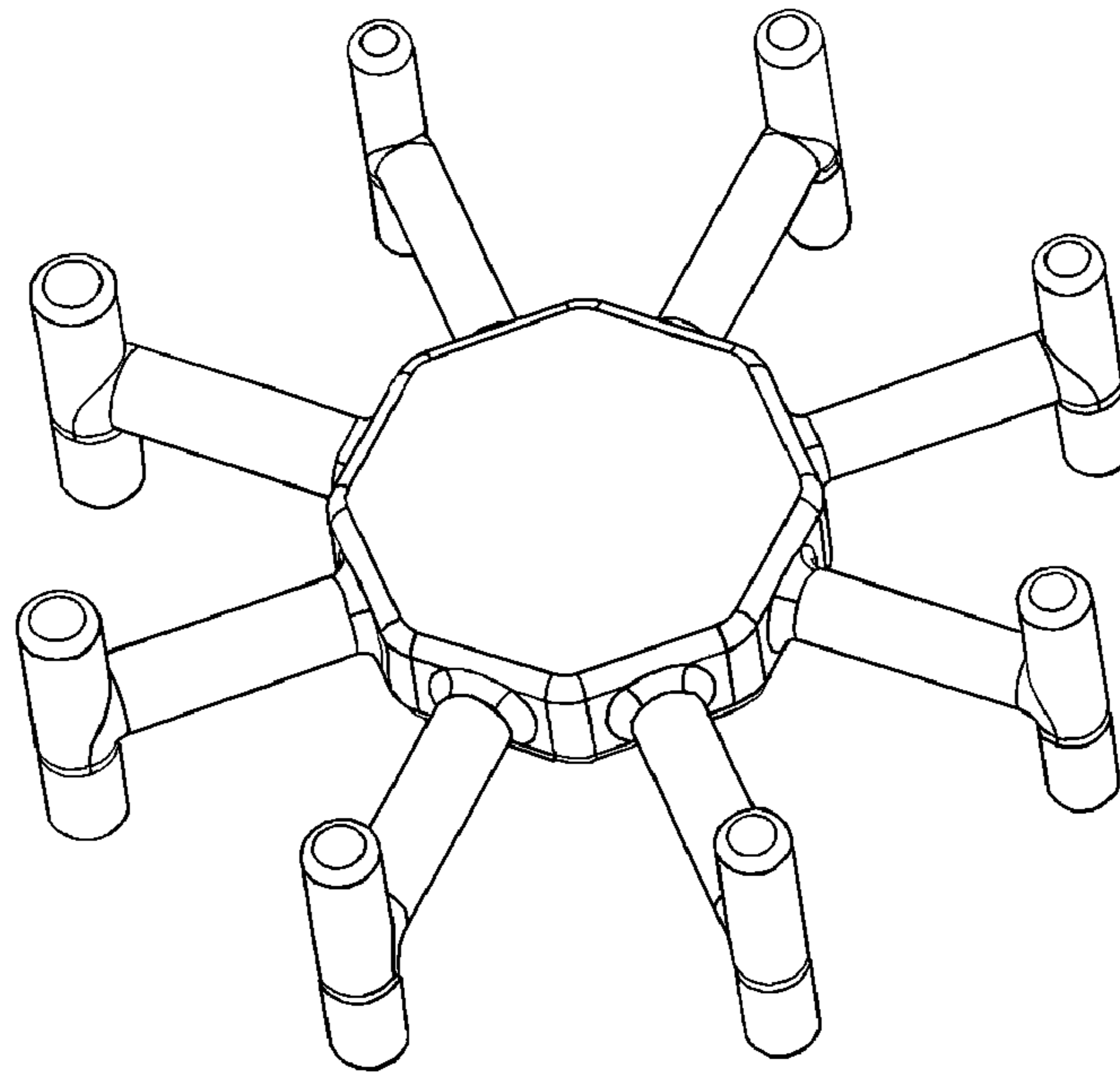
**Fig. 5**



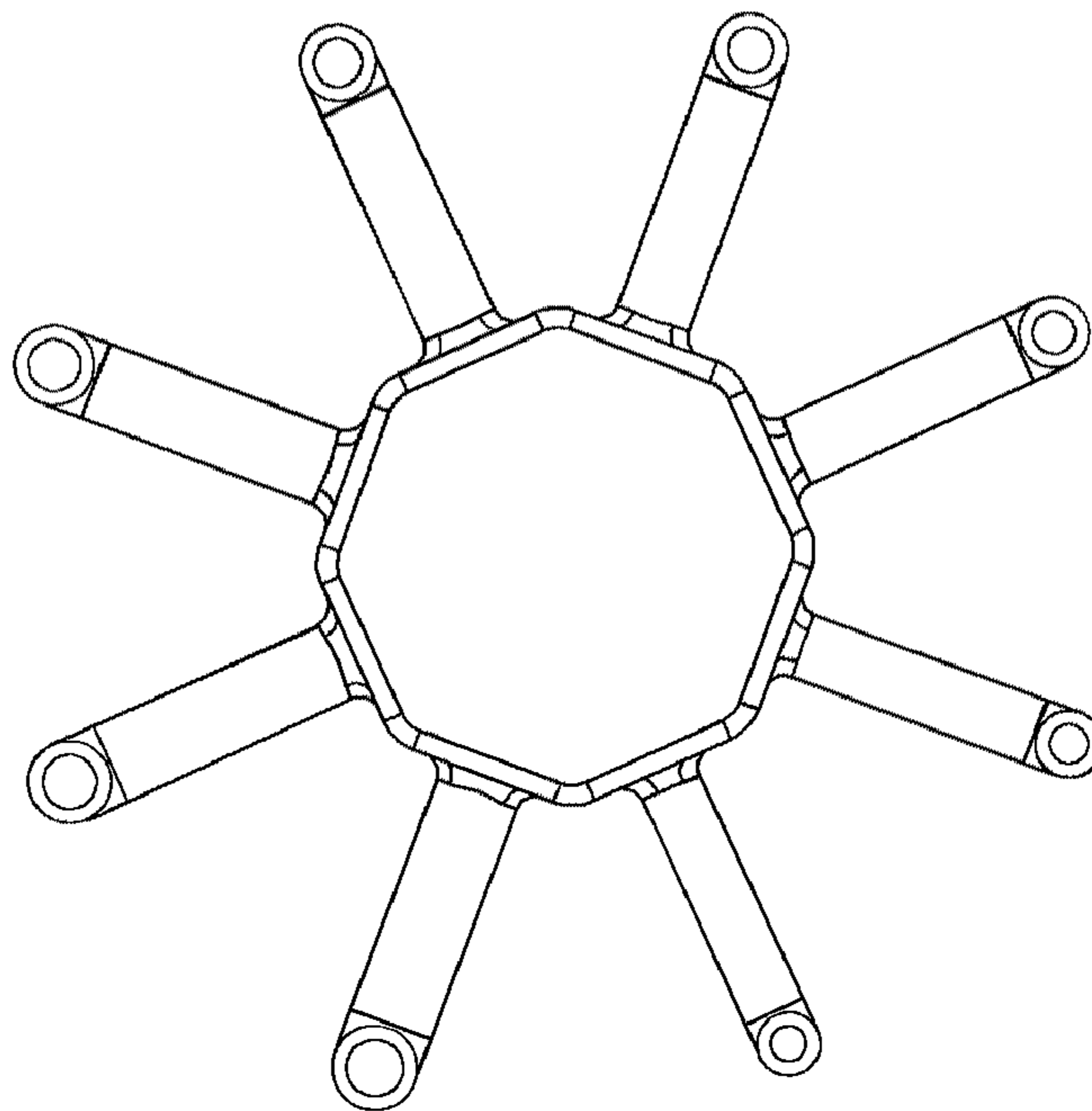
**Fig. 6**



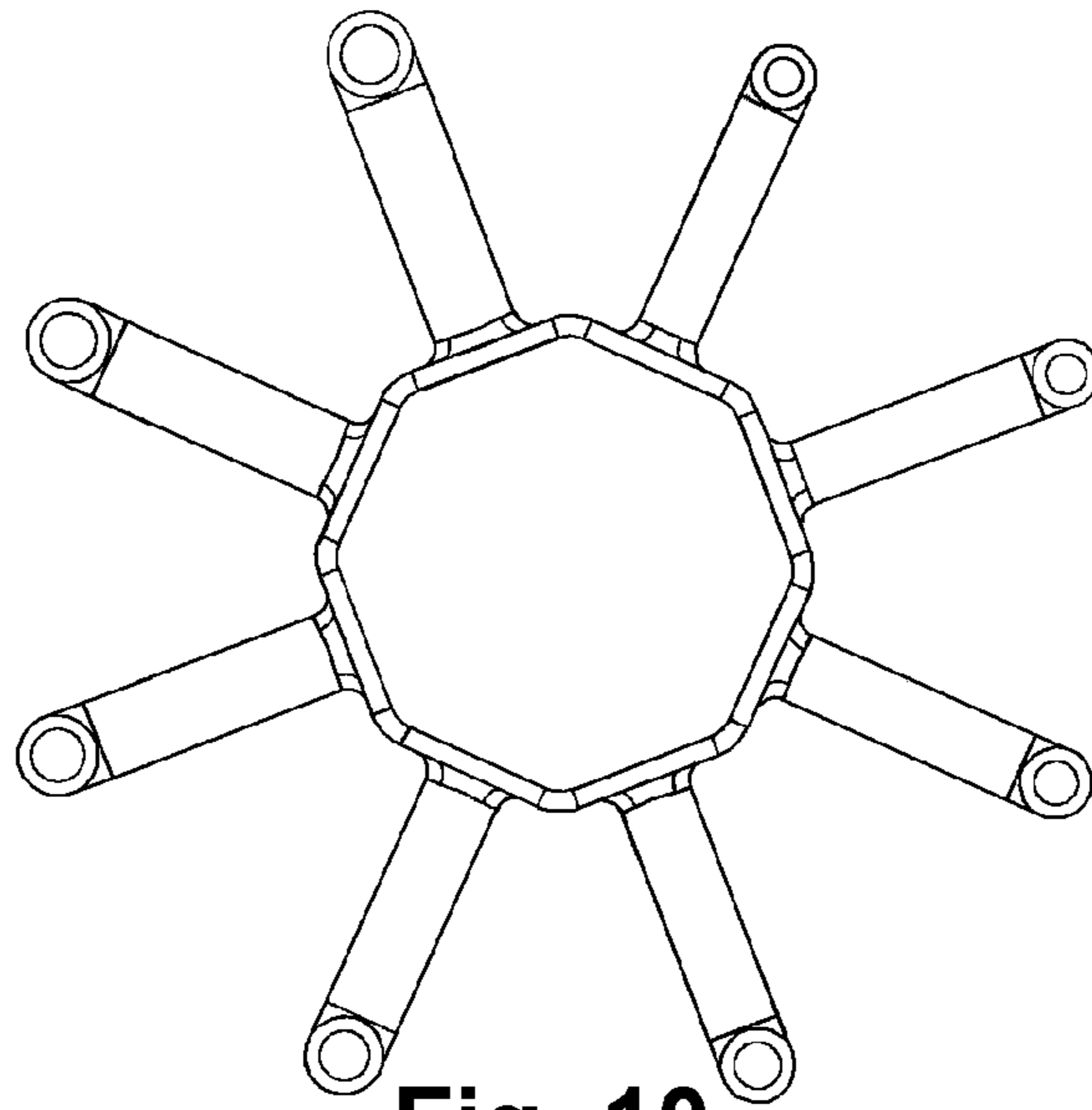
**Fig. 7**



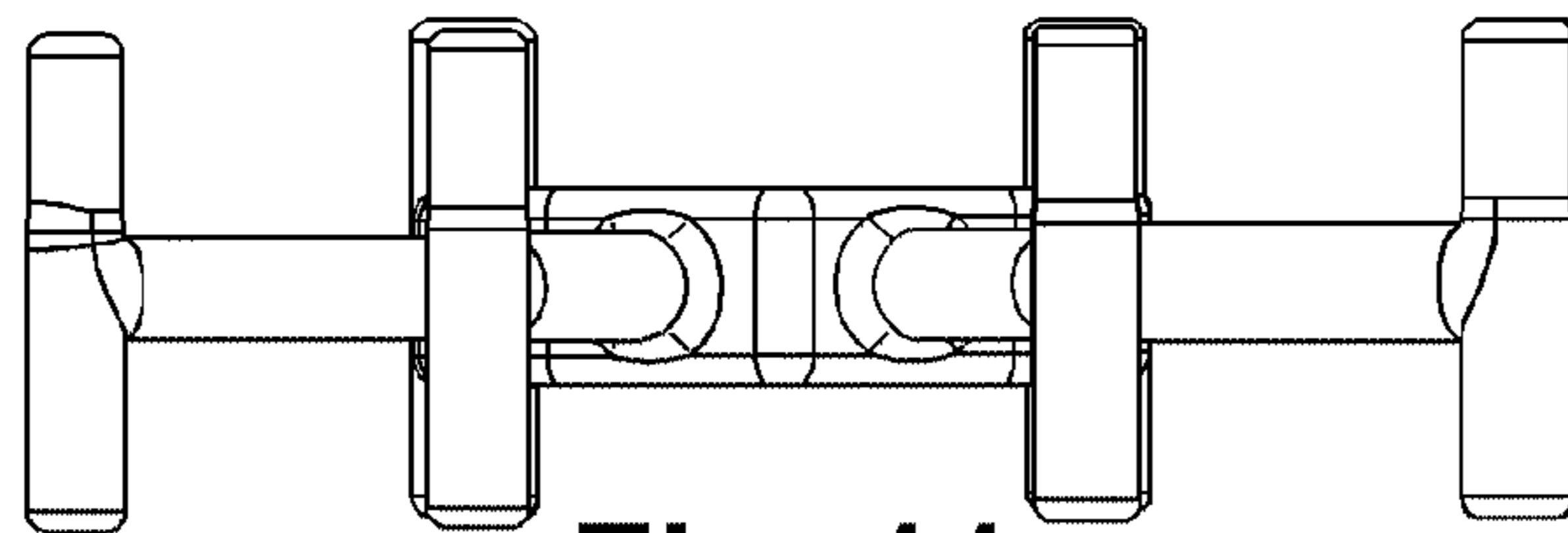
**Fig. 8**



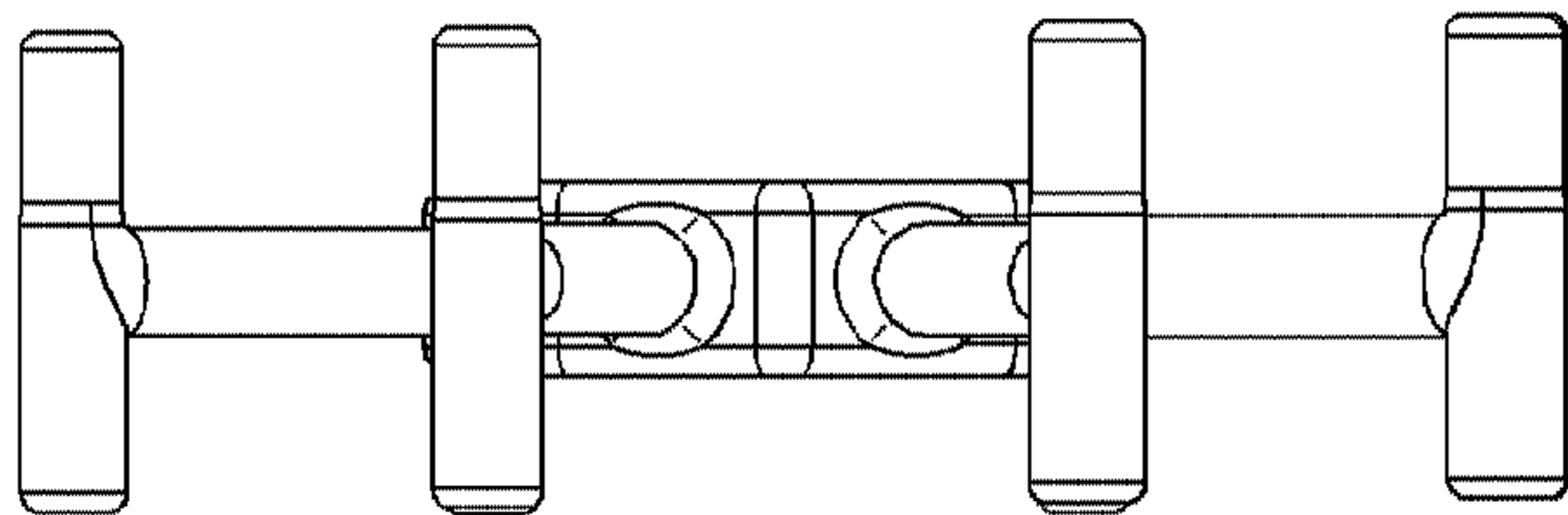
**Fig. 9**



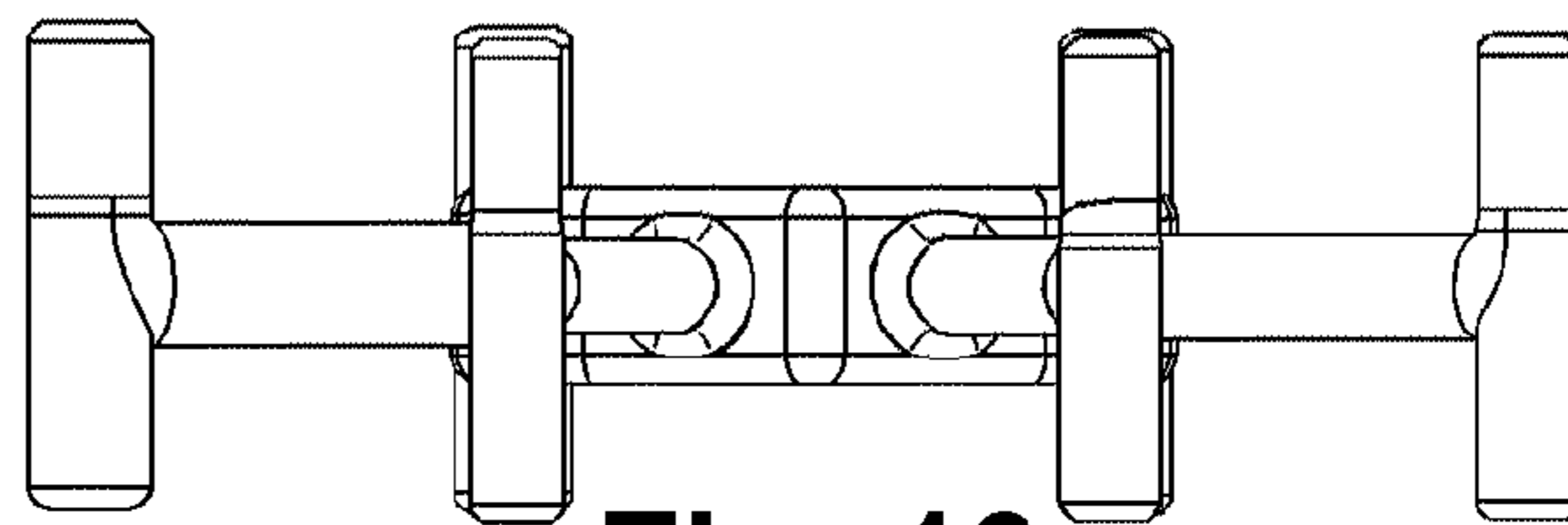
**Fig. 10**



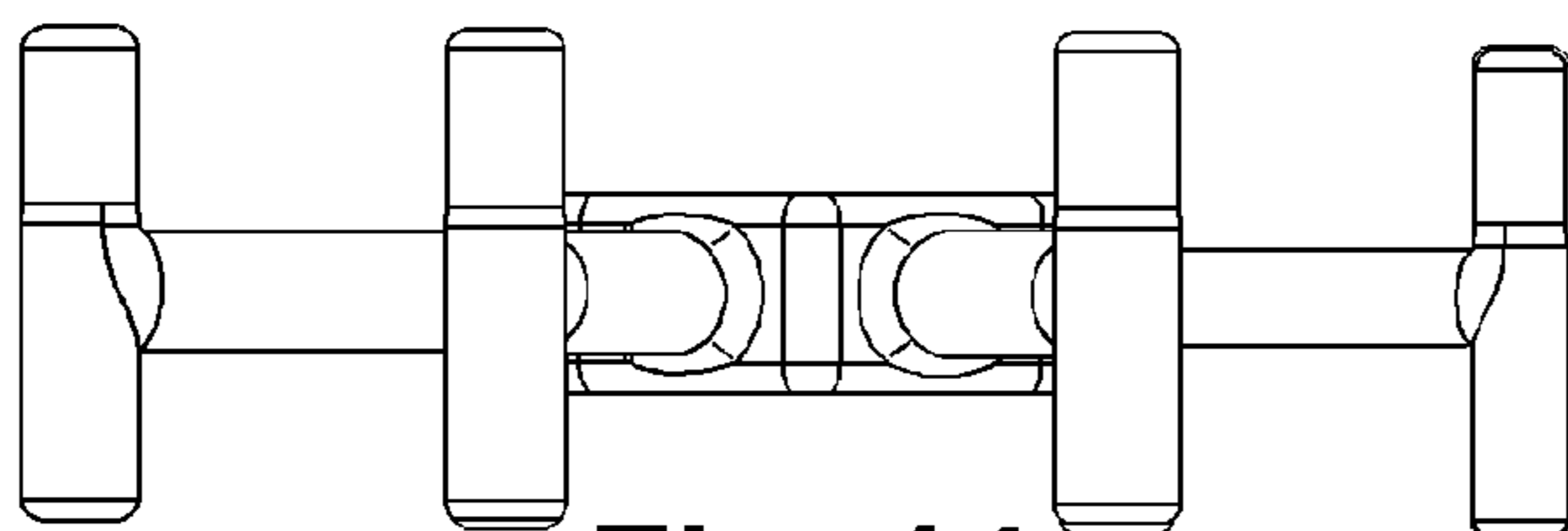
**Fig. 11**



**Fig. 12**



**Fig. 13**



**Fig. 14**