



US00D652143S

(12) **United States Design Patent**
Brown

(10) **Patent No.:** **US D652,143 S**
(45) **Date of Patent:** **** Jan. 10, 2012**

(54) **MULTI-LAYER INTERNAL NASAL DILATOR WITH TUBULAR EXPANDERS AND COMPOUND DELIVERY PROTRUSIONS**

(76) Inventor: **Thomas Brown, Kansas City, MO (US)**

(**) Term: **14 Years**

(21) Appl. No.: **29/383,740**

(22) Filed: **Jan. 21, 2011**

Related U.S. Application Data

(63) Continuation-in-part of application No. 11/438,267, filed on May 22, 2006, now Pat. No. 8,048,102.

(51) **LOC (9) Cl.** **24-02**

(52) **U.S. Cl.** **D24/135**

(58) **Field of Classification Search** D24/133, D24/135; 606/191-199

See application file for complete search history.

(56) **References Cited**

U.S. PATENT DOCUMENTS

1,014,758	A *	1/1912	Knowlson	606/199
1,709,740	A *	4/1929	Rogers	606/199
4,414,977	A *	11/1983	Rezakhany	606/199
D325,439	S *	4/1992	Apple et al.	D24/135
5,727,543	A *	3/1998	Corsaro	128/200.24

D422,080	S *	3/2000	Vincent	D24/135
D438,967	S *	3/2001	Alpers	D24/135
D539,907	S *	4/2007	Harrison	D24/143
D561,335	S *	2/2008	Pinter	D24/135
D572,361	S *	7/2008	Noce	D24/135
D575,397	S *	8/2008	Noce	D24/135
D579,111	S *	10/2008	Pinter	D24/135
D579,112	S *	10/2008	Pinter	D24/135
7,461,651	B2 *	12/2008	Brown	128/200.24
2002/0151925	A1 *	10/2002	Martino	606/199
2010/0030252	A1 *	2/2010	Stewart	606/199
2011/0118775	A1 *	5/2011	Brown	606/199

* cited by examiner

Primary Examiner — Bridget L Eland

(74) *Attorney, Agent, or Firm* — Jacob & Associates, LLC

(57) **CLAIM**

The ornamental design for a multi-layer internal nasal dilator with tubular expanders and compound delivery protrusions, as shown and described.

DESCRIPTION

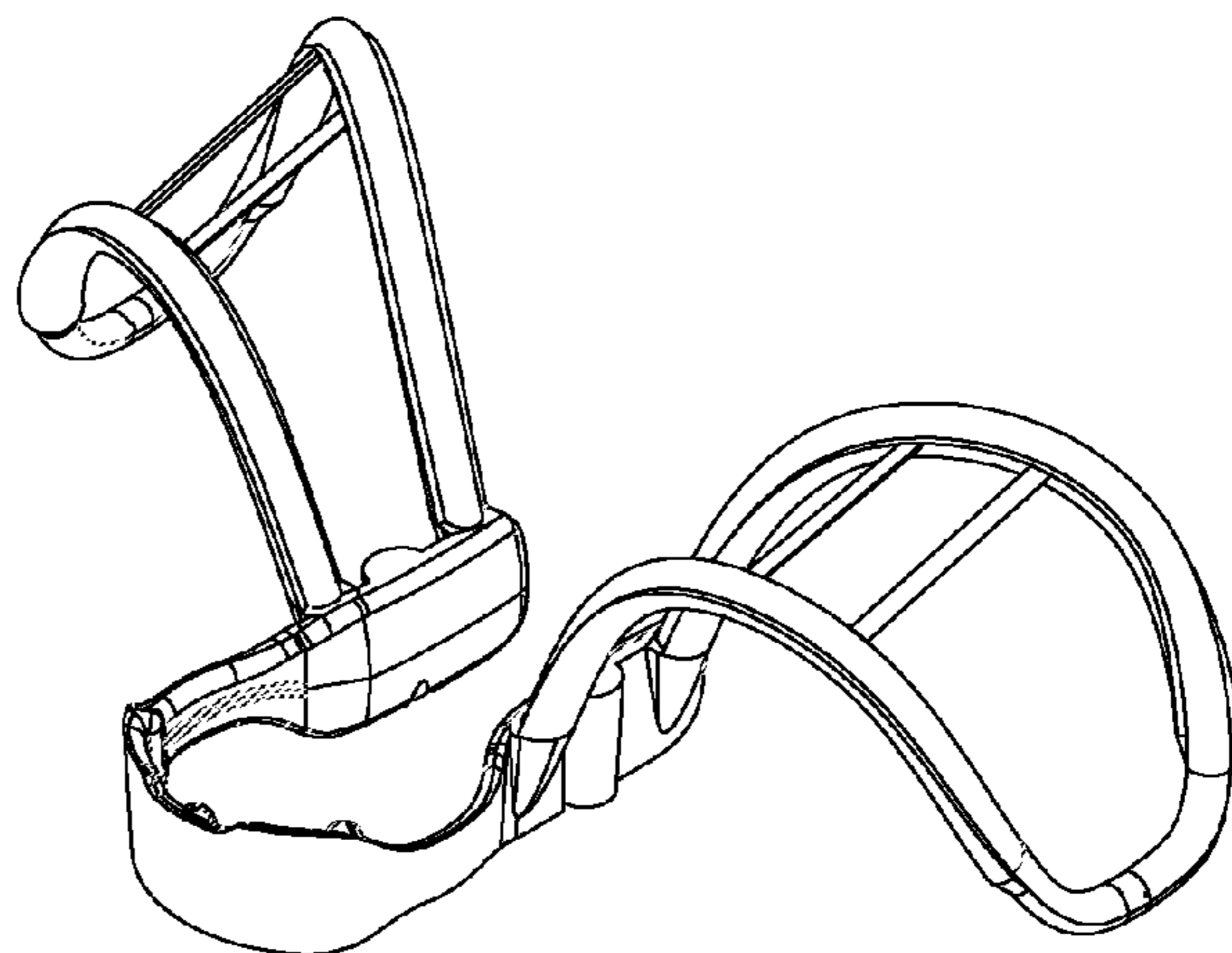
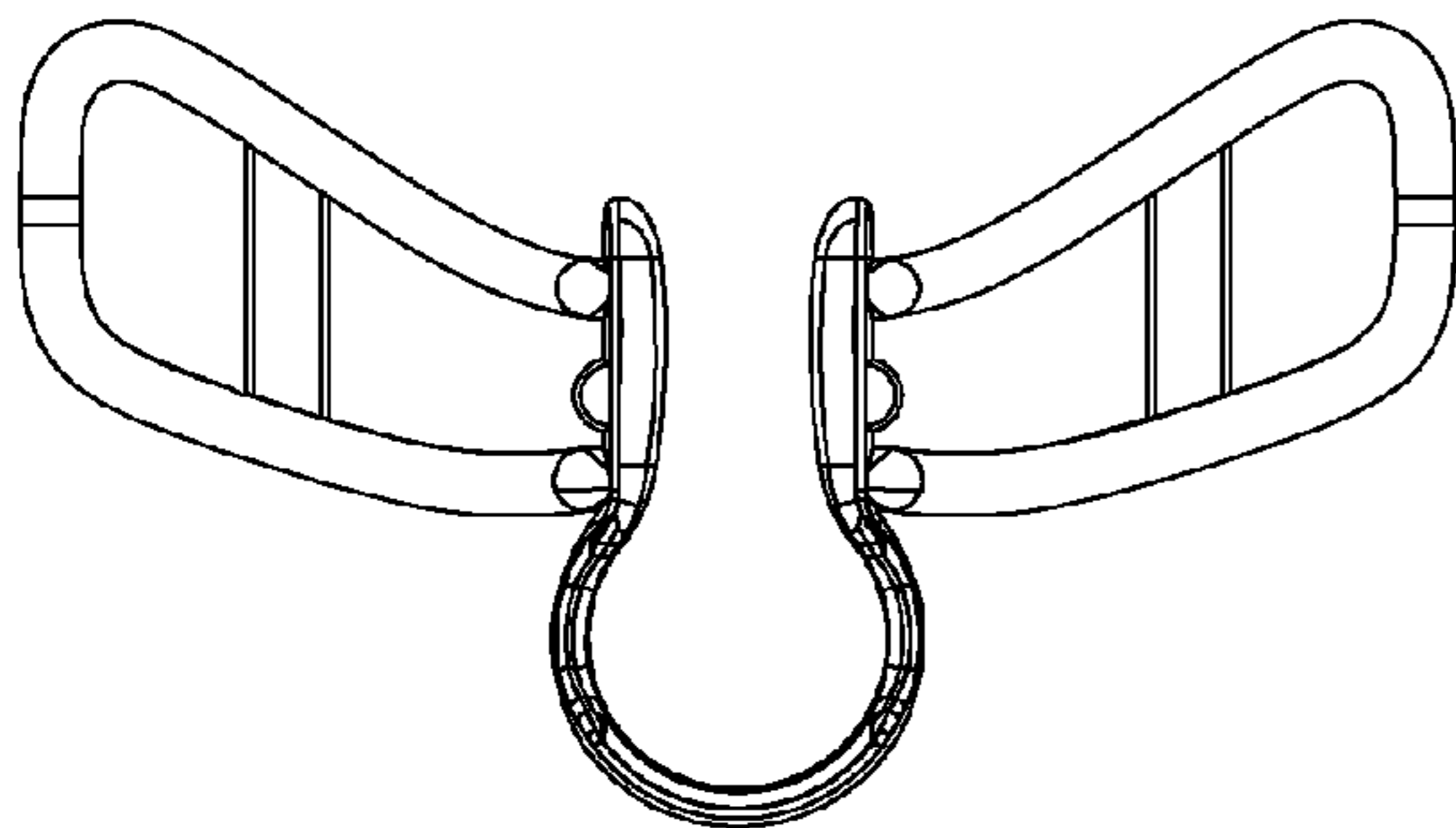
FIG. 1 is a bottom view of a multi-layer internal nasal dilator with tubular expanders and compound deliver protrusions showing my new design;

FIG. 2 is a side elevation view thereof;

FIG. 3 is a front elevation view thereof; and,

FIG. 4 is an isometric view thereof.

1 Claim, 1 Drawing Sheet



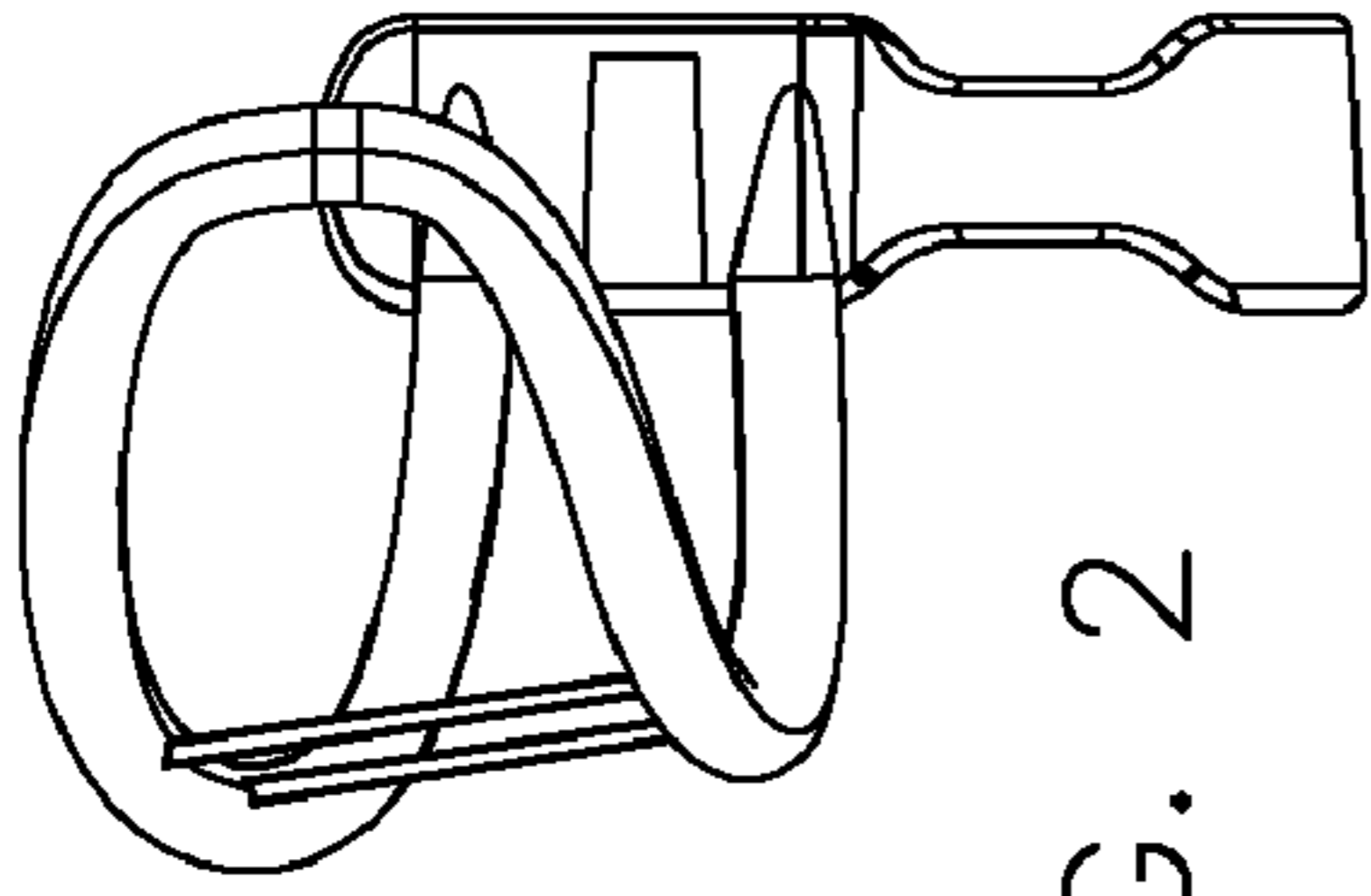


FIG. 2

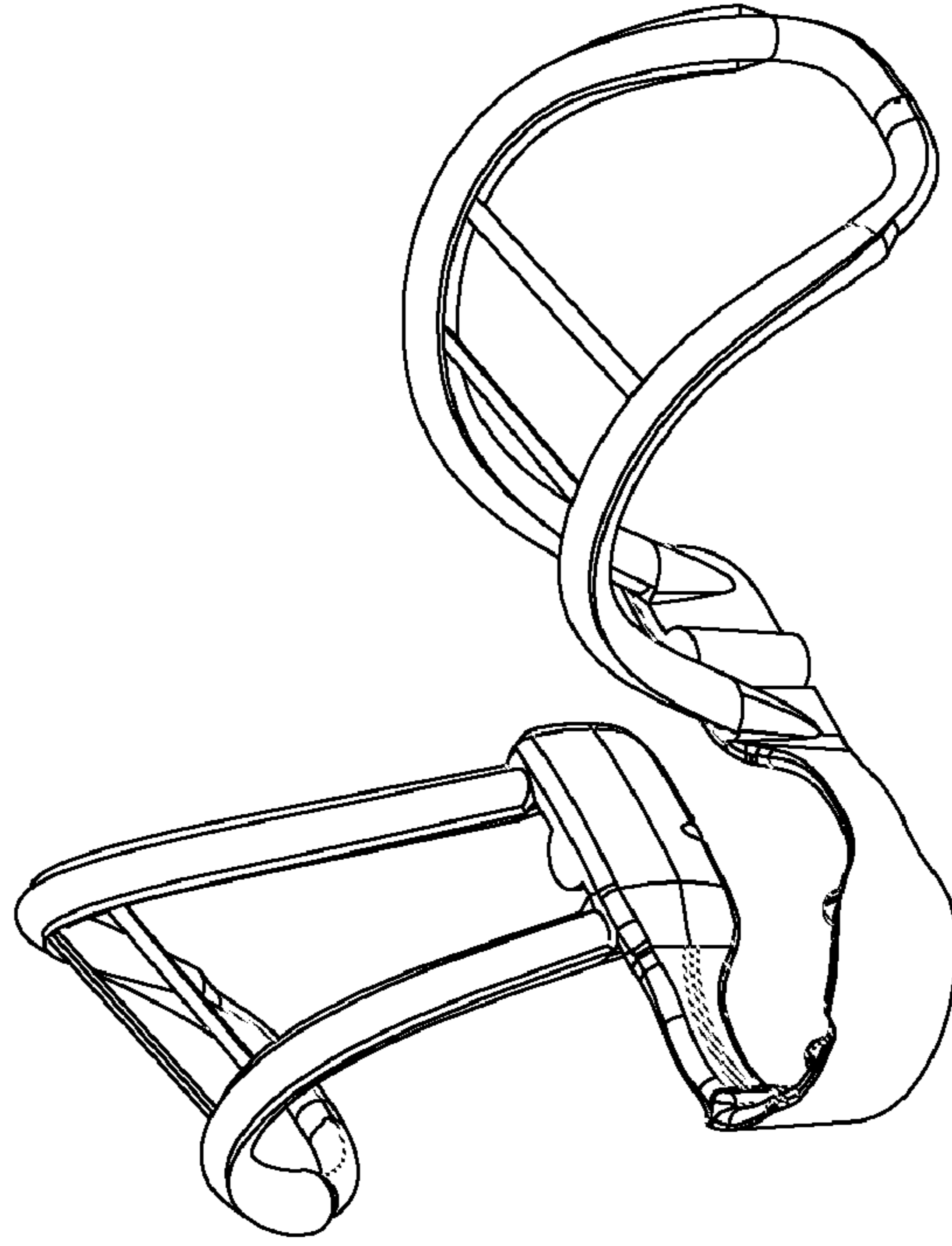


FIG. 4

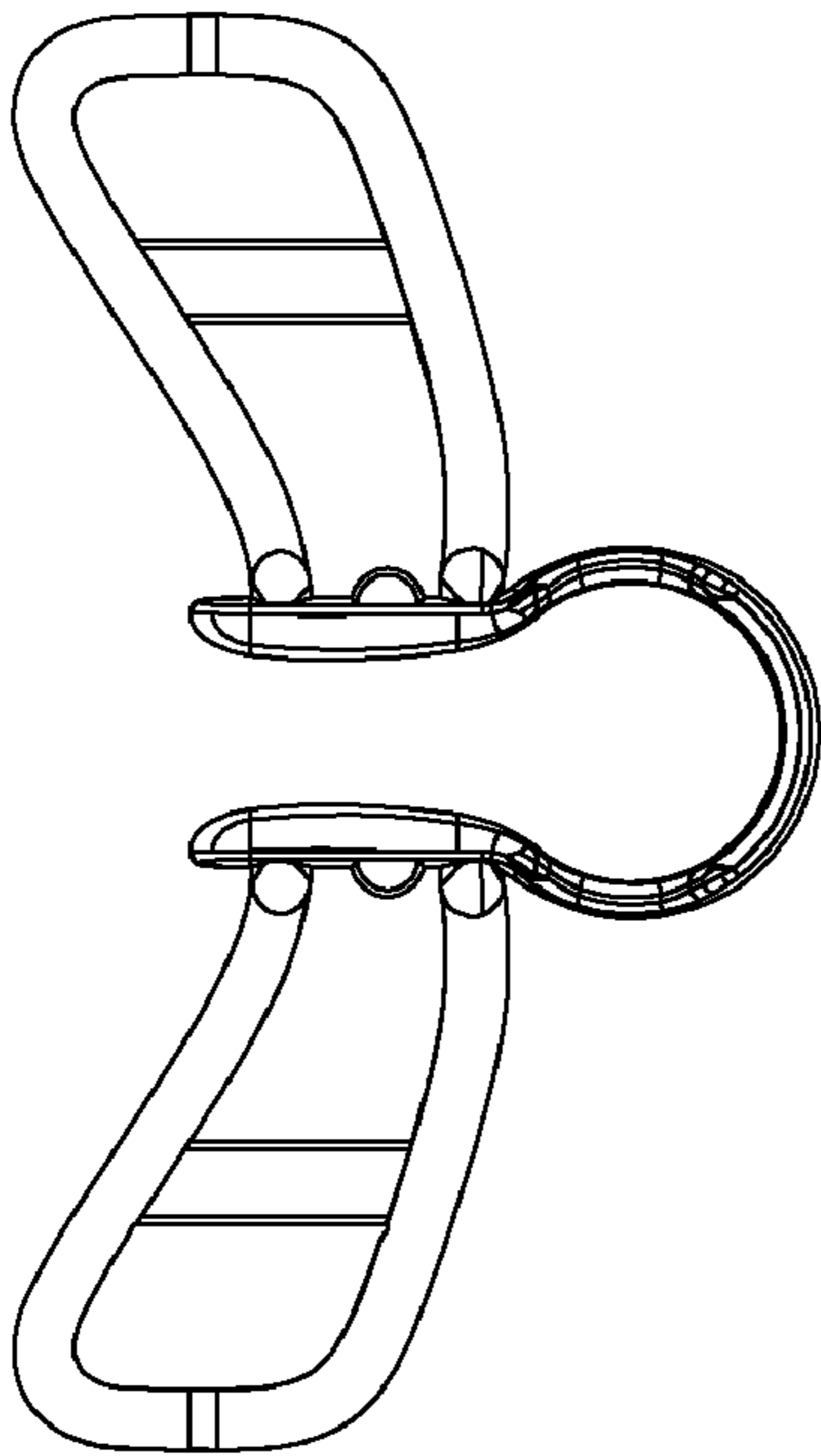


FIG. 1

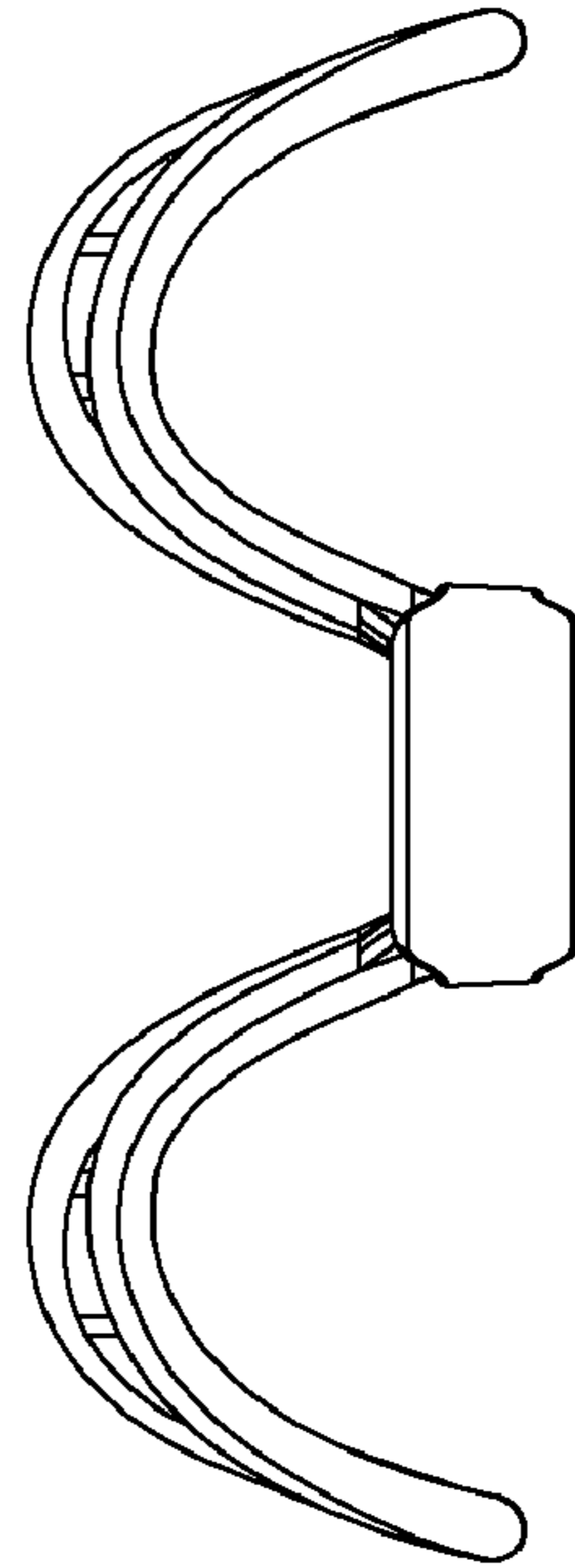


FIG. 3