



US00D652140S

(12) **United States Design Patent**
Wagner

(10) **Patent No.:** **US D652,140 S**

(45) **Date of Patent:** **** Jan. 10, 2012**

(54) **INSTRUMENT FOR LAPAROSCOPIC PROCEDURE**

(75) Inventor: **Sebastian Wagner**, Bretten (DE)

(73) Assignee: **Karl Storz GmbH & Co. KG**,
Tuttlingen (DE)

(**) Term: **14 Years**

(21) Appl. No.: **29/394,538**

(22) Filed: **Jun. 17, 2011**

Related U.S. Application Data

(62) Division of application No. 29/379,036, filed on Nov. 12, 2010, now Pat. No. Des. 642,262.

(30) **Foreign Application Priority Data**

May 11, 2010 (EM) 001706623-0006

May 11, 2010 (EM) 001706623-0007

May 11, 2010 (EM) 001706623-0008

(51) **LOC (9) Cl.** **24-02**

(52) **U.S. Cl.** **D24/133**

(58) **Field of Classification Search** D24/133,
D24/143, 146; 606/1, 130, 170, 205

See application file for complete search history.

(56) **References Cited**

U.S. PATENT DOCUMENTS

D642,262 S * 7/2011 Wagner D24/133

* cited by examiner

Primary Examiner — Bridget L Eland

(74) *Attorney, Agent, or Firm* — Muncy, Geissler, Olds & Lowe, PLLC

(57) **CLAIM**

The ornamental design for an instrument for laparoscopic procedure, as shown and described.

DESCRIPTION

FIG. 1 is a left side perspective view of an instrument for laparoscopic procedure according to the present invention;

FIG. 2 is a right side perspective view of the instrument for laparoscopic procedure of FIG. 1;

FIG. 3 is a top perspective view of the instrument for laparoscopic procedure of FIG. 1;

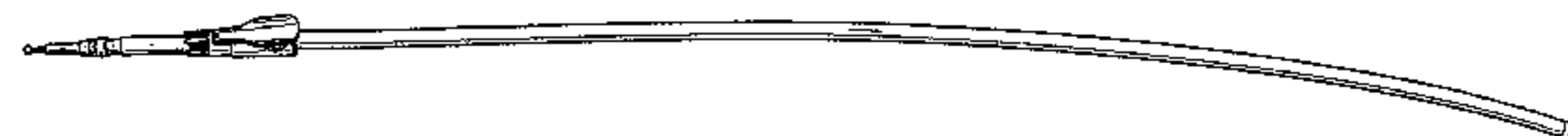
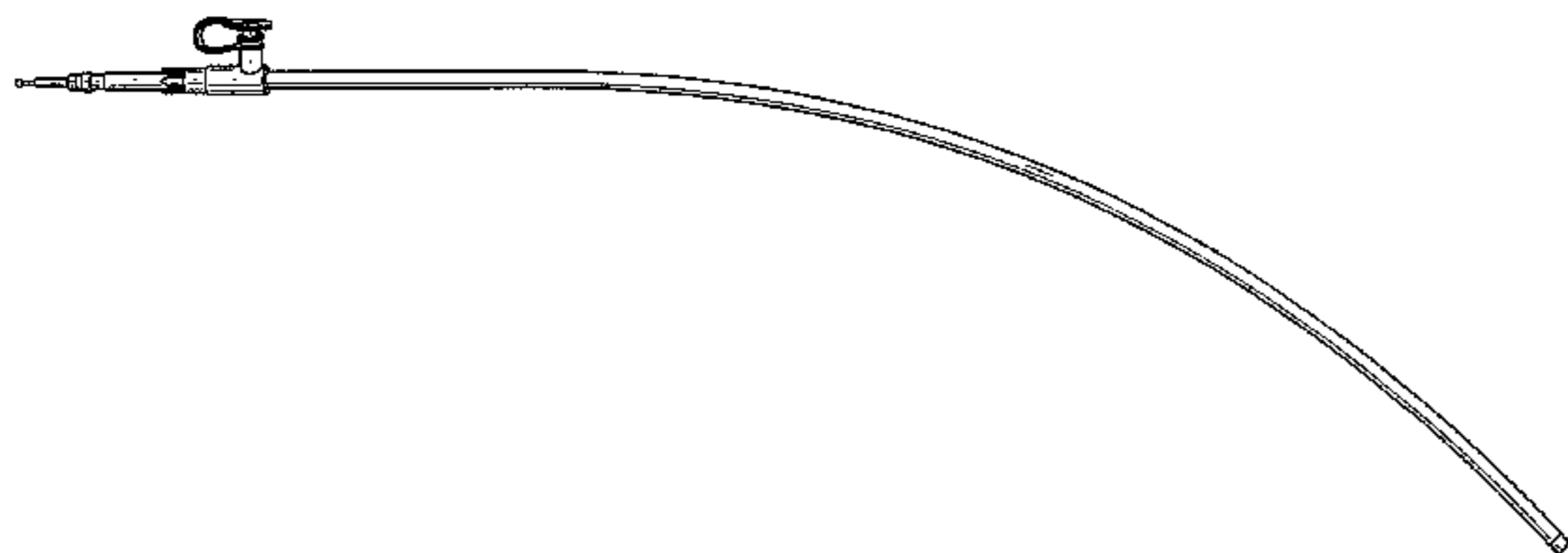
FIG. 4 is a bottom perspective view of the instrument for laparoscopic procedure of FIG. 1;

FIG. 5 is a front perspective view of the instrument for laparoscopic procedure of FIG. 1;

FIG. 6 is a rear perspective view of the instrument for laparoscopic procedure of FIG. 1; and,

FIG. 7 is a three quarter perspective view of the instrument for laparoscopic procedure of FIG. 1.

1 Claim, 7 Drawing Sheets



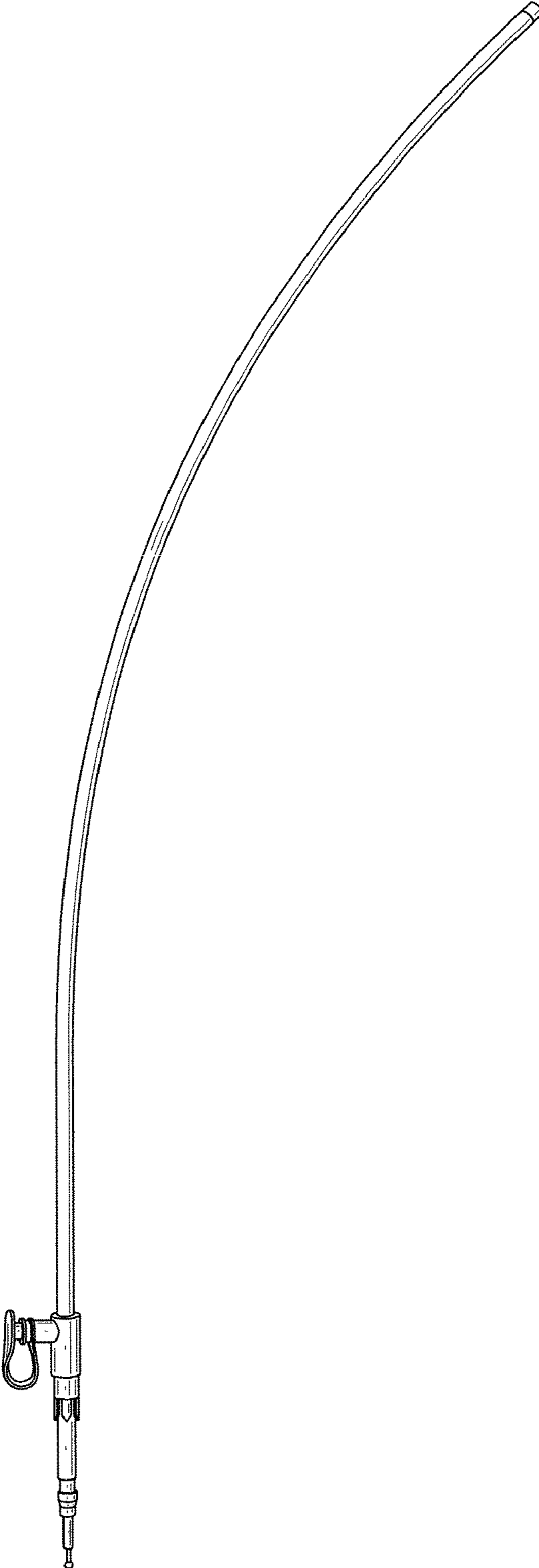


FIG. 1

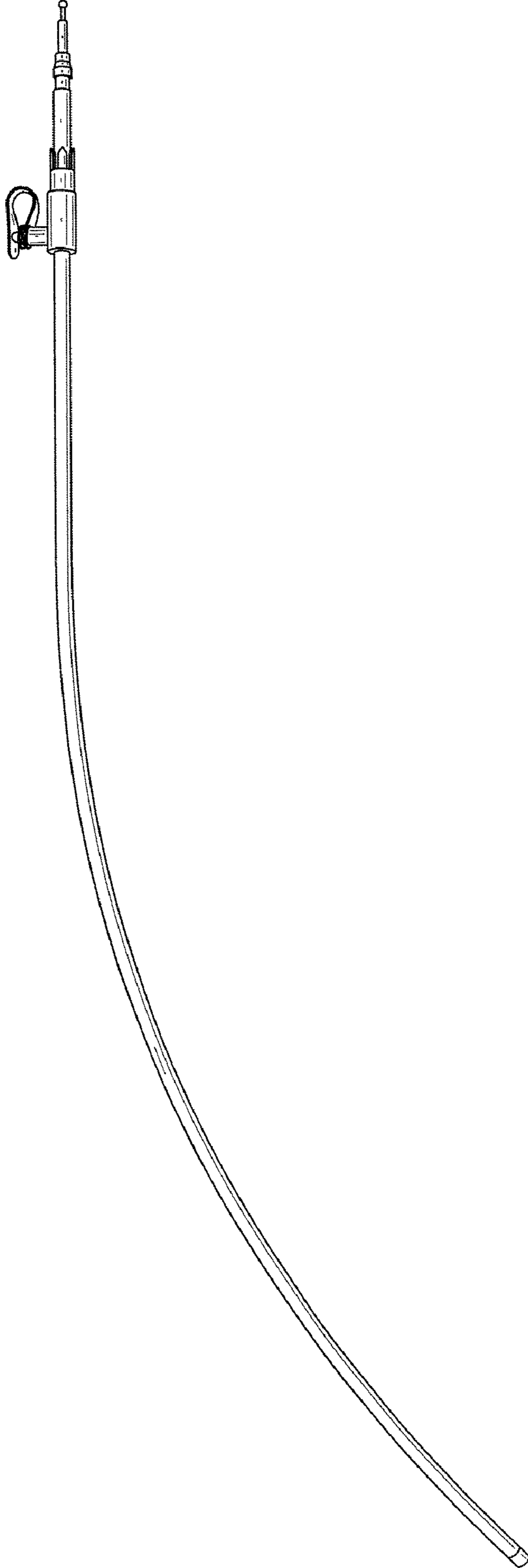


FIG. 2

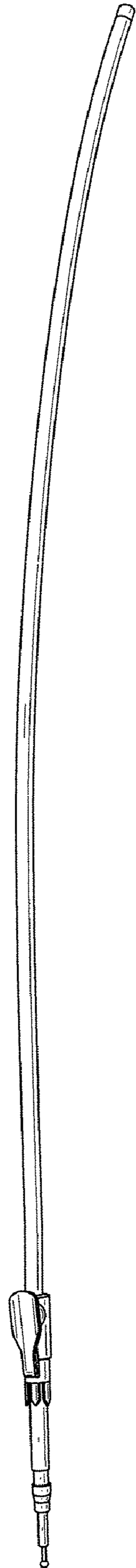


FIG. 3

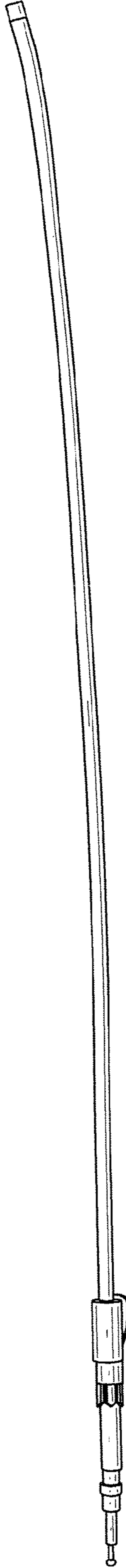


FIG. 4

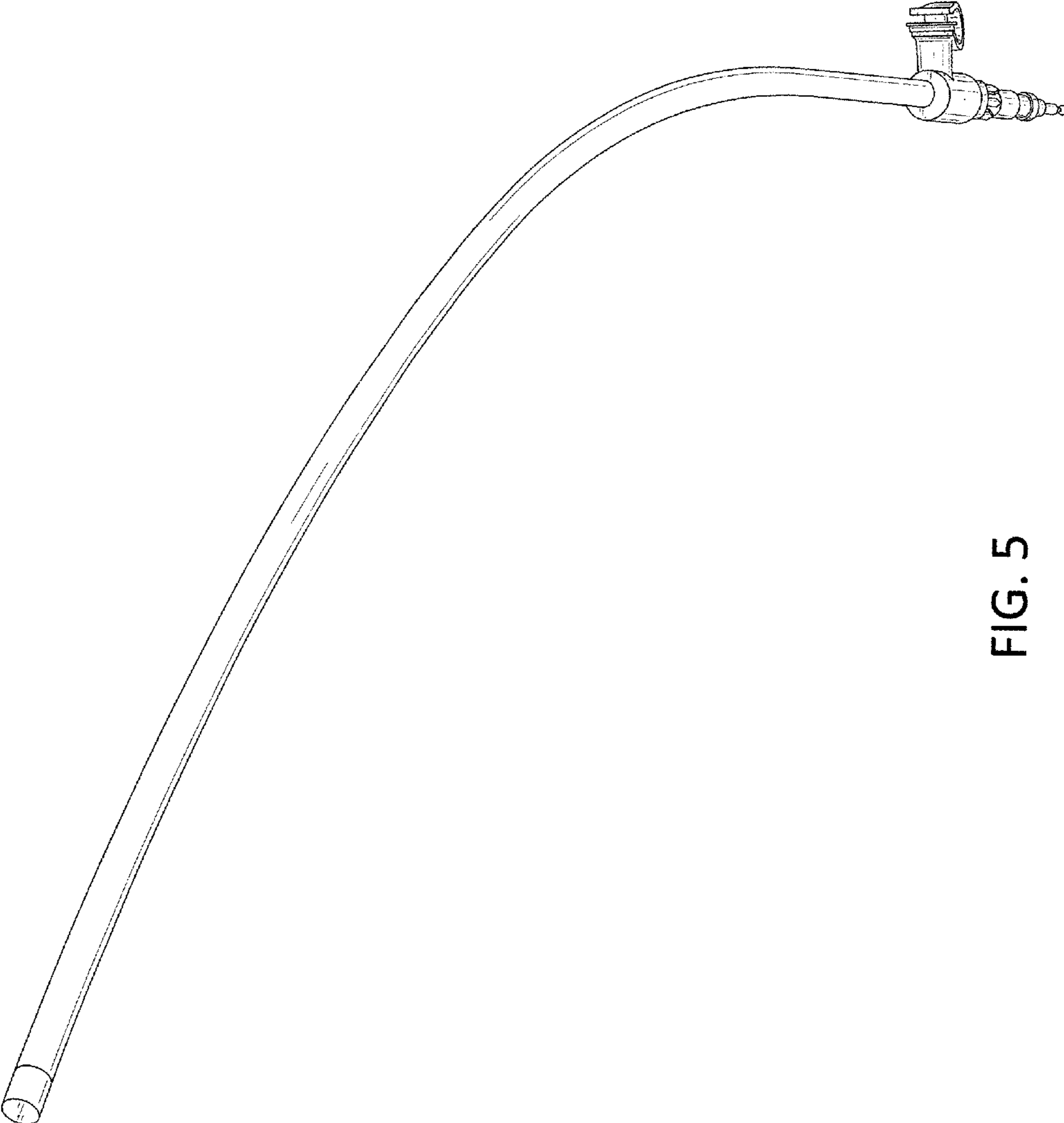


FIG. 5

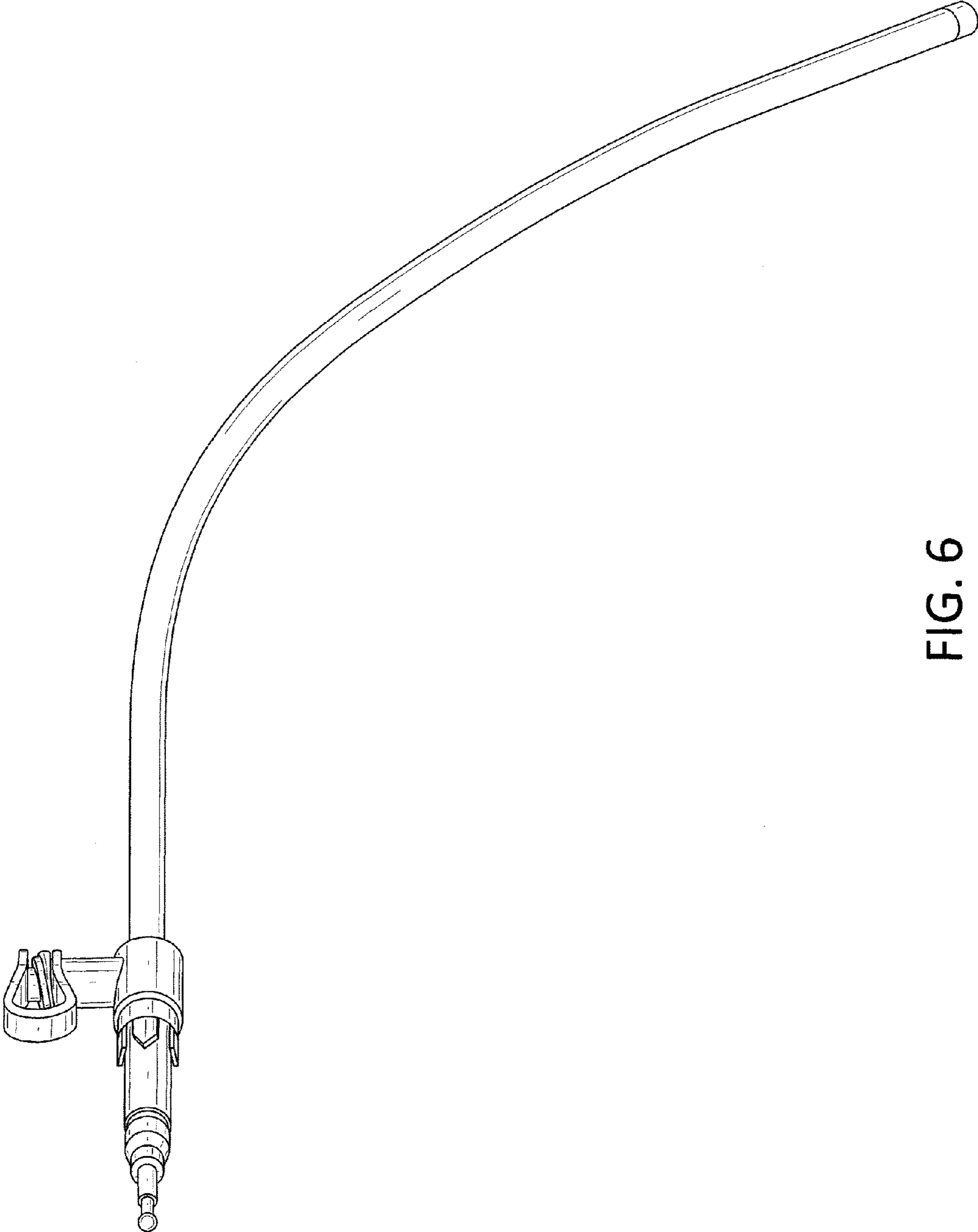


FIG. 6

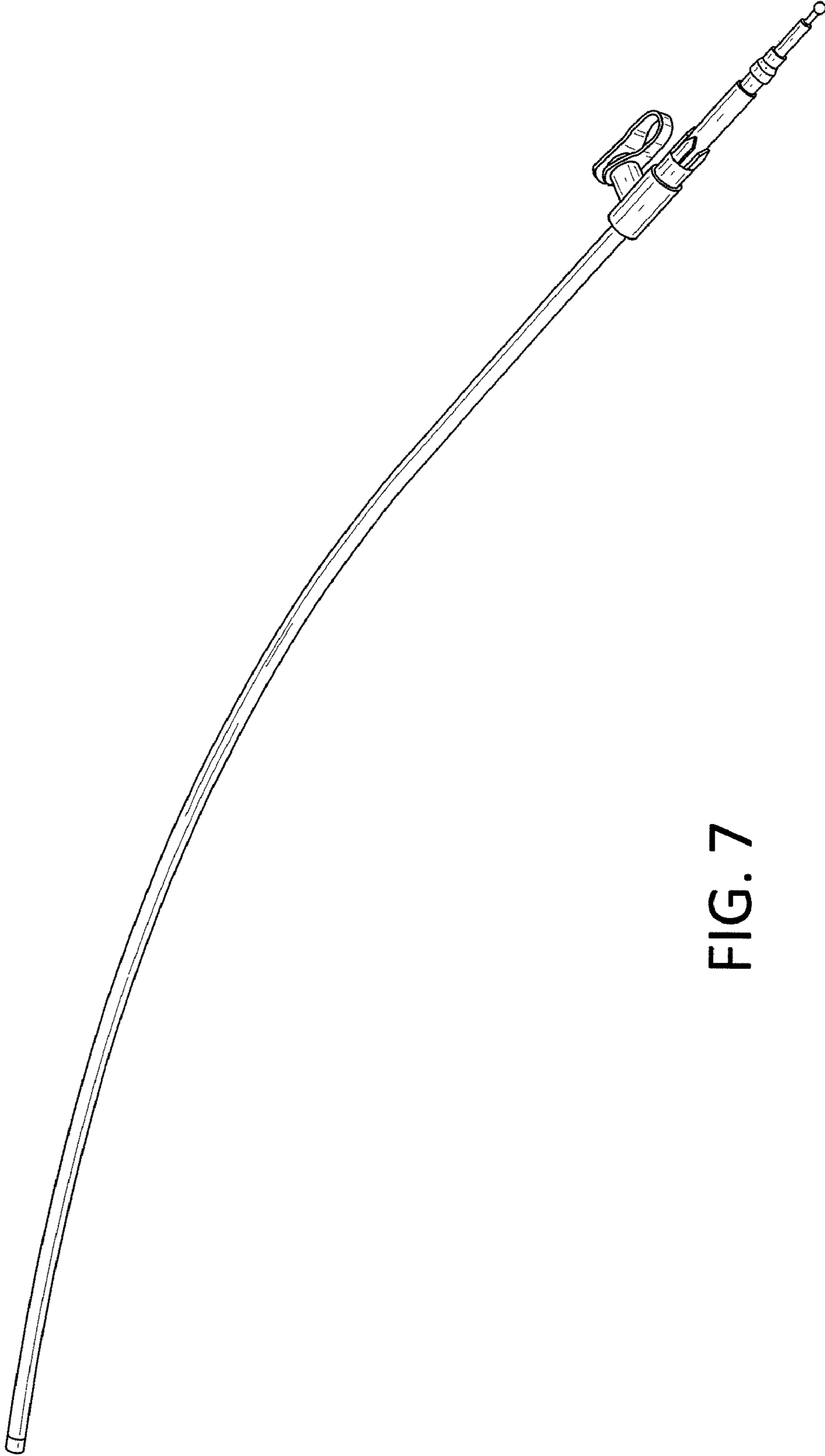


FIG. 7