



US00D652135S

(12) **United States Design Patent**
Howard

(10) **Patent No.:** **US D652,135 S**
(45) **Date of Patent:** **** Jan. 10, 2012**

(54) **FRAME FOR A RESPIRATORY MASK**

(75) Inventor: **Scott Alexander Howard**, Harbord (AU)

(73) Assignee: **ResMed Limited**, Bella Vista, New South Wales (AU)

(**) Term: **14 Years**

(21) Appl. No.: **29/311,455**

(22) Filed: **Mar. 20, 2009**

Related U.S. Application Data

(63) Continuation of application No. 29/304,079, filed on Feb. 25, 2008, now Pat. No. Des. 591,420.

(30) **Foreign Application Priority Data**

Feb. 18, 2008 (AU) 10718/2008

(51) **LOC (9) Cl.** **29-02**

(52) **U.S. Cl.** **D24/110.1; D24/110.4**

(58) **Field of Classification Search** D24/110.1, D24/110.4-110.5; 128/204.18, 205.25, 206.21, 128/206.24, 206.26, 206.27, 207.11, 207.13, 128/207.17

See application file for complete search history.

(56) **References Cited**

U.S. PATENT DOCUMENTS

D443,355 S	6/2001	Gunaratnam et al.
D468,421 S	1/2003	Smart
6,532,961 B1	3/2003	Kwok et al.
D486,907 S	2/2004	Guney et al.
D492,992 S	7/2004	Guney et al.
D493,885 S	8/2004	Raje et al.
D576,271 S	9/2008	Gunaratnam et al.

D594,112 S *	6/2009	Nga et al.	D24/110.1
D595,840 S *	7/2009	Davidson et al.	D24/110.1
D597,202 S *	7/2009	Reid et al.	D24/110.1
D597,661 S *	8/2009	Reid et al.	D24/110.1
D612,932 S *	3/2010	Davidson et al.	D24/110.1
D620,105 S *	7/2010	Nga et al.	D24/110.1
2008/0066757 A1	3/2008	Stallard et al.	
2008/0135050 A1 *	6/2008	Hitchcock et al.	128/207.11
2011/0162654 A1 *	7/2011	Carroll et al.	128/206.21

OTHER PUBLICATIONS

Selvarajan et al., U.S. Appl. No. 29/304,079, filed Feb. 25, 2008.
Maurer et al., U.S. Appl. No. 29/290,799, filed Jan. 15, 2008.

* cited by examiner

Primary Examiner — Wan Laymon

(74) *Attorney, Agent, or Firm* — Nixon & Vanderhye PC

(57) **CLAIM**

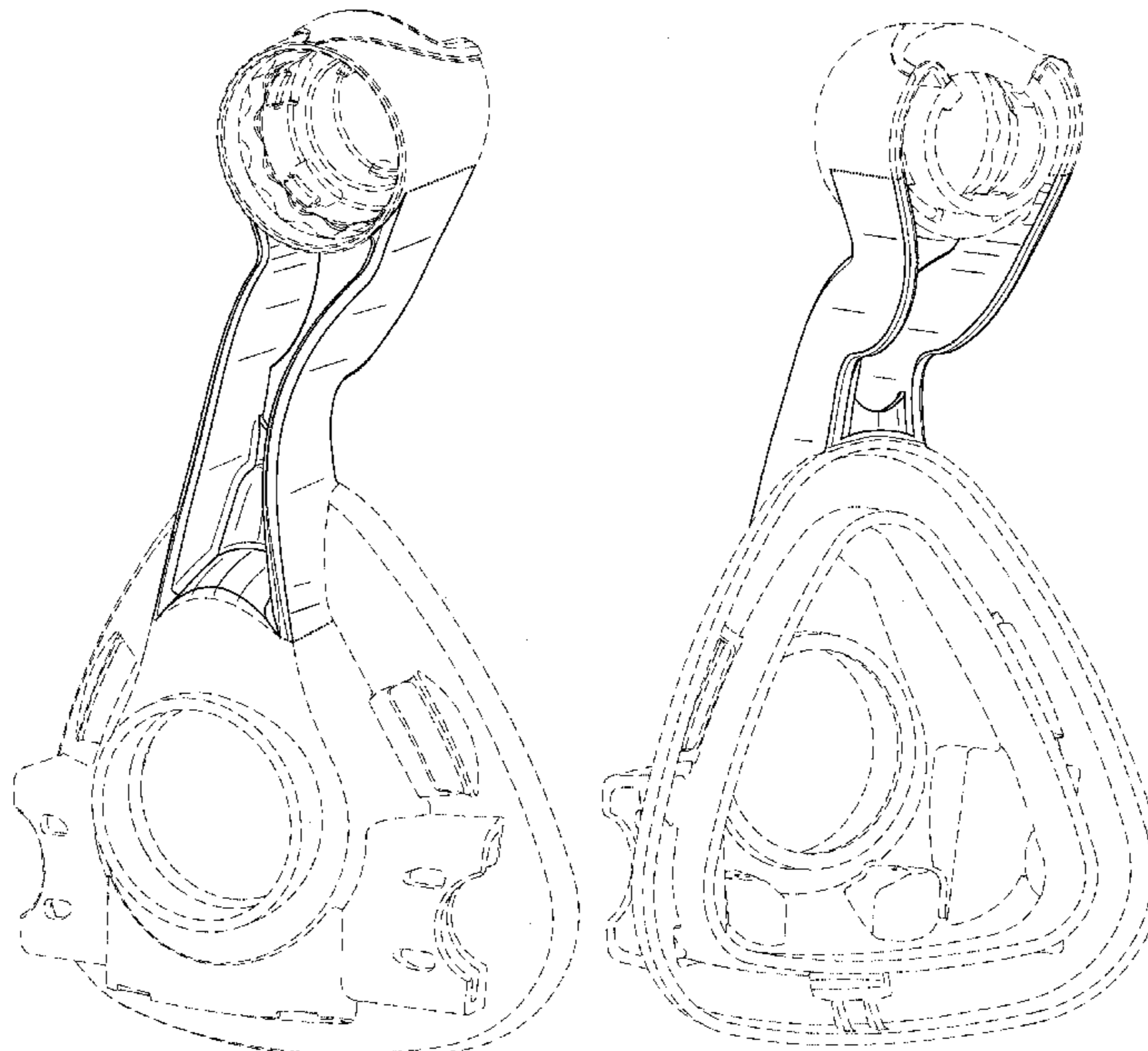
The ornamental design for a frame for a respiratory mask, as shown and described.

DESCRIPTION

FIG. 1 is a front perspective view of a frame for a respiratory mask according to my design;
FIG. 2 is a front view thereof;
FIG. 3 is a rear view thereof;
FIG. 4 is a top view thereof;
FIG. 5 is a bottom view thereof;
FIG. 6 is a right side view thereof with the left side view being a mirror image thereof; and,
FIG. 7 is a rear perspective view thereof.

Where included, broken lines showing environment or structure are for illustrative purposes only and form no part of the claimed design. Where included, dotted lines represent the border between claimed and non-claimed subject matter and form no part of the claimed design.

1 Claim, 6 Drawing Sheets



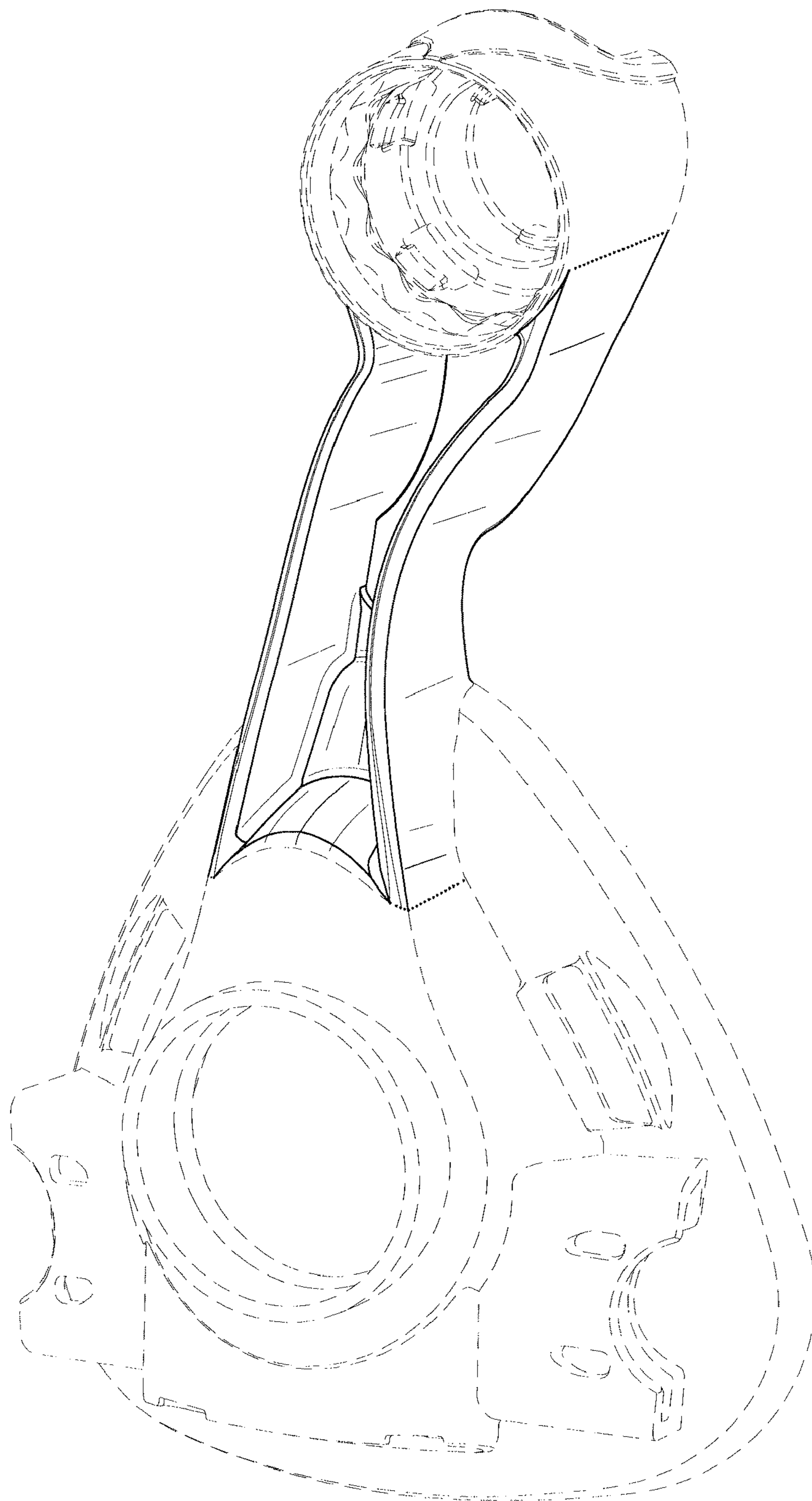


FIG. 1

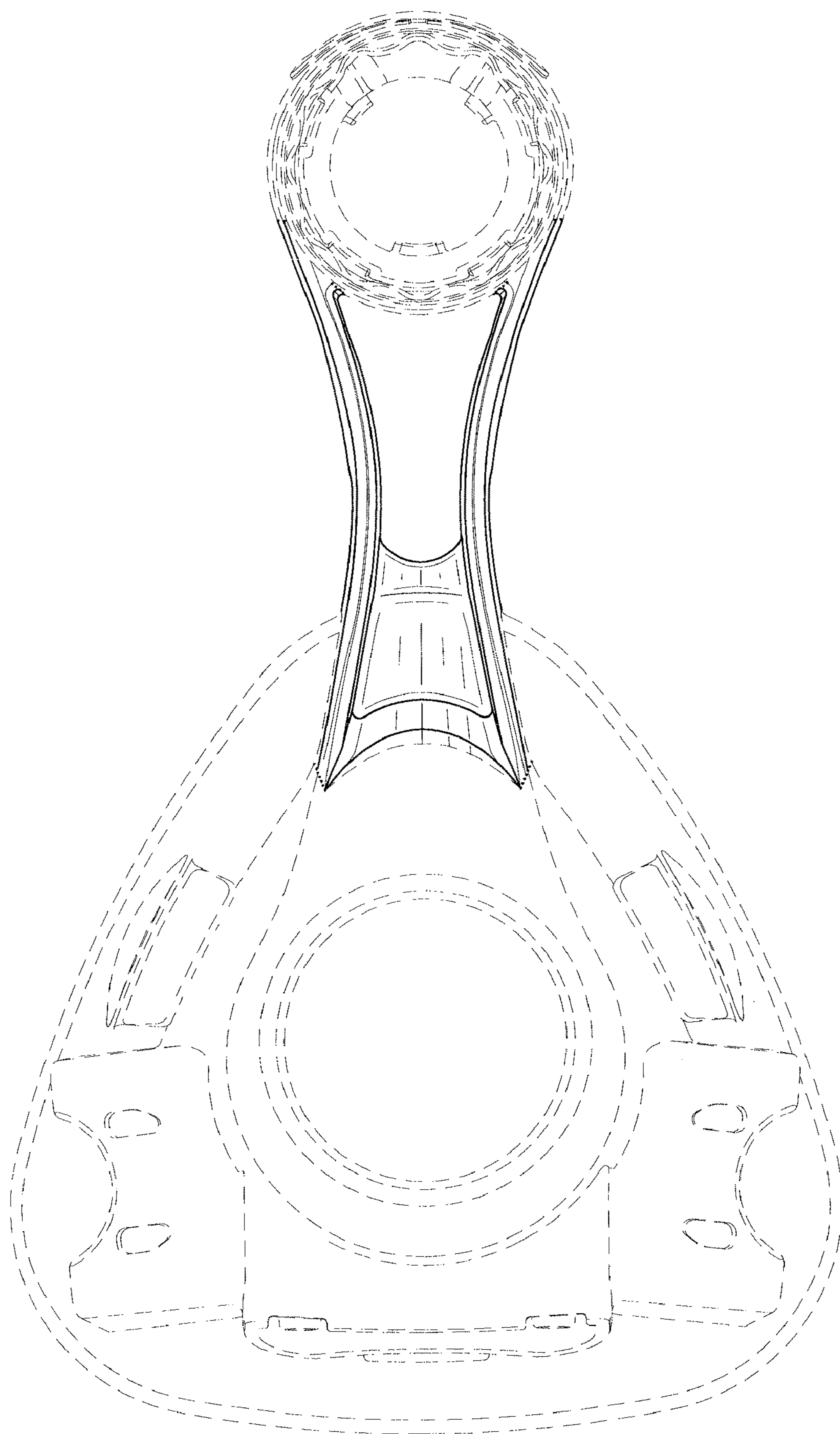


FIG. 2

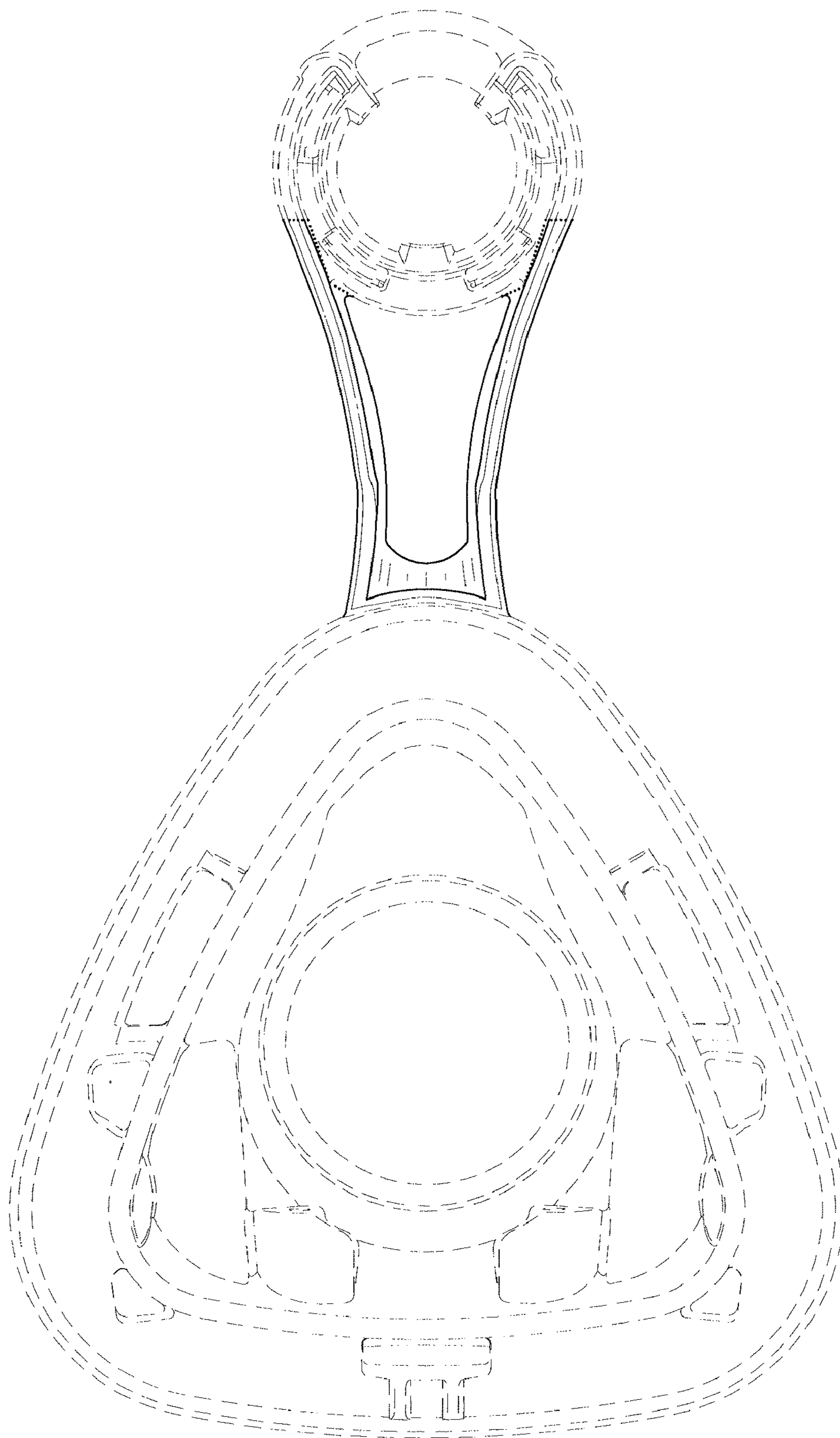


FIG. 3

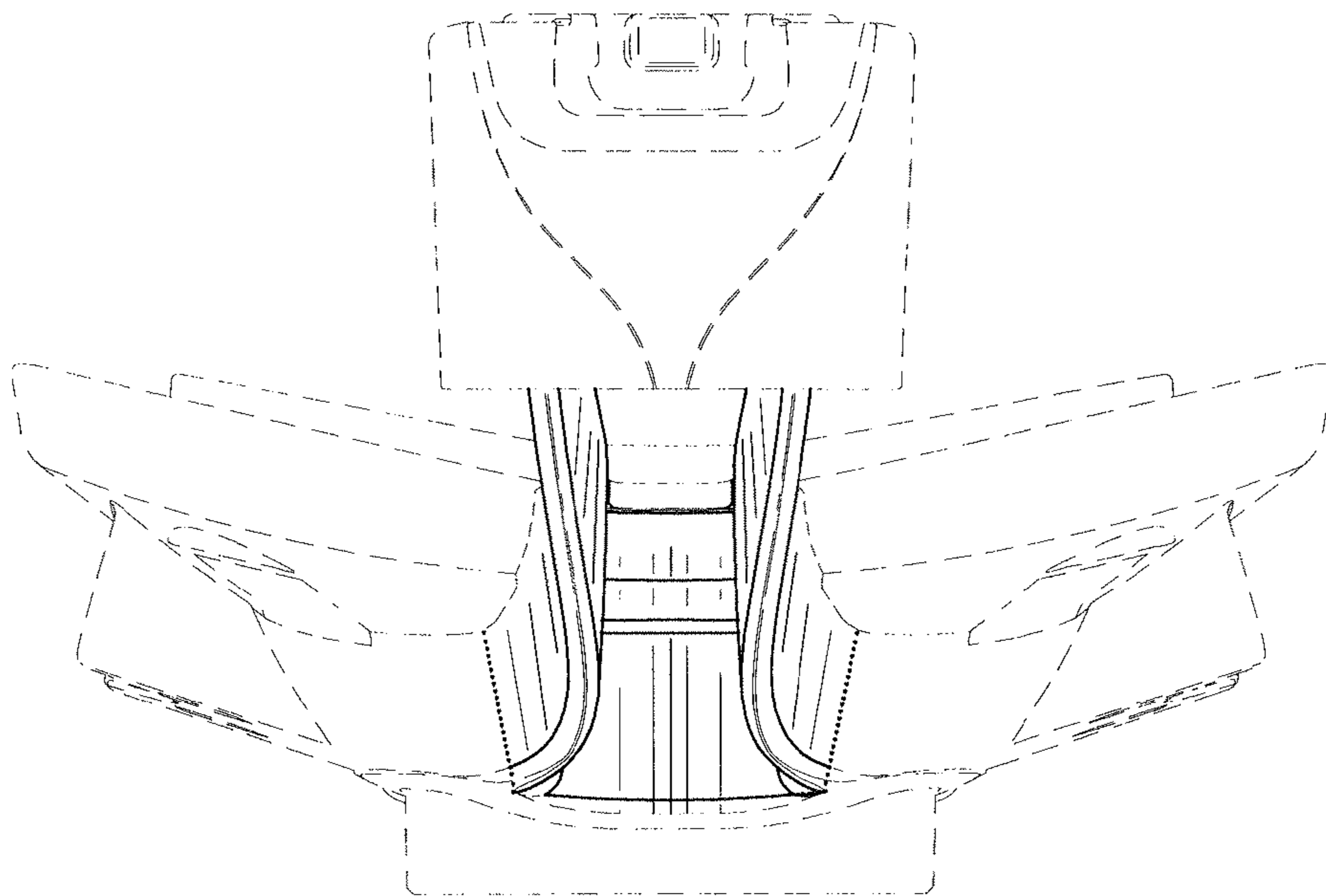


FIG. 4

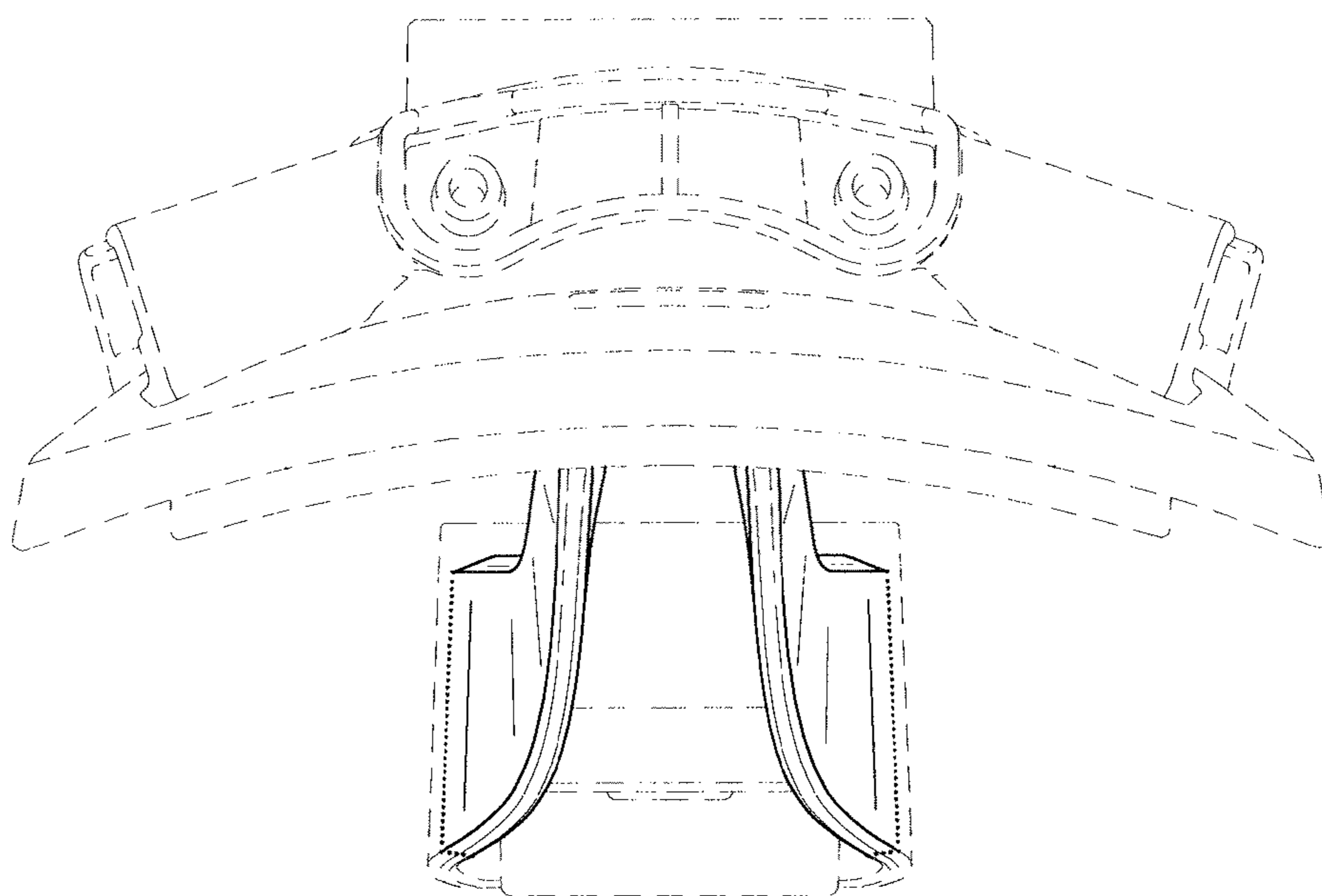


FIG. 5

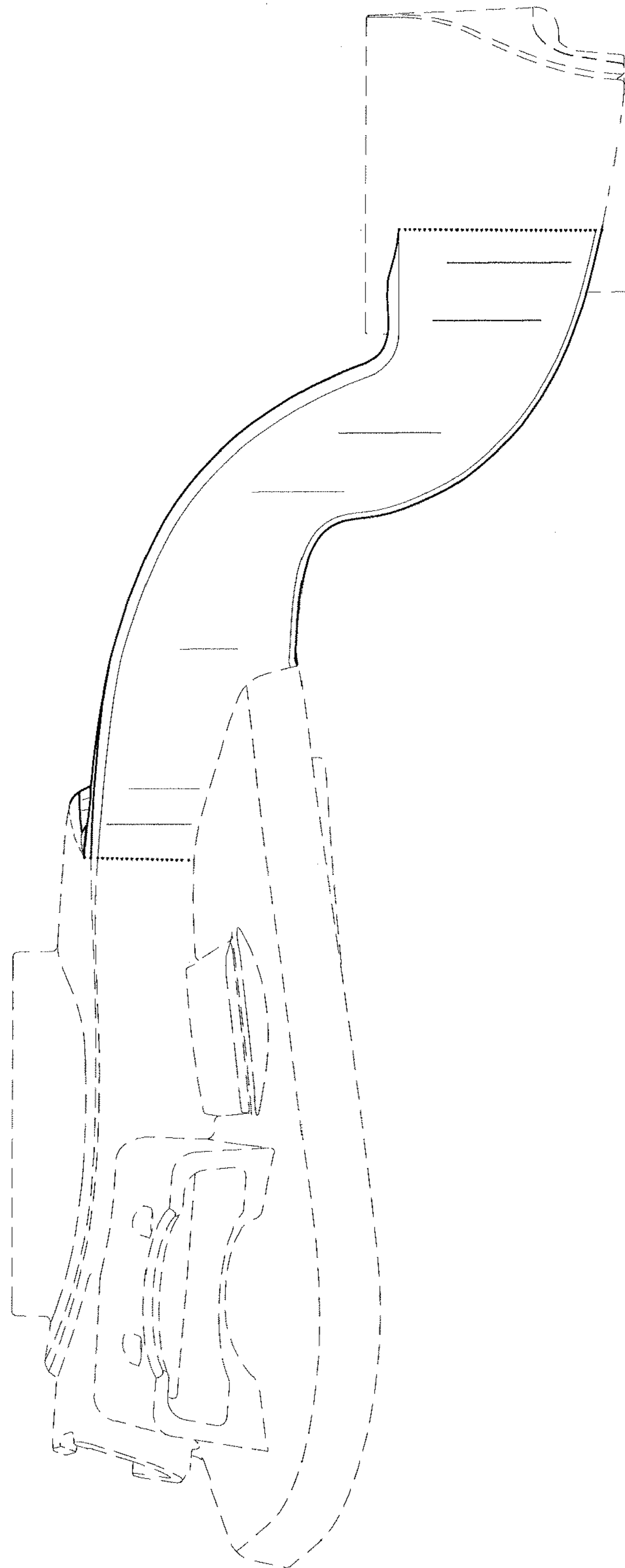


FIG. 6

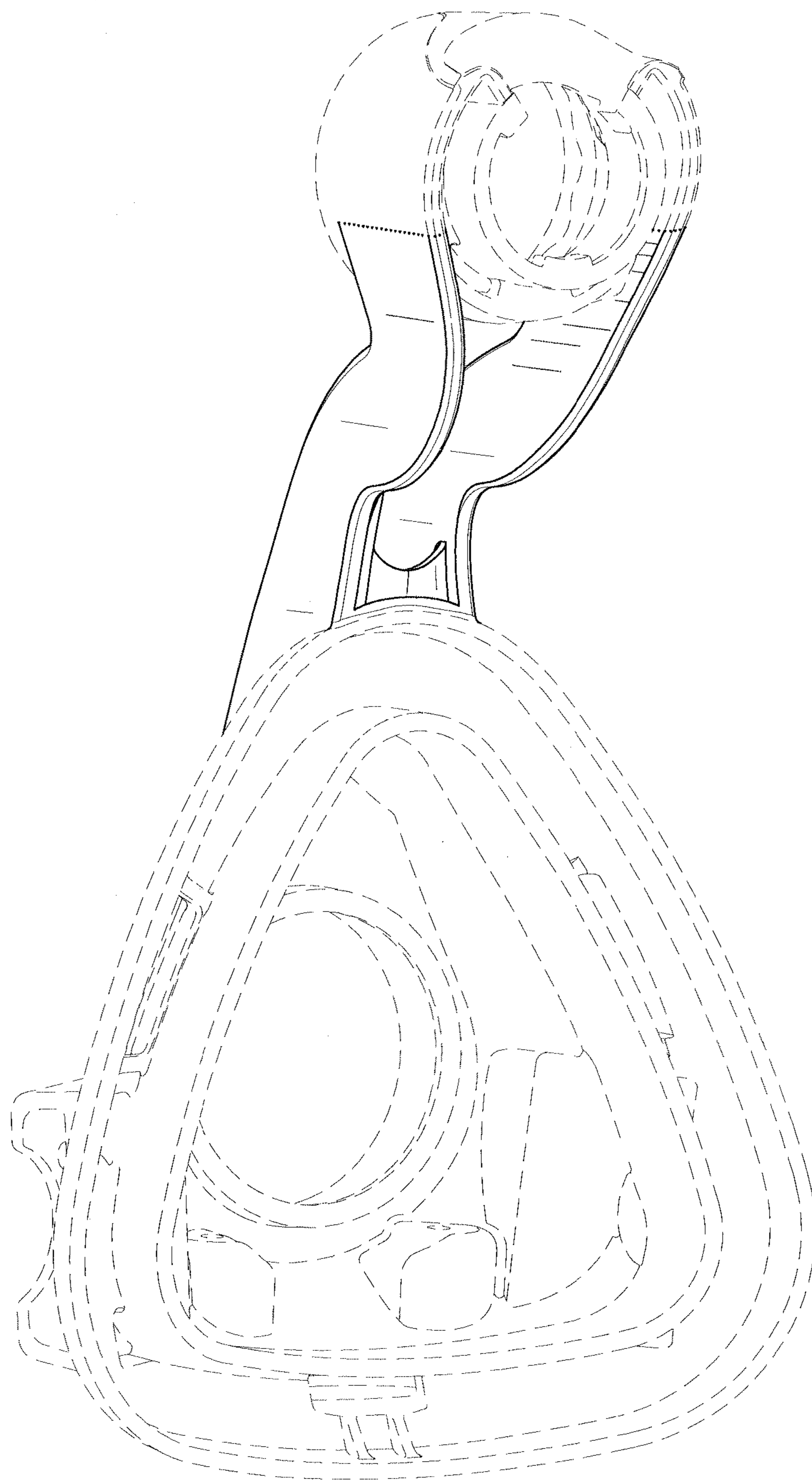


FIG. 7