



US00D652133S

(12) **United States Design Patent**
Hiner et al.

(10) **Patent No.:** **US D652,133 S**

(45) **Date of Patent:** **** Jan. 10, 2012**

(54) **LAMINAR FLOW RADIAL CEILING FAN**

(75) Inventors: **Nicholas Hiner**, Georgetown, IN (US);
Richard Halsall, Georgetown, IN (US)

(73) Assignee: **Exhale Fans LLC**, Georgetown, IN (US)

(**) Term: **14 Years**

(21) Appl. No.: **29/341,859**

(22) Filed: **Aug. 13, 2009**

(51) **LOC (9) Cl.** **23-04**

(52) **U.S. Cl.** **D23/377**

(58) **Field of Classification Search** D23/377,
D23/379, 385, 411, 413; 416/5

See application file for complete search history.

(56) **References Cited**

U.S. PATENT DOCUMENTS

2,321,907	A	6/1943	Gent	
2,626,135	A	1/1953	Serner	
2,632,598	A	3/1953	Wales, Jr.	
4,218,190	A	8/1980	Nishikawa et al.	
4,360,751	A	11/1982	Arnold, Jr. et al.	
4,403,911	A	9/1983	Possell	
D298,454	S *	11/1988	Clyde-Mason D23/385
5,192,182	A	3/1993	Possell	
5,192,183	A	3/1993	Wilkinson	
5,297,926	A	3/1994	Negishi	

D421,798	S	3/2000	Liang	
6,168,517	B1	1/2001	Cook	
6,227,795	B1	5/2001	Schmoll, III	
6,368,078	B1	4/2002	Palumbo	
6,880,679	B2	4/2005	Aschauer	
D559,969	S	1/2008	Hammock, Jr.	
7,357,617	B2	4/2008	Haga et al.	
7,471,026	B2 *	12/2008	Bender 310/268
7,862,309	B2 *	1/2011	Chen et al. 417/423.12

* cited by examiner

Primary Examiner — Lisa Lichtenstein

(74) *Attorney, Agent, or Firm* — Bishop & Diehl, Ltd.

(57) **CLAIM**

The ornamental design for a laminar flow radial ceiling fan, as shown and described.

DESCRIPTION

FIG. 1 is a perspective view of laminar flow, radial ceiling fan disclosed in FIGS. 1-4;

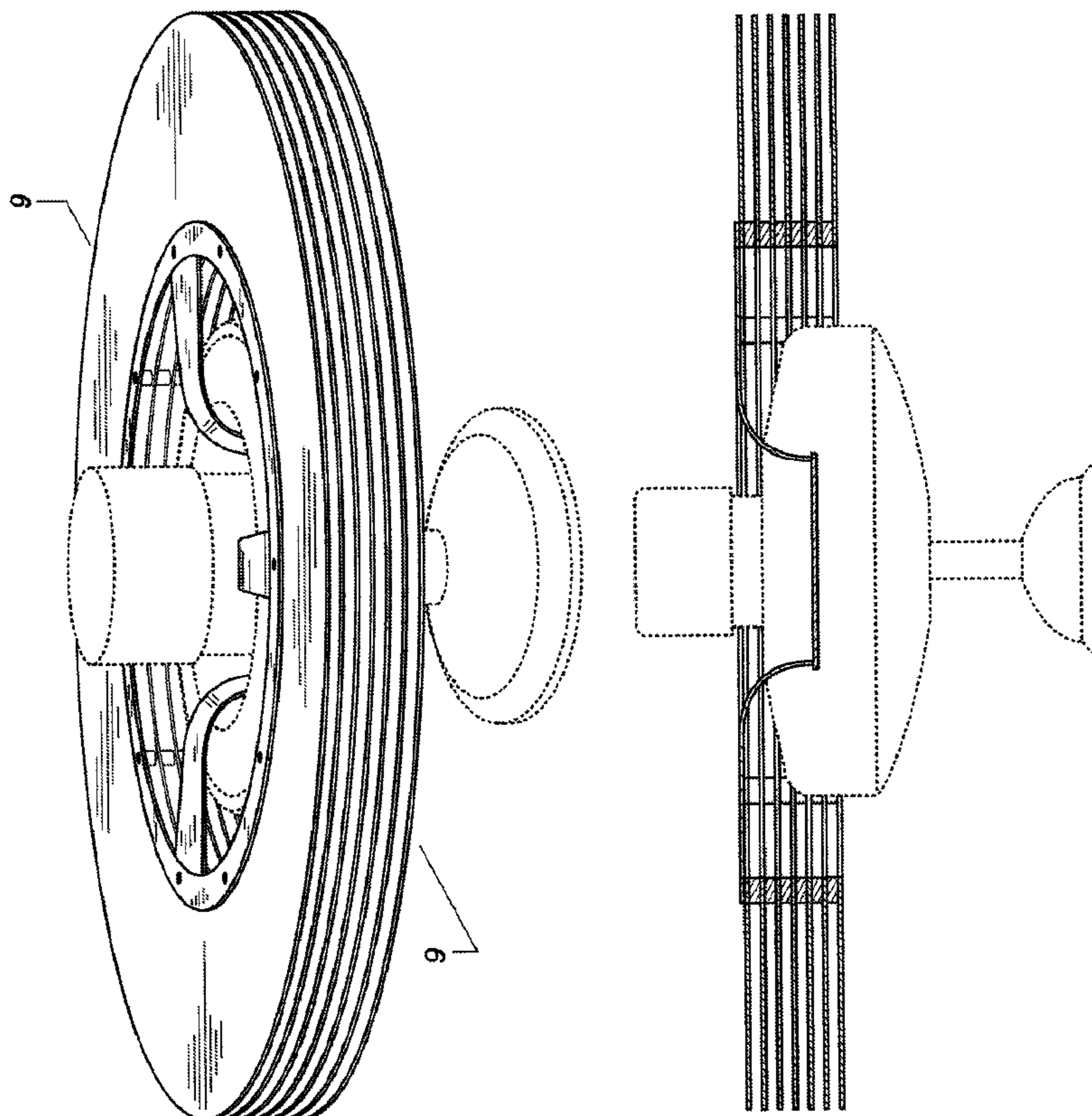
FIG. 2 is a cross sectional side view of the circular, laminar flow, radial ceiling fan disclosed in FIG. 1 taken along section lines 2-2 in FIG. 1;

FIG. 3 is a reduced bottom plan view of the circular, laminar flow, radial ceiling fan of FIGS. 1 and 2; and,

FIG. 4 is a reduced top view of the circular, laminar flow, radial ceiling fan disclosed in FIGS. 1, 2 and 3.

The broken line showing of a drive motor is included for the purpose of illustrating environmental structure and forms no part of the claimed design.

1 Claim, 4 Drawing Sheets



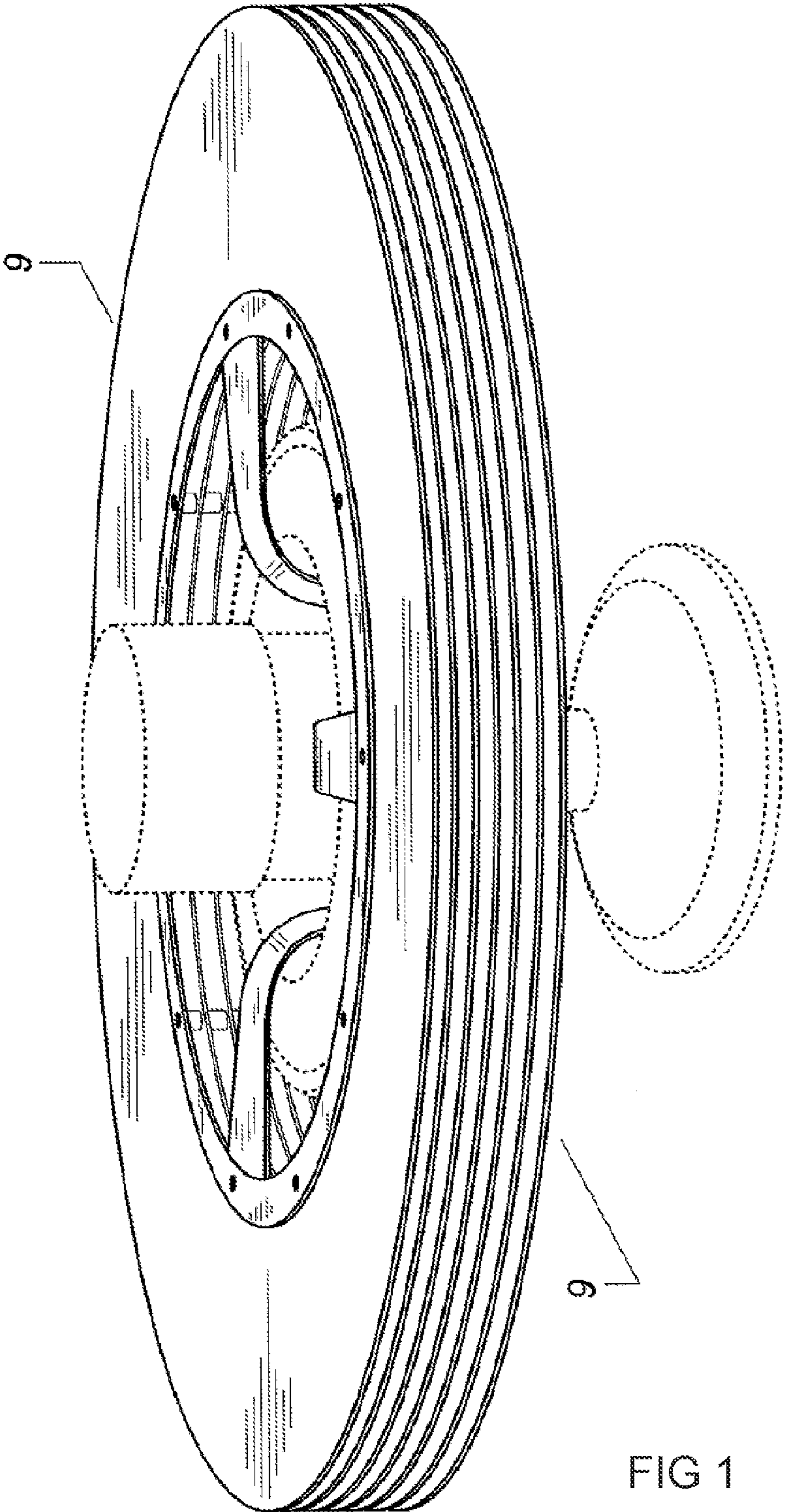


FIG 1

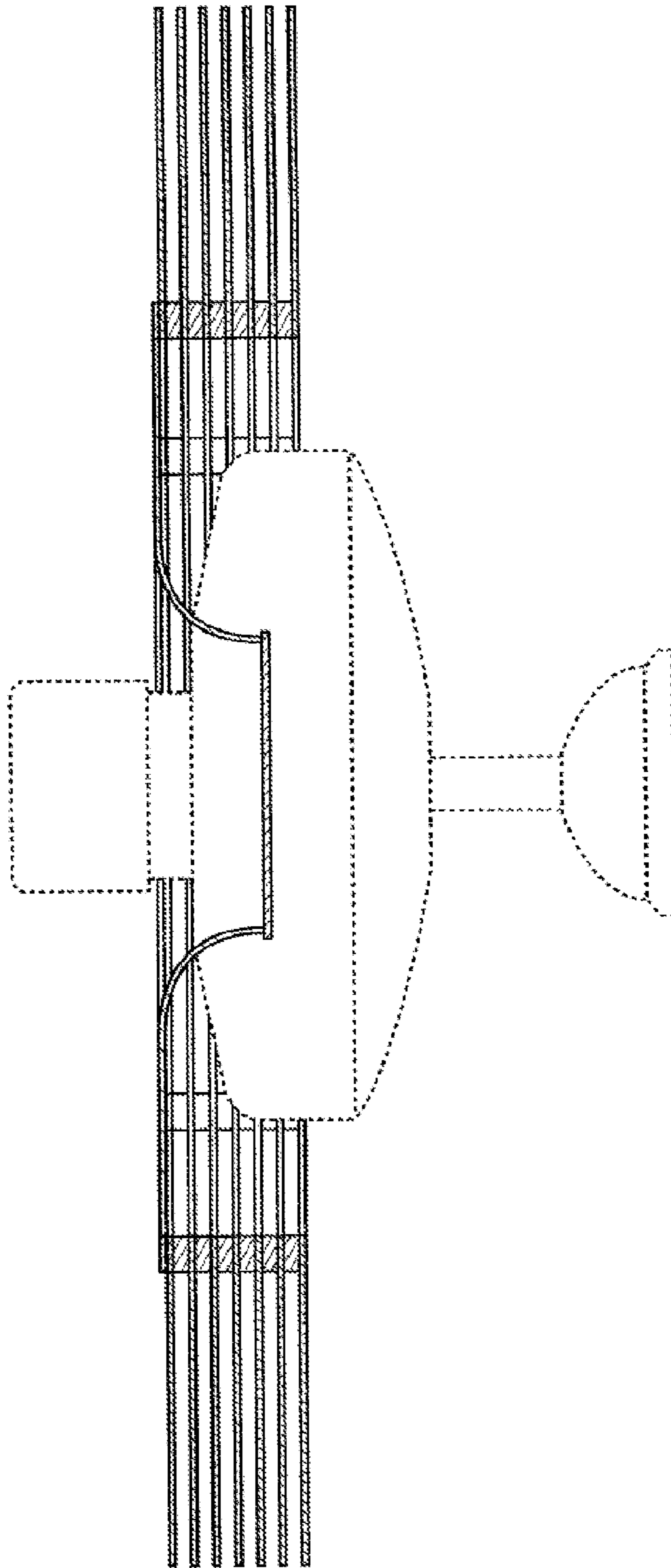


FIG 2

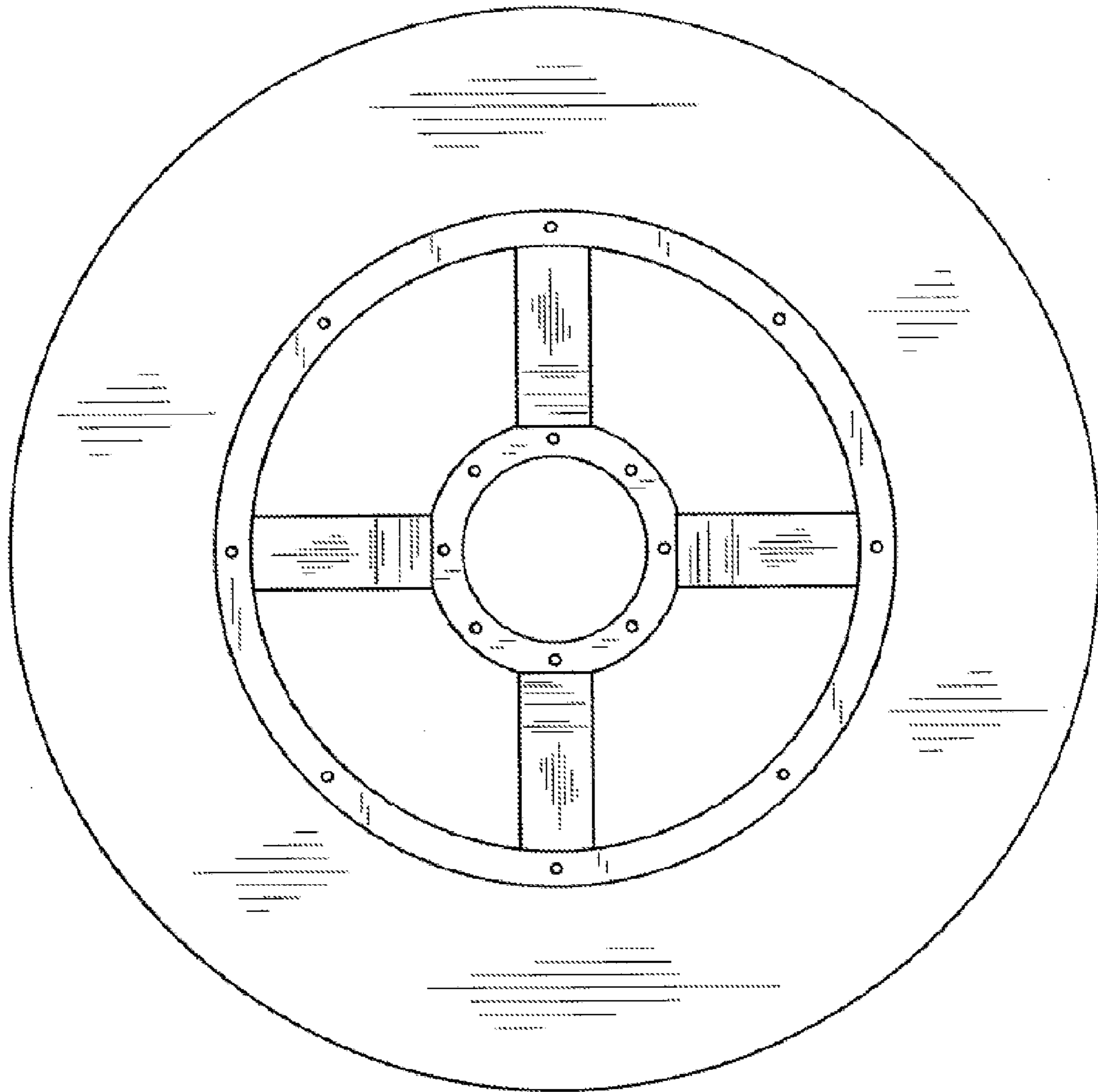


FIG 3

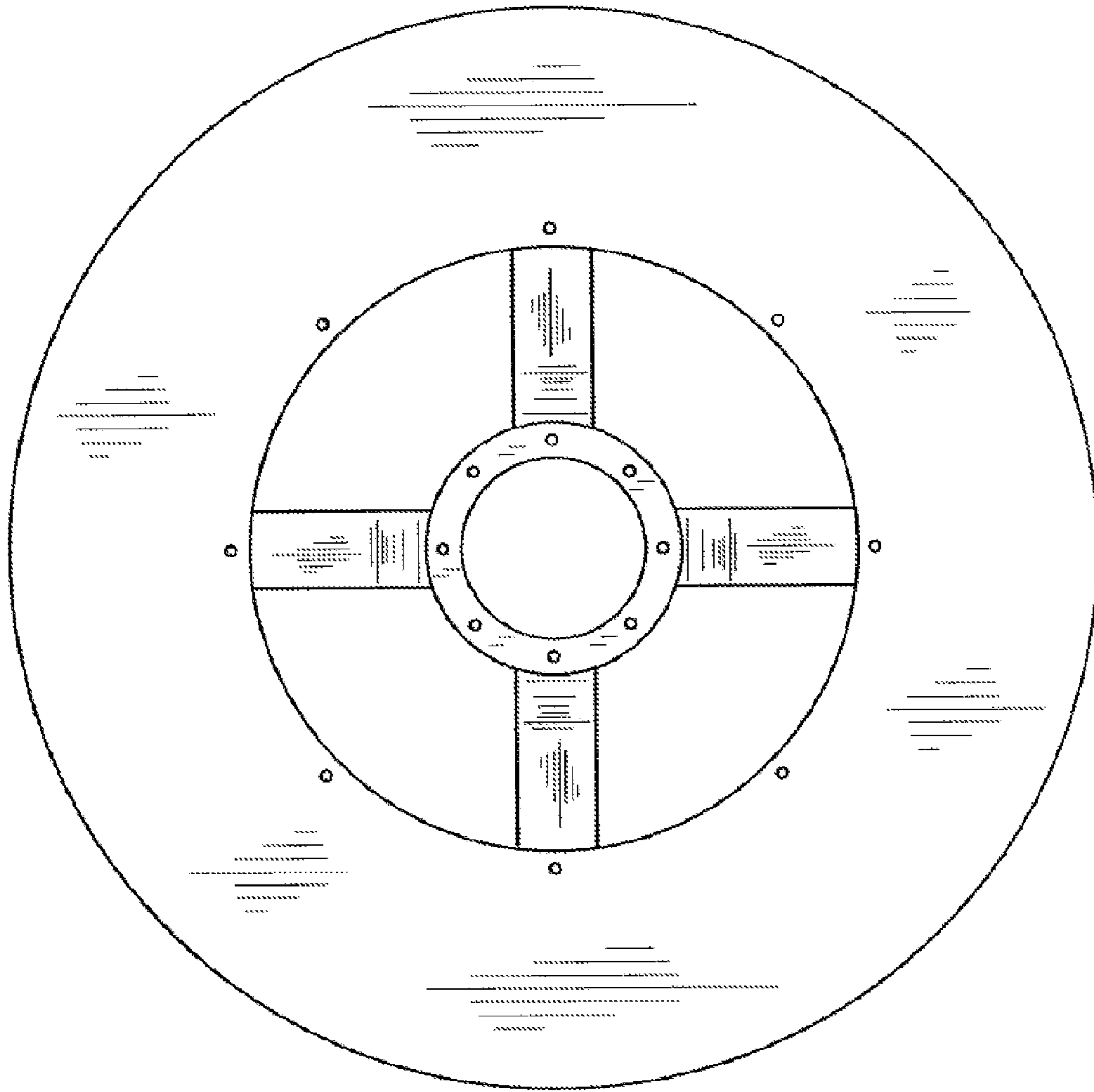


FIG 4