



US00D652128S

(12) **United States Design Patent**
Smith et al.

(10) **Patent No.:** **US D652,128 S**
(45) **Date of Patent:** **** Jan. 10, 2012**

(54) **RADIANT HEATER**

(75) Inventors: **Scott David Smith**, North Ryde (AU);
Mark Stewart Michalowsky, Vaucluse (AU)

(73) Assignee: **Bromic Heating Pty Limited**, Sydney (AU)

(**) Term: **14 Years**

(21) Appl. No.: **29/399,240**

(22) Filed: **Aug. 10, 2011**

Related U.S. Application Data

(62) Division of application No. 29/386,203, filed on Feb. 25, 2011.

(51) **LOC (9) Cl.** **23-01**

(52) **U.S. Cl.** **D23/342**

(58) **Field of Classification Search** D23/317,
D23/314, 332, 333, 334, 335, 337, 342, 351,
D23/355, 378, 370, 381, 364, 336, 341, 330;
416/244 R, 247 R, 53.1-53.3; 392/365, 367

See application file for complete search history.

(56) **References Cited**

U.S. PATENT DOCUMENTS

2,495,513 A * 1/1950 Doyle 338/299
D195,878 S 8/1963 Zimmerman

(Continued)

Primary Examiner — T. Chase Nelson

Assistant Examiner — Ania Aman

(74) *Attorney, Agent, or Firm* — The Maxham Firm

(57) **CLAIM**

The ornamental design for a radiant heater, as shown and described.

DESCRIPTION

FIG. 1 is an isometric view of a first embodiment of the radiant heater according to the invention, showing the front face as curved and having a full face mesh with round holes;

FIG. 2 is a left end view of the radiant heater in FIG. 1, the right end view being a mirror image thereof;

FIG. 3 is a front face view of the heater element of FIG. 1;

FIG. 4 is a top view of the radiant heater of FIG. 1;

FIG. 5 is a bottom view of the radiant heater of FIG. 1;

FIG. 6 is a front elevation view of the radiant heater of FIG. 1;

FIG. 7 is a second embodiment of the front face view of the radiant heater similar to FIG. 3 of the first embodiment in which the front face round holes of the first embodiment are instead oval holes;

FIG. 8 is a third embodiment of the front face view of the radiant heater similar to FIG. 3 of the first embodiment in which the front face round holes of the first embodiment are instead hexagonal holes;

FIG. 9 is a fourth embodiment of the front face view of the radiant heater similar to FIG. 3 of the first embodiment in which the front face round holes of the first embodiment are instead square holes;

FIG. 10 is an isometric view of a fifth embodiment of the radiant heater according to the invention, showing the front face as angled and having a full face mesh with round holes;

FIG. 11 is a left end view of the radiant heater in FIG. 10, the right end view being a mirror image thereof;

FIG. 12 is a front face view of the heater element of FIG. 10;

FIG. 13 is a top view of the radiant heater of FIG. 10;

FIG. 14 is a bottom view of the radiant heater of FIG. 10;

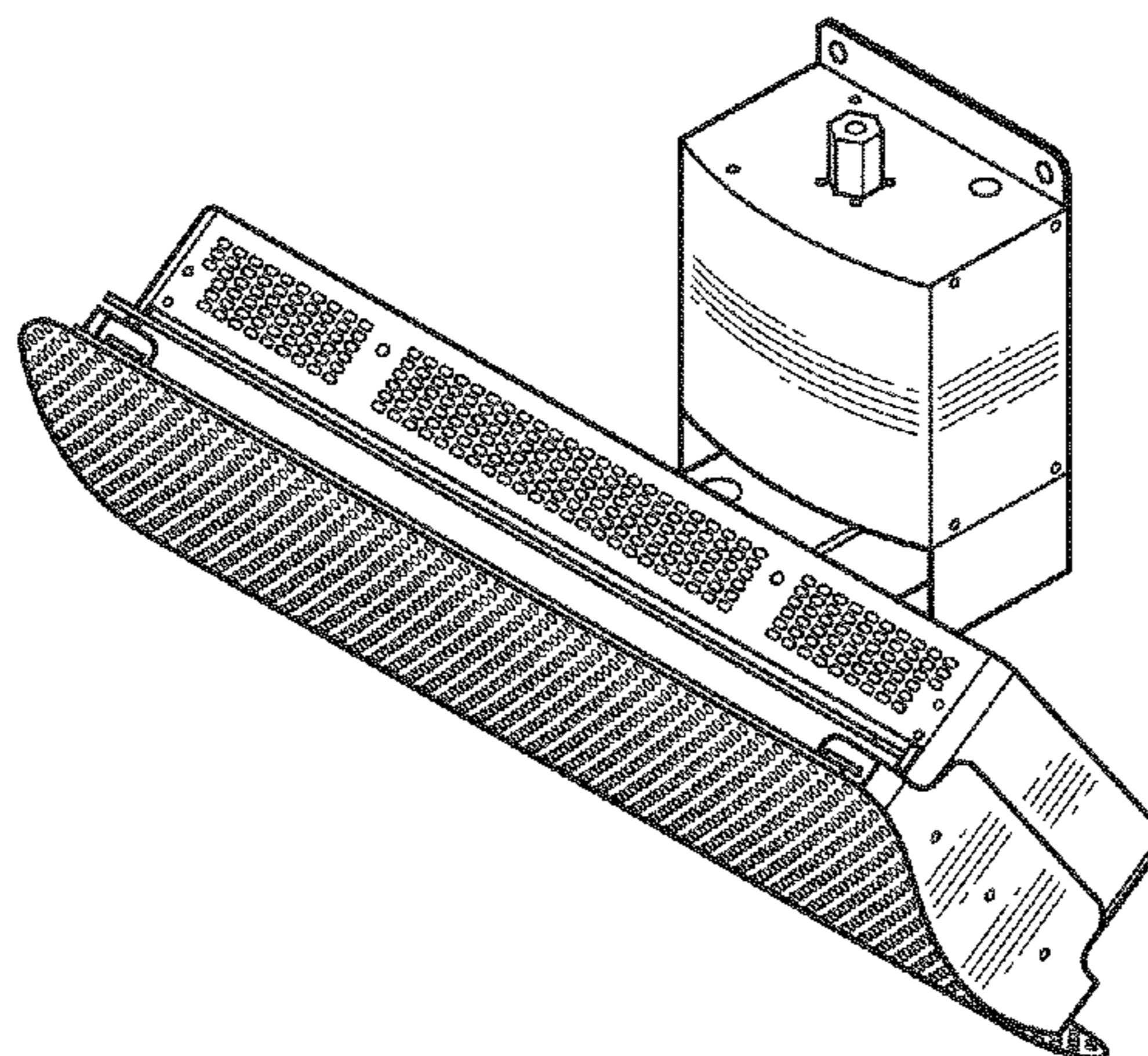
FIG. 15 is a front elevation view of the radiant heater of FIG. 10;

FIG. 16 is a sixth embodiment of the front face view of the radiant heater similar to FIG. 12 of the fifth embodiment in which the front face round holes of the fifth embodiment are instead oval holes;

FIG. 17 is a seventh embodiment of the front face view of the radiant heater similar to FIG. 12 of the fifth embodiment in which the front face round holes of the fifth embodiment are instead hexagonal holes; and,

FIG. 18 is an eighth embodiment of the front face view of the radiant heater similar to FIG. 12 of the fifth embodiment in which the front face round holes of the fifth embodiment are instead square holes.

1 Claim, 6 Drawing Sheets



US D652,128 S

Page 2

U.S. PATENT DOCUMENTS

D225,639 S	12/1972	Smith	D558,865 S	1/2008	Yoo et al.
D282,202 S	1/1986	Ellersick	D619,231 S	7/2010	Yeung
D379,650 S	6/1997	Smith et al.	D627,450 S	11/2010	Hall, Jr. et al.
6,334,439 B1	1/2002	Specht et al.	D627,451 S	11/2010	Hall, Jr. et al.
7,013,080 B1	3/2006	Kaplanis et al.	D627,868 S	11/2010	Hall, Jr. et al.
D534,627 S	1/2007	Stokes	2004/0026400 A1	2/2004	Ptak
D545,420 S	6/2007	Jacobsen	2006/0198084 A1	9/2006	Hall, Jr. et al.
D551,327 S	9/2007	Lamanna	2008/0152329 A1	6/2008	Saunders et al.

* cited by examiner

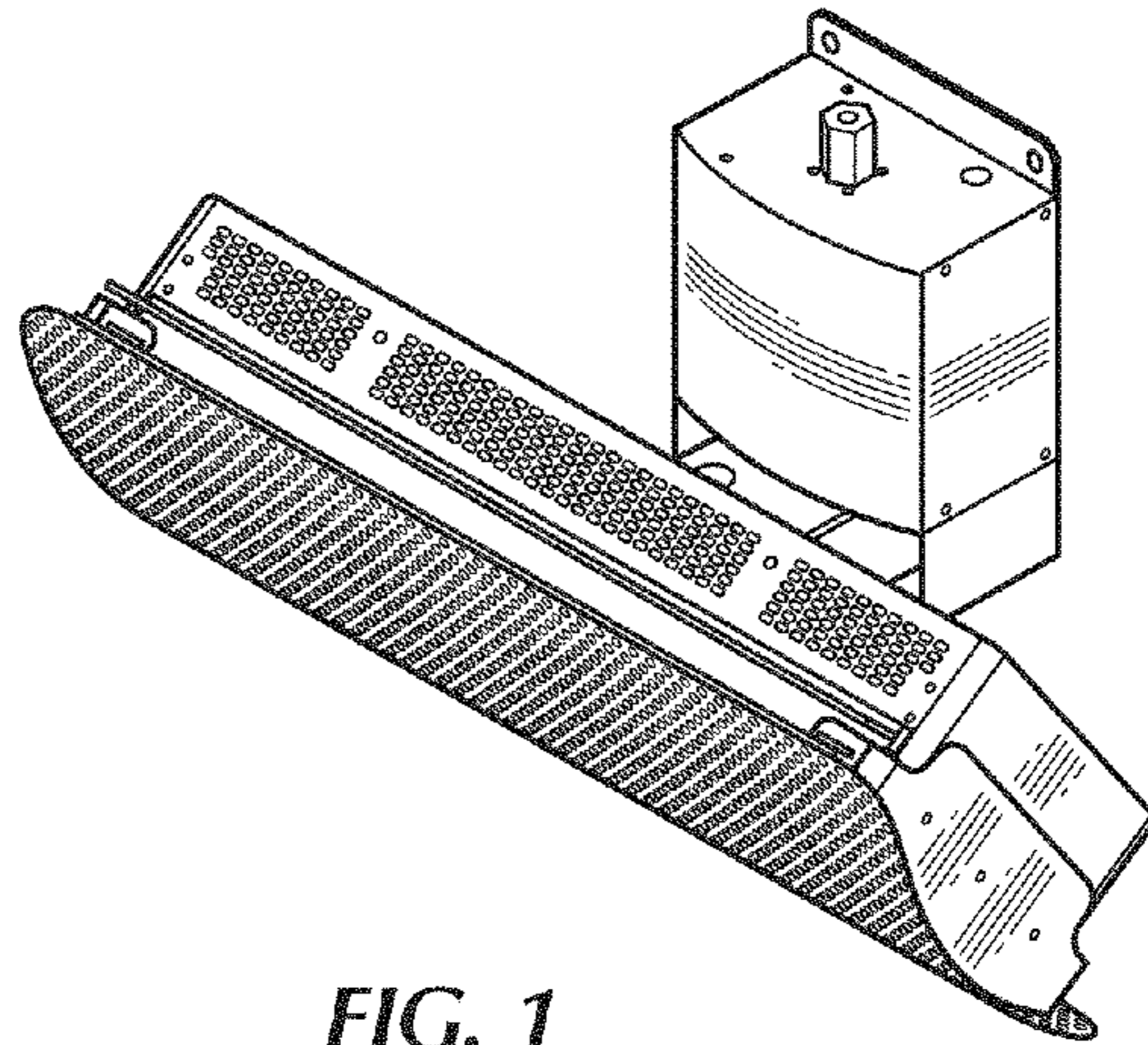


FIG. 1

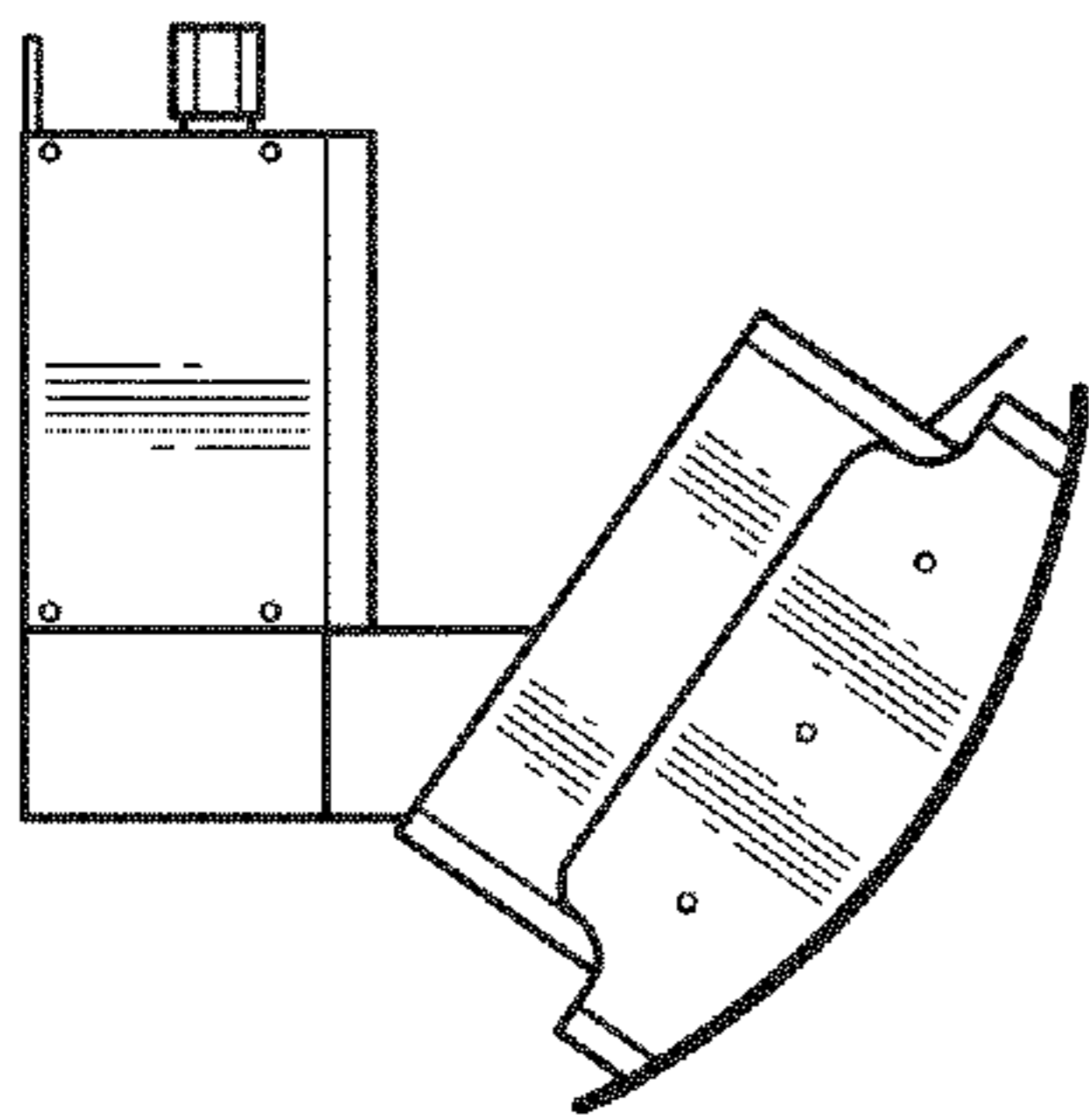


FIG. 2

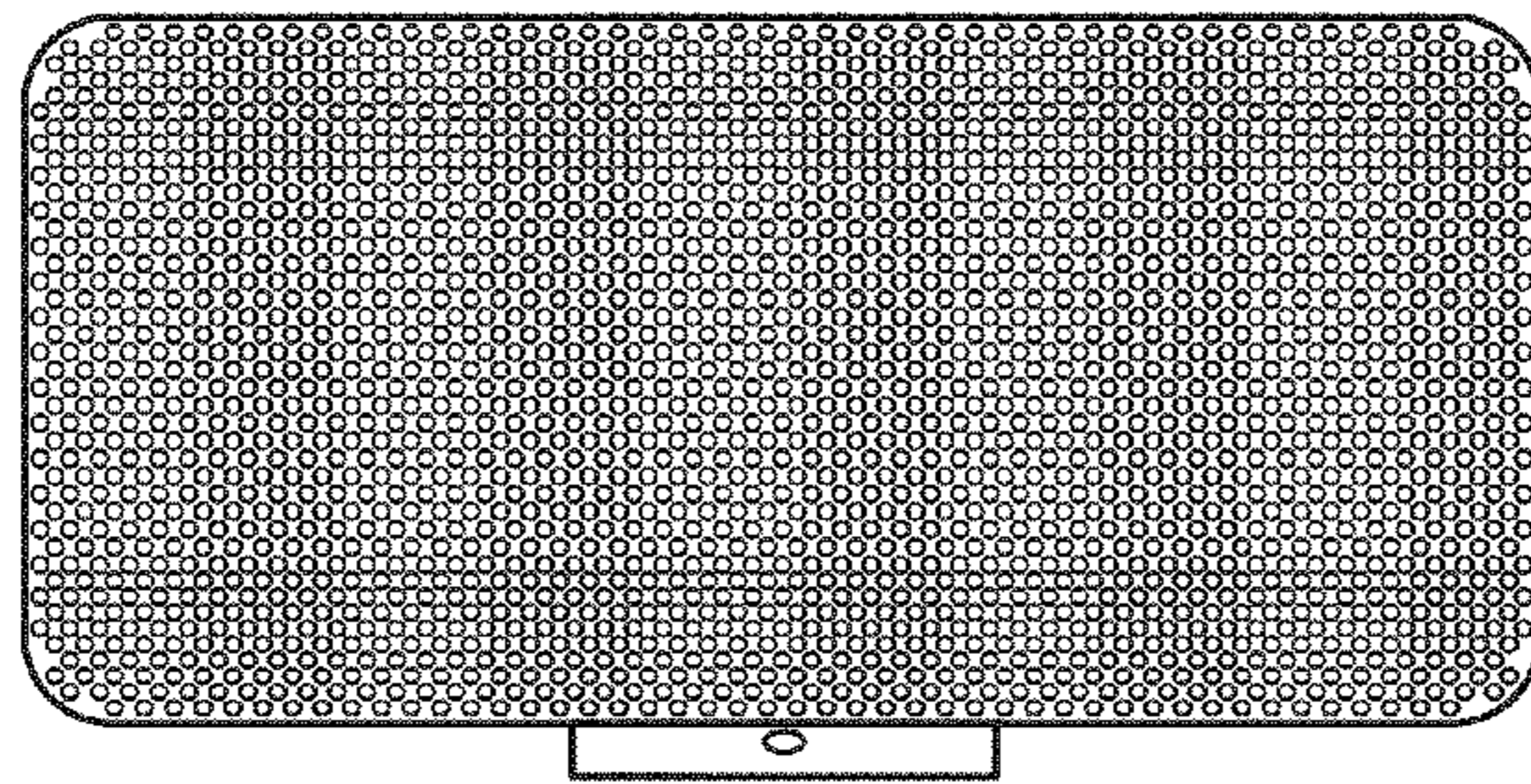


FIG. 3

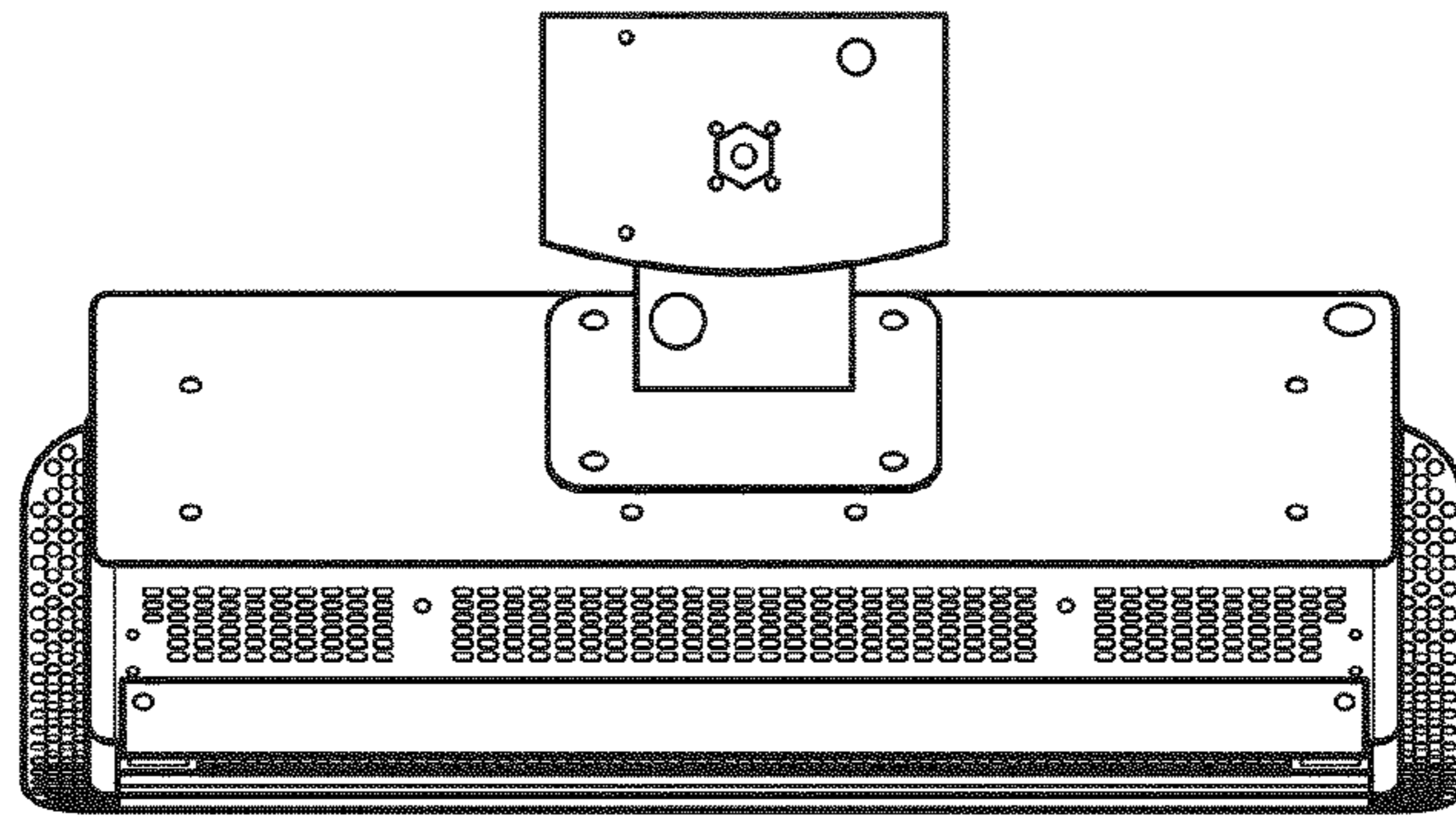


FIG. 4

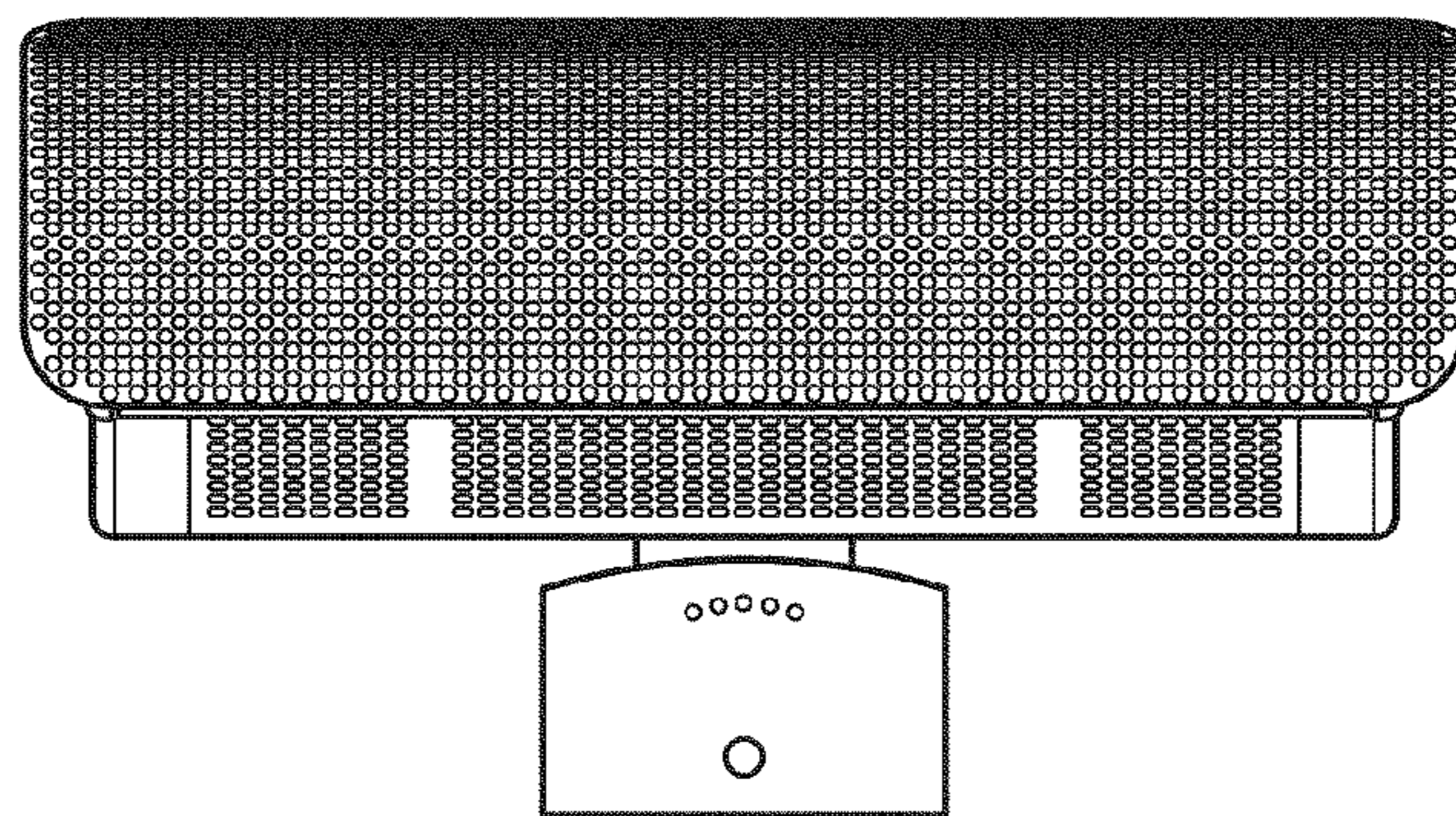


FIG. 5

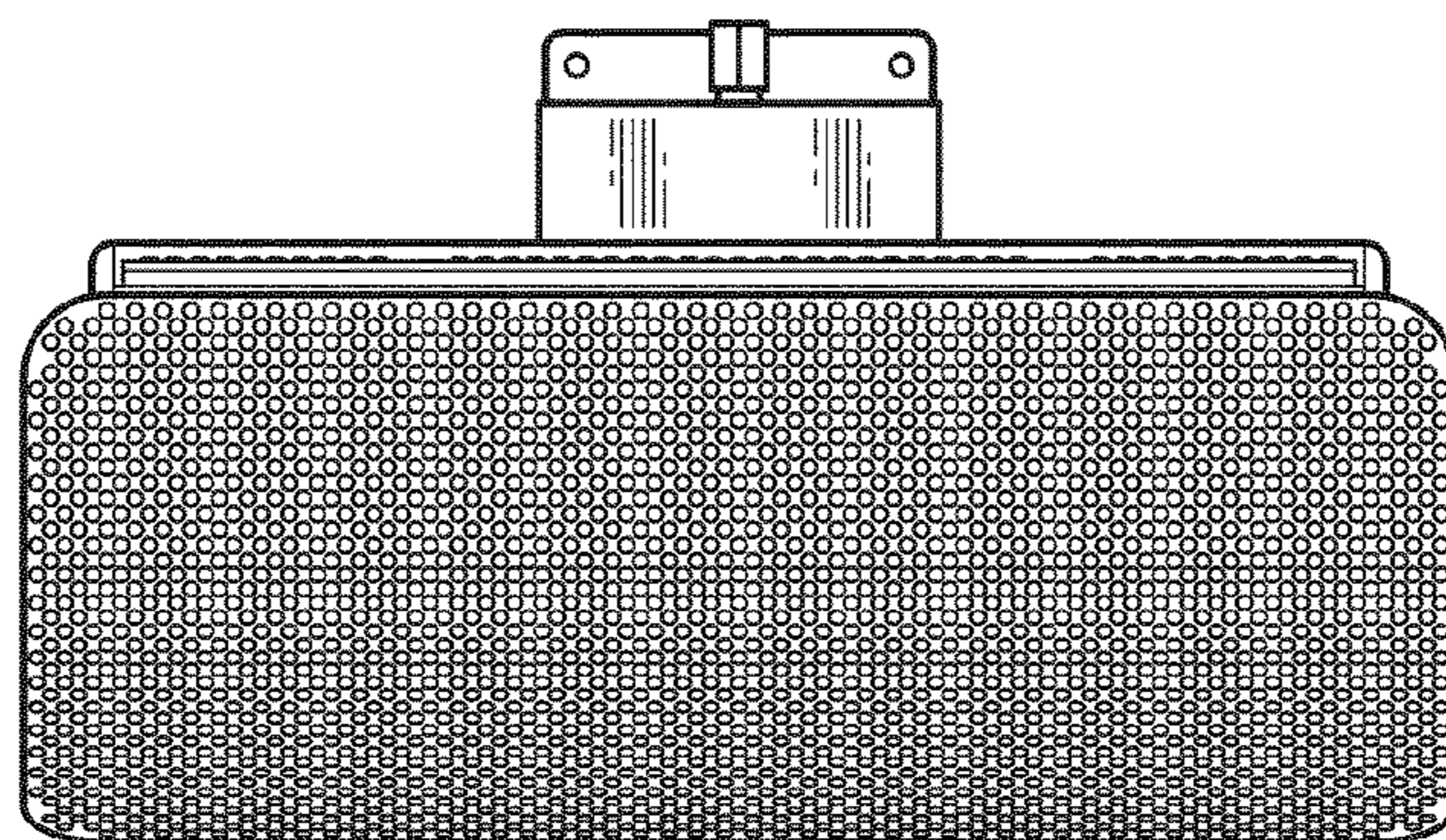


FIG. 6

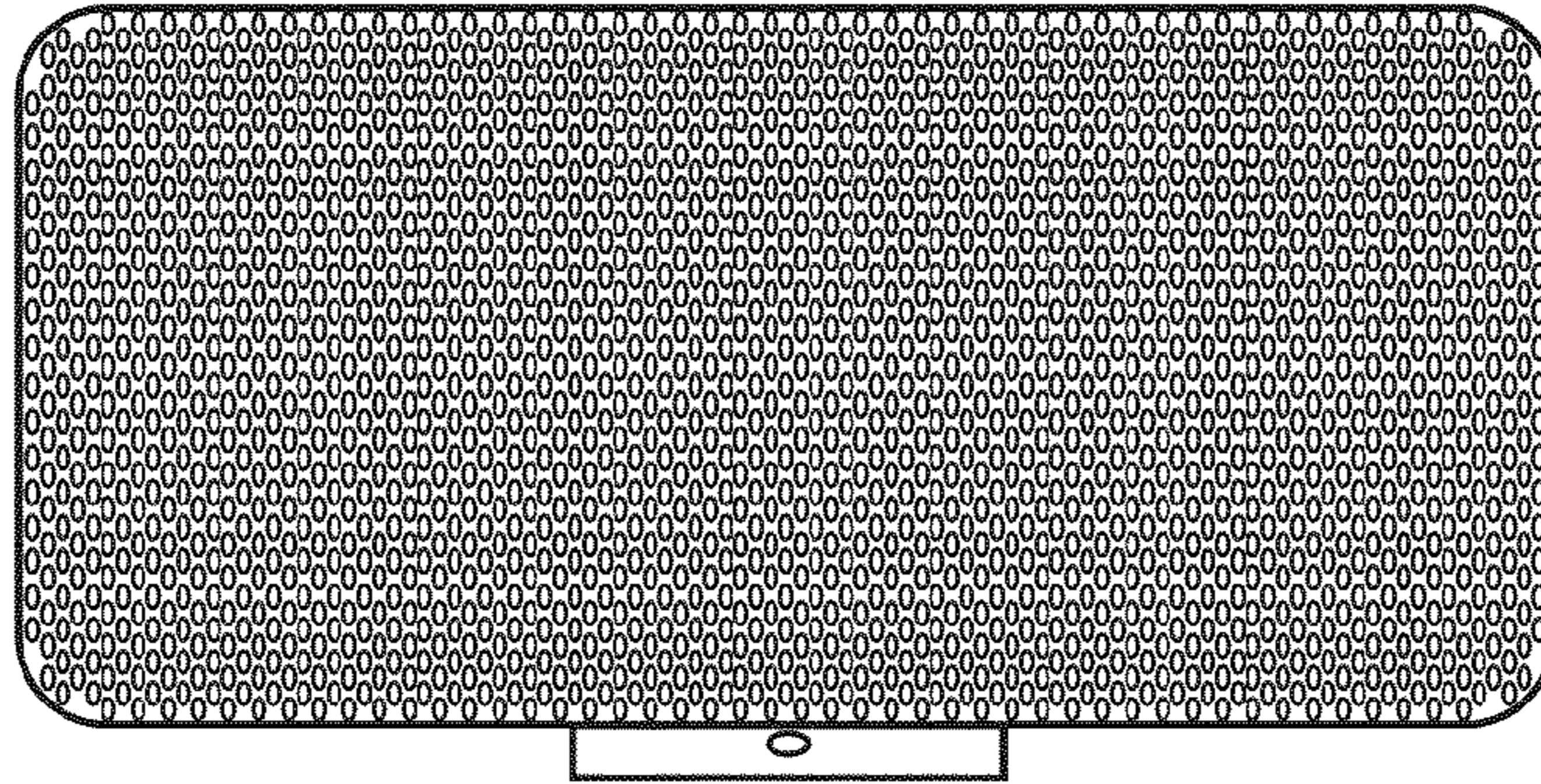


FIG. 7

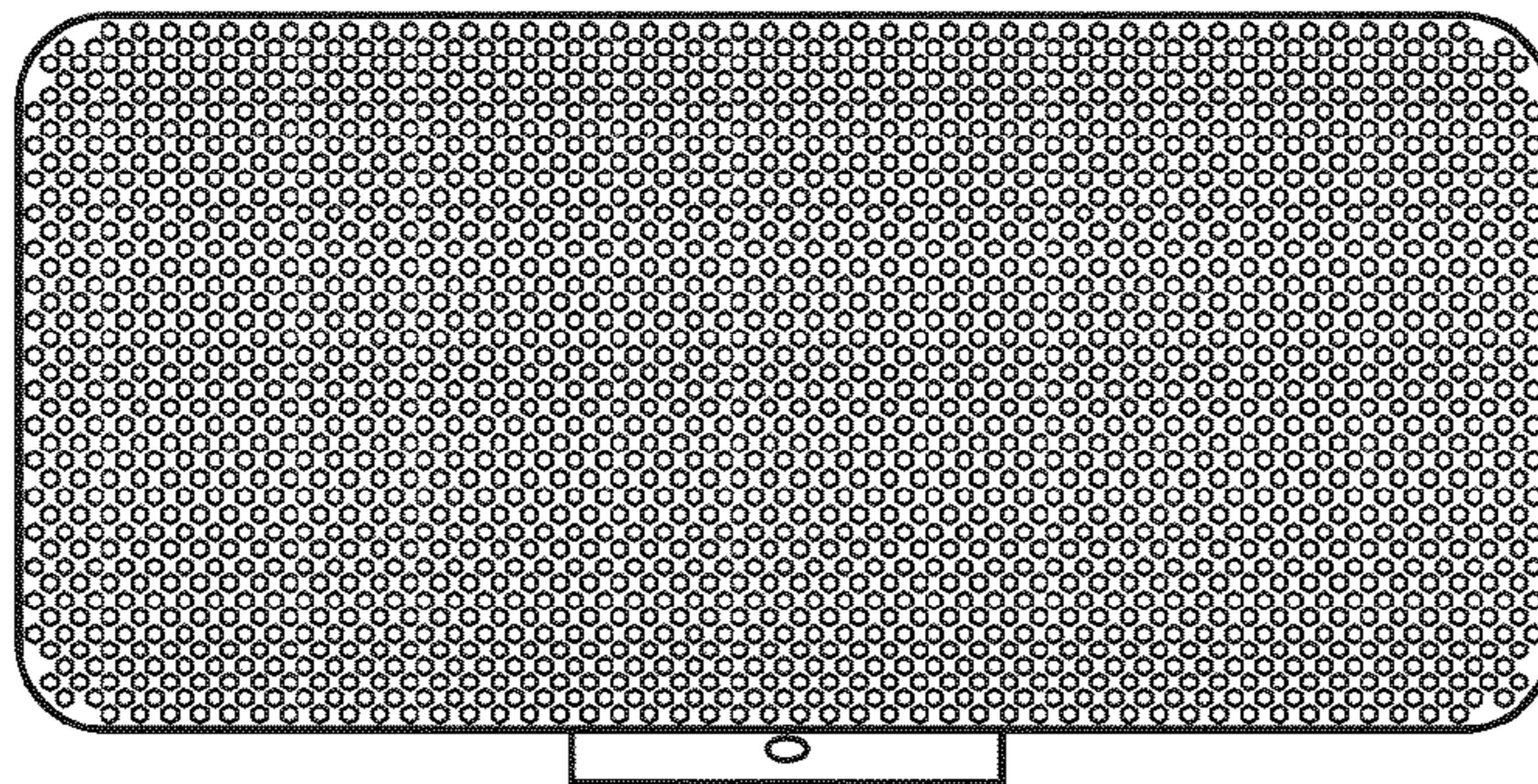


FIG. 8

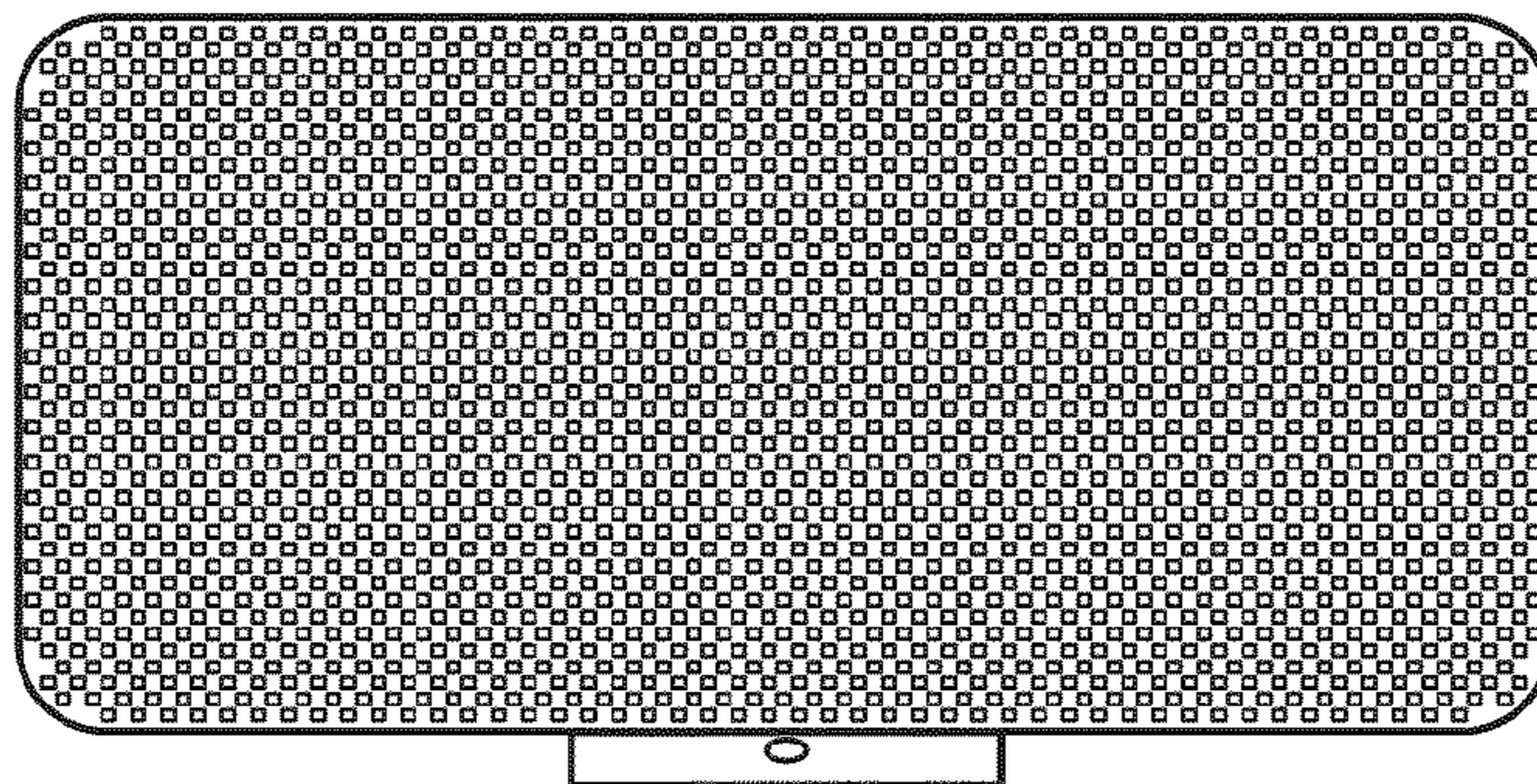


FIG. 9

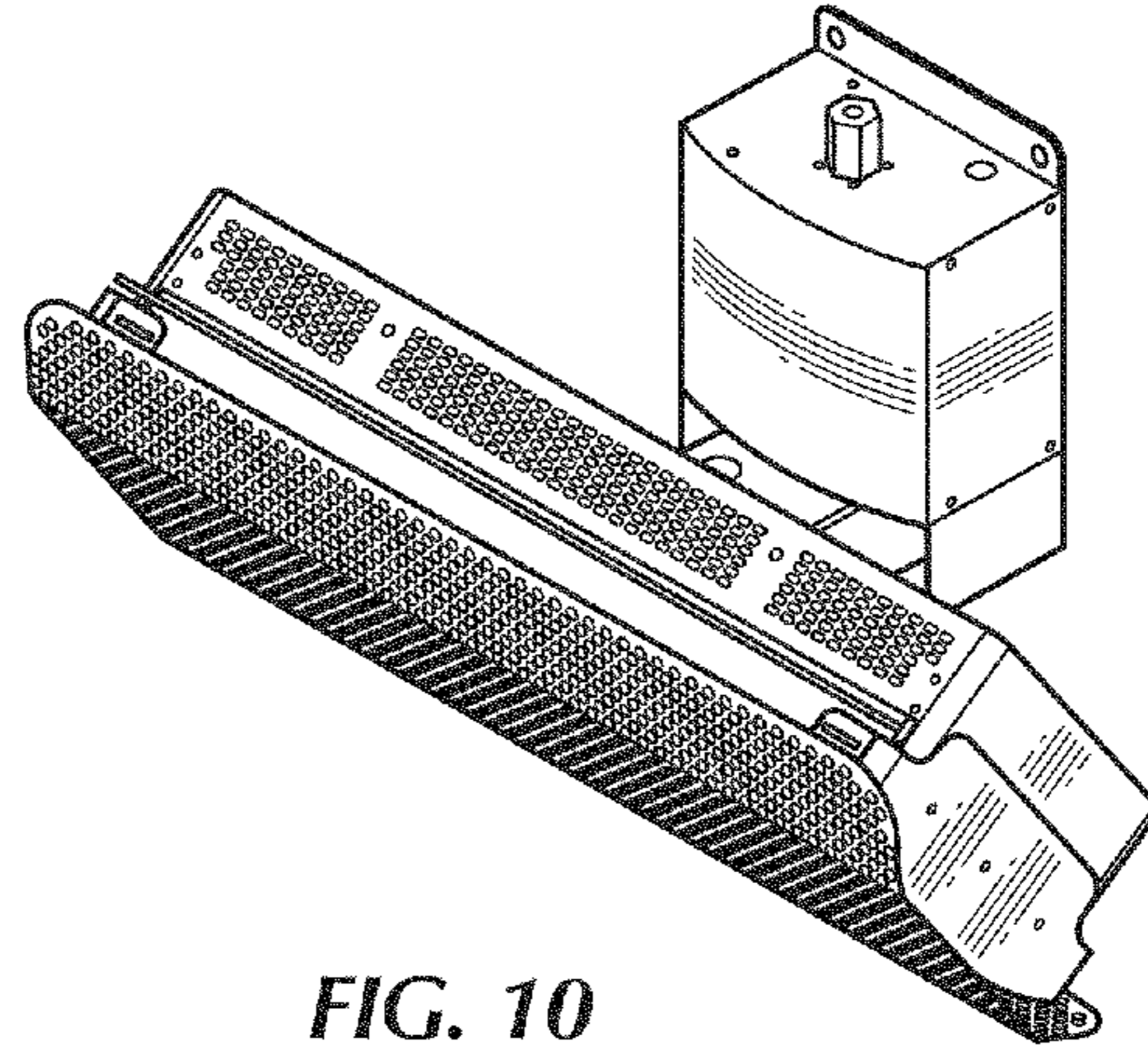


FIG. 10

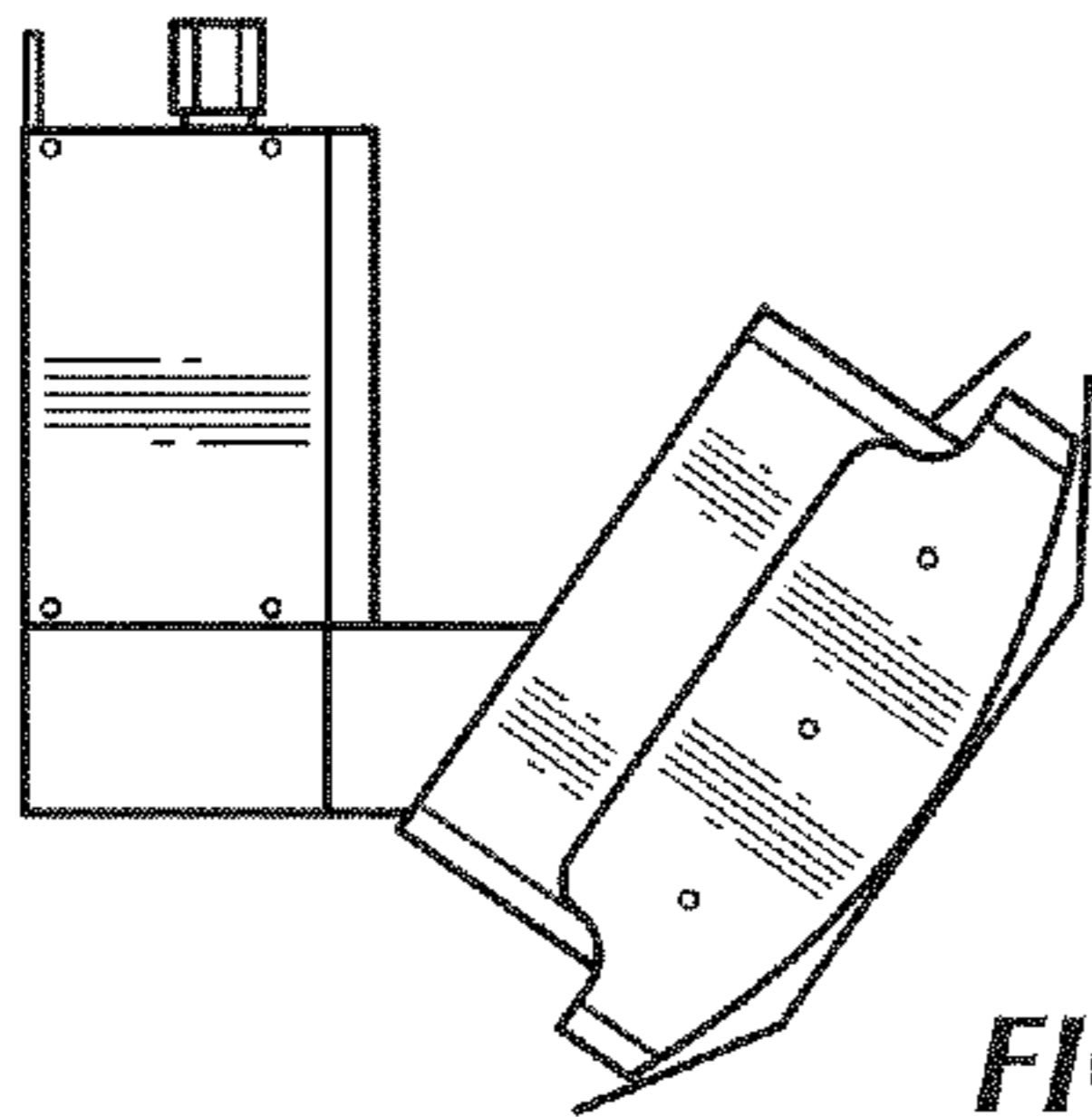


FIG. 11

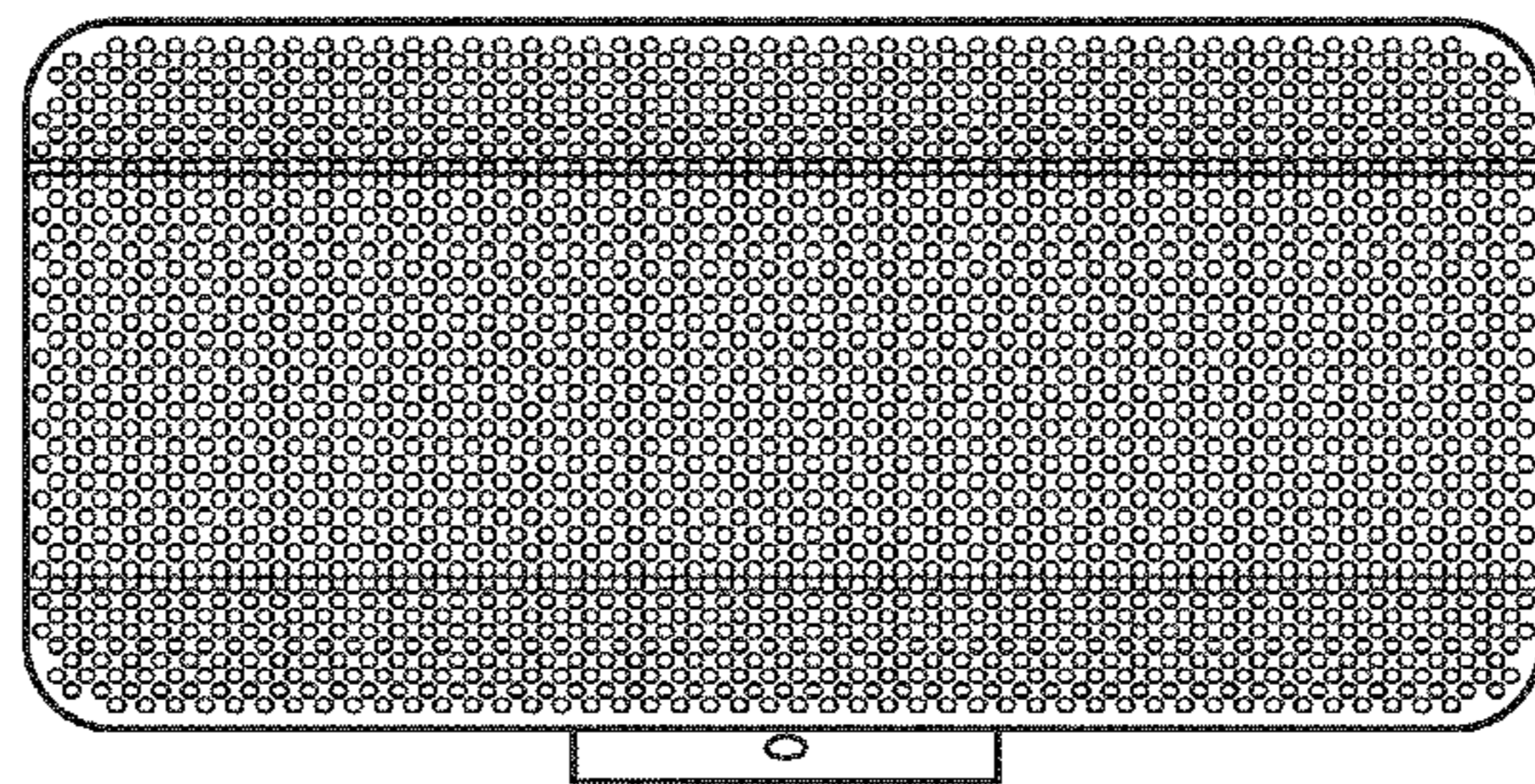


FIG. 12

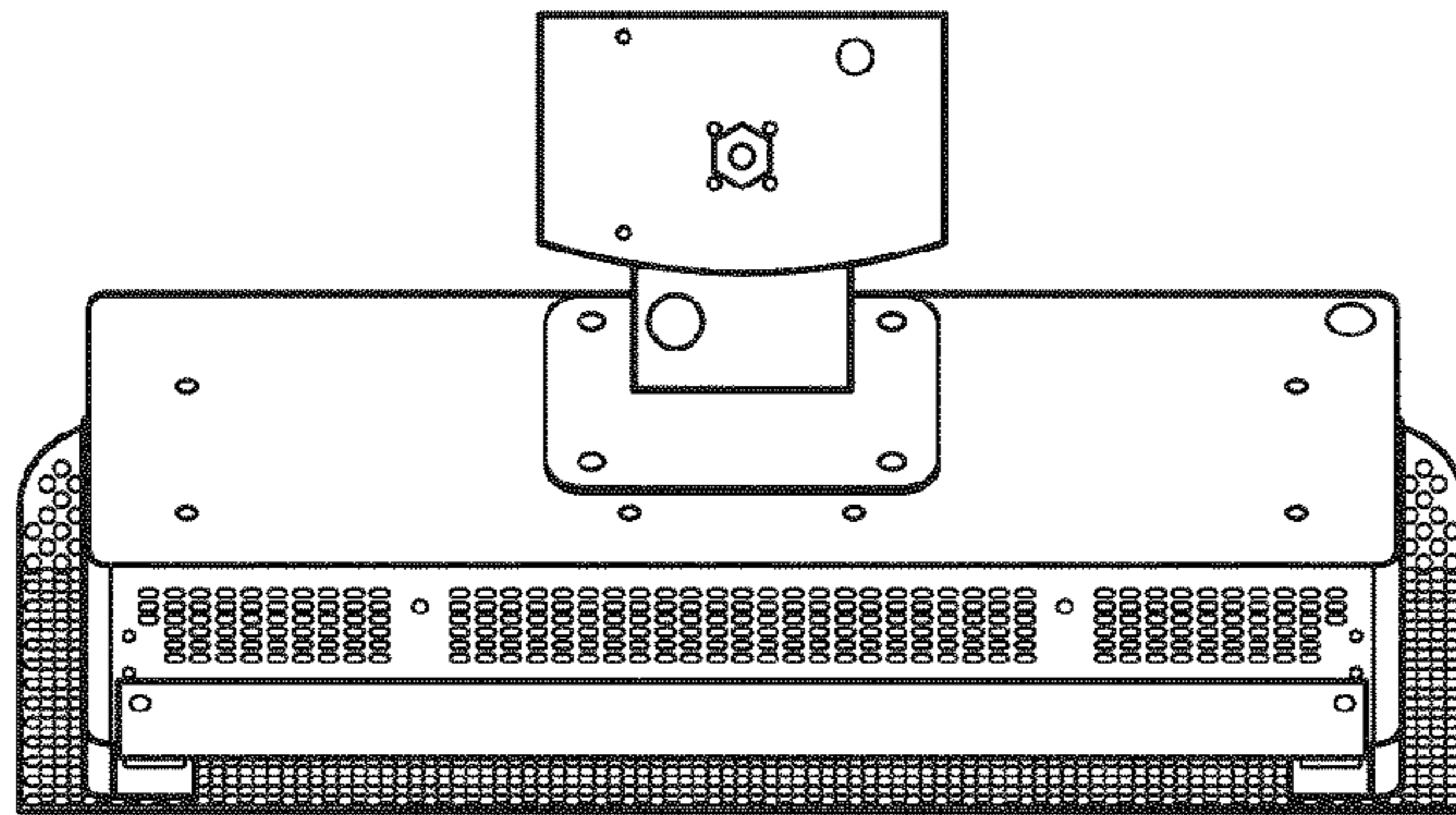


FIG. 13

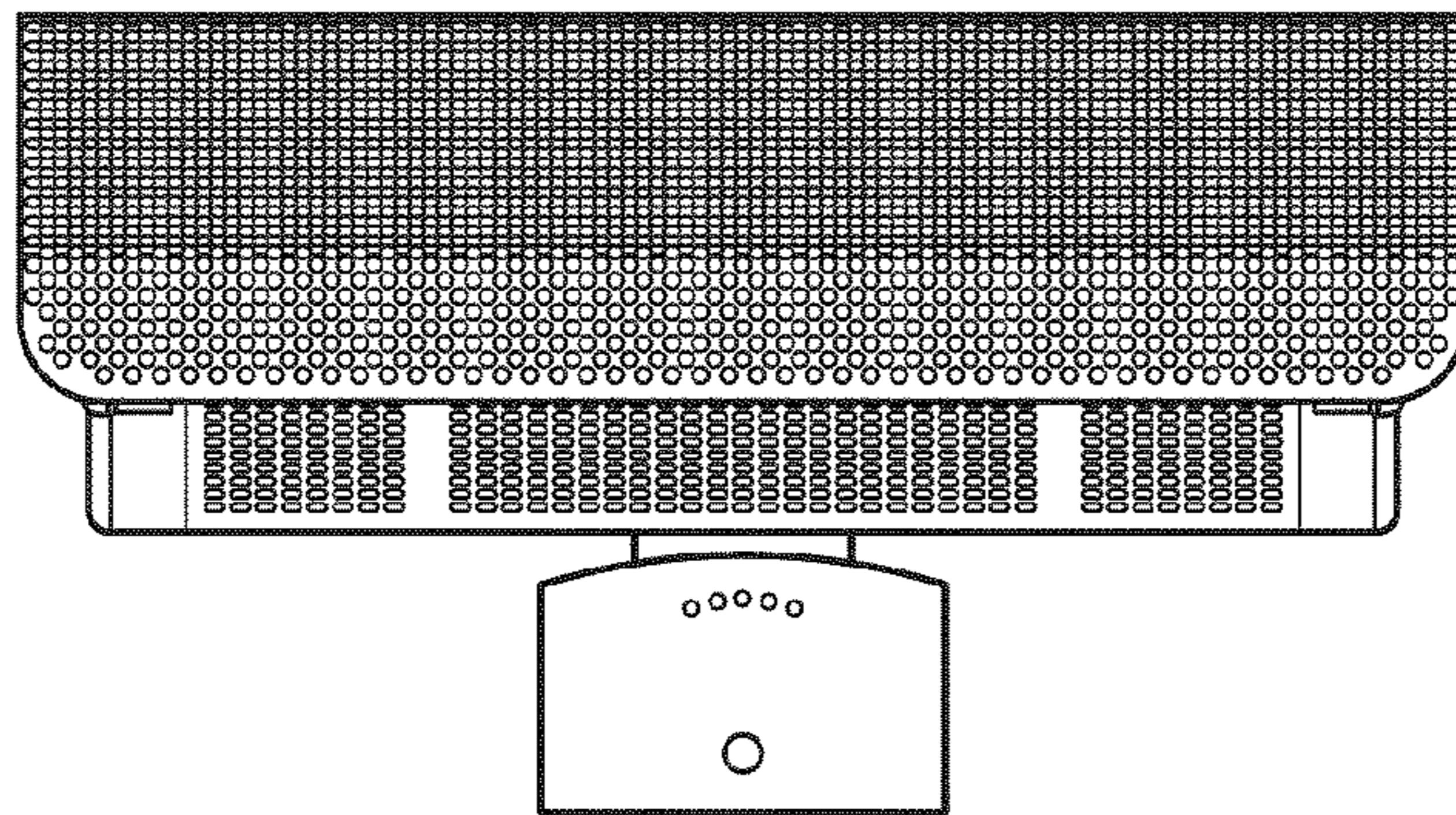


FIG. 14

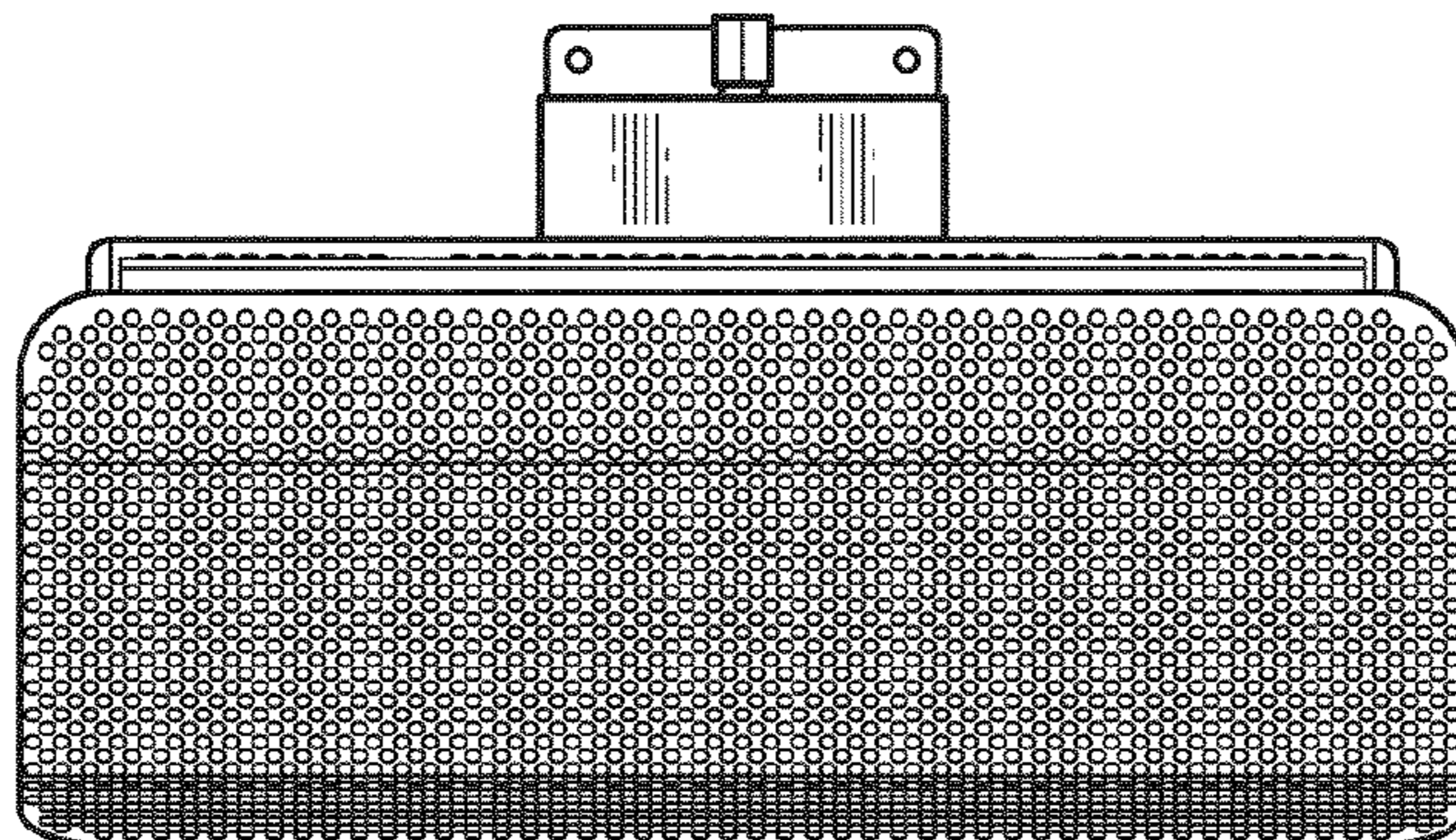


FIG. 15

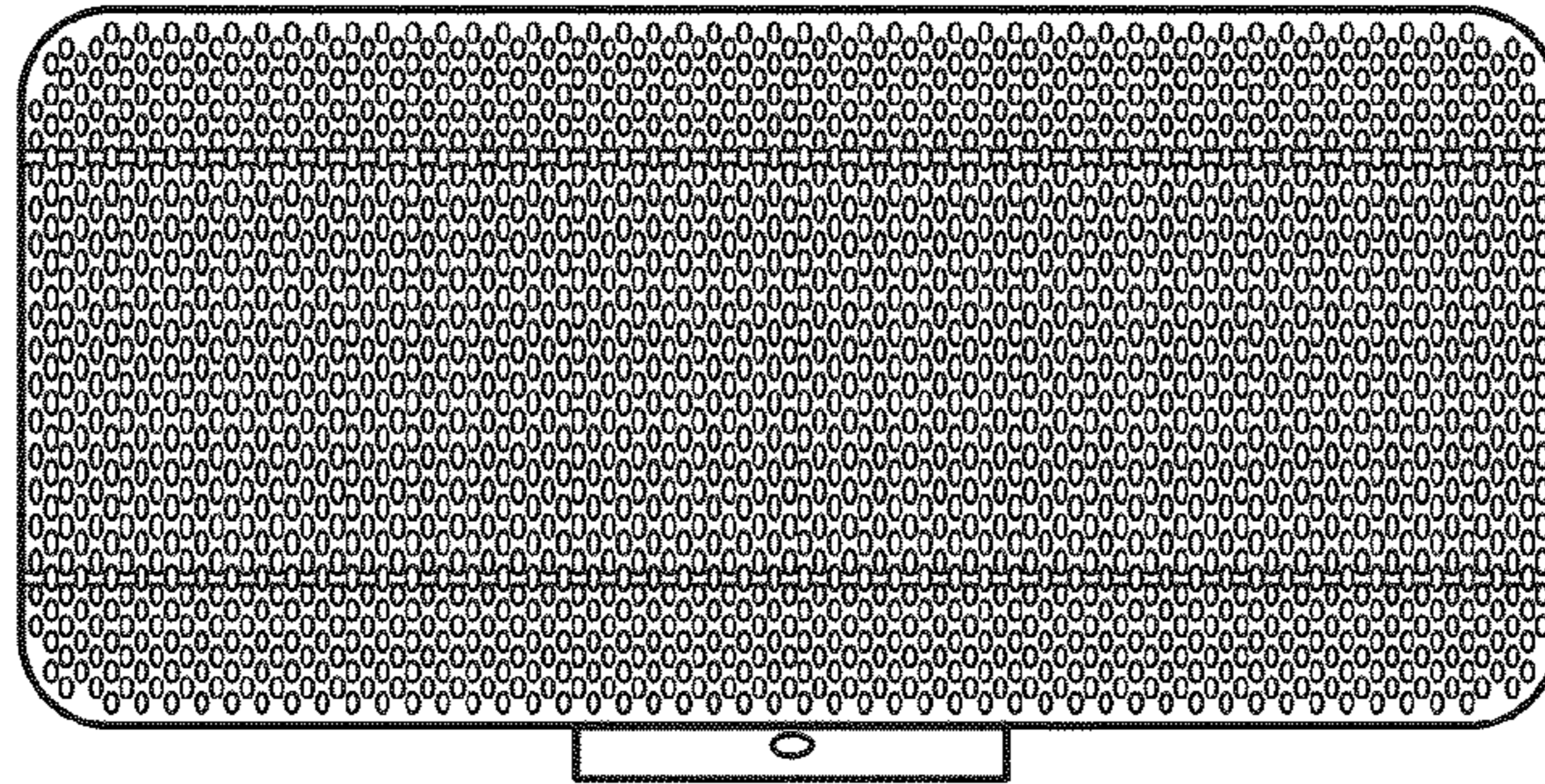


FIG. 16

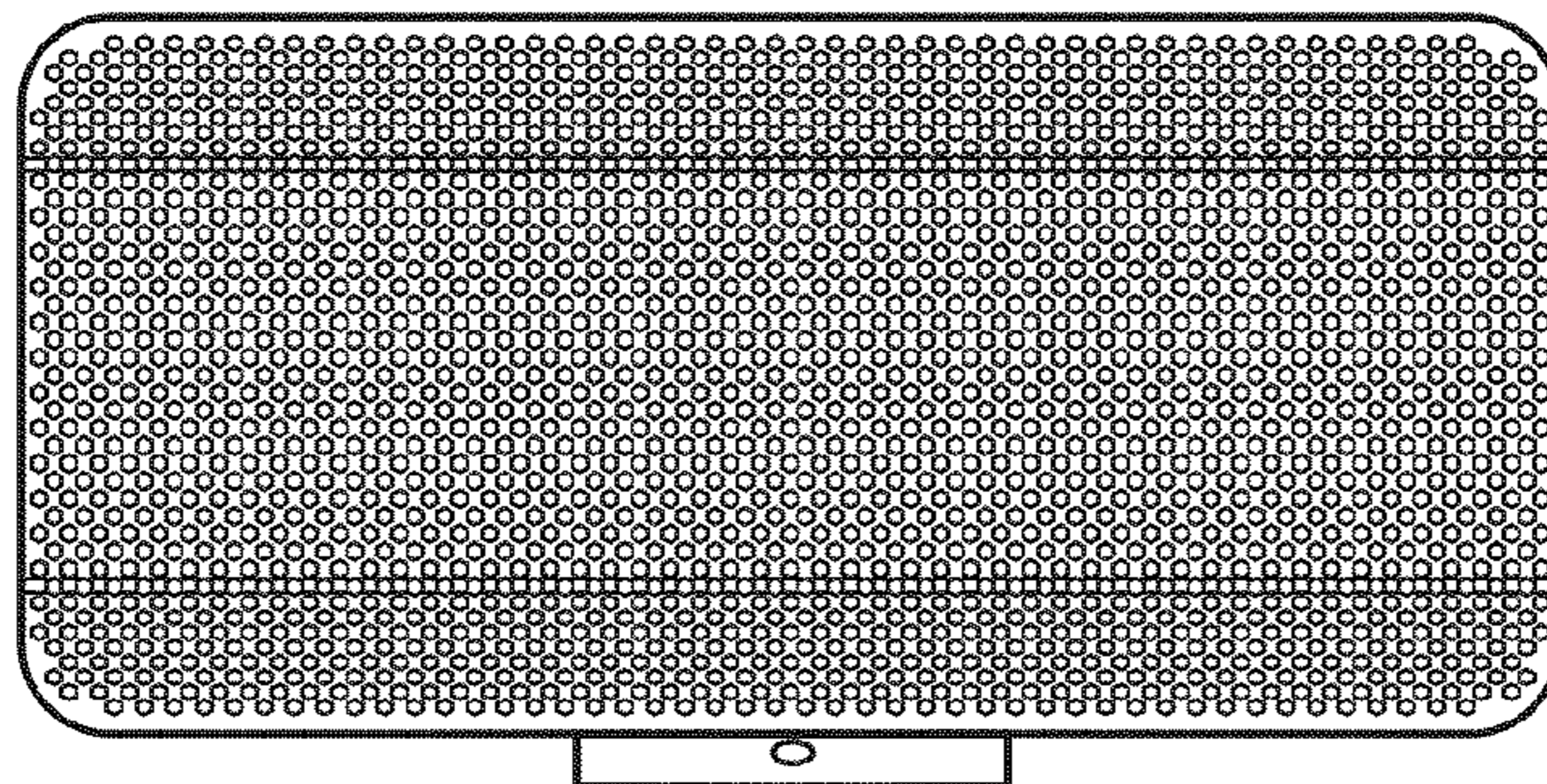


FIG. 17

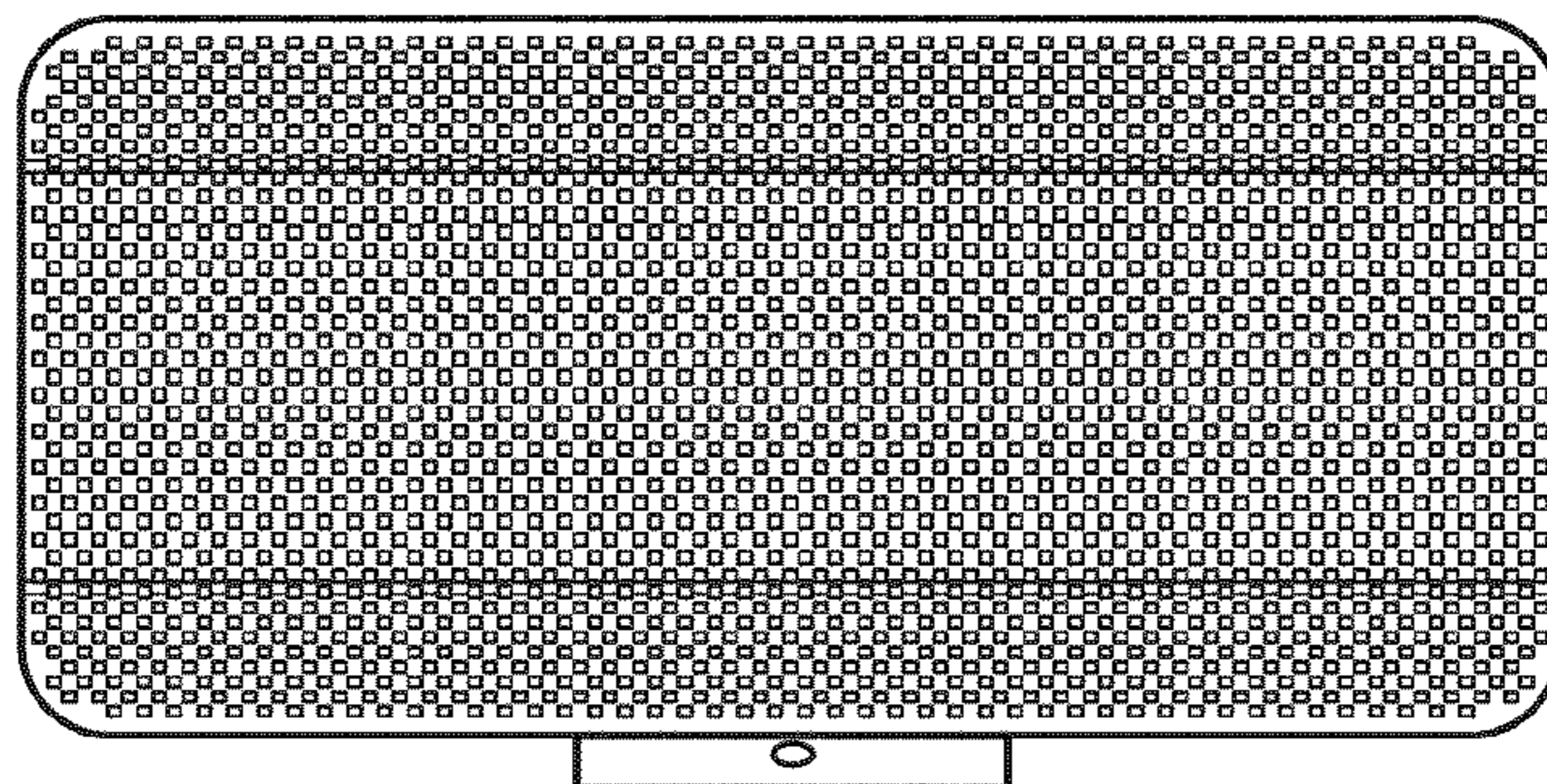


FIG. 18