



US00D652126S

(12) **United States Design Patent**
Smith et al.

(10) **Patent No.:** **US D652,126 S**
(45) **Date of Patent:** **** Jan. 10, 2012**

(54) **RADIANT HEATER**

(75) Inventors: **Scott David Smith**, North Ryde (AU);
Mark Stewart Michalowsky, Vaucluse (AU)

(73) Assignee: **Bromic Heating Pty Limited**, Sydney (AU)

(**) Term: **14 Years**

(21) Appl. No.: **29/399,238**

(22) Filed: **Aug. 10, 2011**

Related U.S. Application Data

(62) Division of application No. 29/356,424, filed on Feb. 25, 2010, now Pat. No. Des. 645,128.

(51) **LOC (9) Cl.** **23-01**

(52) **U.S. Cl.** **D23/342**

(58) **Field of Classification Search** D23/317, D23/314, 332, 333, 334, 335, 337, 342, 351, D23/355, 378, 370, 381, 364, 336, 341, 330; 416/244 R, 247 R, 53.1-53.3; 392/365, 367
See application file for complete search history.

(56) **References Cited**

U.S. PATENT DOCUMENTS

2,495,513	A *	1/1950	Doyle	338/299
D195,878	S	8/1963	Zimmerman		
D225,639	S	12/1972	Smith		
D282,202	S	1/1986	Ellersick		
D379,650	S	6/1997	Smith et al.		

6,334,439	B1	1/2002	Specht et al.
7,013,080	B1	3/2006	Kaplanis et al.
D534,627	S	1/2007	Stokes
D545,420	S	6/2007	Jacobsen
D551,327	S	9/2007	Lamanna
D558,865	S	1/2008	Yoo et al.
D619,231	S	7/2010	Yeung
D627,450	S	11/2010	Hall, Jr. et al.
D627,451	S	11/2010	Hall, Jr. et al.
D627,868	S	11/2010	Hall, Jr. et al.
2004/0026400	A1	2/2004	Ptak
2006/0198084	A1	9/2006	Hall, Jr. et al.
2008/0152329	A1	6/2008	Saunders et al.

* cited by examiner

Primary Examiner — T. Chase Nelson

Assistant Examiner — Ania Aman

(74) *Attorney, Agent, or Firm* — The Maxham Firm

(57) **CLAIM**

The ornamental design for a radiant heater, as shown and described.

DESCRIPTION

FIG. 1 is an isometric view of an embodiment of the radiant heater according to the invention, showing the front glass as curved (left to right) with a straight glass retainer, and with a sail;

FIG. 2 is a left end view of the radiant heater in FIG. 1, the right end view being a mirror image thereof;

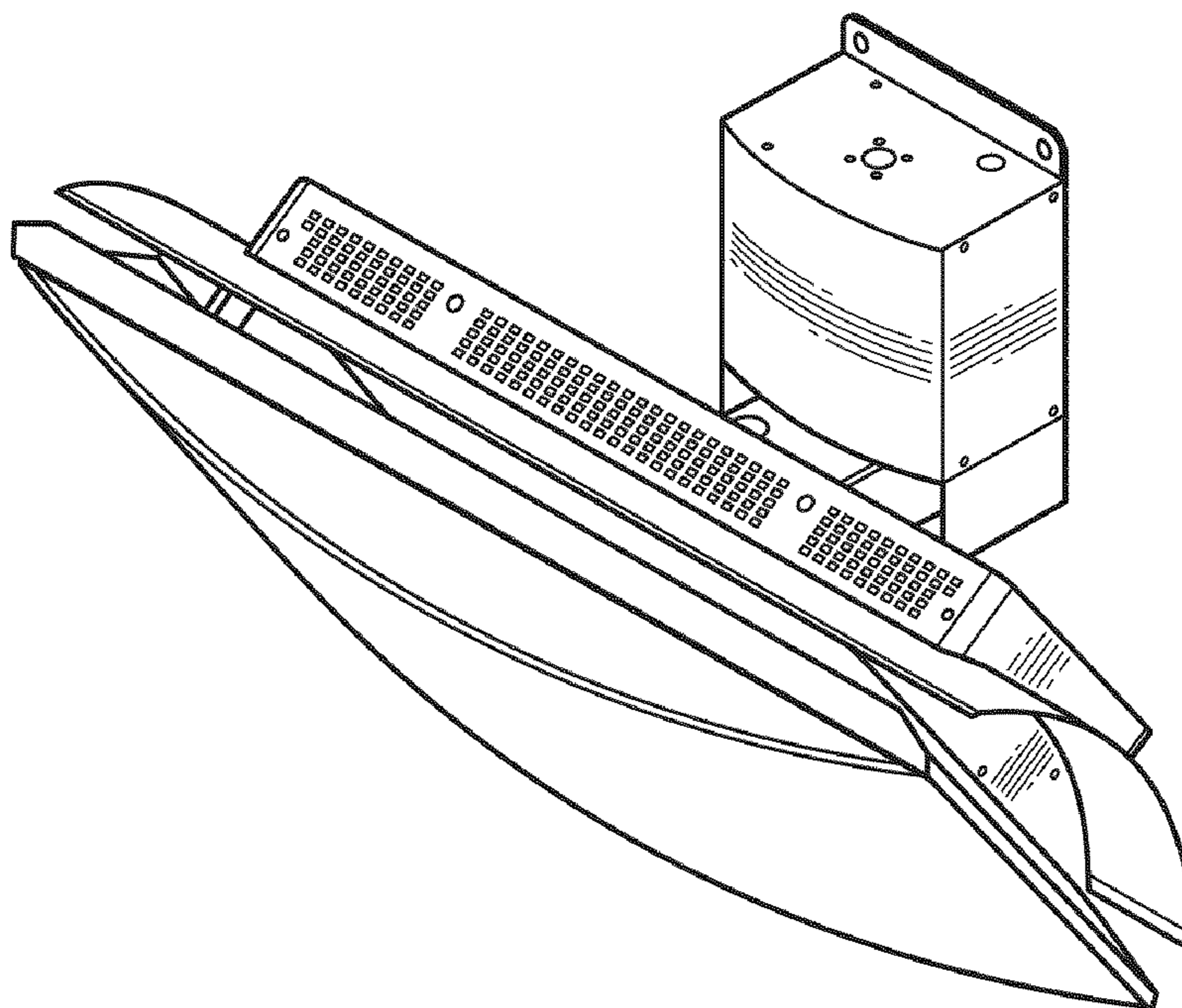
FIG. 3 is a front face view of the heater element of FIG. 1;

FIG. 4 is a top view of the radiant heater of FIG. 1;

FIG. 5 is a bottom view of the radiant heater of FIG. 1; and,

FIG. 6 is a front elevation view of the radiant heater of FIG. 1.

1 Claim, 2 Drawing Sheets



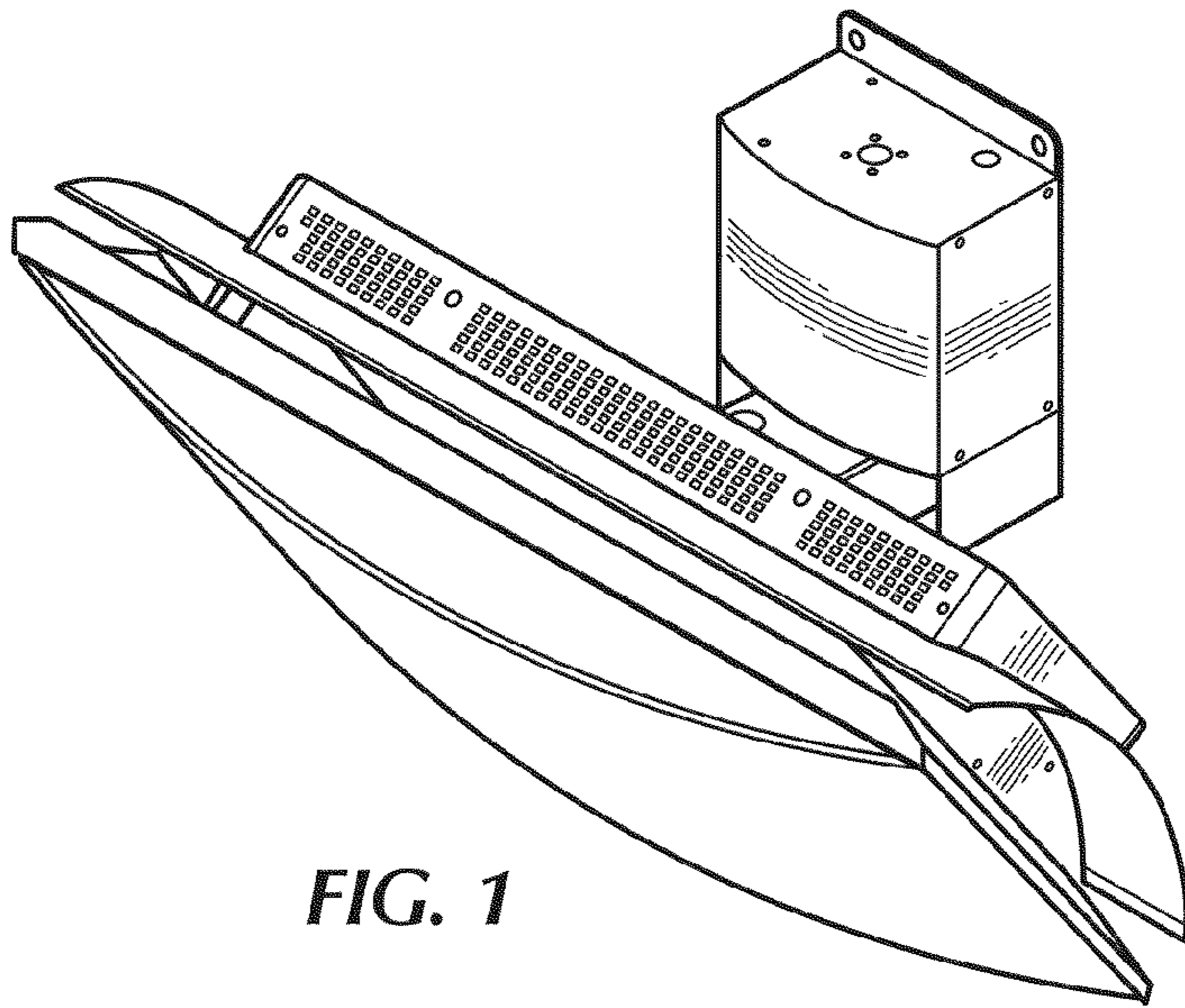


FIG. 1

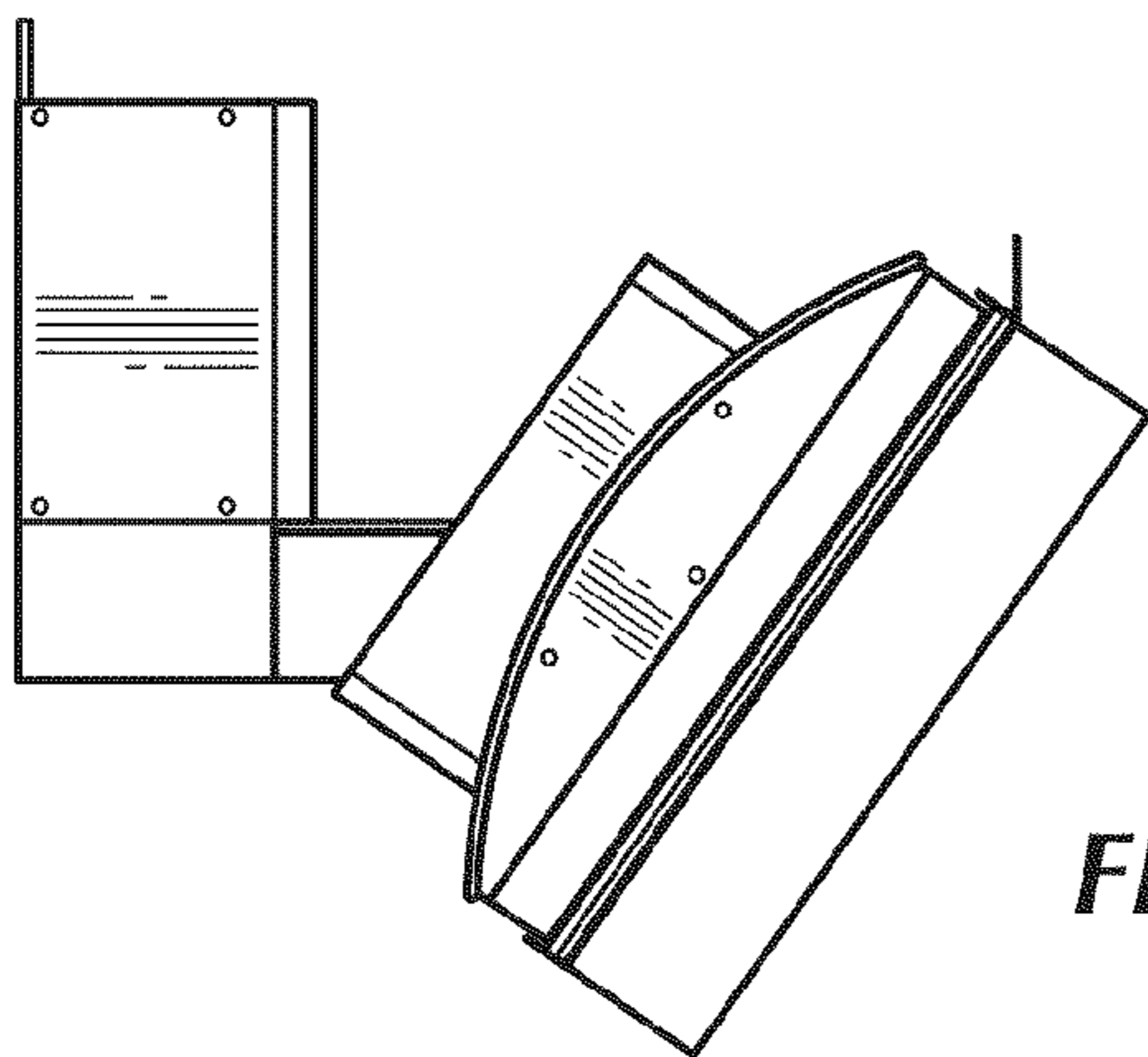


FIG. 2

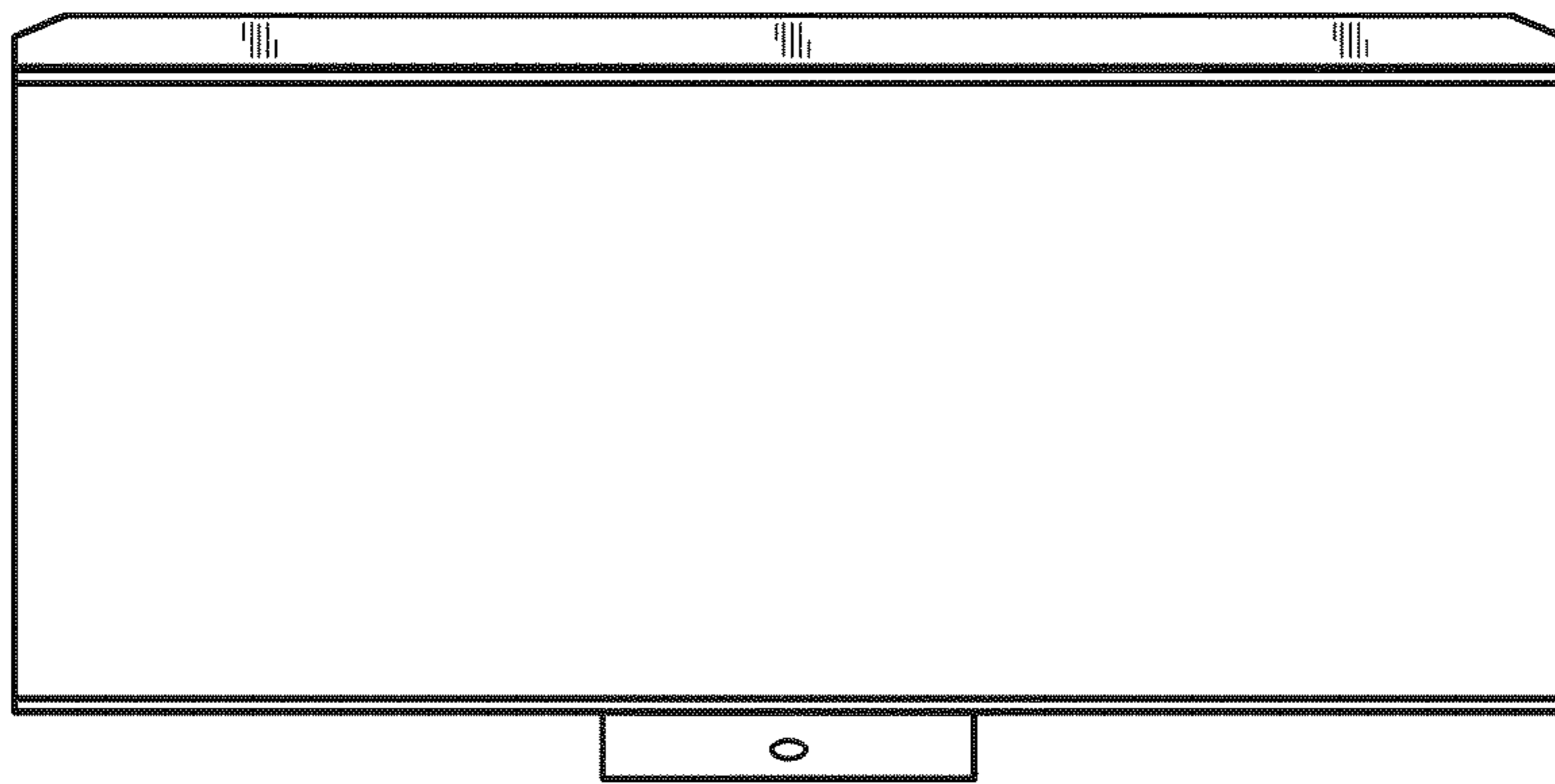


FIG. 3

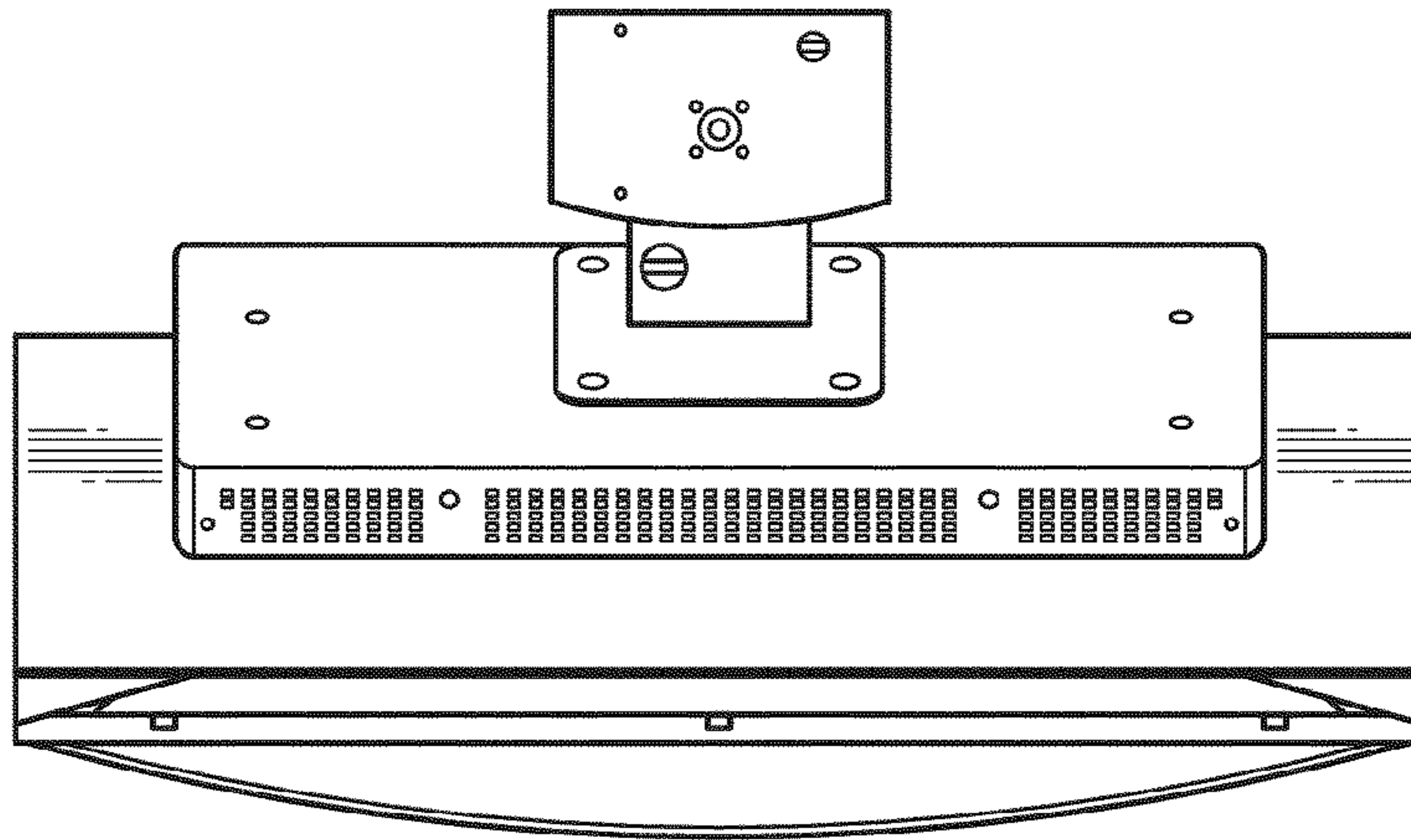


FIG. 4

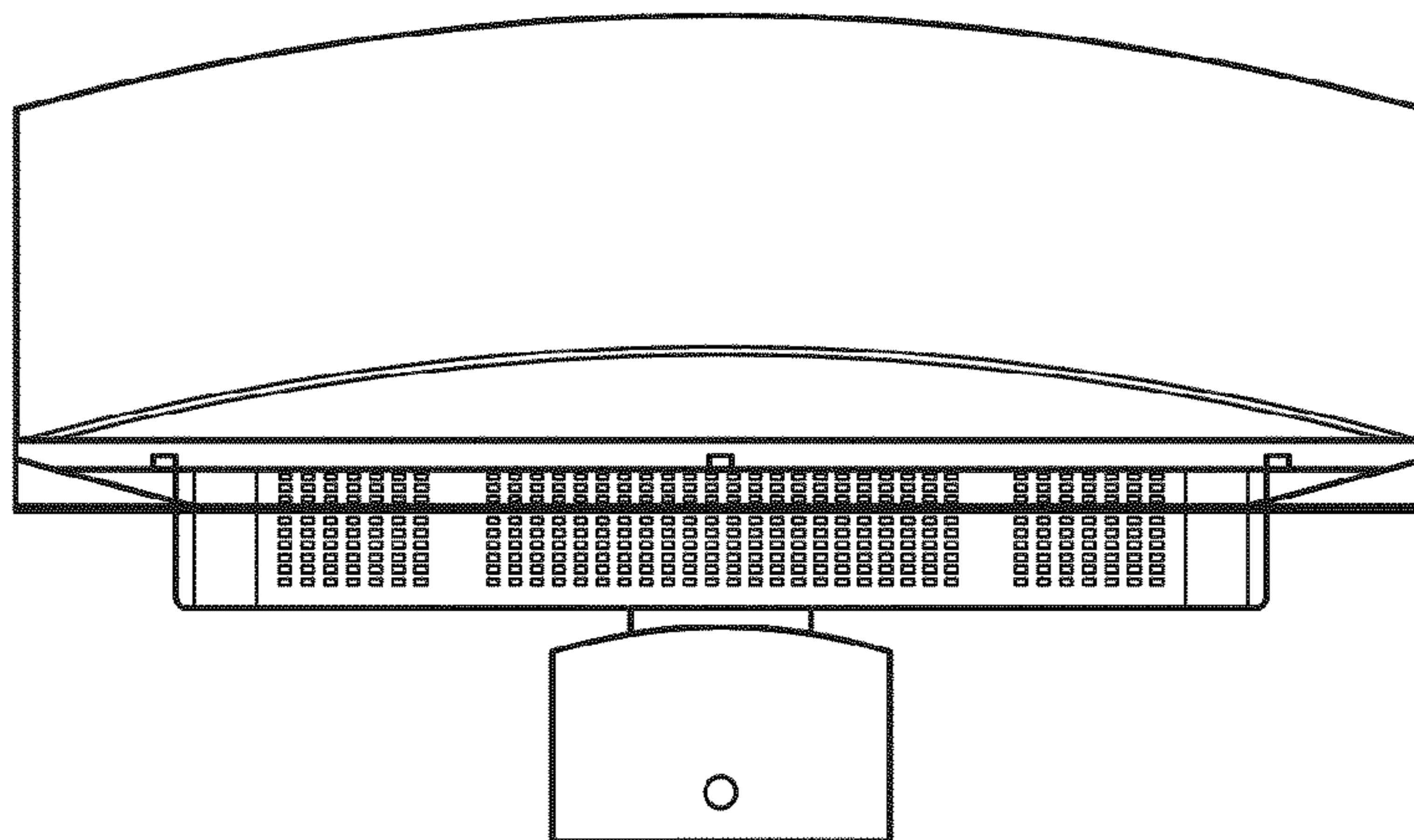


FIG. 5

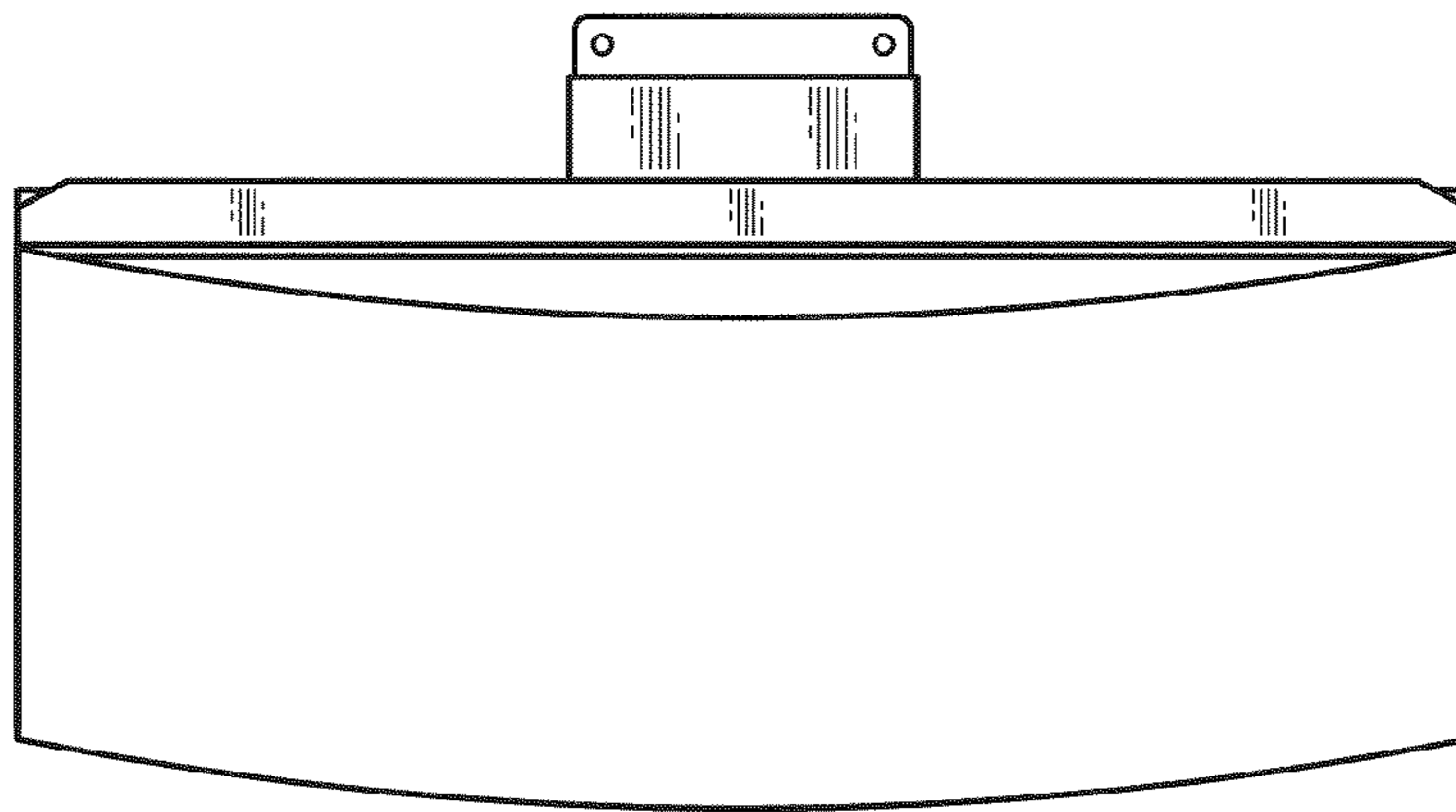


FIG. 6