



US00D652121S

(12) **United States Design Patent**  
**Bonhag et al.**

(10) **Patent No.:** **US D652,121 S**  
(45) **Date of Patent:** **\*\* Jan. 10, 2012**

(54) **BUILDING COMPONENT**

(75) Inventors: **Ehrenfried Bonhag**, Schwabach (DE);  
**Hansi Homburg**, Hochstadt a d Aisch  
(DE)

(73) Assignee: **Rehau AG + Co.**, Rehau (DE)

(\*\*) Term: **14 Years**

(21) Appl. No.: **29/378,508**

(22) Filed: **Nov. 5, 2010**

**Related U.S. Application Data**

(62) Division of application No. 29/314,410, filed on Aug. 5, 2009, now abandoned.

(51) **LOC (9) Cl.** ..... **23-01**

(52) **U.S. Cl.** ..... **D23/263**

(58) **Field of Classification Search** ..... D23/259–263;  
D8/387, 397; 4/286–287; 114/197; 138/89,  
138/91, 158; 217/110; 220/288; 222/552,  
222/554, 546, 563; 285/139.1, 148.18, 148.23,  
285/242, 251, 256, 353, 423, 921; 174/665,  
174/68.1, 68.3; 52/220.7

See application file for complete search history.

(56) **References Cited**

**U.S. PATENT DOCUMENTS**

D163,487 S *	5/1951	Schustack	.....	D23/263
D254,505 S *	3/1980	Parsons et al.	.....	D23/262
5,076,095 A *	12/1991	Erhardt	.....	73/49.8
D368,304 S *	3/1996	Morrison	.....	D23/262
D389,562 S *	1/1998	Picton	.....	D23/263
D407,802 S *	4/1999	Hatfield et al.	.....	D23/262
D453,815 S *	2/2002	Hoening	.....	D23/259
D454,940 S *	3/2002	Hoening	.....	D23/259

D475,780 S *	6/2003	Stout, Jr.	.....	D23/393
D480,786 S *	10/2003	Wilk et al.	.....	D23/263
D481,109 S *	10/2003	Dole et al.	.....	D23/263
D481,110 S *	10/2003	Snyder et al.	.....	D23/263
D482,103 S *	11/2003	Snyder et al.	.....	D23/263
D517,176 S *	3/2006	Wilk et al.	.....	D23/262
D518,559 S *	4/2006	Ostergaard et al.	.....	D23/262
D527,091 S *	8/2006	Stout, Jr.	.....	D23/393
7,281,411 B2 *	10/2007	Brewer	.....	73/49.1
D582,457 S *	12/2008	Davies et al.	.....	D15/199
D614,737 S *	4/2010	Lass	.....	D23/262
D615,631 S *	5/2010	Price et al.	.....	D23/263
D627,863 S *	11/2010	Ball	.....	D23/262

\* cited by examiner

*Primary Examiner* — Celia A. Murphy

*Assistant Examiner* — John Windmuller

(74) *Attorney, Agent, or Firm* — MOETTELI & Associés  
SàRL

(57) **CLAIM**

The ornamental design for a building component, as shown and described.

**DESCRIPTION**

FIG. 1 is a plan view of a building component showing our new design.

FIG. 2 is a bottom view of the building component showing our new design.

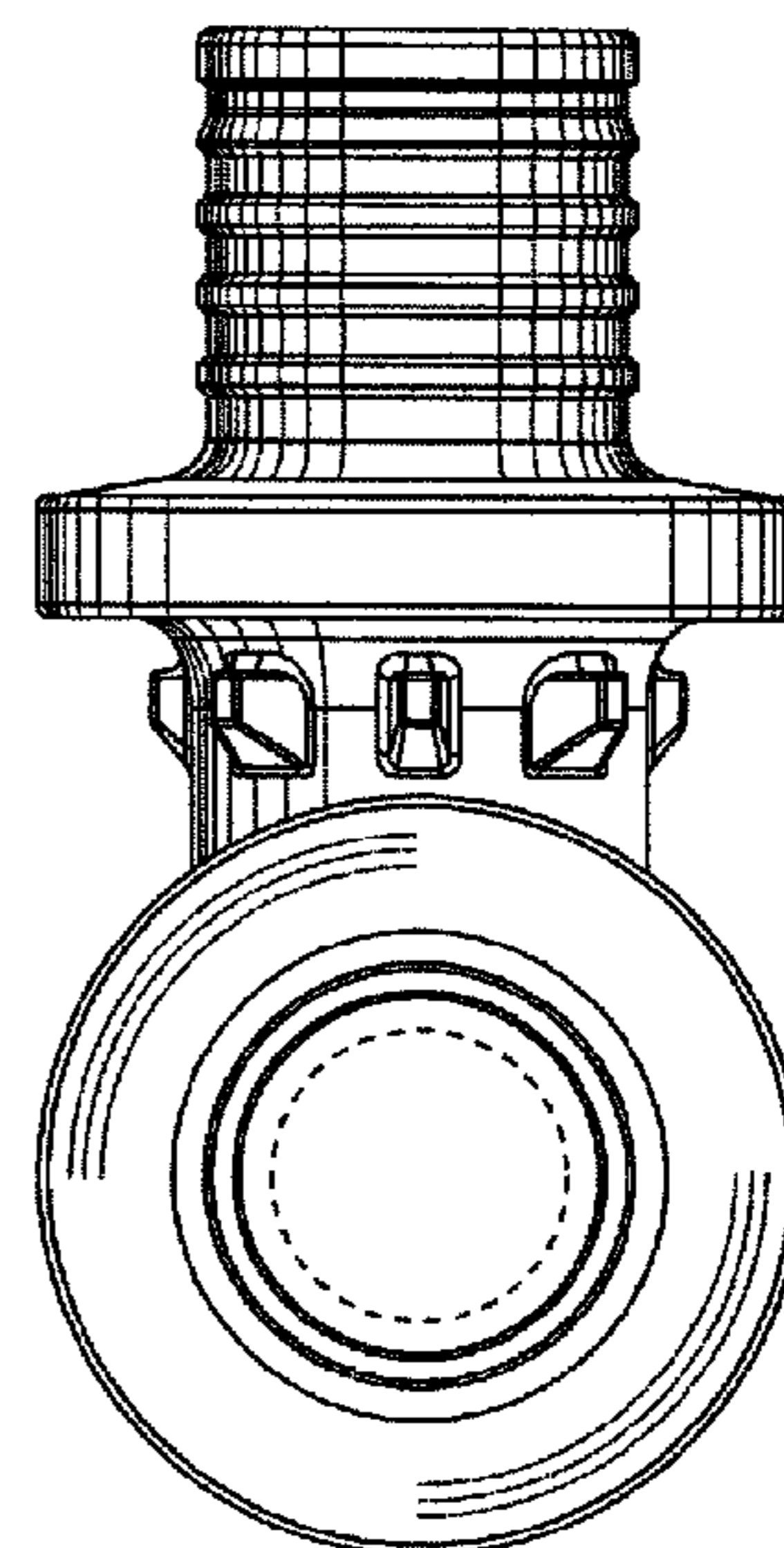
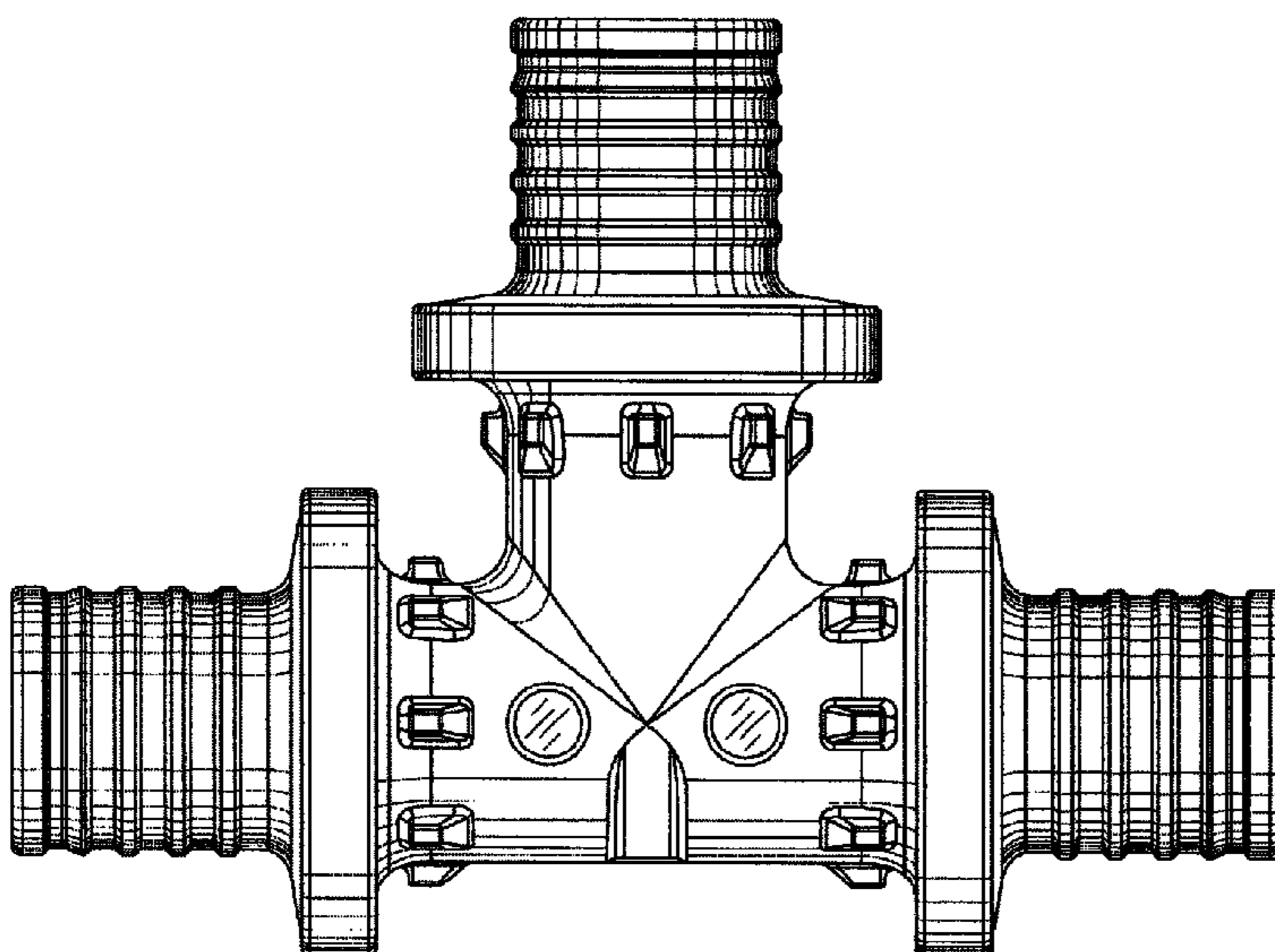
FIG. 3 is a right side view of the building component showing our new design.

FIG. 4 is a top view of the building component showing our new design; and,

FIG. 5 is a rear view of the building component showing our new design.

In FIG. 4, the broken lines indicate an interior portion of the component that forms no part of the claimed design.

**1 Claim, 5 Drawing Sheets**



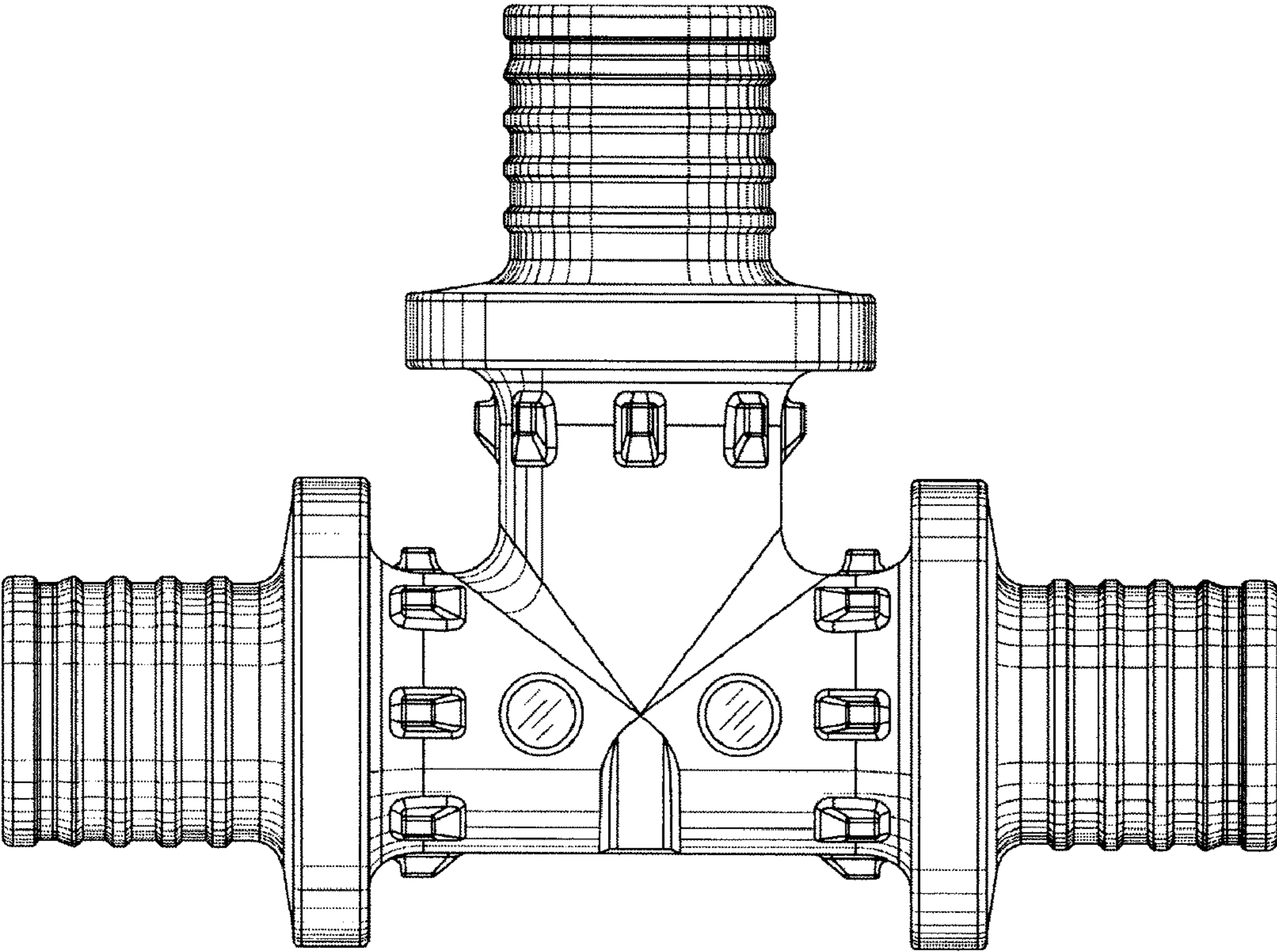


FIG. 1

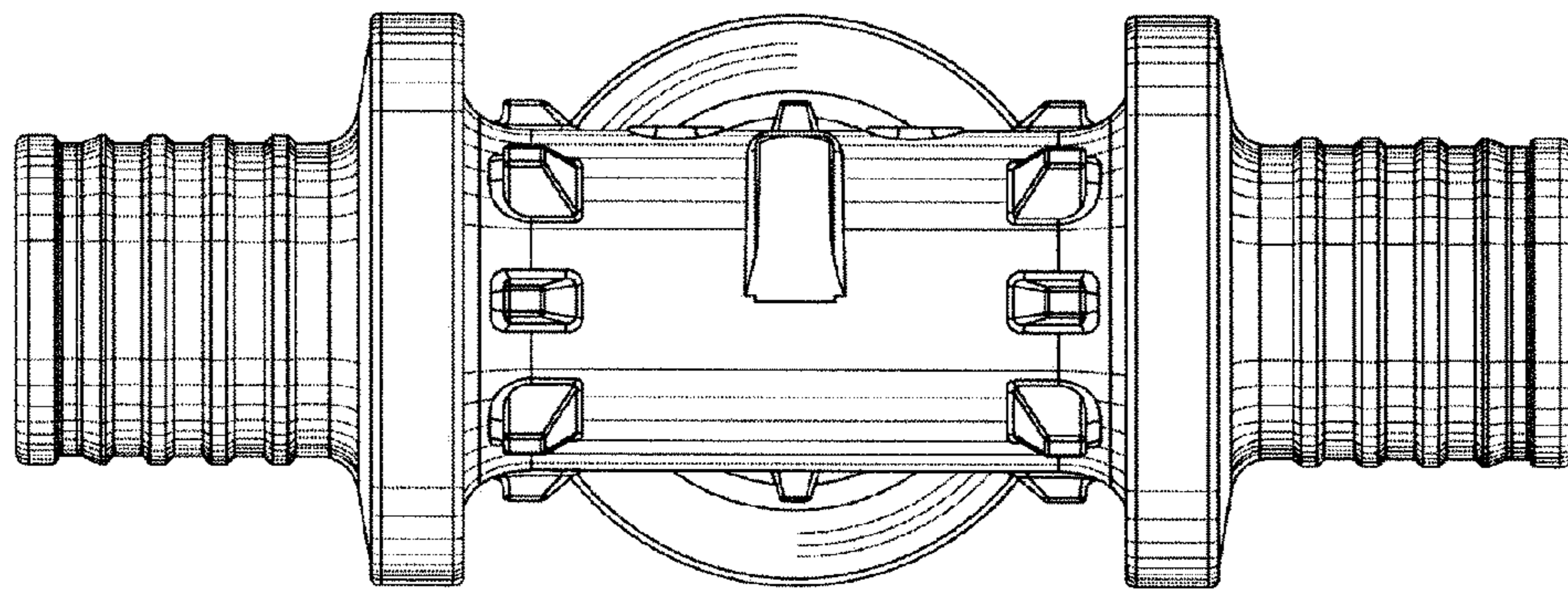


FIG. 2

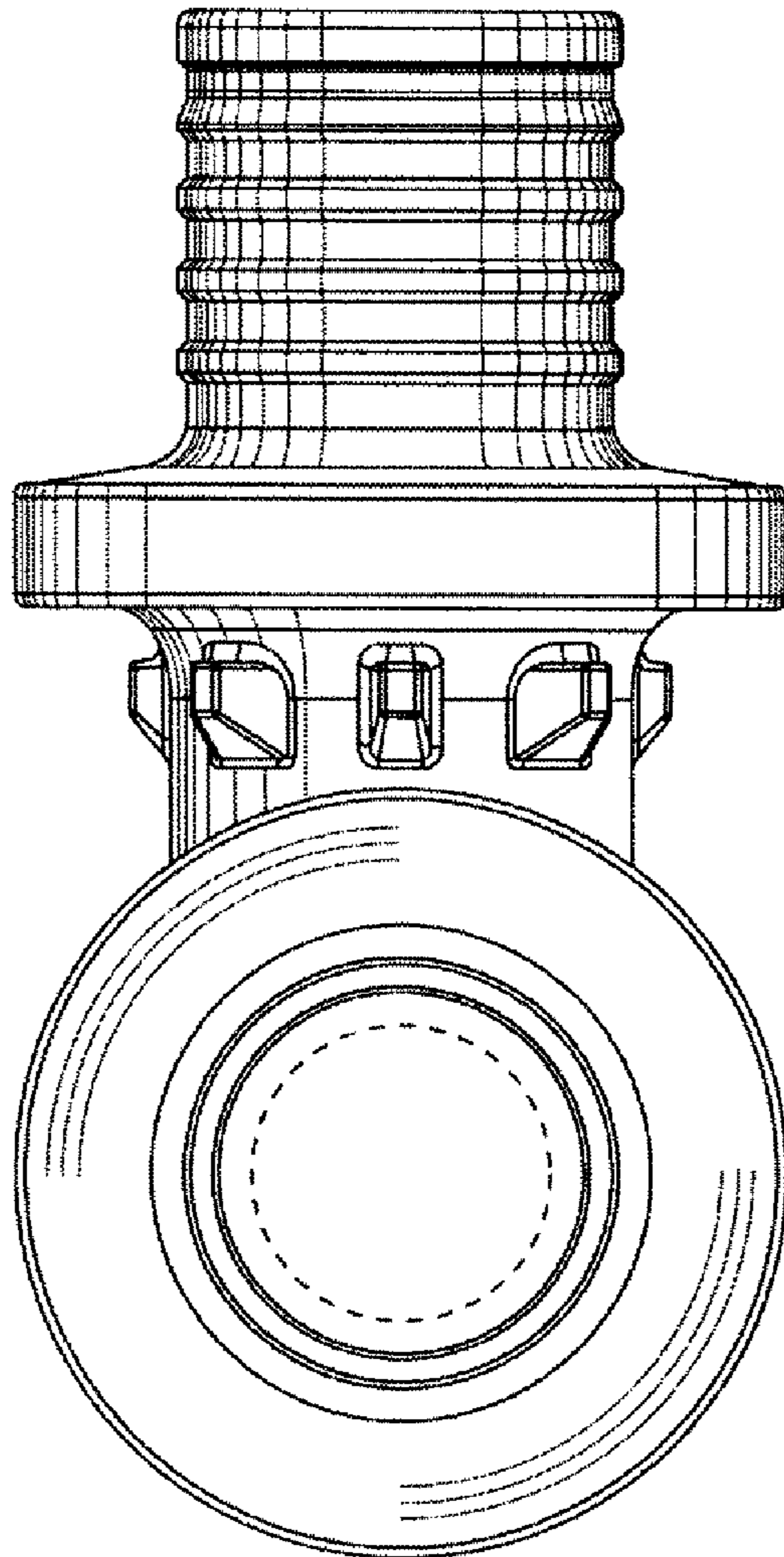


FIG. 3

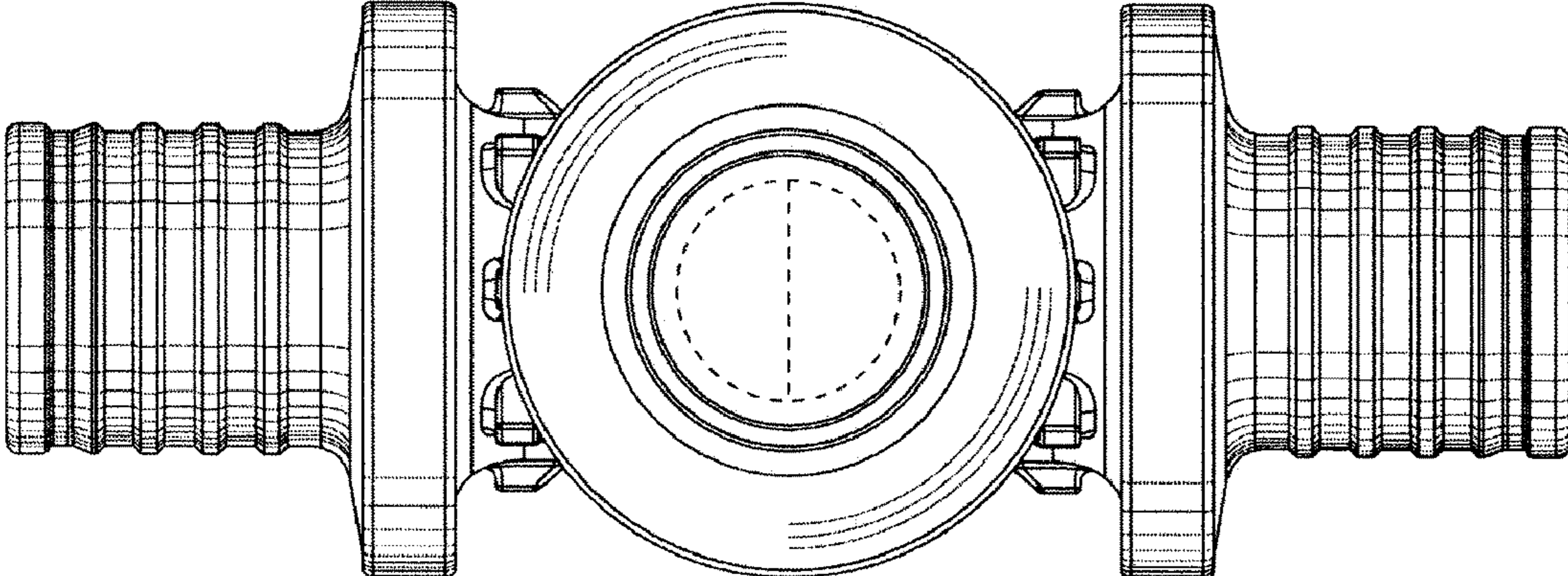


FIG. 4

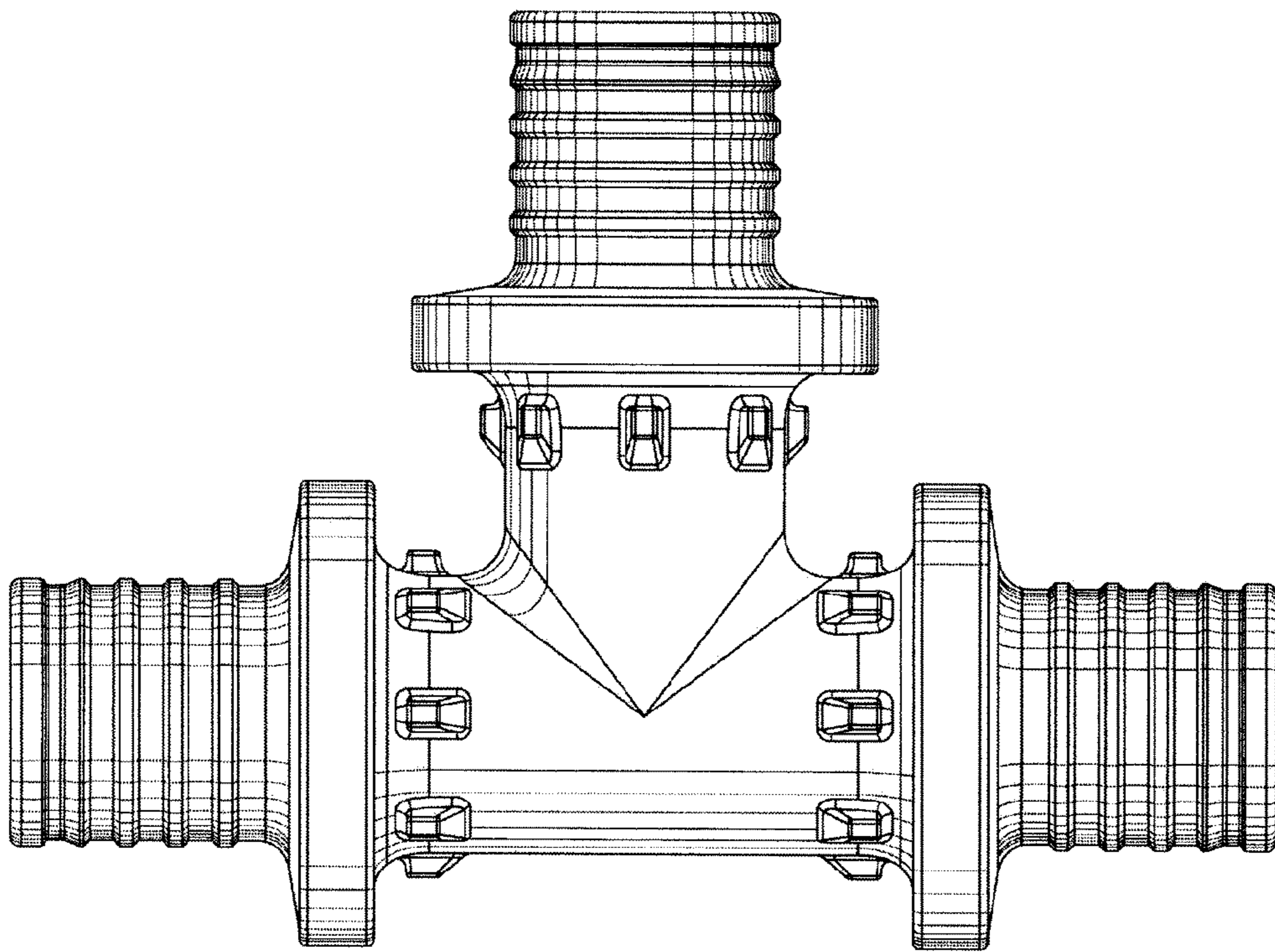


FIG. 5