



US00D652120S

(12) **United States Design Patent**
Widenmann et al.

(10) **Patent No.:** **US D652,120 S**
(45) **Date of Patent:** **** Jan. 10, 2012**

(54) **DIVIDER MANIFOLD**

(75) Inventors: **Jochen Widenmann**, Ulm (DE);
Johann Ambrosi, Herbrechtingen (DE);
Frank Altmannsberger, Giengen (DE)

(73) Assignee: **Max Widenmann KG**
Armaturenfabrik, Giengen (DE)

(**) Term: **14 Years**

(21) Appl. No.: **29/353,729**

(22) Filed: **Jan. 13, 2010**

(51) **LOC (9) Cl.** **23-01**

(52) **U.S. Cl.** **D23/263**

(58) **Field of Classification Search** D23/213,
D23/259; 239/565, 566, 550, 547
See application file for complete search history.

(56) **References Cited**

U.S. PATENT DOCUMENTS

D301,732 S *	6/1989	Malagrida	D23/263
D341,412 S *	11/1993	Werner et al.	D23/259
D352,770 S *	11/1994	Lopez	D23/259
D354,799 S *	1/1995	Self	D23/259
6,315,219 B1 *	11/2001	Palestrant	239/550
D453,953 S *	2/2002	Pearl	D23/213
D488,543 S *	4/2004	Fulcher et al.	D23/259

D503,772 S *	4/2005	Mody et al.	D23/213
D583,437 S *	12/2008	Fulcher et al.	D23/213
2005/0211802 A1 *	9/2005	Newton	239/548

* cited by examiner

Primary Examiner — T. Chase Nelson

Assistant Examiner — Eric Goodman

(74) *Attorney, Agent, or Firm* — Wood, Herron & Evans, LLP

(57) **CLAIM**

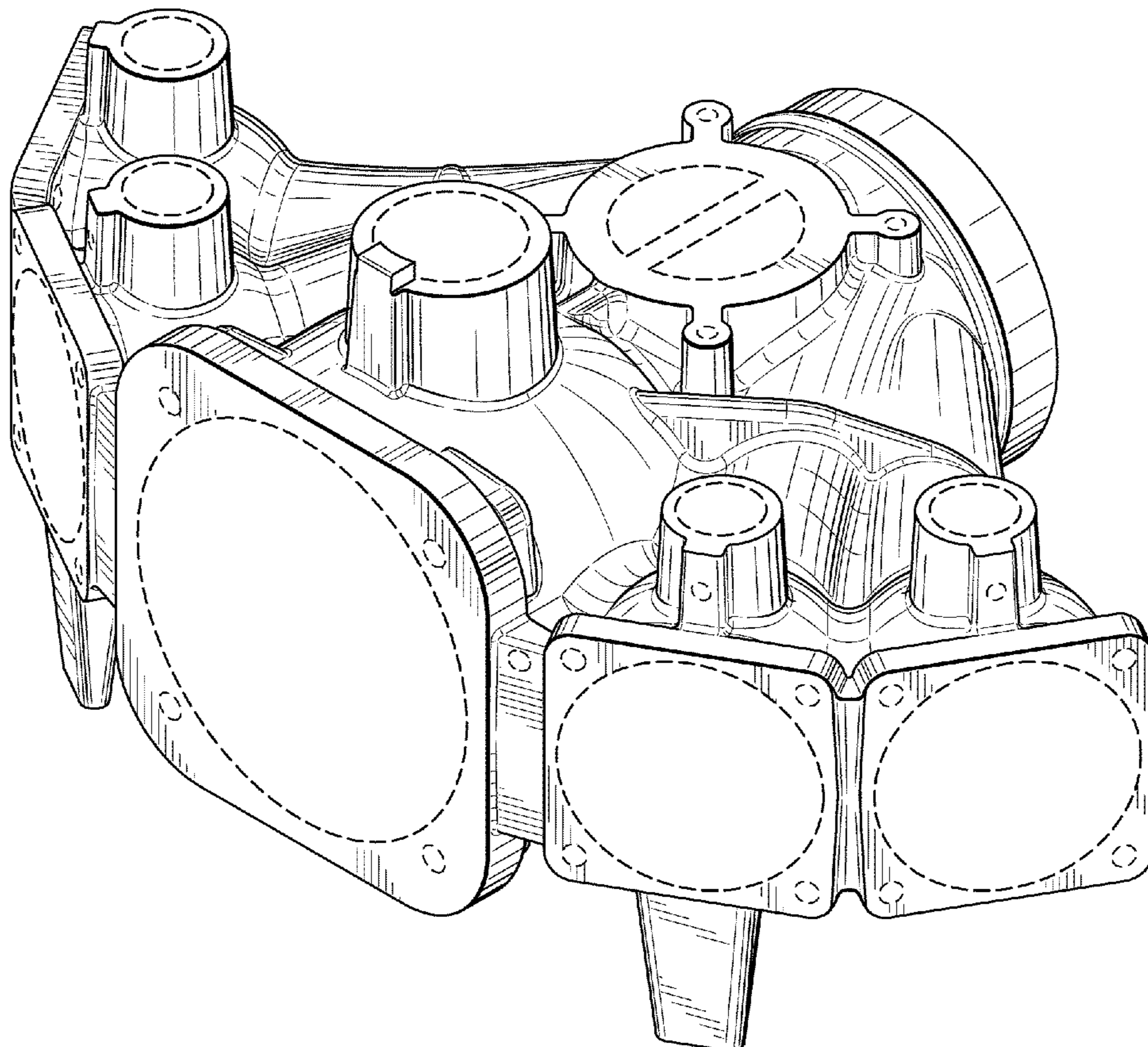
The ornamental design for a divider manifold, as shown and described.

DESCRIPTION

FIG. 1 is a perspective view of our new, original and ornamental design for a divider manifold;
FIG. 2 is a front view thereof;
FIG. 3 is a left side view thereof;
FIG. 4 is a right side view thereof;
FIG. 5 is a rear view thereof;
FIG. 6 is a top view thereof; and,
FIG. 7 is a bottom view thereof.

The broken line showing of the divider manifold is for illustrative purposes and forms no part of the claimed design. The undisclosed portion of the divider manifold forms no part of the claimed design.

1 Claim, 6 Drawing Sheets



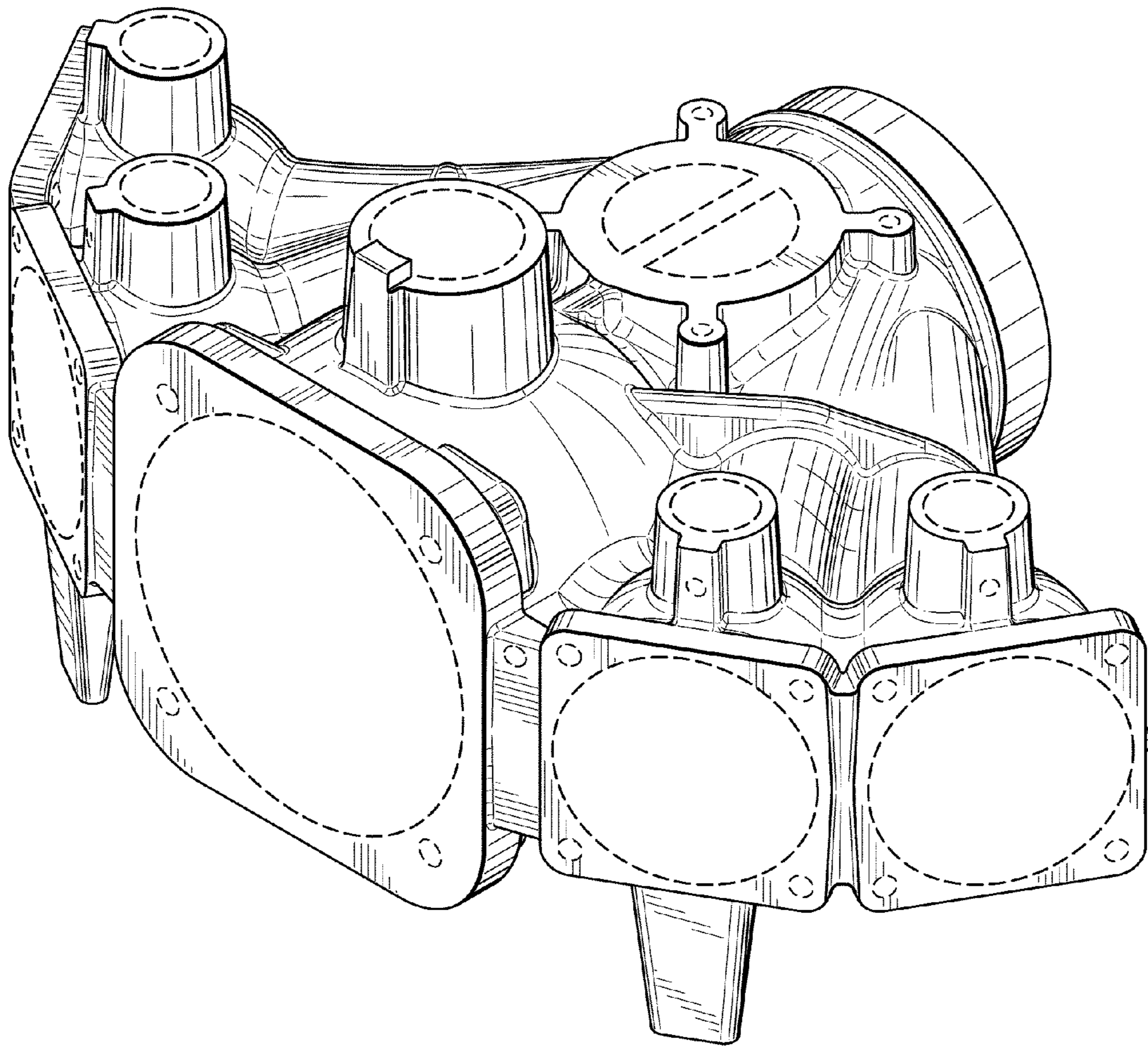


FIG. 1

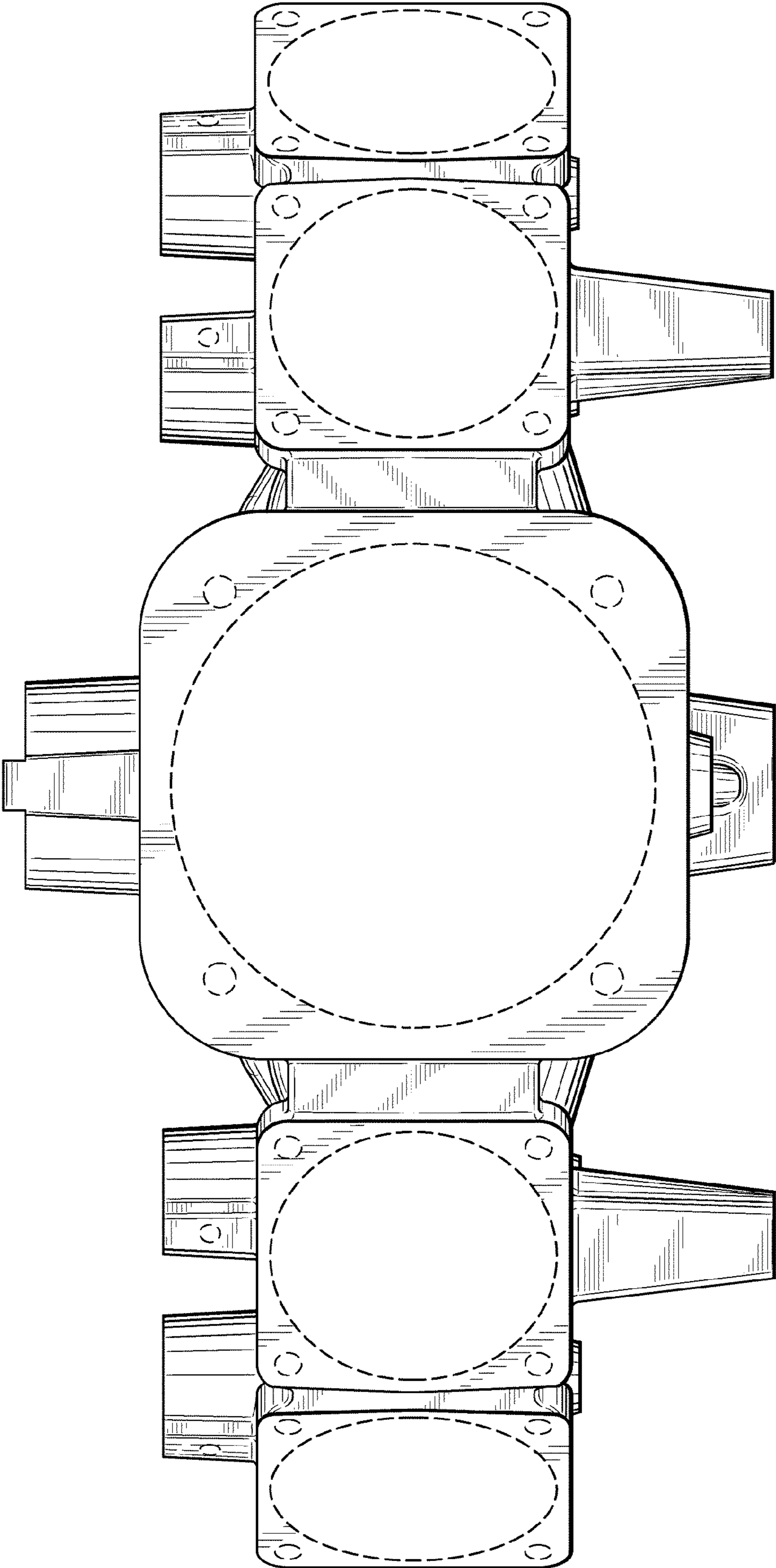


FIG. 2

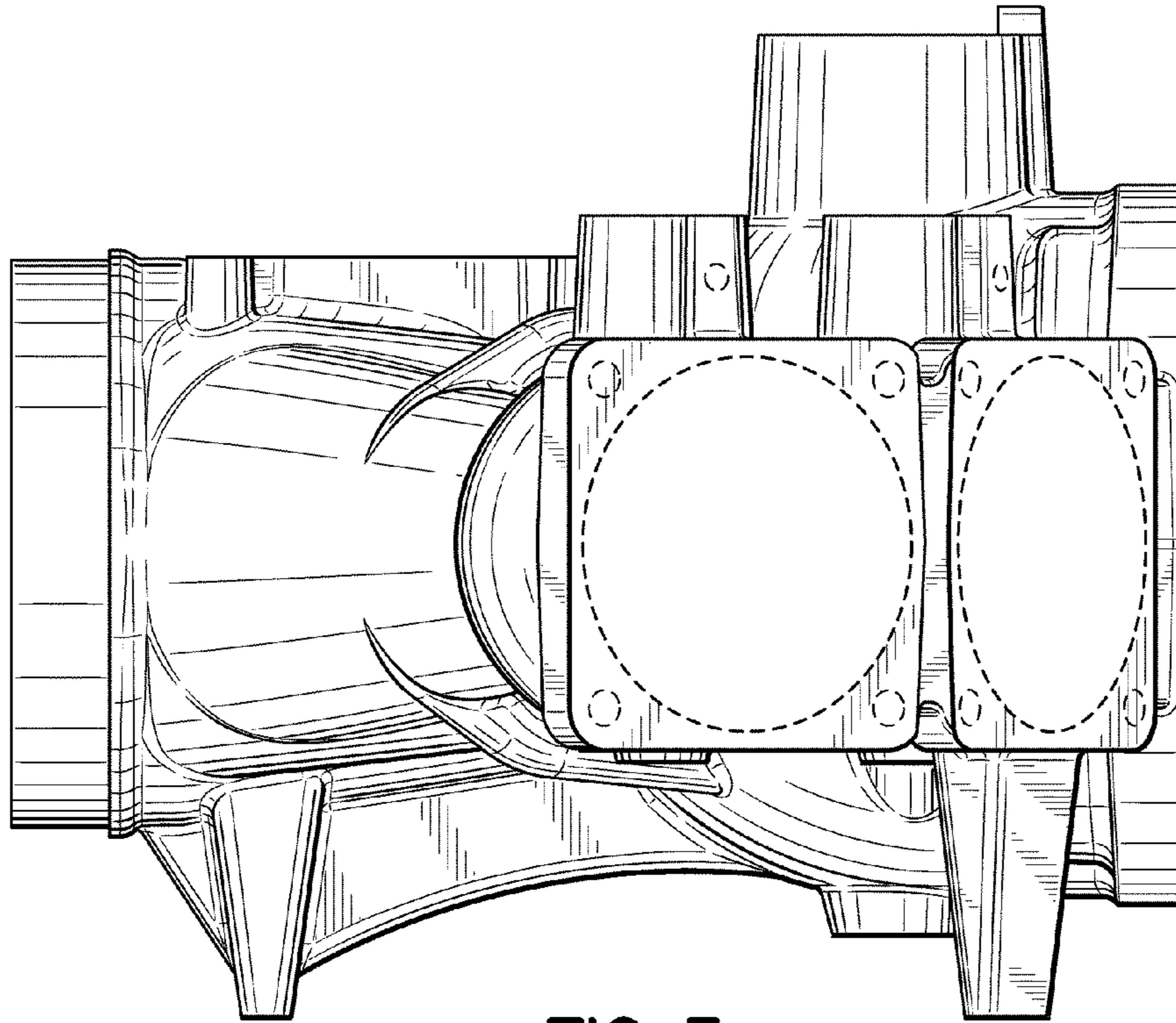


FIG. 3

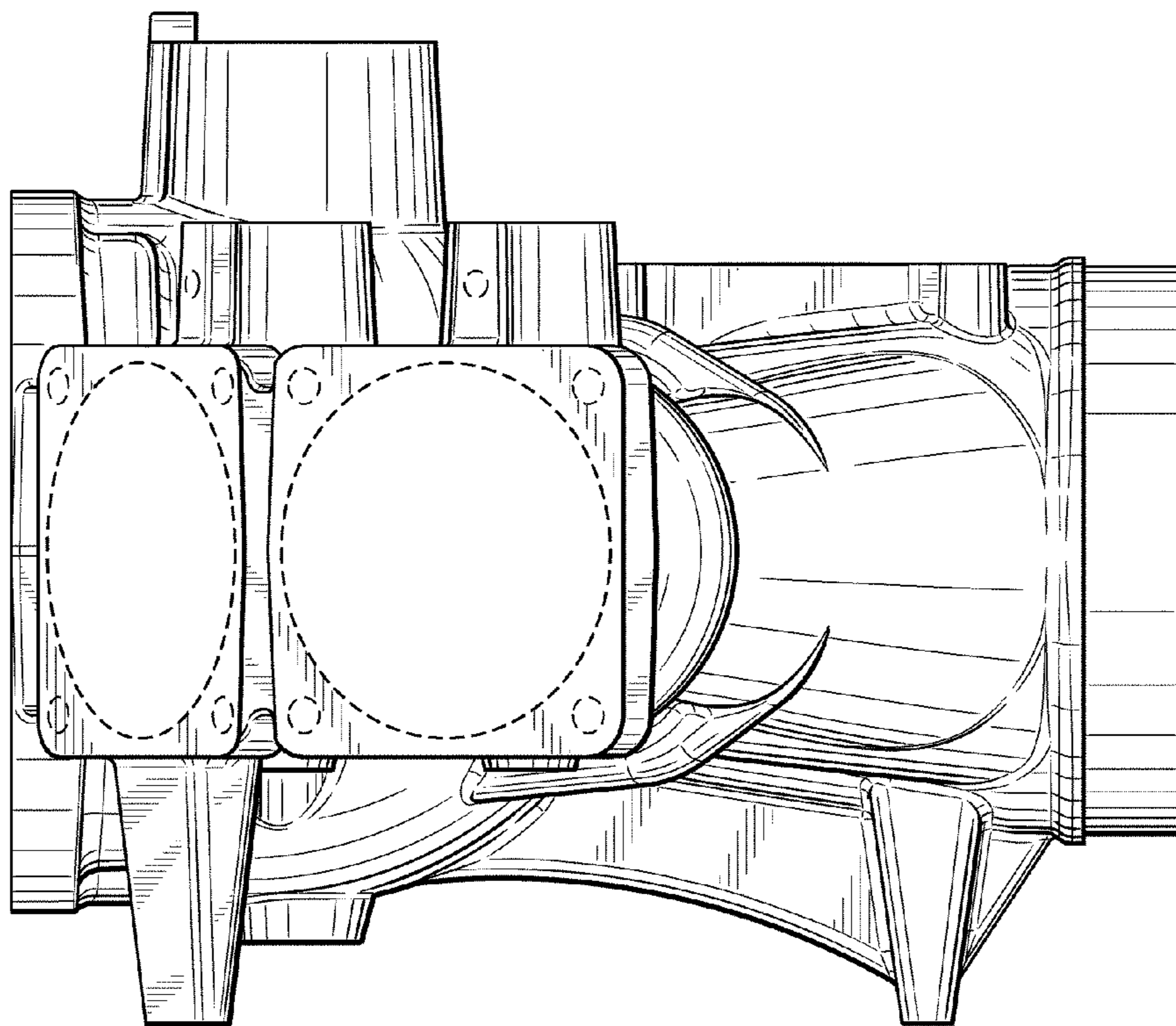


FIG. 4

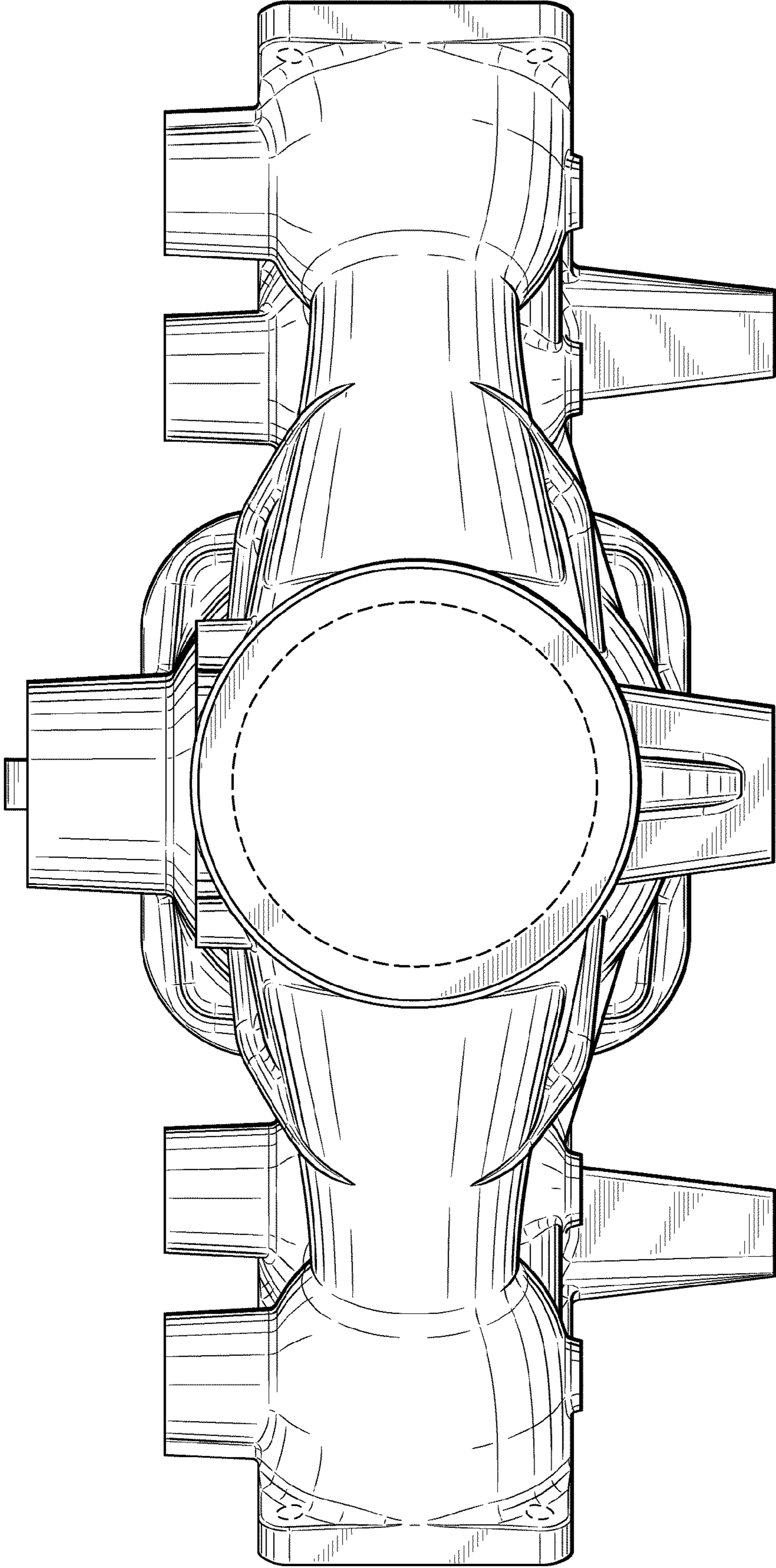


FIG. 5

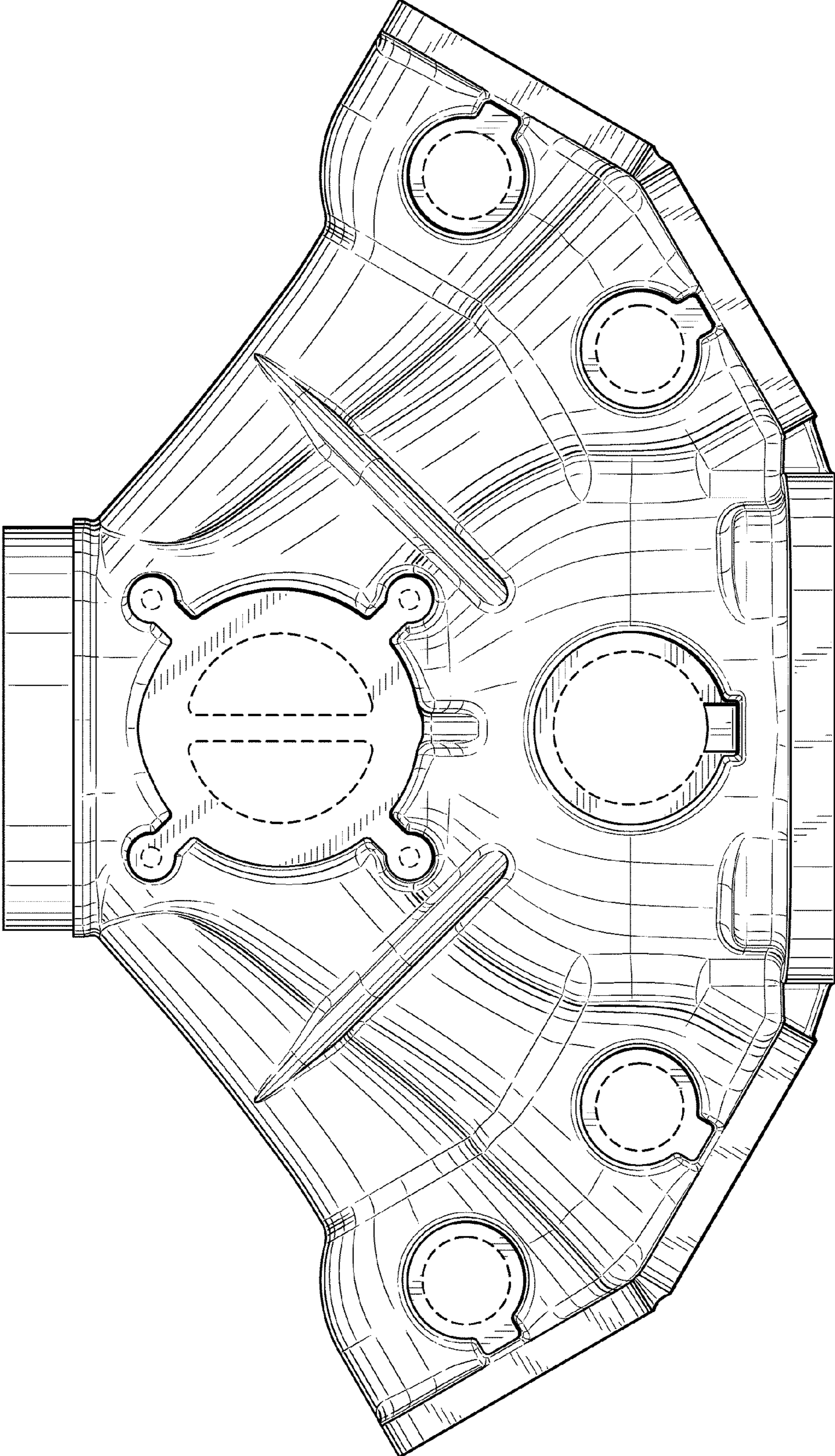


FIG. 6

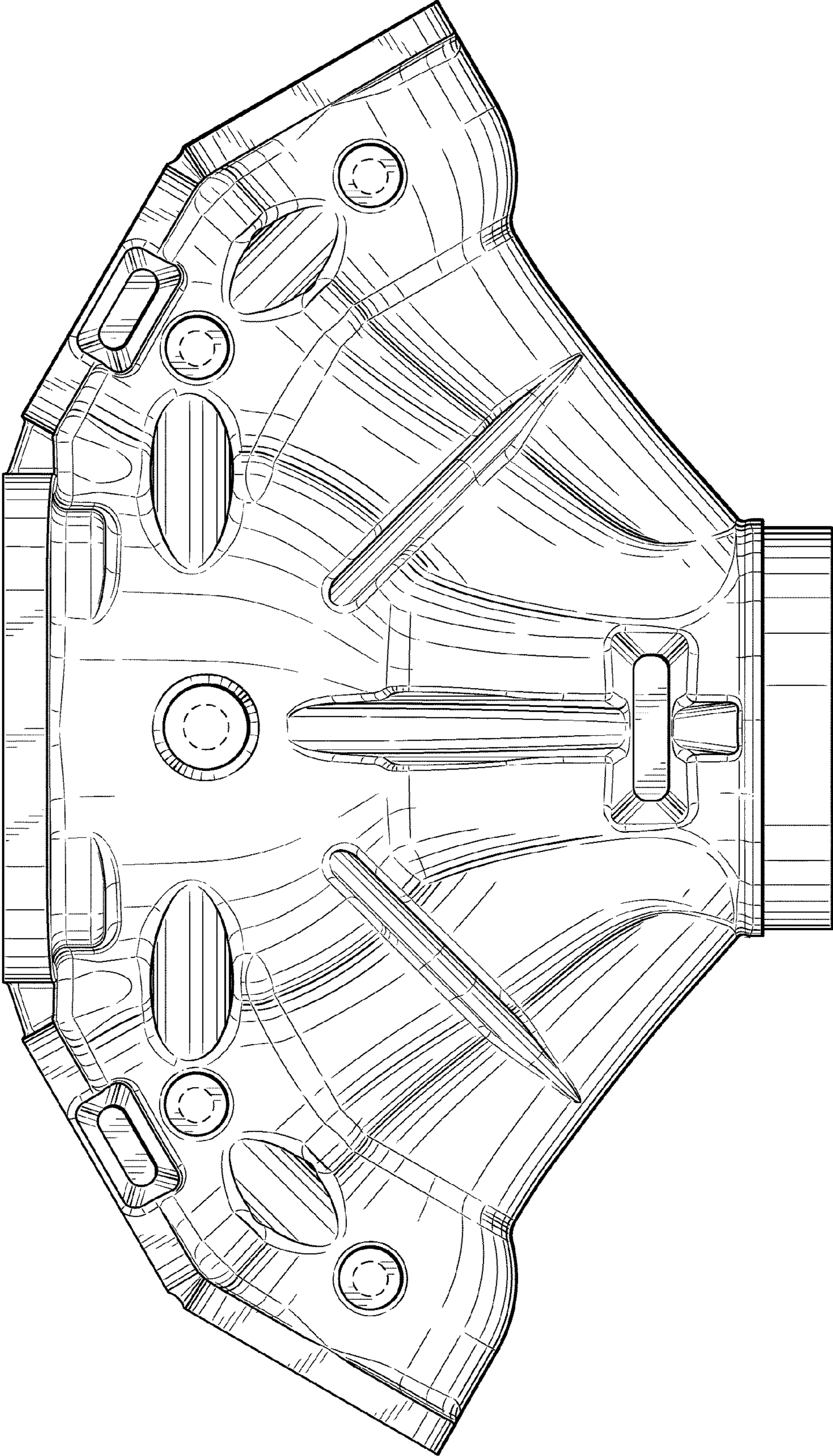


FIG. 7