



US00D652119S

(12) **United States Design Patent**
Reid et al.

(10) **Patent No.:** **US D652,119 S**
(45) **Date of Patent:** **** Jan. 10, 2012**

(54) **HANDLE**

(75) Inventors: **Mary Reid**, Sheboygan, WI (US);
Joseph Ellice, Milwaukee, WI (US)

(73) Assignee: **Kohler Co.**, Kohler, WI (US)

(**) Term: **14 Years**

(21) Appl. No.: **29/381,204**

(22) Filed: **Dec. 16, 2010**
(Under 37 CFR 1.47)

(51) **LOC (9) Cl.** **23-01**

(52) **U.S. Cl.** **D23/252**

(58) **Field of Classification Search** D23/250,
D23/252, 254, 238-243; 4/676-677; 137/801
See application file for complete search history.

(56) **References Cited**

U.S. PATENT DOCUMENTS

D467,155 S * 12/2002 Underhill et al. D8/308
D508,196 S * 8/2005 Pieters D8/308
D570,449 S * 6/2008 Lee D23/238

OTHER PUBLICATIONS

Toto. "Dorian Trip Toilet Lever". Model No. THU099#. FixtureUniverse.com online catalog. Copyright 1999-2010 Allied Trade Group, Inc.
Plumb Pak Corporation. "Tank Lever Latch, Brushed Nickel". Model No. PP836-74BNL. Plumbing.Hardwarestore.com online catalog. Copyright W.E. Aubuchon Co., Inc. 2009.
Ginger. "Circe Tank Lever, Lever Handle". Model No. 2790L. HomeClick.com online catalog. Copyright 2000-2010 HomeClick, LLC.

Kohler Co. Toilet Lever Handle. Kohler Co. online catalog. Copyright 2010 Kohler Co.

* cited by examiner

Primary Examiner — Robert Delehanty

(74) *Attorney, Agent, or Firm* — Foley & Lardner LLP

(57) **CLAIM**

The ornamental design for a handle, as shown and described.

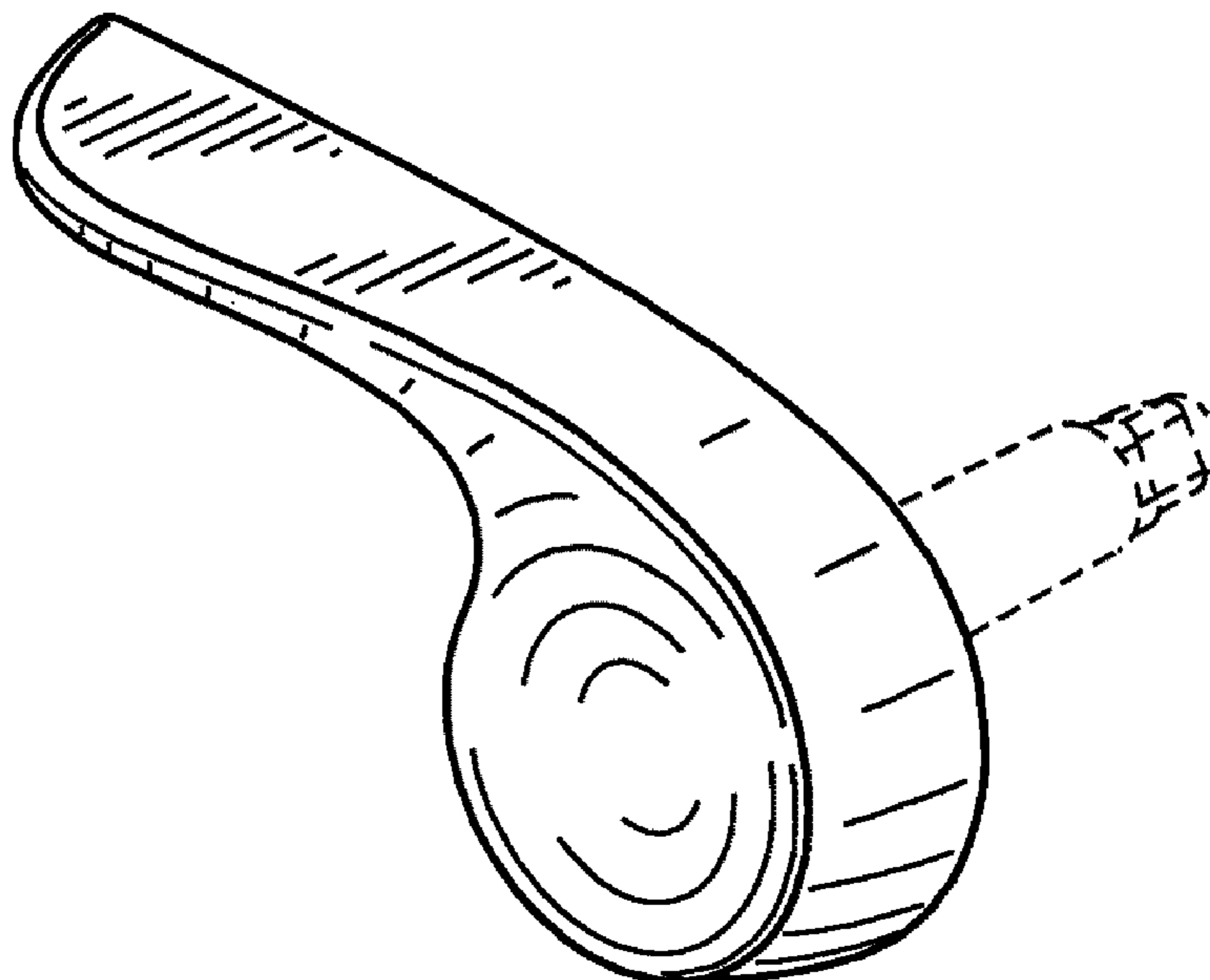
DESCRIPTION

FIG. 1 is a right, top, front perspective view of a handle embodying our new design;
FIG. 2 is a front elevational view thereof;
FIG. 3 is a top plan view thereof;
FIG. 4 is a bottom plan view thereof;
FIG. 5 is a right side elevational view thereof;
FIG. 6 is a left side elevational view thereof;
FIG. 7 is a rear elevational view thereof; and,
FIG. 8 is a left, top, front perspective view of a handle according to another embodiment of our new design, the front, top, bottom, right side, left side, and rear views thereof being mirror images of the views shown in FIGS. 2-7.

The dash-dash broken lines in FIGS. 1 and 3-8 are for the purpose of illustrating unclaimed surfaces or environment of the design. The dot-dash-dot broken lines in FIG. 7 define unclaimed boundaries of the design. The broken lines are thus not part of the claim.

The nature of this product is as a handle, for example a trip lever handle for a toilet.

1 Claim, 3 Drawing Sheets



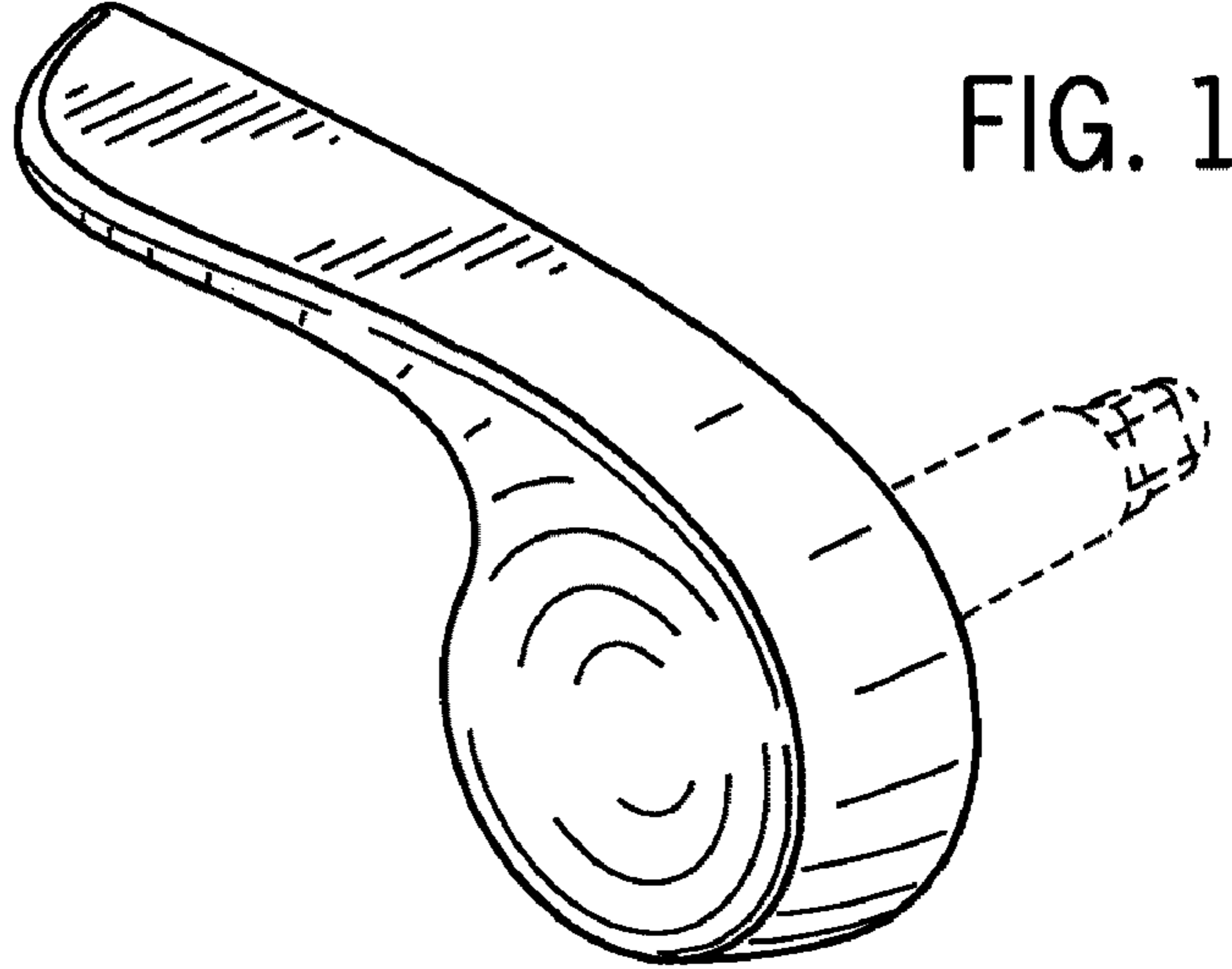


FIG. 1

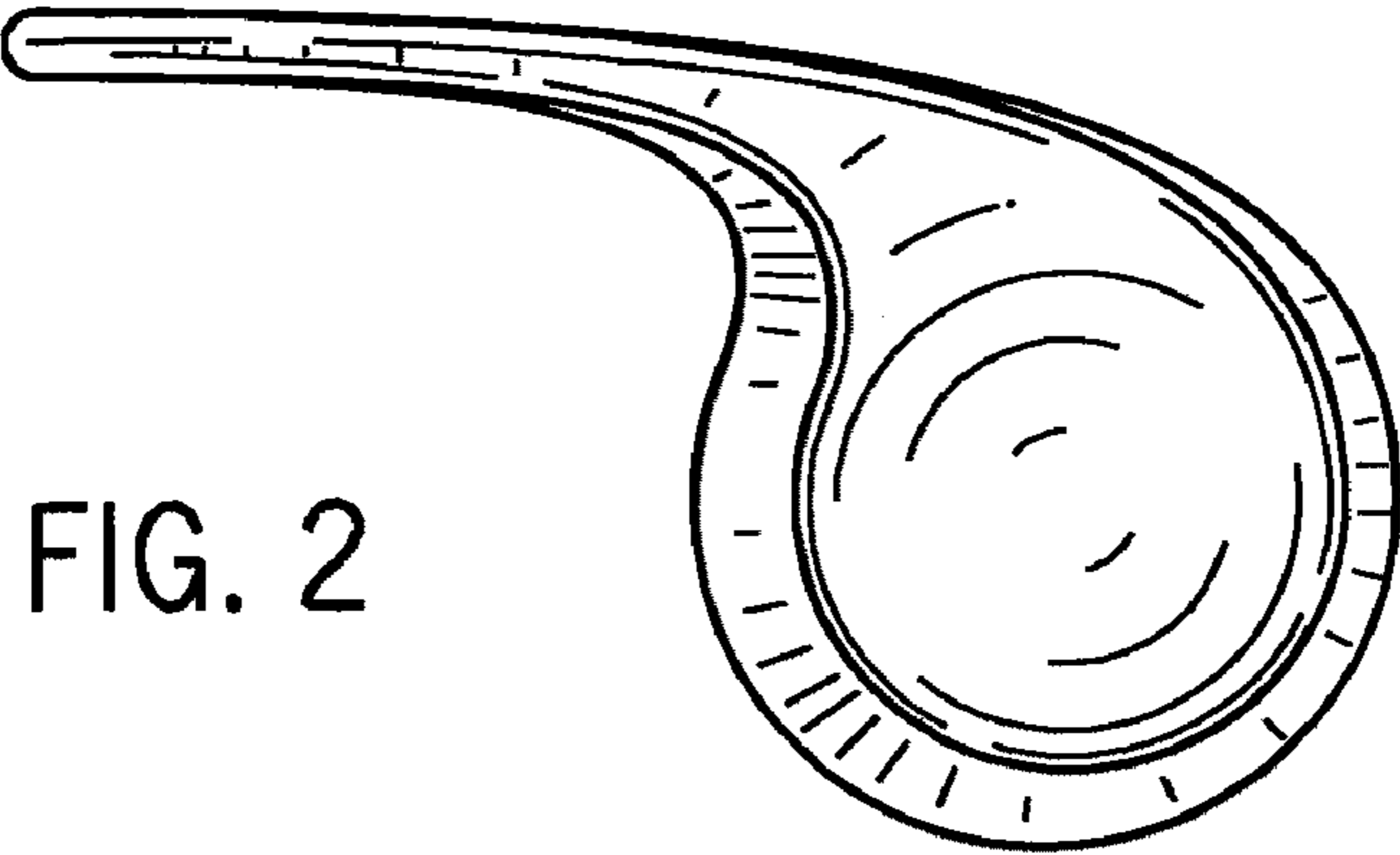


FIG. 2

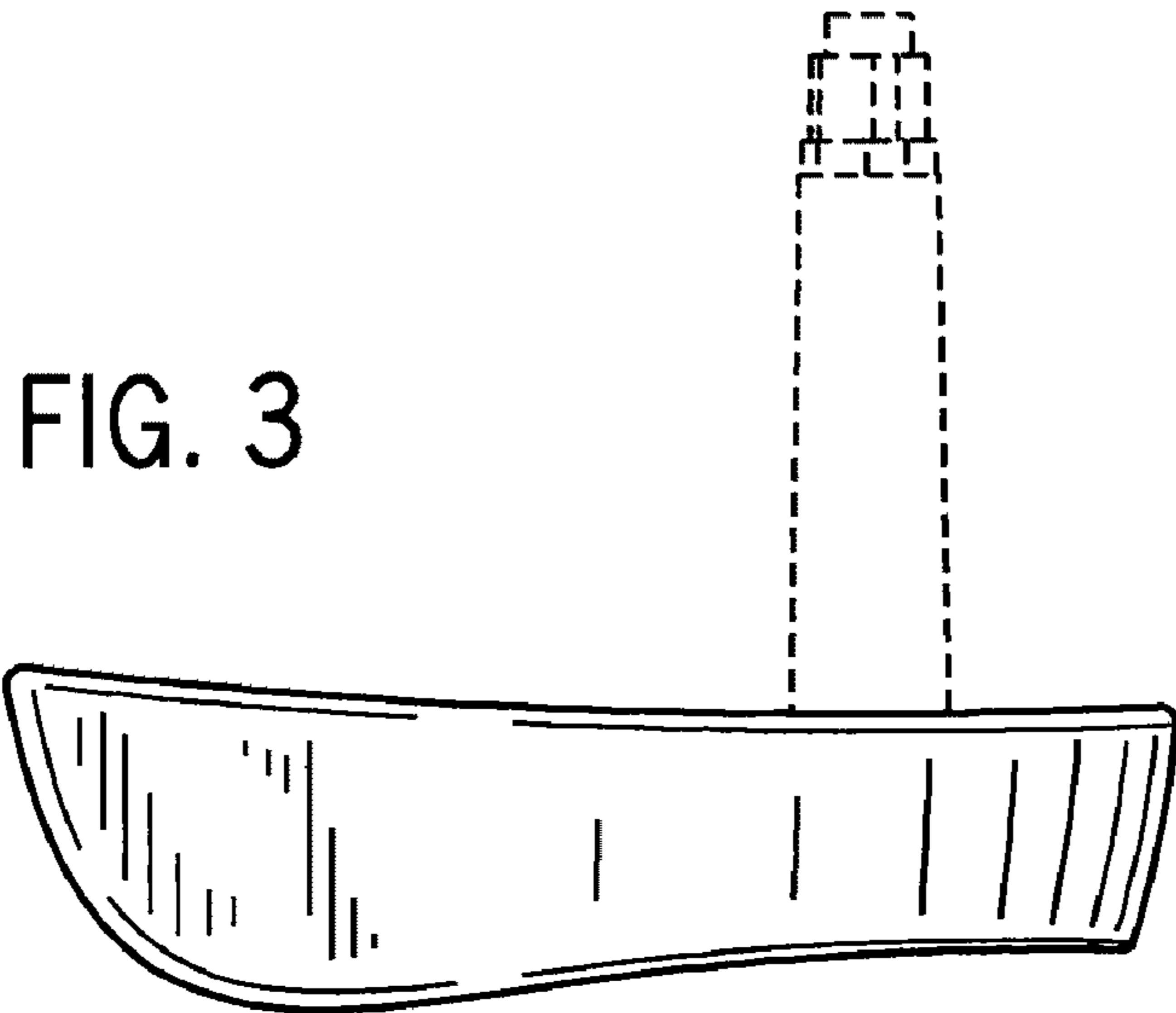


FIG. 3

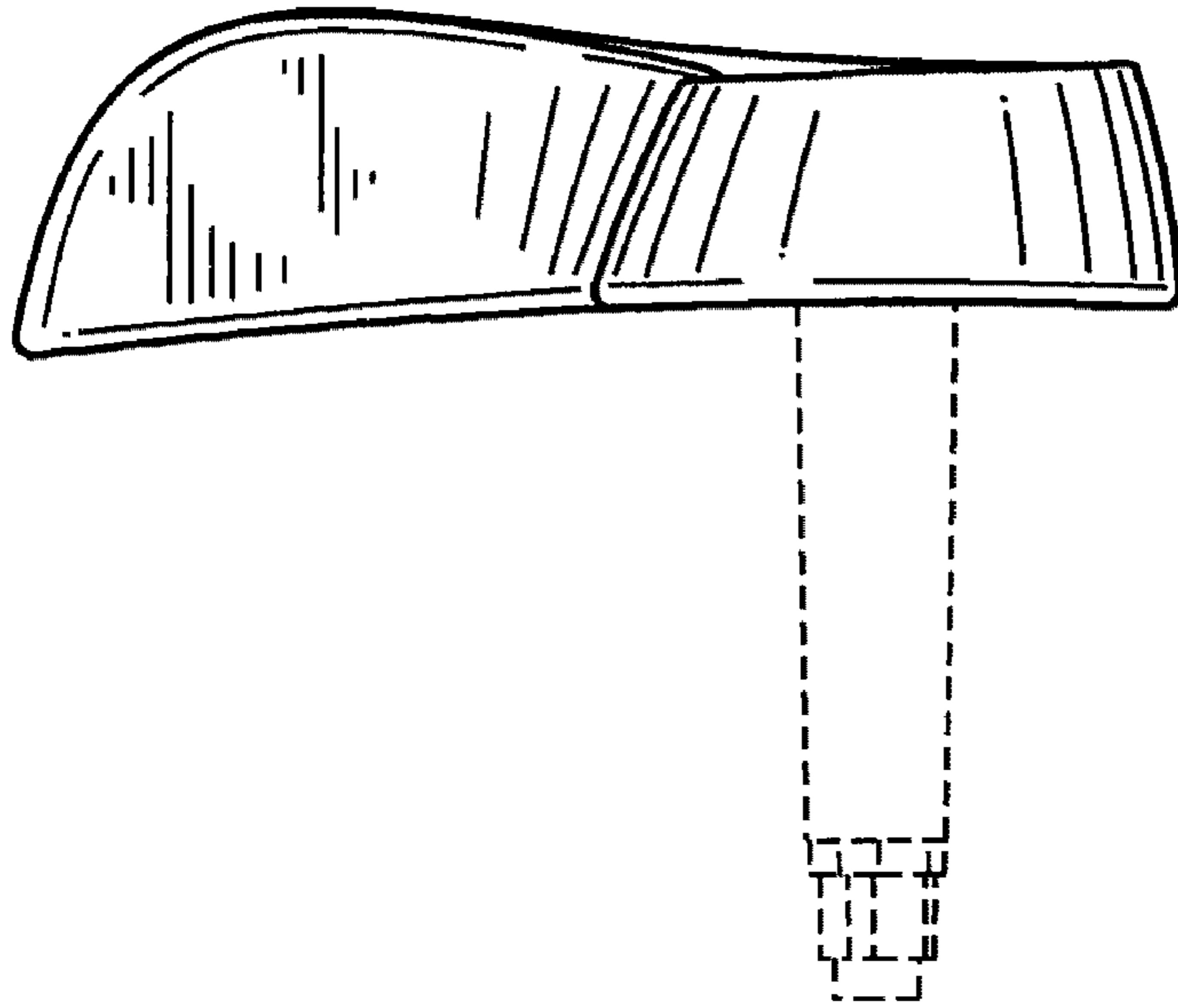


FIG. 4

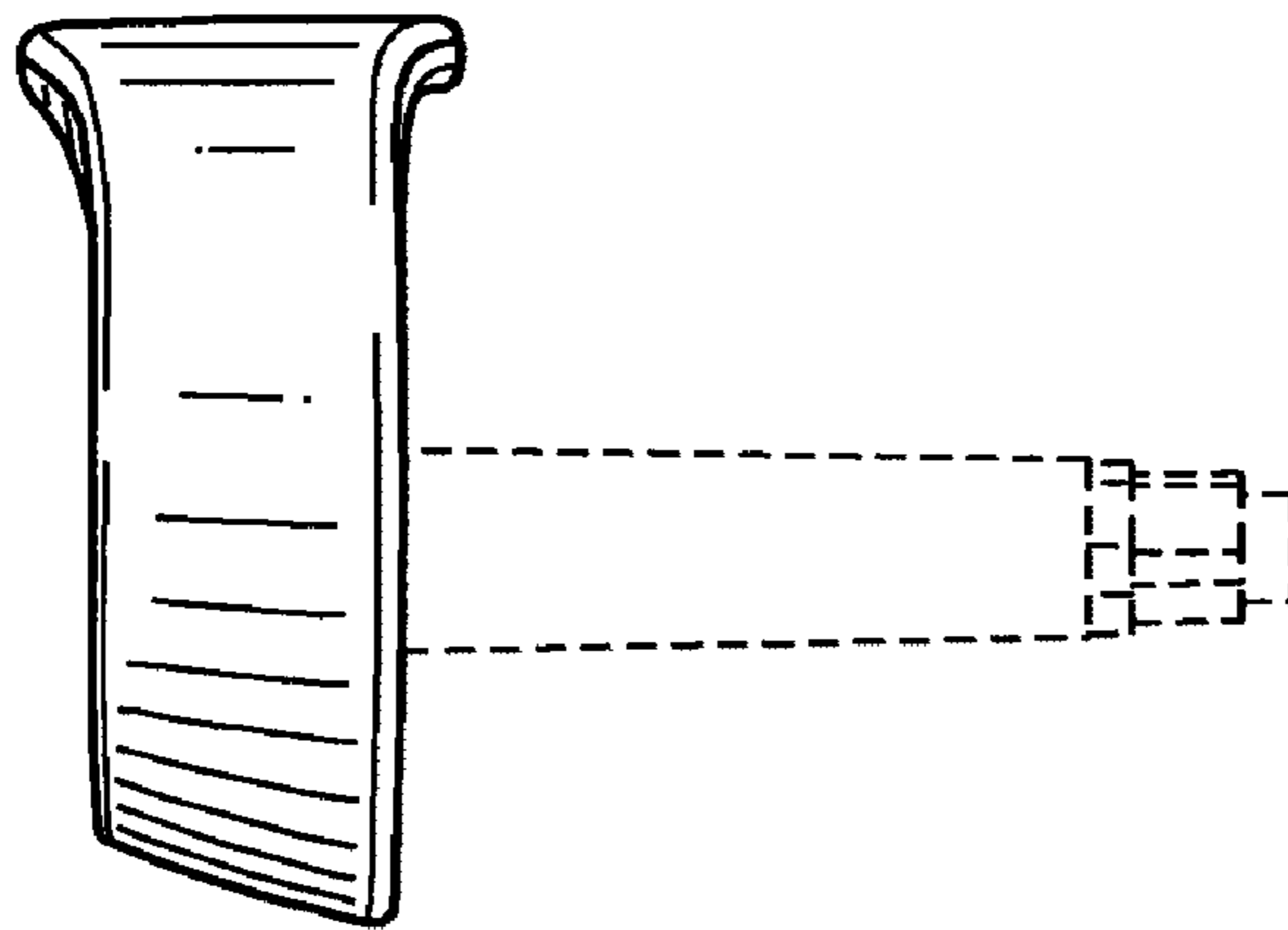


FIG. 5

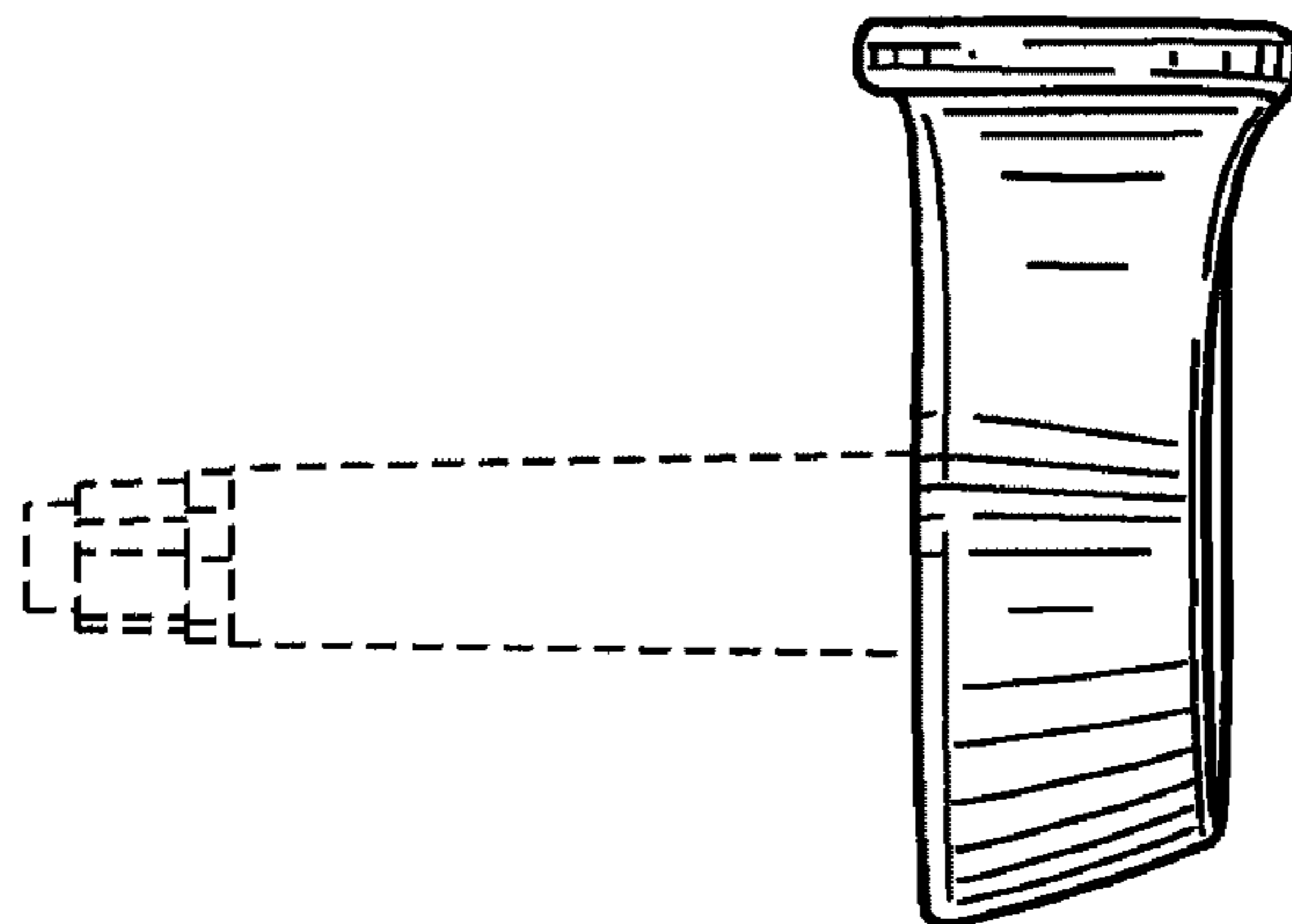


FIG. 6

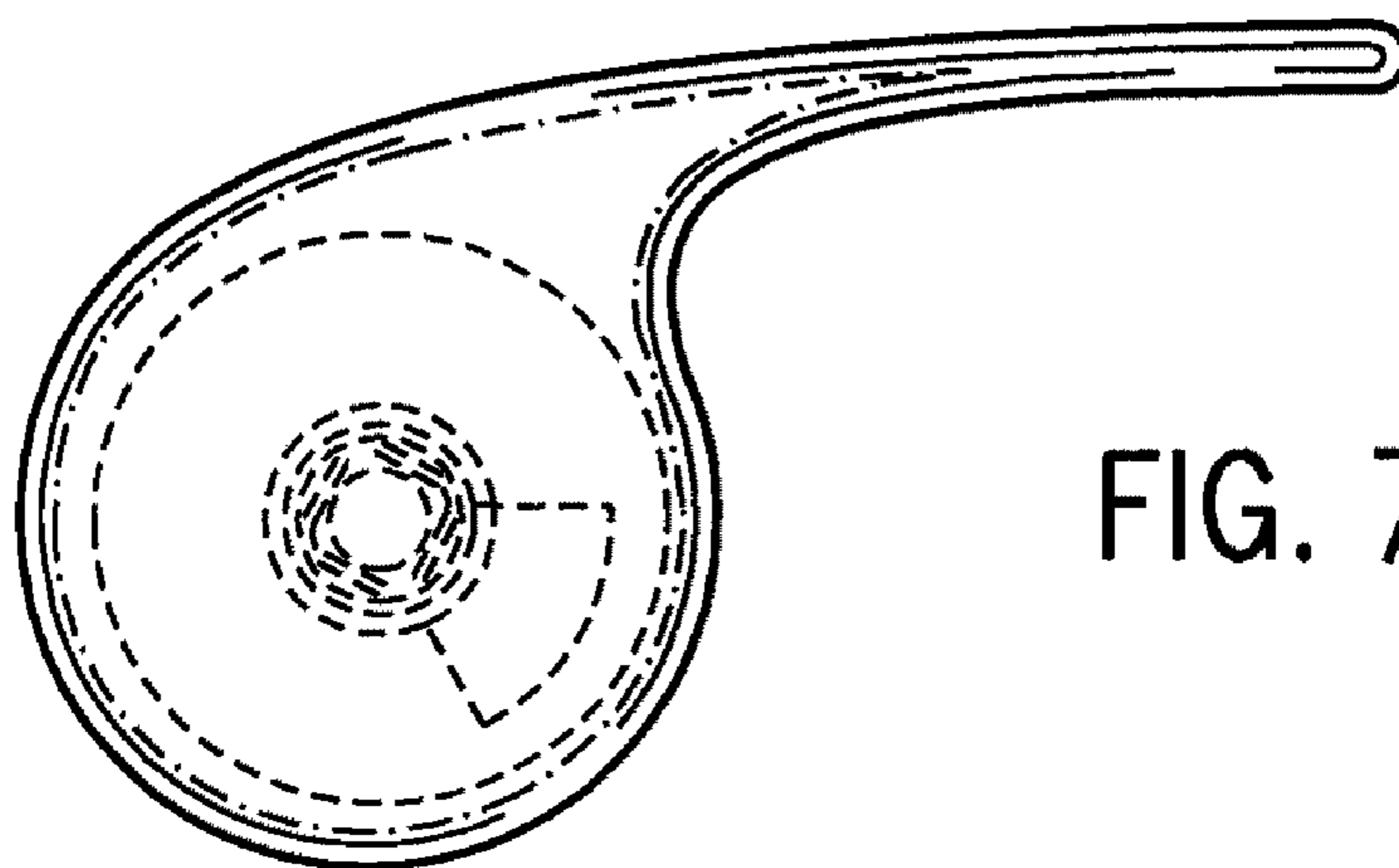


FIG. 7

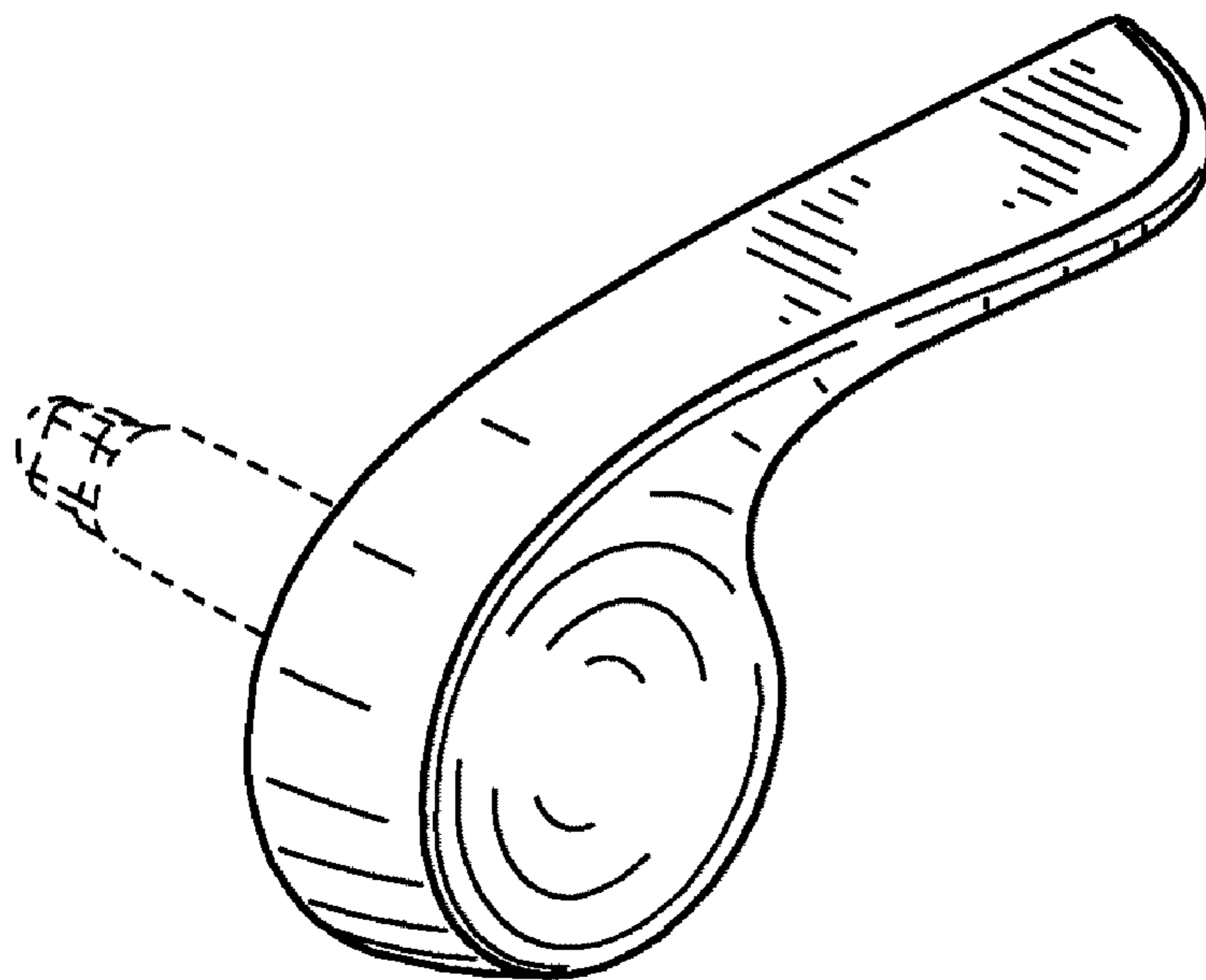


FIG. 8