



US00D652118S

(12) **United States Design Patent**
Corpuz, Jr.

(10) **Patent No.:** **US D652,118 S**
(45) **Date of Patent:** **** Jan. 10, 2012**

- (54) **HANDLE**
- (75) Inventor: **Roque M. Corpuz, Jr.**, Kohler, WI (US)
- (73) Assignee: **Kohler Co.**, Kohler, WI (US)
- (**) Term: **14 Years**
- (21) Appl. No.: **29/369,862**
- (22) Filed: **Sep. 14, 2010**
- (51) **LOC (9) Cl.** **23-01**
- (52) **U.S. Cl.** **D23/252**
- (58) **Field of Classification Search** D23/250,
D23/252, 254, 238-243; 4/676-677; 137/801
See application file for complete search history.

(56) **References Cited**

U.S. PATENT DOCUMENTS

D521,354 S * 5/2006 Gilbert et al. D8/308
D522,099 S * 5/2006 Fritz D23/252
D524,421 S * 7/2006 Schaffeld et al. D23/252

OTHER PUBLICATIONS

ShowHouse. "Divine" Toilet Tank Lever Bathroom Accessory.
Model No. YB9301BN. Faucet.com online catalog.
Kohler Co. "PB Left Hand Trip Lever for 4413". Model No. K-9436-
L-PB. Google products online.

American Standard. "Cadet 3 Trip Lever in Blackened Bronze".
Model No. 738903-0680A. HomeDepot.com online catalog.

* cited by examiner

Primary Examiner — Robert Delehanty

(74) *Attorney, Agent, or Firm* — Foley & Lardner LLP

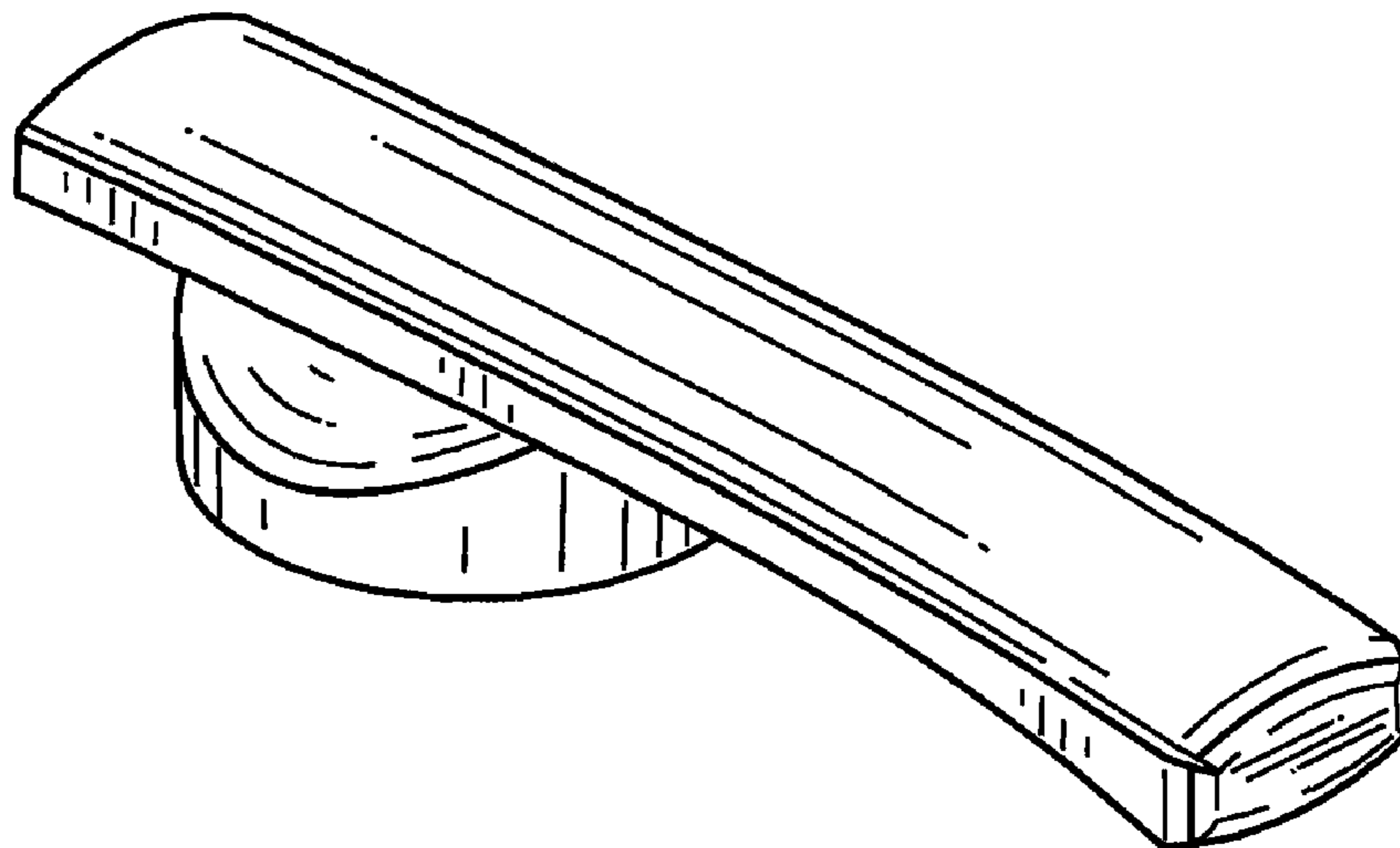
(57) **CLAIM**

The ornamental design for a handle, as shown and described.

DESCRIPTION

FIG. 1 is a right, top, front perspective view of a handle embodying my new design;
FIG. 2 is a top plan view thereof;
FIG. 3 is a front elevational view thereof, the rear elevational view thereof being a mirror image of the front shown;
FIG. 4 is a right side elevational view thereof;
FIG. 5 is a left side elevational view thereof; and,
FIG. 6 is a bottom plan view thereof.
The broken line representations of underside features in FIG. 6 are for the purpose of illustration only, and form no part of the claimed design.
In a preferred embodiment, the nature of this product is as a handle, such as for a faucet or like plumbing fitting.

1 Claim, 2 Drawing Sheets



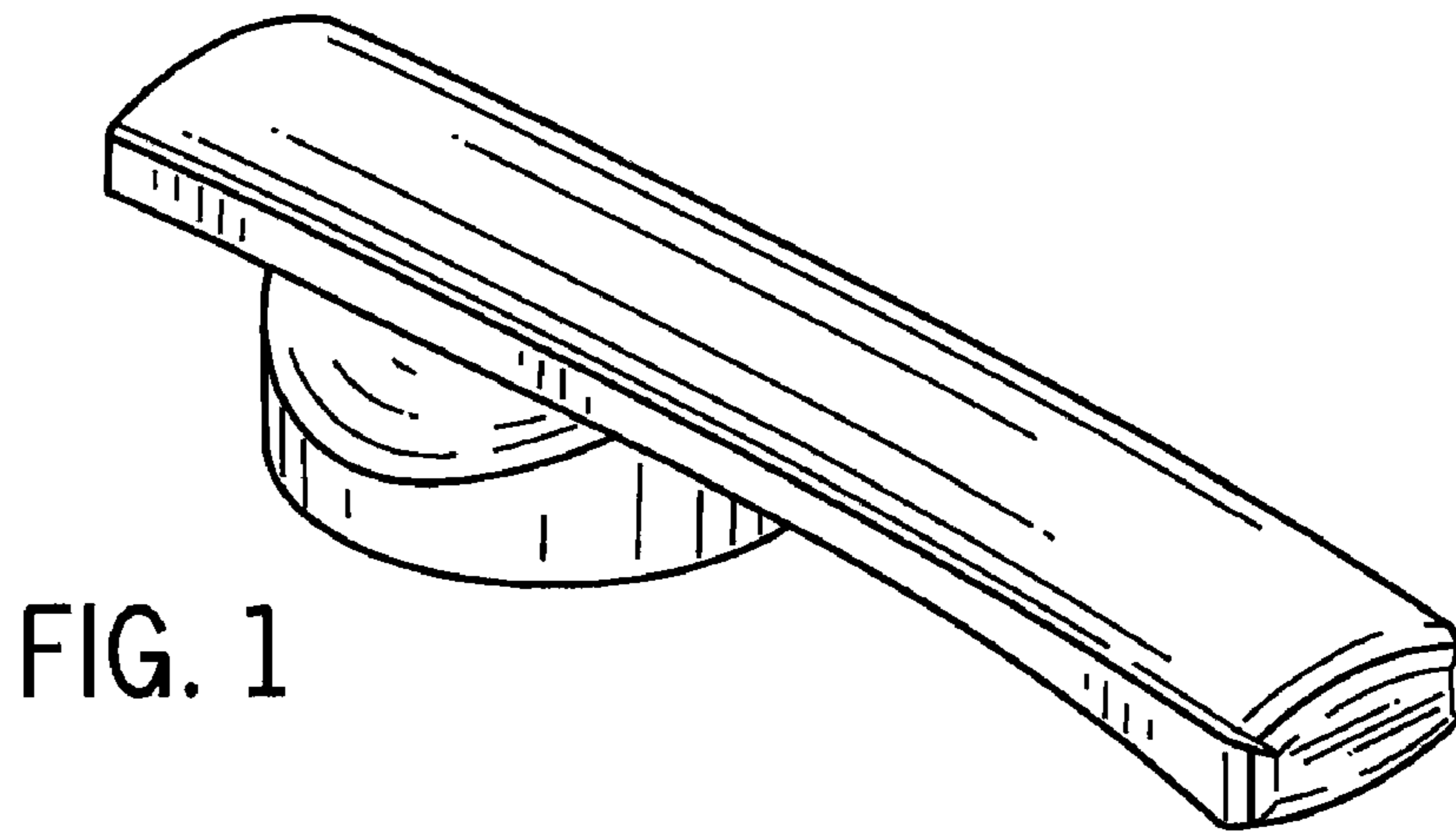


FIG. 1

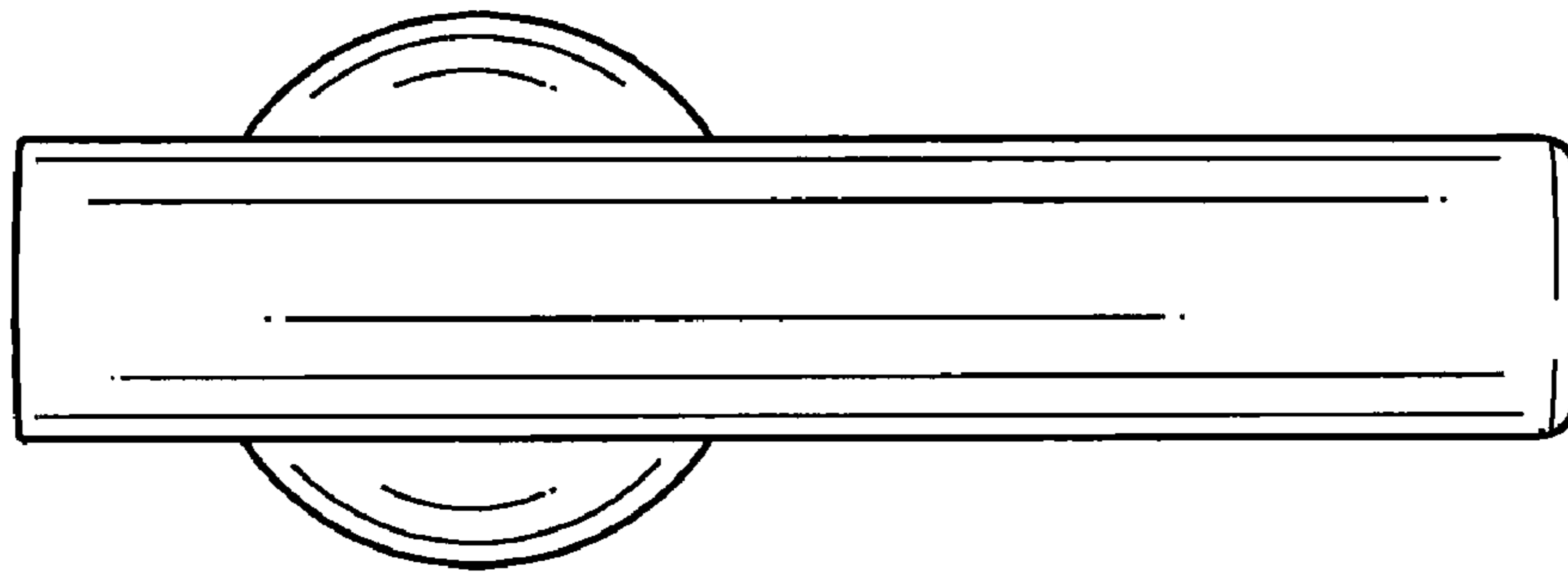


FIG. 2

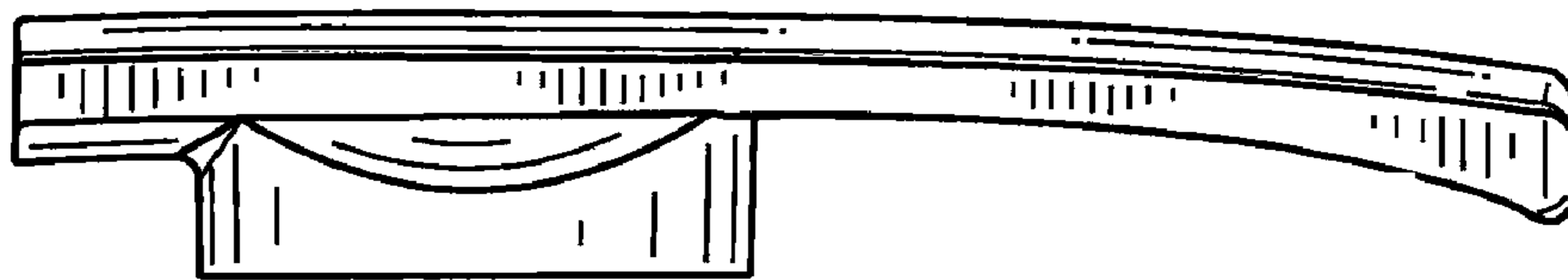


FIG. 3

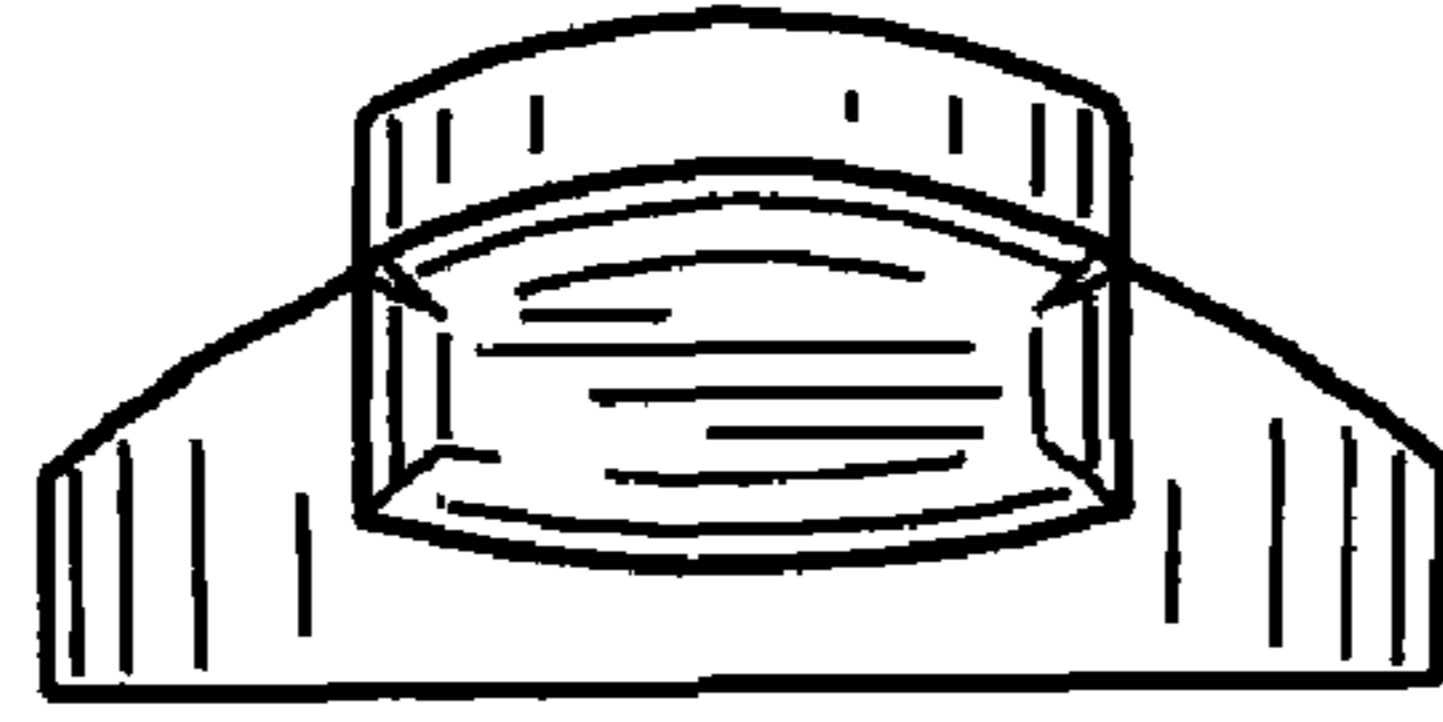


FIG. 4



FIG. 5

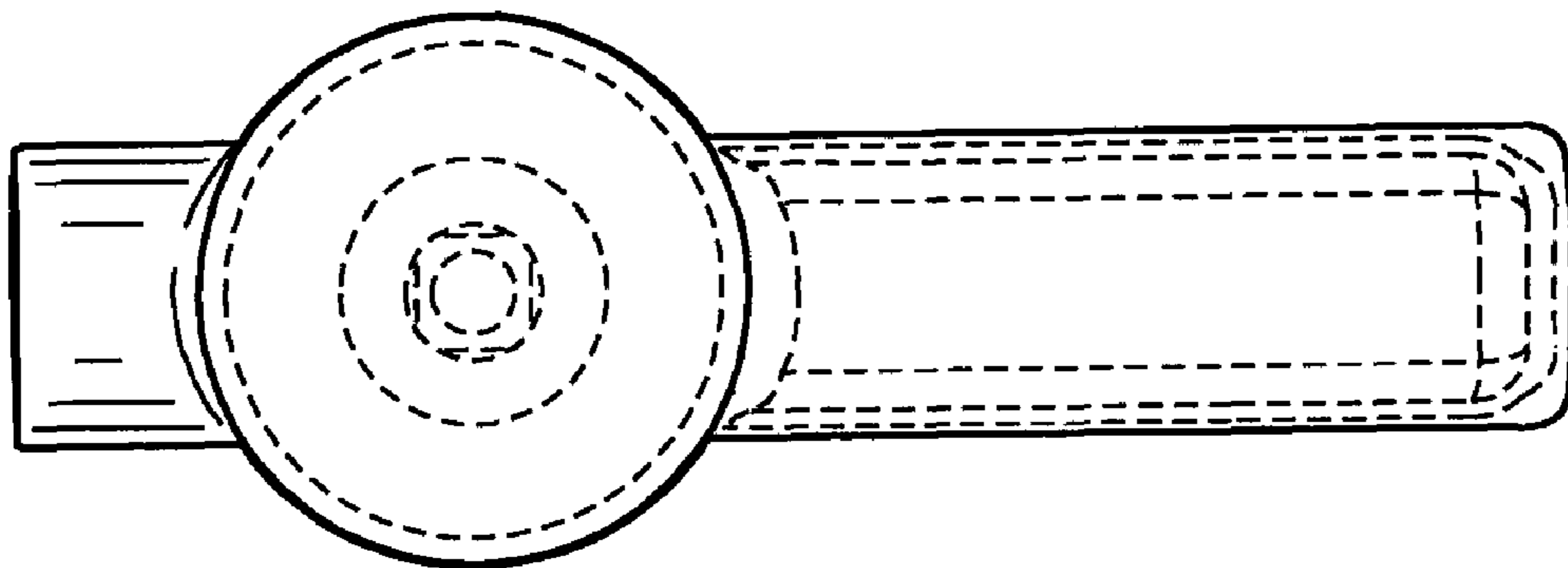


FIG. 6