

US00D652117S

(12) **United States Design Patent**
Slothower et al.

(10) **Patent No.:** **US D652,117 S**

(45) **Date of Patent:** **** Jan. 10, 2012**

(54) **PLUMBING FIXTURE**

(75) Inventors: **Anna-Pia K Slothower**, Mill Valley, CA (US); **Gregory DeSwarte**, Sheboygan, WI (US); **Herbert V. Kohler, Jr.**, Kohler, WI (US)

(73) Assignee: **Kohler Co.**, Kohler, WI (US)

(**) Term: **14 Years**

(21) Appl. No.: **29/375,060**

(22) Filed: **Sep. 16, 2010**

(51) **LOC (9) Cl.** **23-01**

(52) **U.S. Cl.** **D23/242**

(58) **Field of Classification Search** D23/238–243,
D23/250, 255, 252; 4/675–678; 137/801
See application file for complete search history.

(56) **References Cited**

U.S. PATENT DOCUMENTS

D385,769 S *	11/1997	Jans	D8/308
D538,400 S *	3/2007	Miyamoto	D23/241
D566,236 S *	4/2008	Sedwick	D23/238
D569,486 S	5/2008	Fritz et al.		
D573,228 S *	7/2008	Hsieh	D23/238
D624,630 S *	9/2010	Matsuura et al.	D23/255

OTHER PUBLICATIONS

Kallista. “The Diplomat Series”. Kallista Catalog.
Harden. “Harden Finishes”. Harden Catalog.
American Standard. “Tropic Deck Mount Tub Filler”.
HomePortfolio.com online catalog. Copyright 1997-2011
HomePortfolio Inc.
Kohler Co. “Faucet”. Kohler Co. online catalog. Copyright 2011
Kohler Co.
Moen. “Faucet”. Moen online catalog.
Kohler Co. “Stillness Rite-Temp Pressure-Balancing Bath and
Shower Faucet”. Model No. K-T948-4-CP/K-305-KNA. Kohler Co.
catalog.

American Standard. “Tropic 8” Widespread Bathroom Faucet.
Model No. 7038.801.002. Faucet.com online catalog. Copyright
1994-2010.

Jacob Delafon. “Shower Trim”. JacobDelafon.com online catalog.
Barclay. “Chess Widespread”. HomePortfolio.com online catalog.
Copyright 1997-2011 HomePortfolio Inc.

Kohler Co. “Coralais” Centerset Lavatory Faucet. Kohler online
catalog.

Kohler Co. “Forte Valve Trim”. Model No. K-T10359 and
K-T10360. Kohler online catalog.

Kohler Co. “Finesse Series”. Kohler catalog. Copyright Apr. 1988.
Notice of Allowance, dated May 20, 2011, for U.S. Appl. No.
29/375,057.

Notice of Allowance, dated May 27, 2011, for U.S. Appl. No.
29/375,054.

* cited by examiner

Primary Examiner — Robert Delehanty

(74) *Attorney, Agent, or Firm* — Foley & Lardner LLP

(57) **CLAIM**

The ornamental design for a plumbing fixture, as shown and
described.

DESCRIPTION

FIG. 1 is an isometric view of a front, top, and left side of an
ornamental design for the plumbing fixture embodying our
new design;

FIG. 2 is a front elevational view thereof;

FIG. 3 is a left side elevational view thereof, the right side
elevational view thereof being a mirror image thereof;

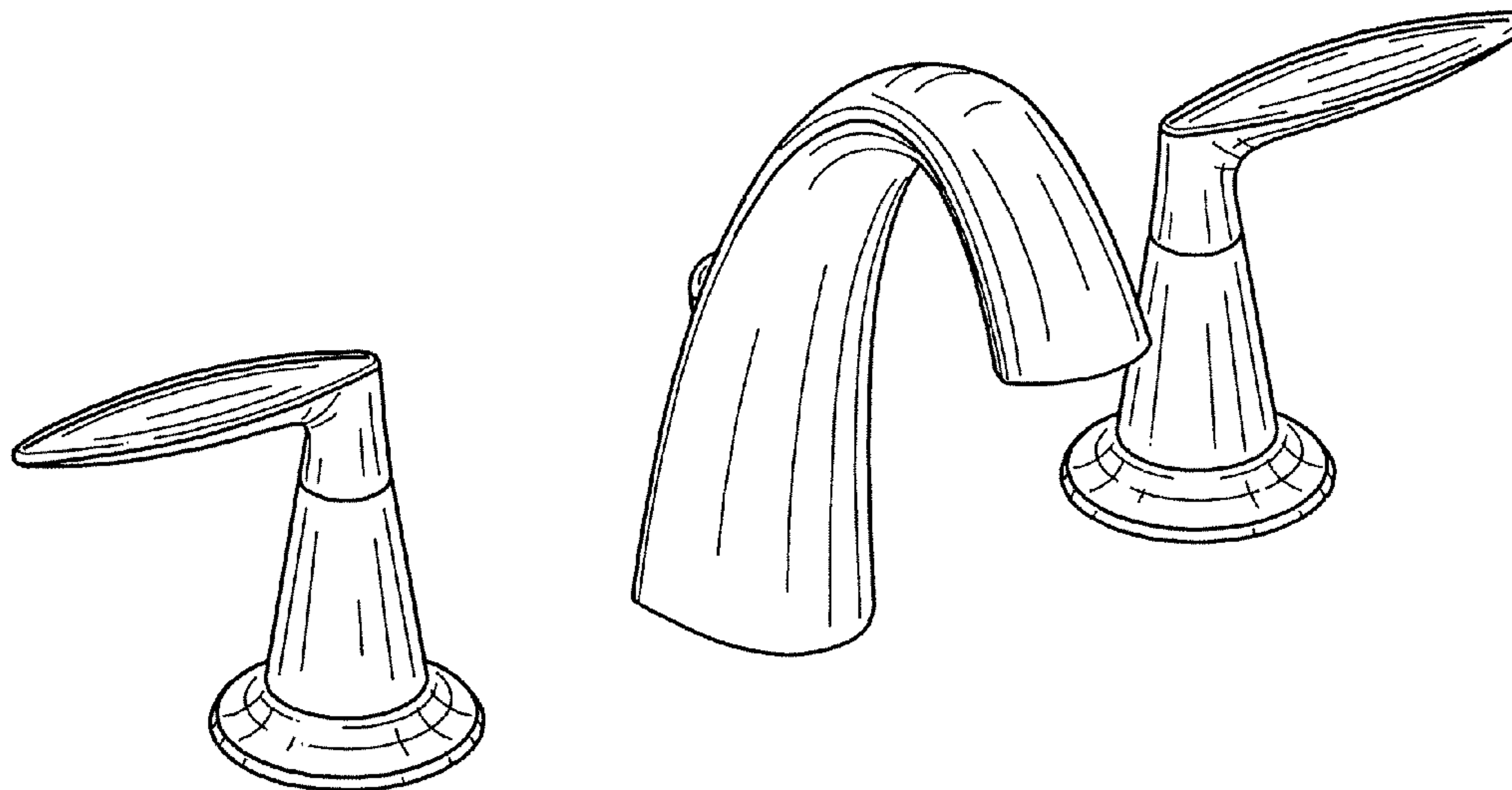
FIG. 4 is a rear elevational view thereof;

FIG. 5 is a top plan view thereof; and,

FIG. 6 is a bottom plan view thereof.

The broken lines in the drawings depict environment subject
matter only and form no part of the claimed design.

1 Claim, 6 Drawing Sheets



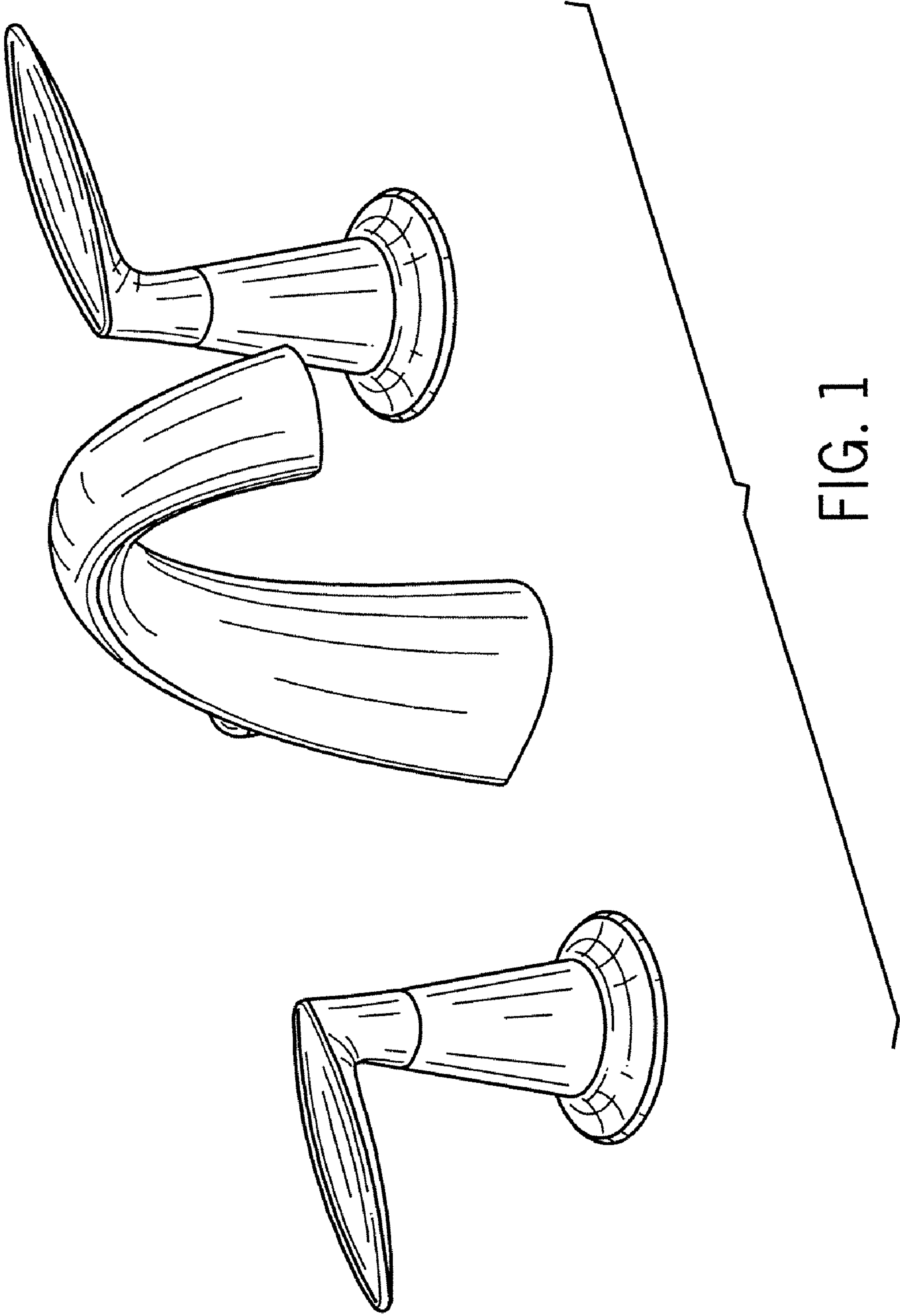


FIG. 1

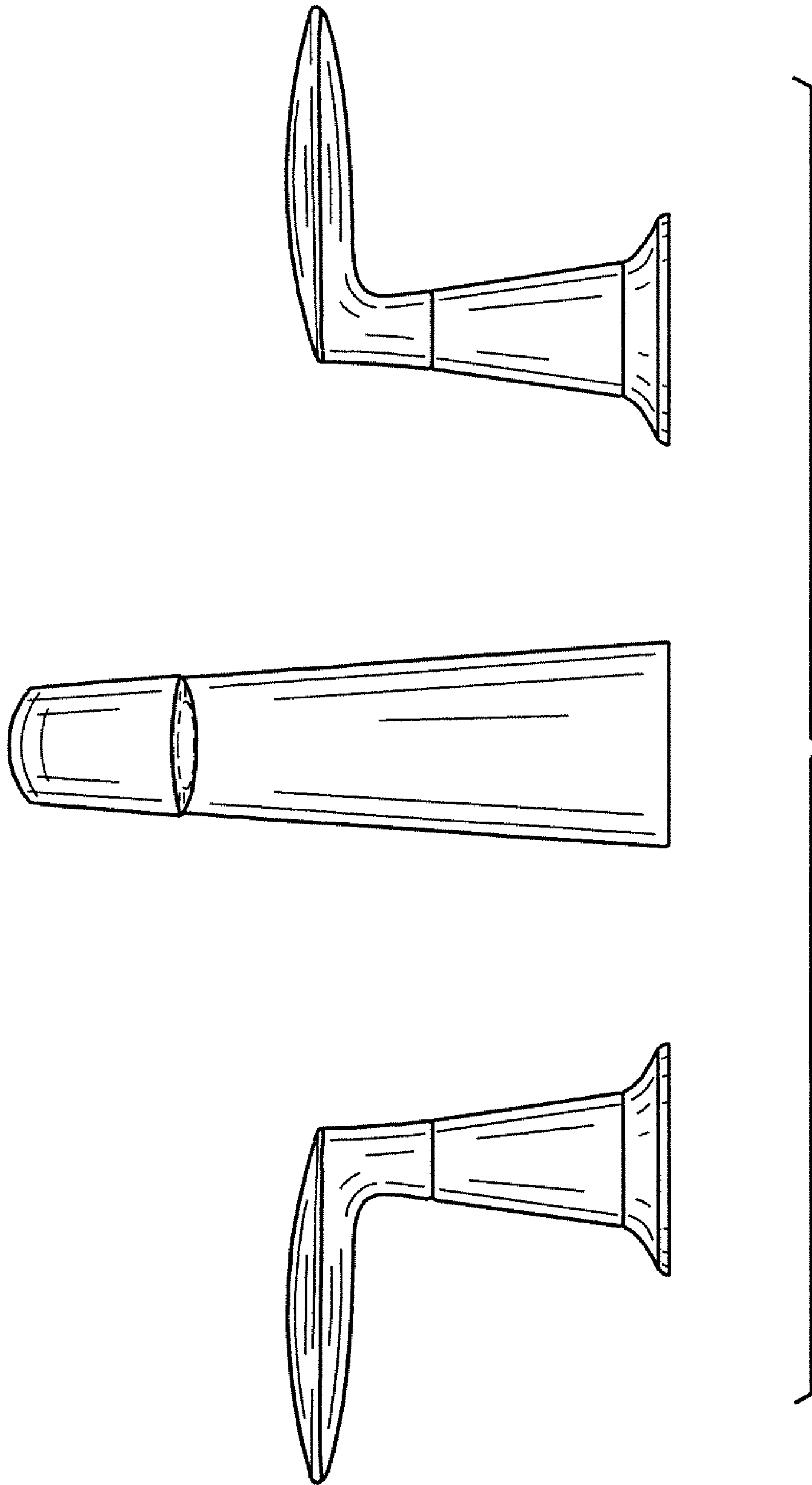


FIG. 2

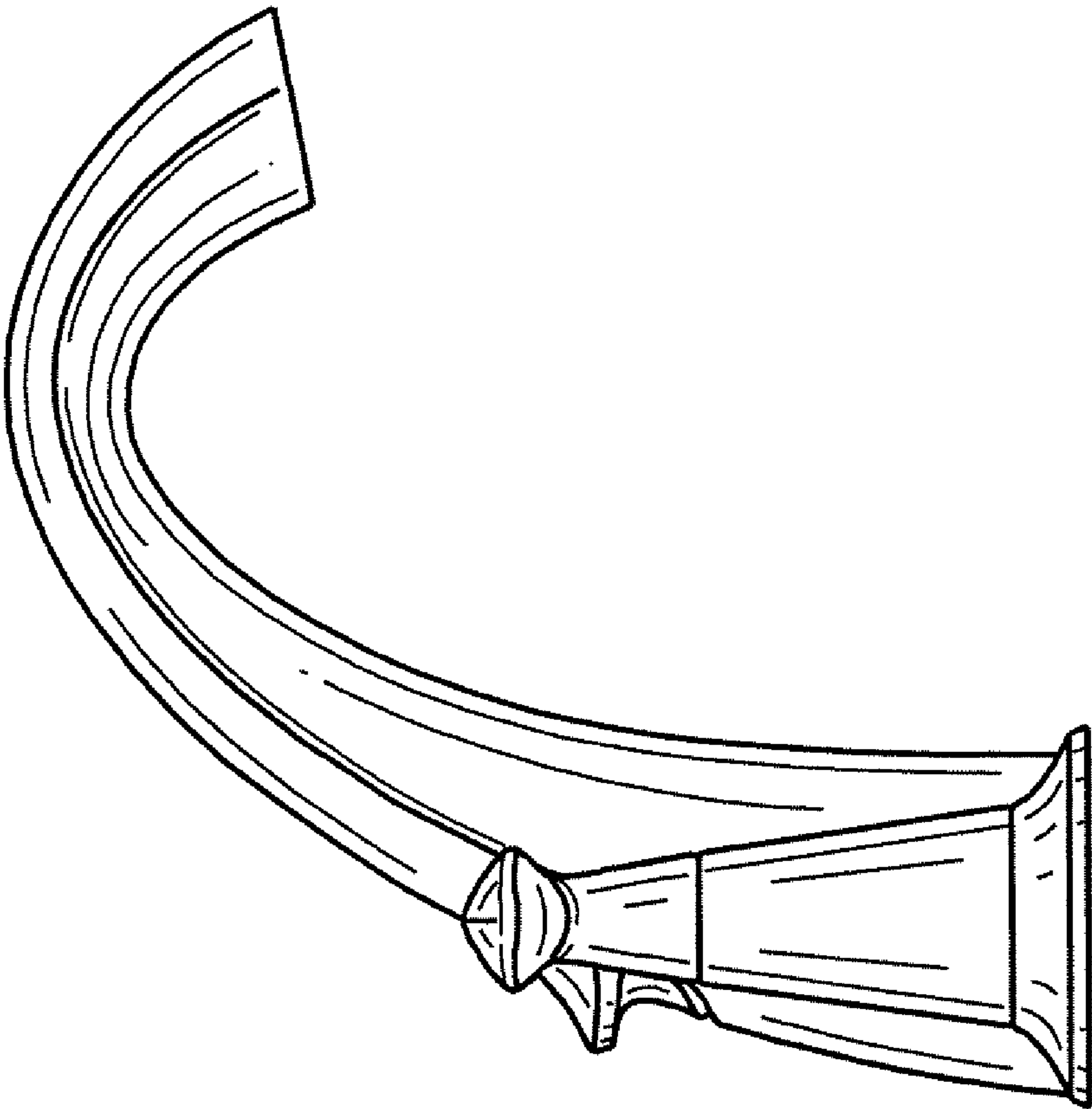


FIG. 3

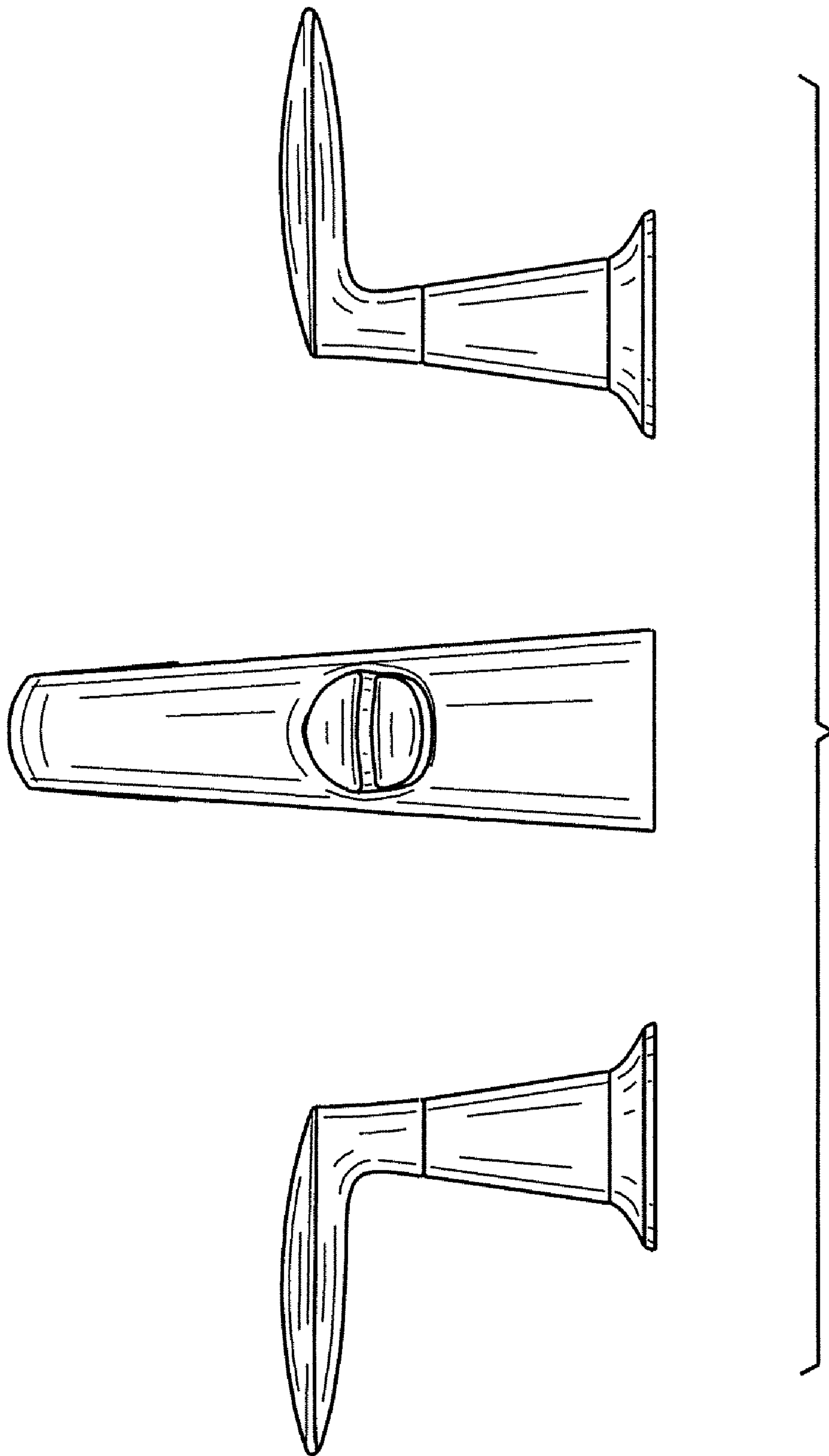


FIG. 4

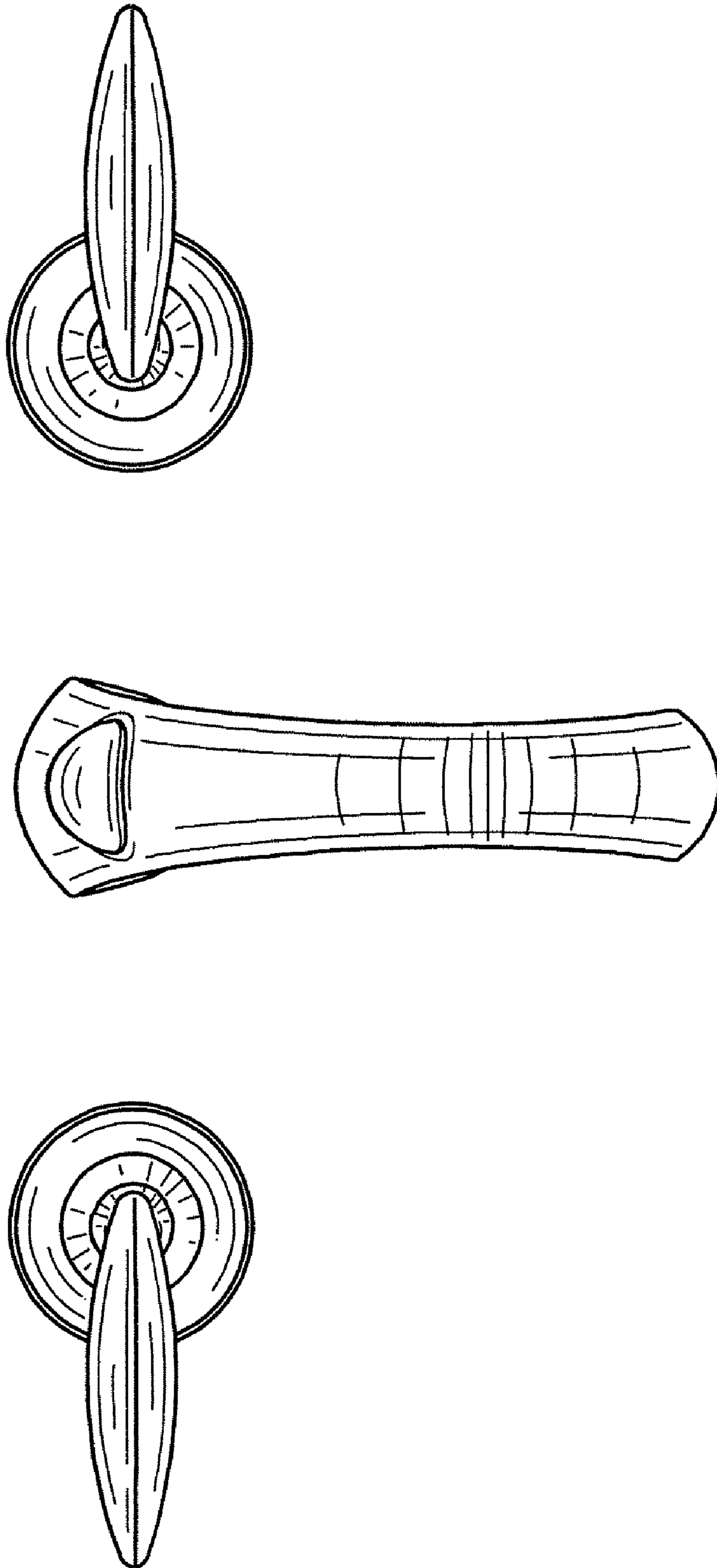


FIG. 5

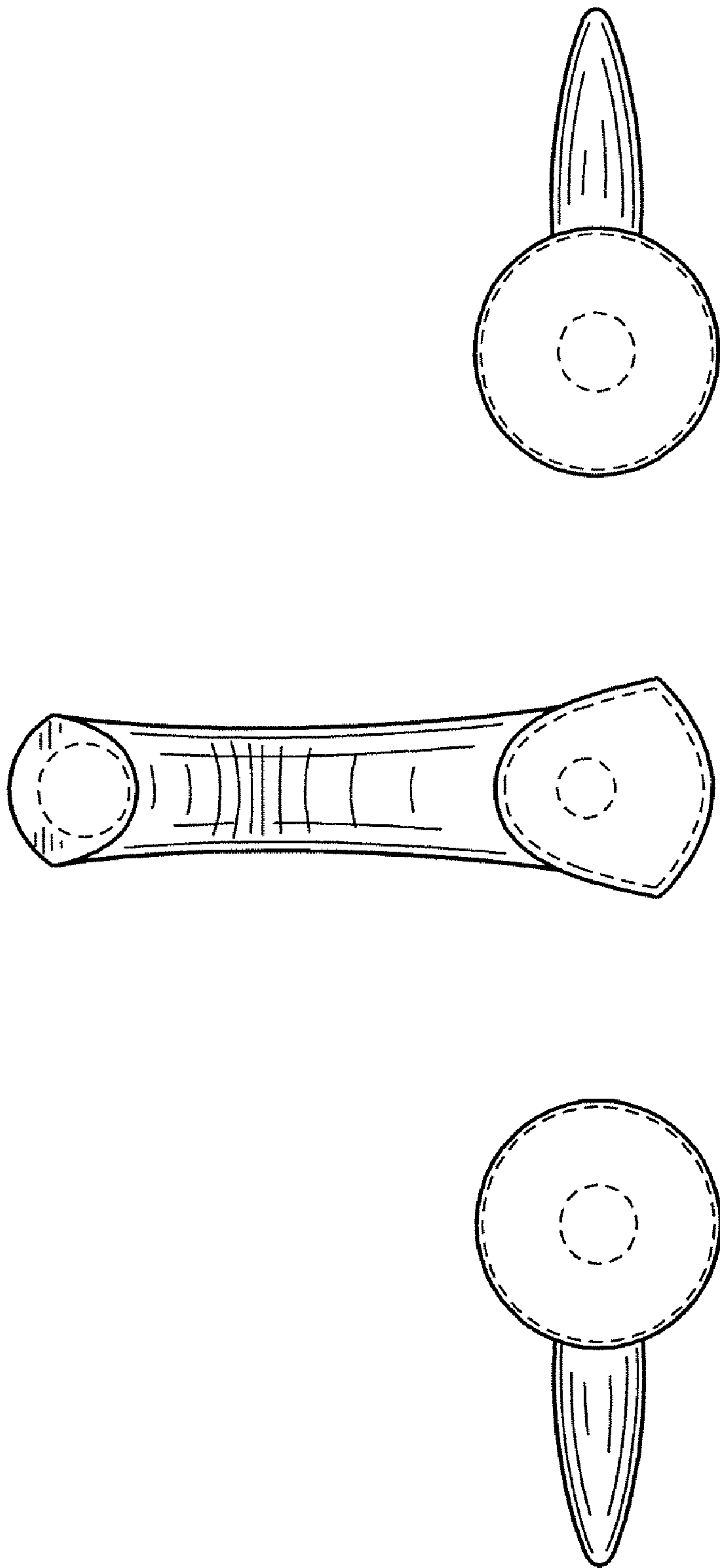


FIG. 6