



US00D652114S

(12) **United States Design Patent**  
**Yoo**

(10) **Patent No.:** **US D652,114 S**  
(45) **Date of Patent:** **\*\* Jan. 10, 2012**

(54) **SHOWERHEAD**

D559,950 S \* 1/2008 Tse ..... D23/229  
D578,608 S \* 10/2008 Wu et al. .... D23/229  
D578,609 S \* 10/2008 Wu et al. .... D23/229

(75) Inventor: **Man Ki Yoo**, Skokie, IL (US)

\* cited by examiner

(73) Assignee: **Alsons Corporation**, Hillsdale, MI (US)

*Primary Examiner* — Robin V Webster

(\*\*) Term: **14 Years**

(74) *Attorney, Agent, or Firm* — Edgar A. Zarins; Nirav D. Parikh; Lora J. Graentzdoerffer

(21) Appl. No.: **29/389,996**

(57) **CLAIM**

(22) Filed: **Apr. 19, 2011**

The ornamental design for a showerhead, as shown and described.

(51) **LOC (9) Cl.** ..... **23-01**

(52) **U.S. Cl.** ..... **D23/229**

(58) **Field of Classification Search** ..... D23/213,  
D23/223, 226, 229, 230; 239/282, 283, 527  
See application file for complete search history.

**DESCRIPTION**

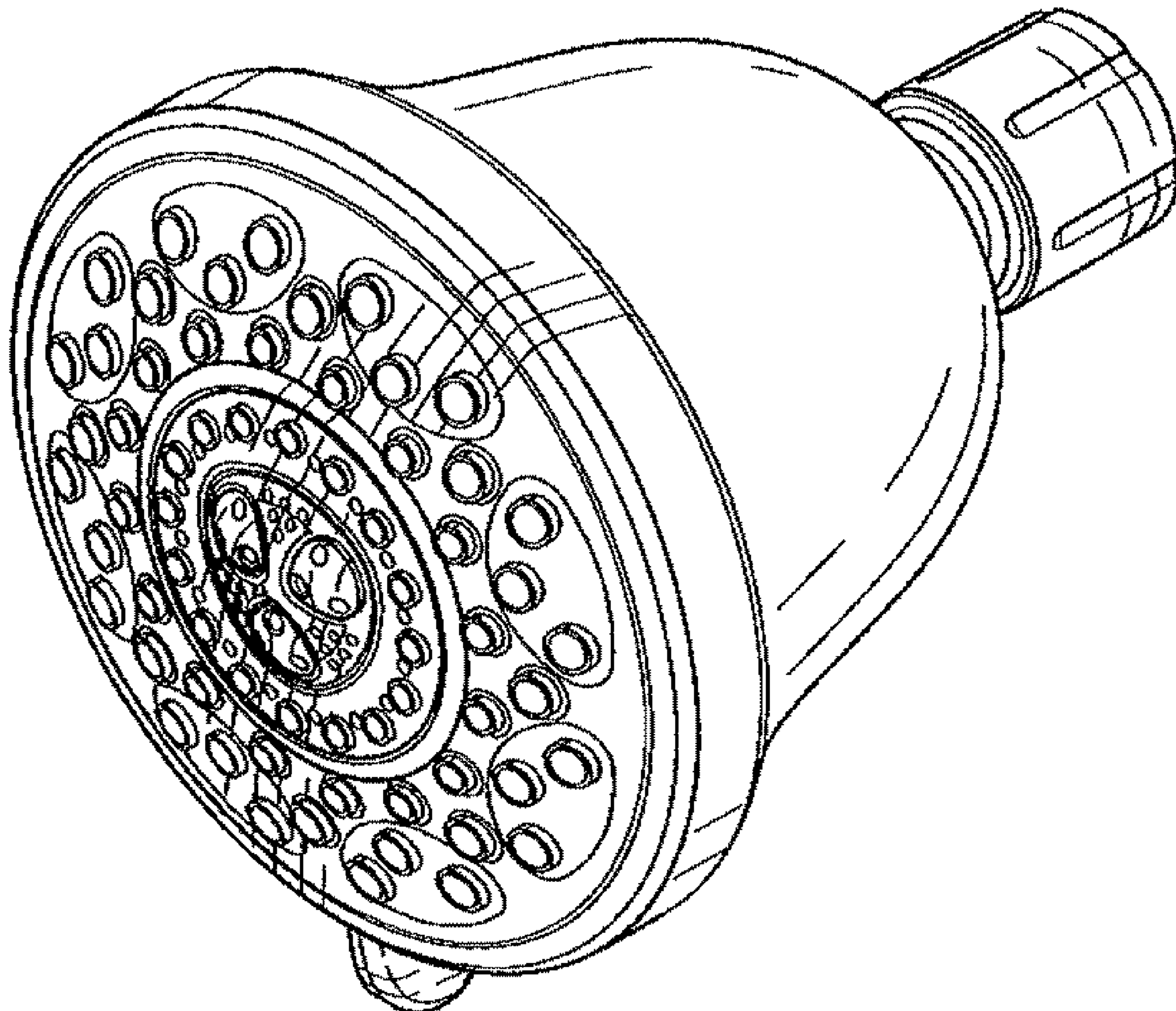
(56) **References Cited**

FIG. 1 is a perspective view of a showerhead showing my new design;  
FIG. 2 is a front elevational view thereof;  
FIG. 3 is a first side view thereof;  
FIG. 4 is a second side view thereof;  
FIG. 5 is a third side view thereof; and,  
FIG. 6 is a fourth side view thereof.

U.S. PATENT DOCUMENTS

D432,210 S \* 10/2000 Tse ..... D23/229  
D497,408 S \* 10/2004 Wu et al. .... D23/229

**1 Claim, 3 Drawing Sheets**



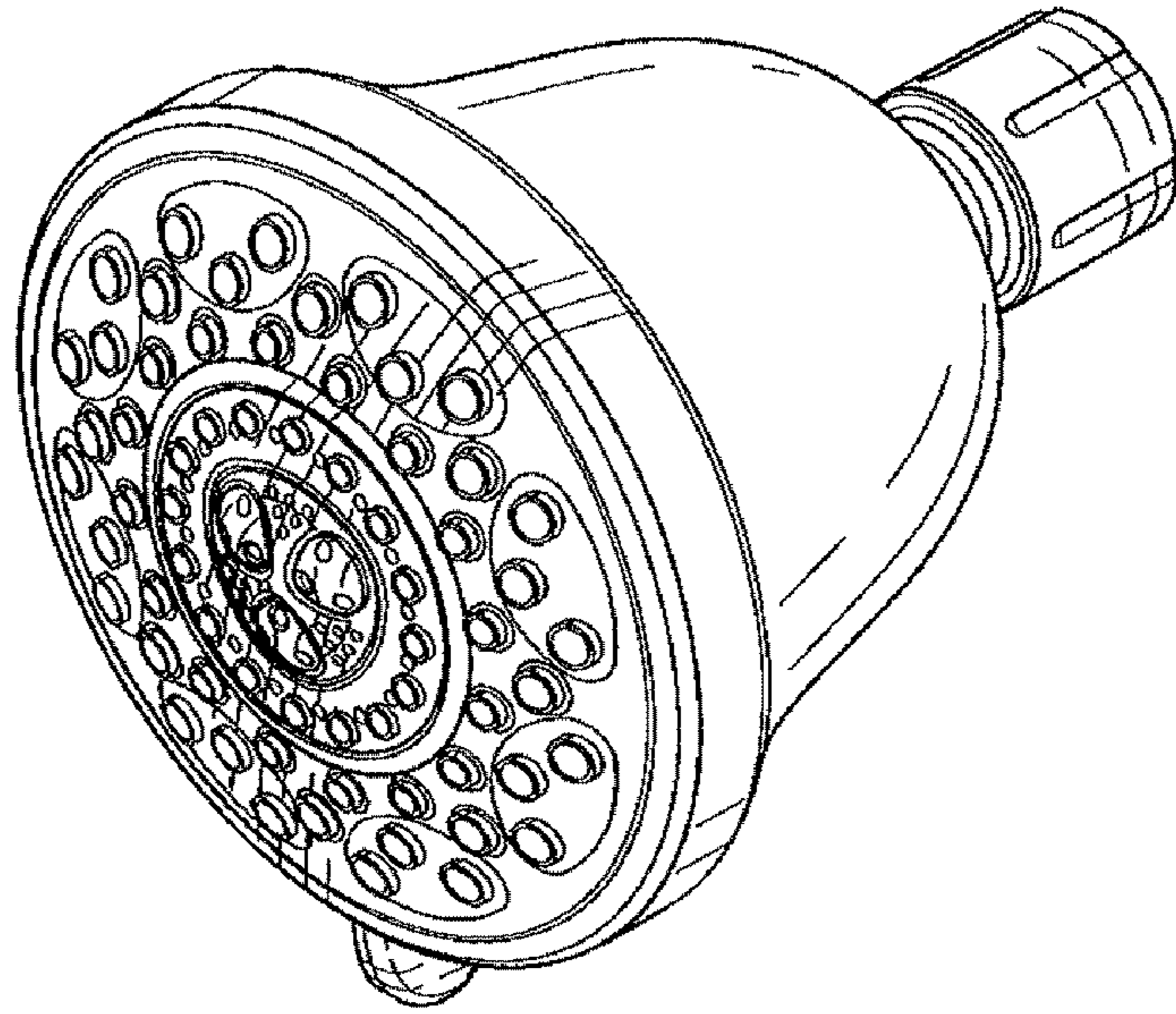


Fig-1

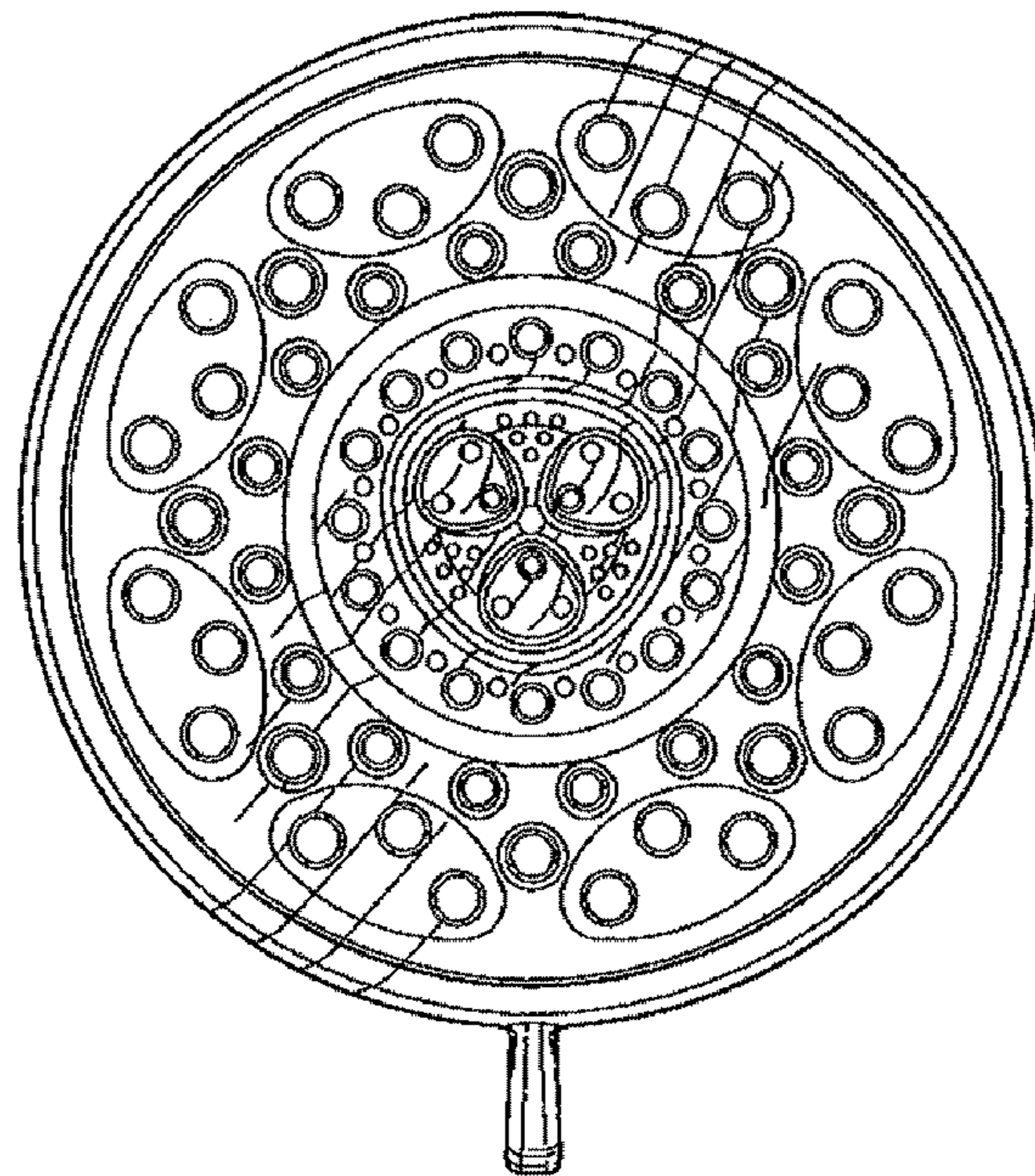


Fig-2

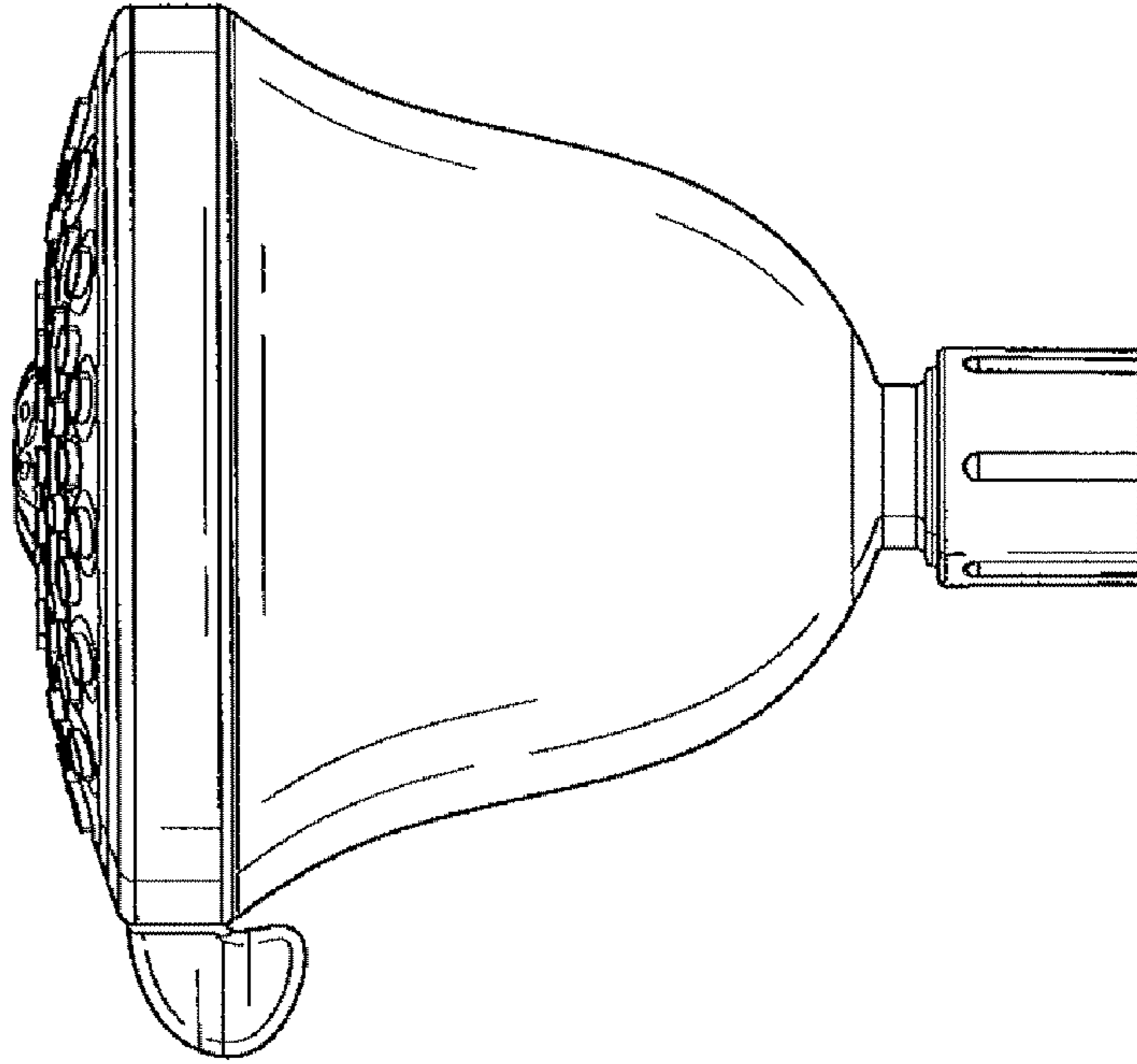


Fig-3

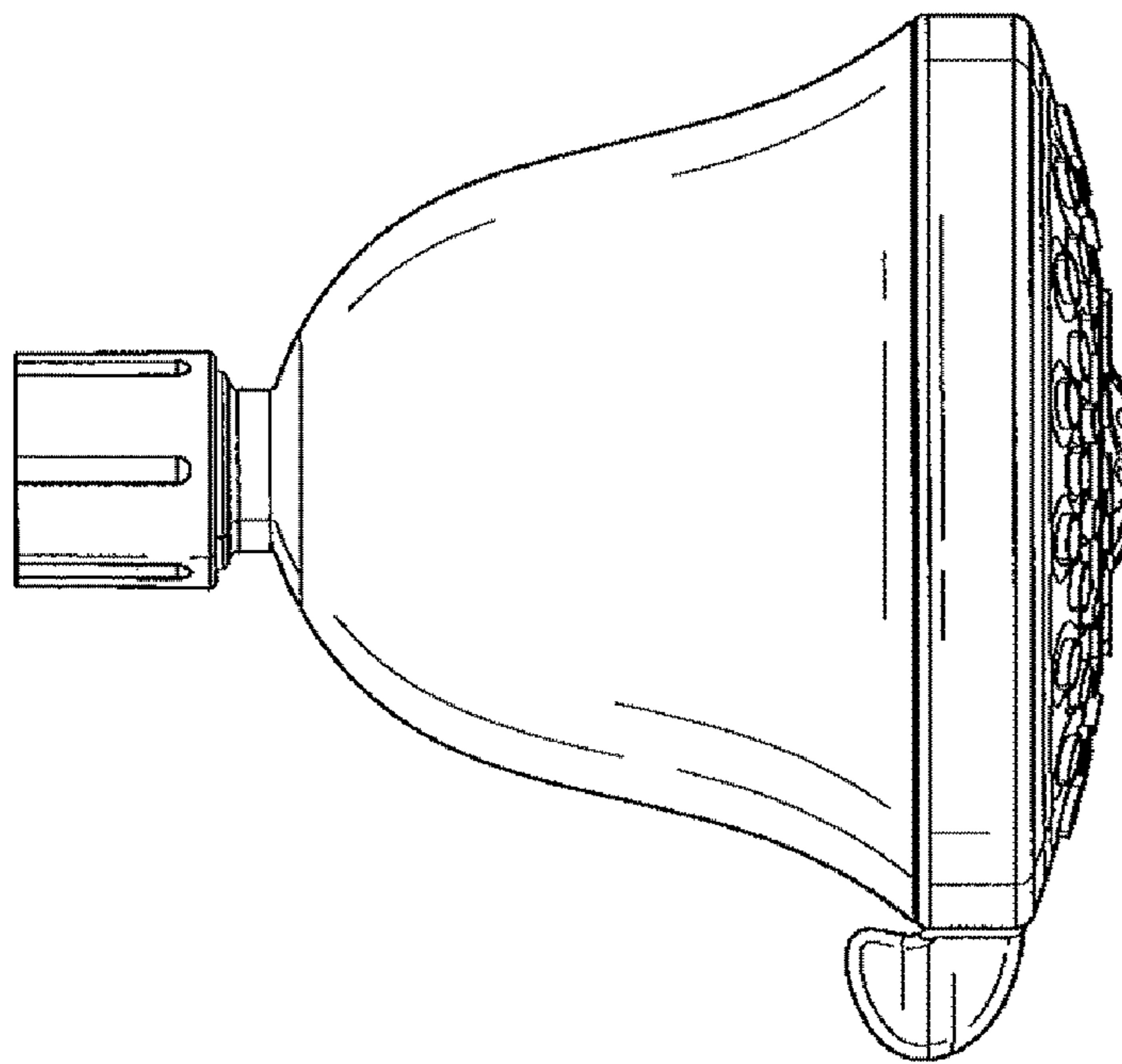


Fig-4

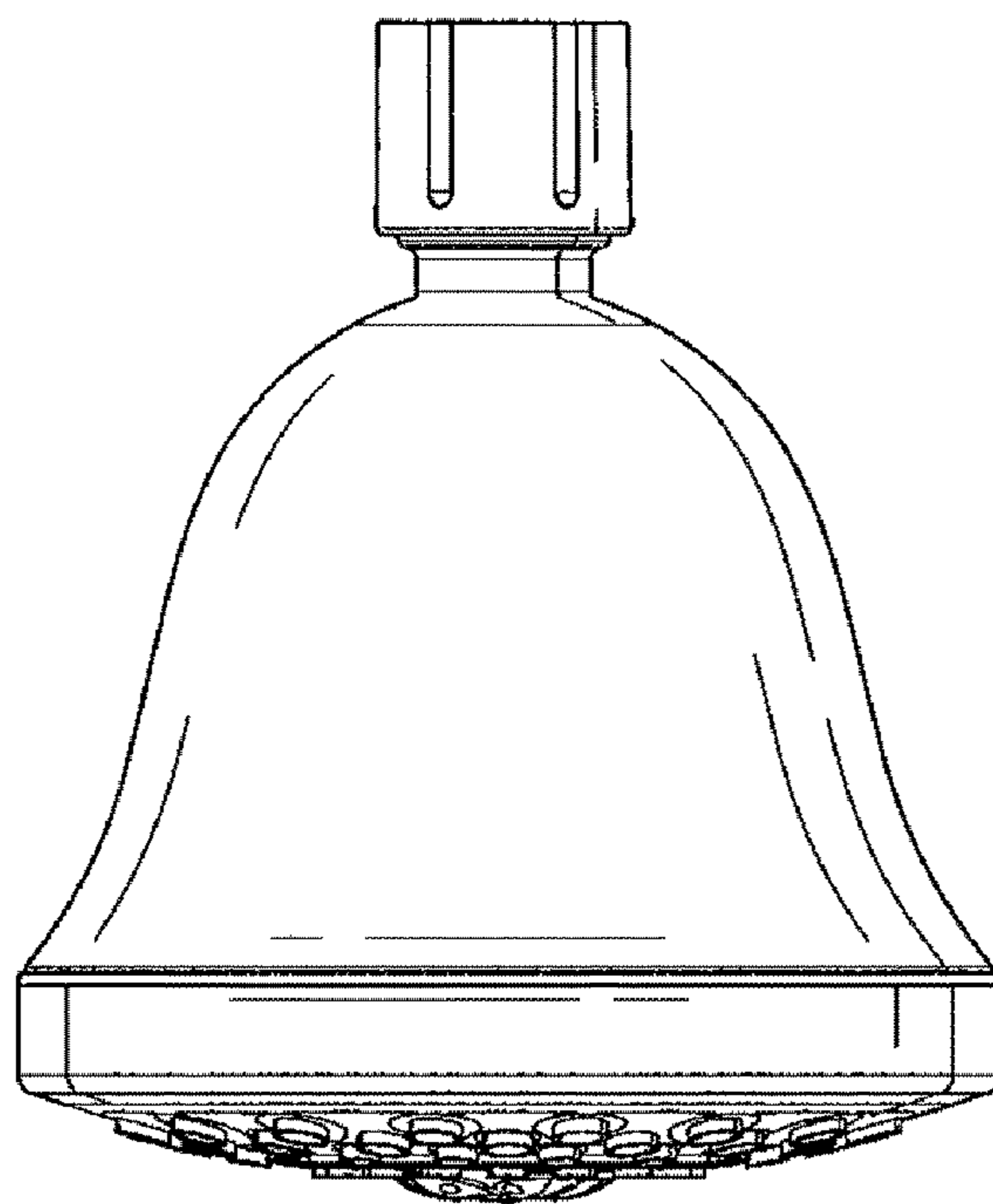


Fig-5

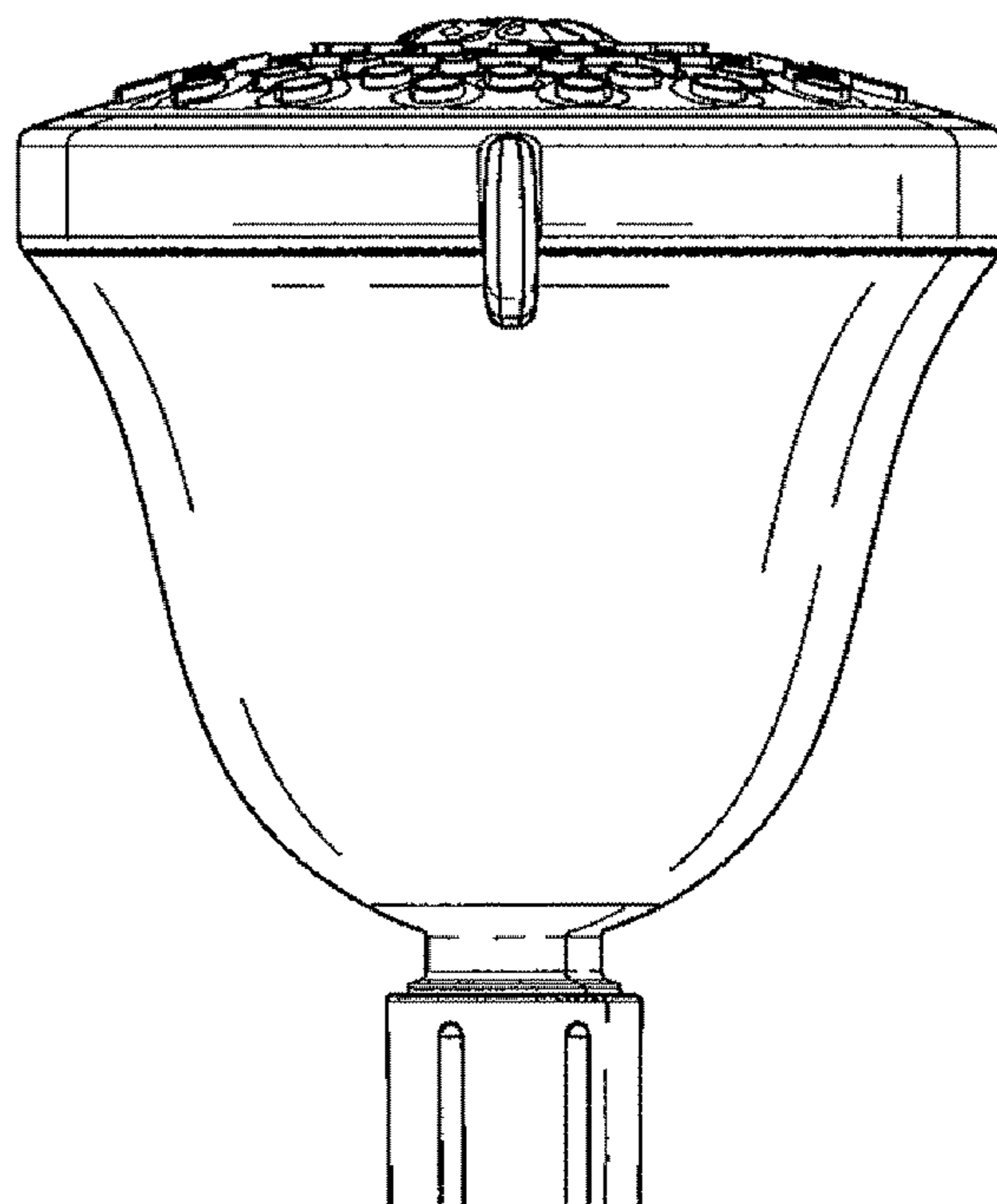


Fig-6