



US00D652111S

(12) **United States Design Patent**
DeLorme

(10) **Patent No.:** **US D652,111 S**
(45) **Date of Patent:** **** Jan. 10, 2012**

(54) **SPRAYER TANK**

(75) **Inventor:** **John D. DeLorme**, Spencerport, NY
(US)

(73) **Assignee:** **Chapin Manufacturing, Inc.**, Batavia,
NY (US)

(**) **Term:** **14 Years**

(21) **Appl. No.:** **29/372,841**

(22) **Filed:** **Jan. 20, 2011**

(51) **LOC (9) Cl.** **23-01**

(52) **U.S. Cl.** **D23/225; D23/202**

(58) **Field of Classification Search** **D23/225,**
D23/213, 202-205; 220/565, 567.1, 586-587,
220/581; 239/208, 310, 332-333

See application file for complete search history.

(56) **References Cited**

U.S. PATENT DOCUMENTS

D190,773 S	6/1961	Koch	
D229,612 S	12/1973	German	
4,690,331 A	9/1987	Luchsinger	
4,798,333 A	1/1989	Luchsinger	
D337,368 S	7/1993	Berfield et al.	
5,335,853 A	8/1994	Wirz	
D406,313 S	3/1999	Prosper et al.	
6,412,707 B1	7/2002	Wirz	
D527,789 S	9/2006	Thompson et al.	
7,104,468 B2	9/2006	Stengel	
7,134,612 B2	11/2006	Bertucci et al.	
D547,416 S	7/2007	Hillhouse	
D570,447 S *	6/2008	Hillhouse	D23/225
D582,000 S	12/2008	Campbell	
D591,387 S *	4/2009	Campbell	D23/202

D604,386 S	11/2009	Campbell	
D609,773 S *	2/2010	Abernethy et al.	D23/202
D616,959 S *	6/2010	Wu	D23/202
7,789,275 B2	9/2010	Englhard et al.	
D643,905 S	8/2011	DeLorme	

OTHER PUBLICATIONS

U.S. Trademark Registration No. 2,596,935.
U.S. Trademark Registration No. 2,587,356.
U.S. Trademark Registration No. 3,311,675.
Solo, Online Troubleshooting/Resource Center, page from www.
solousa.com, printed Mar. 29, 2006.

* cited by examiner

Primary Examiner — Robin V Webster

(74) *Attorney, Agent, or Firm* — Kenneth J. Lukacher;
Martin Lukacher

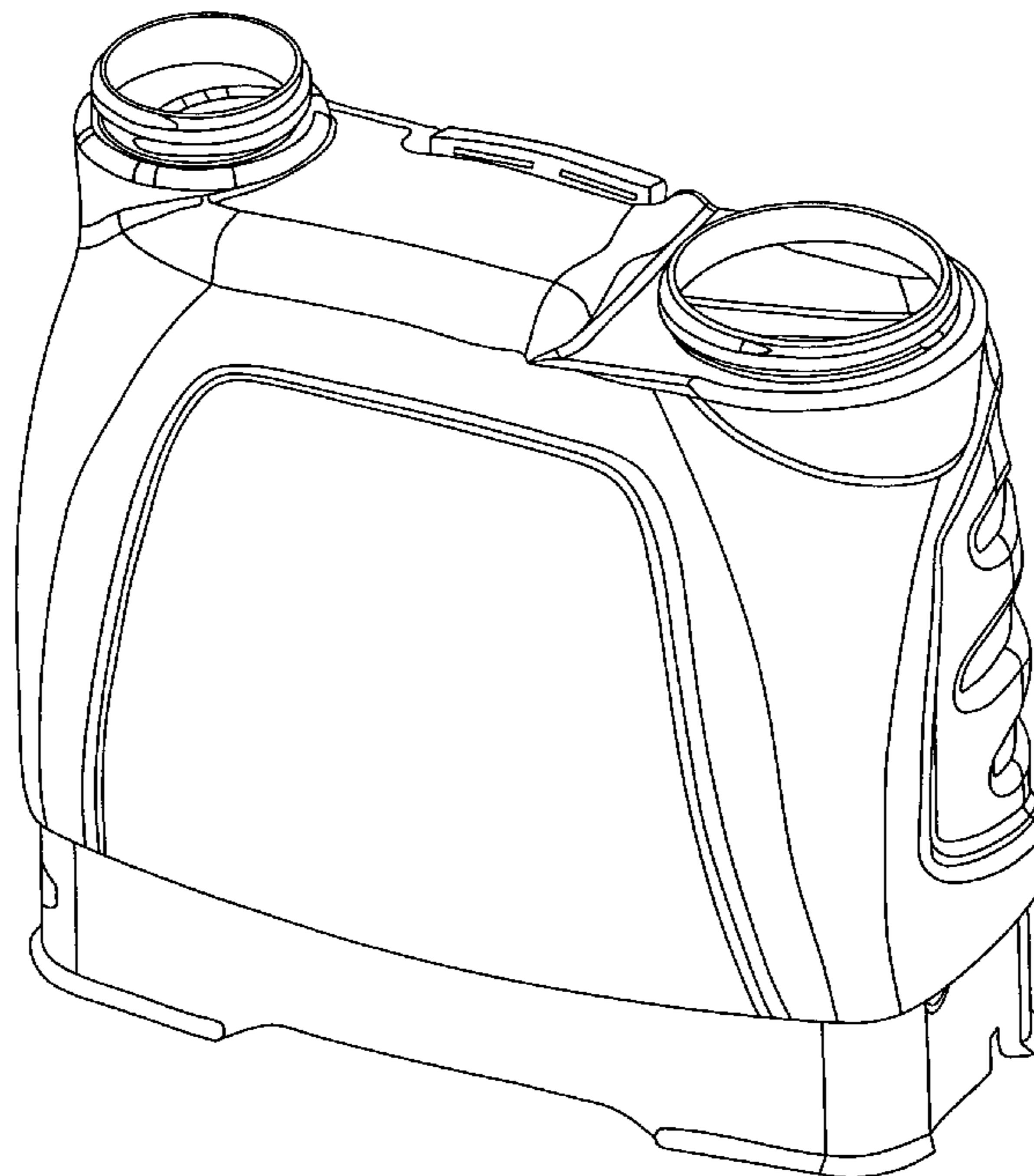
(57) **CLAIM**

The ornamental design for a sprayer tank, as shown and
described.

DESCRIPTION

FIG. 1 is a perspective view looking downwardly toward the
top from the left of a sprayer tank in accordance with my
design;
FIG. 2 is a front elevation thereof;
FIG. 3 is a rear elevation thereof;
FIG. 4 is a side elevation taken from the left side thereof as
shown in FIG. 1;
FIG. 5 is a side elevation taken from the right side thereof as
shown in FIG. 1;
FIG. 6 is a bottom view thereof; and,
FIG. 7 is a top view thereof.

1 Claim, 7 Drawing Sheets



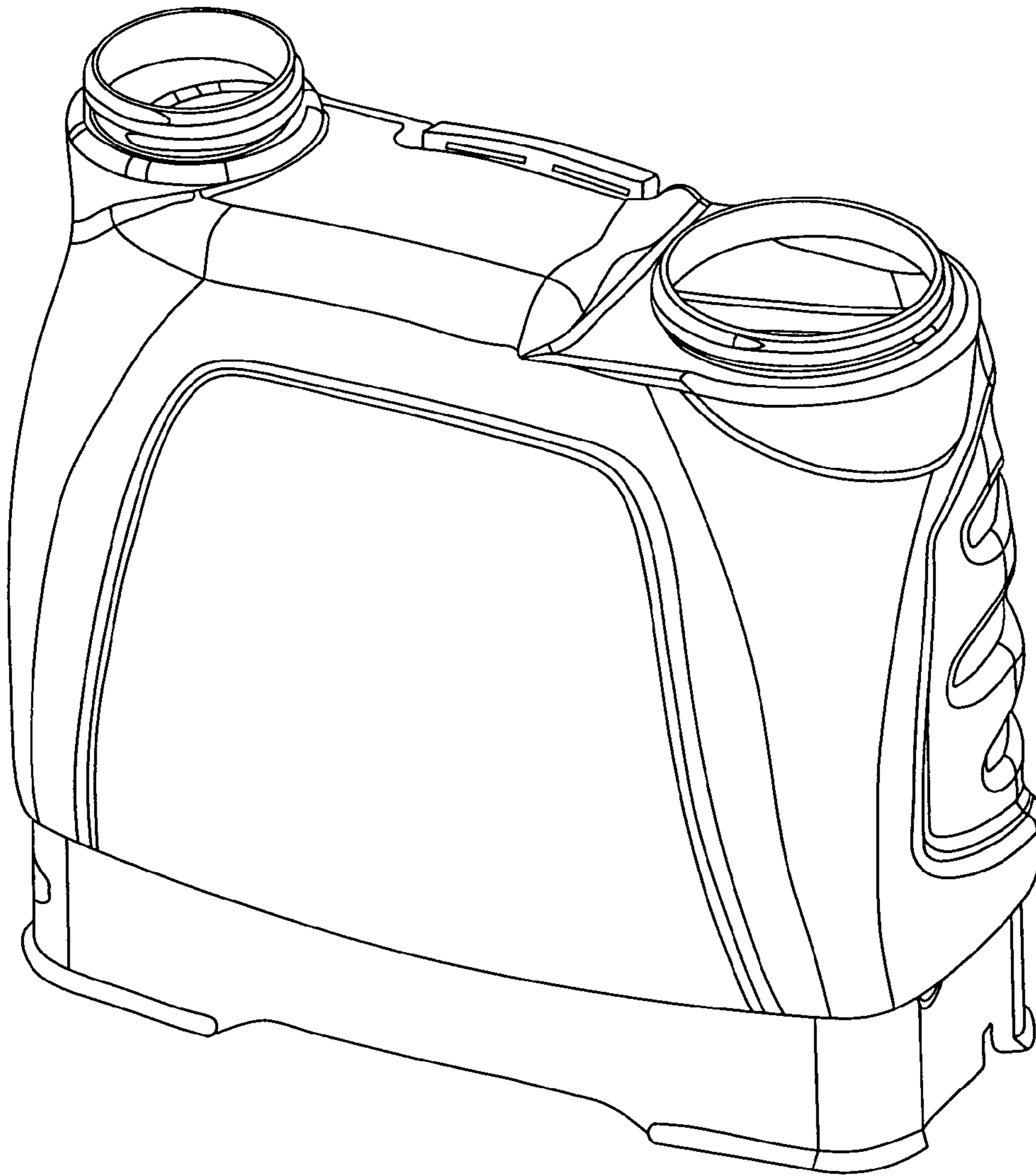


FIG. 1

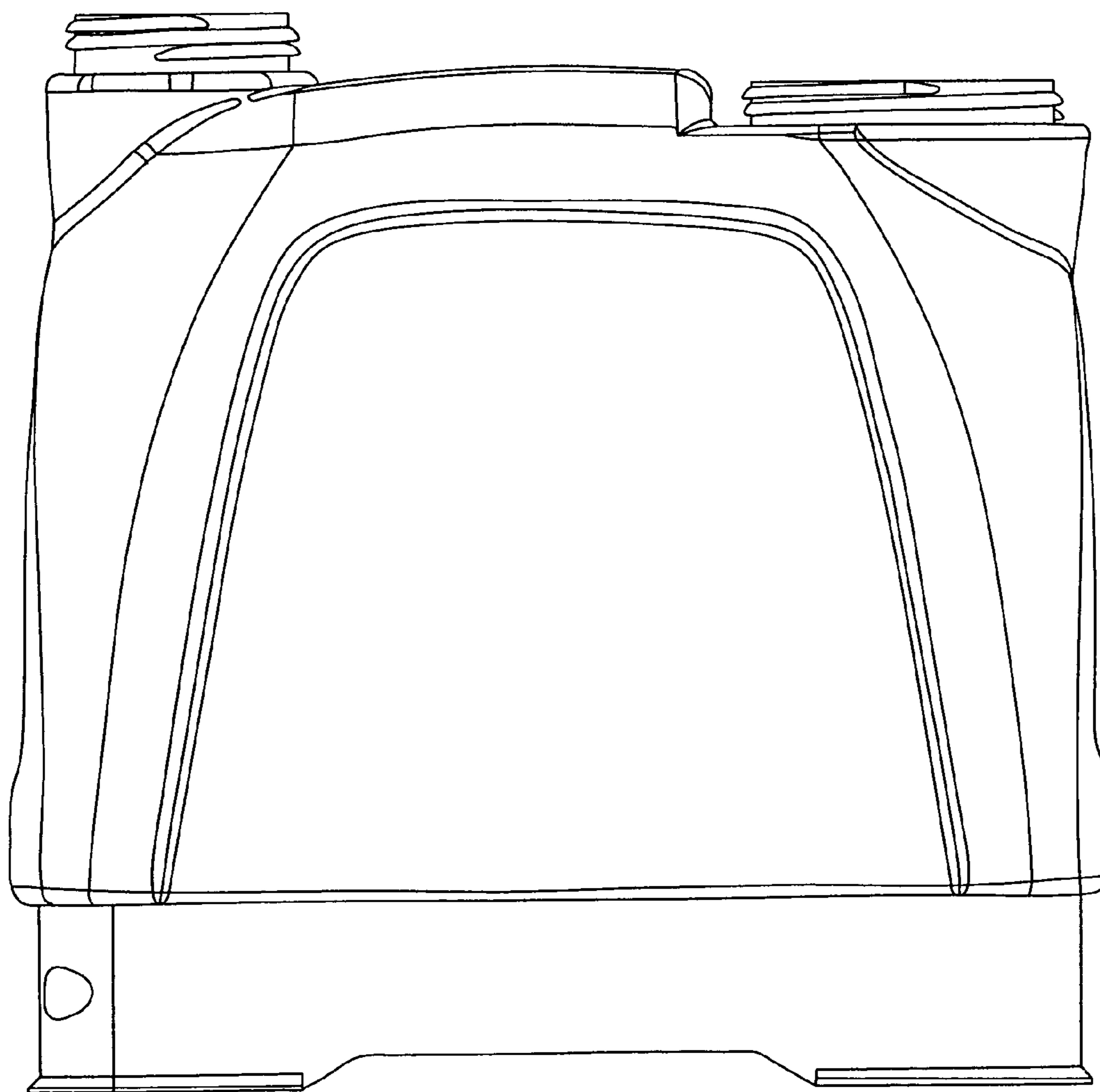


FIG. 2

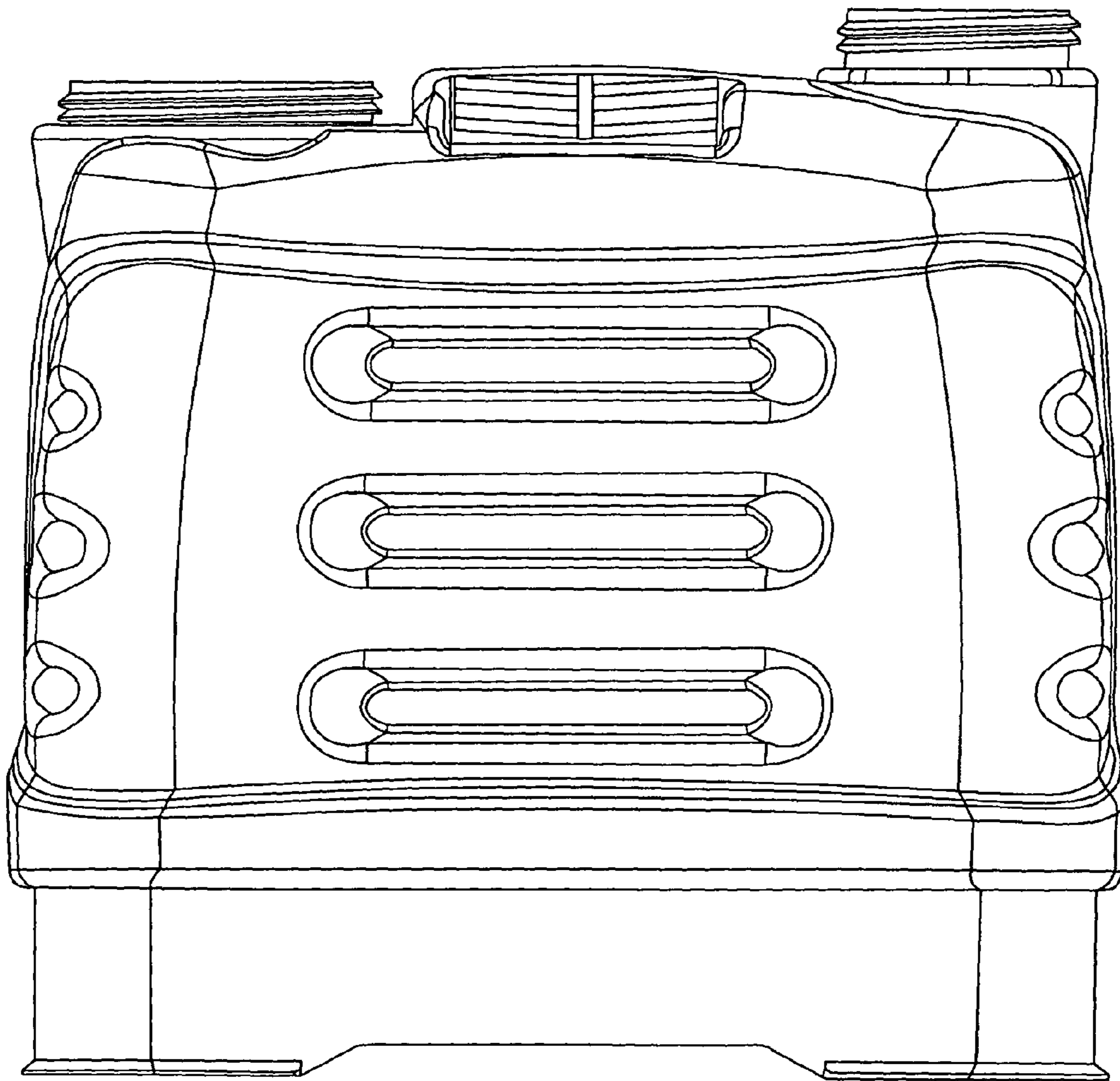


FIG. 3

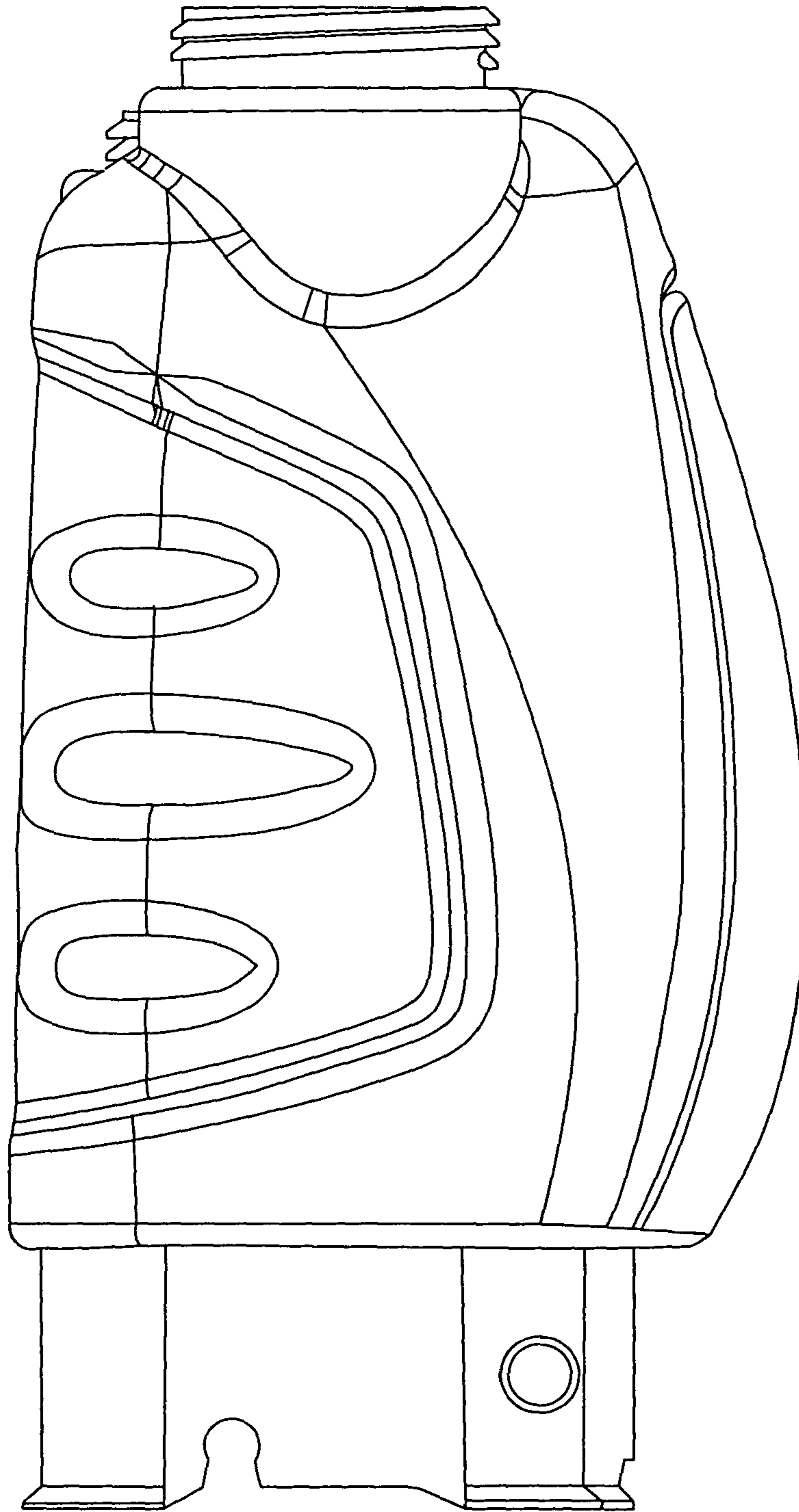


FIG. 4

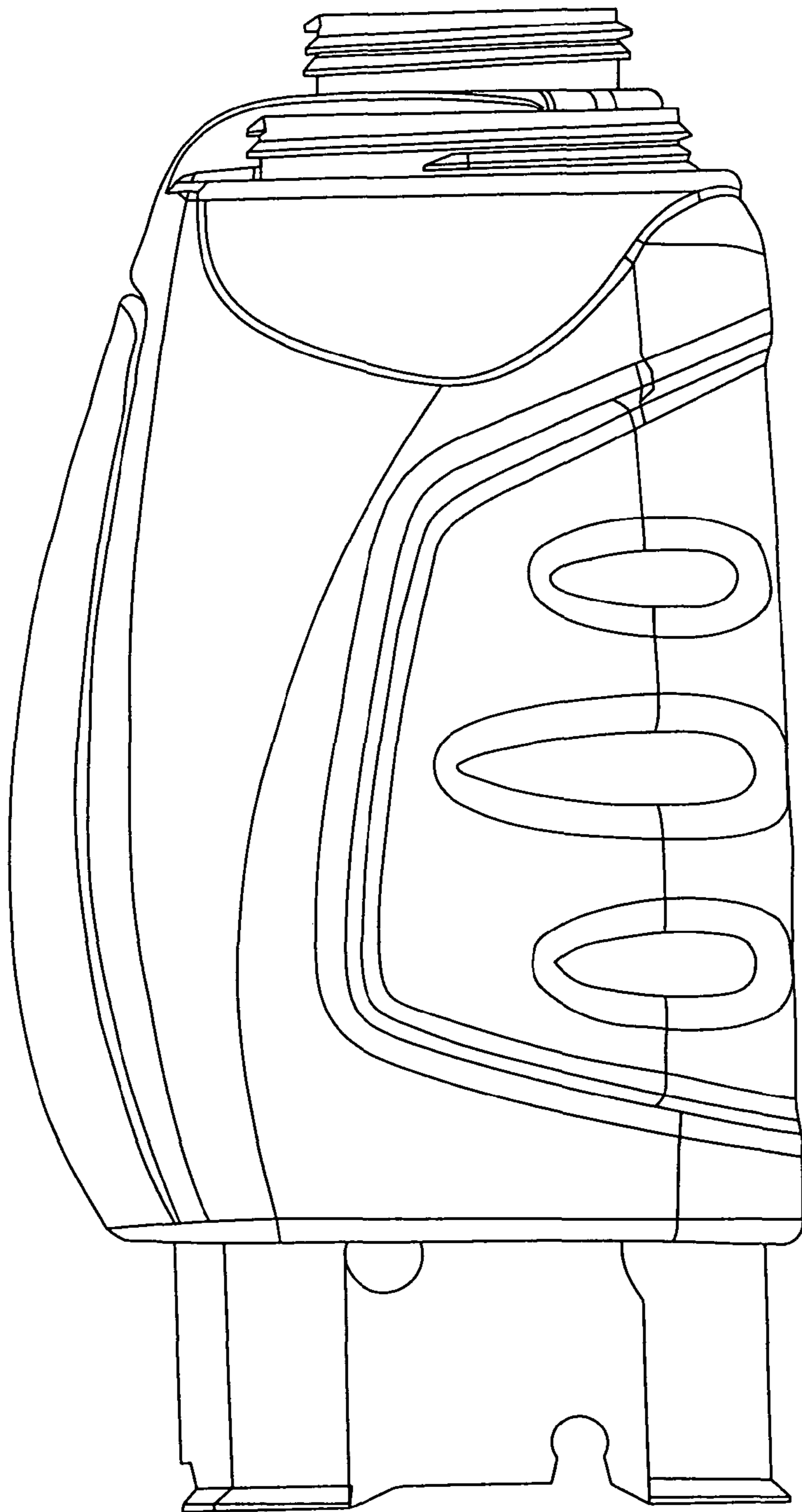


FIG. 5

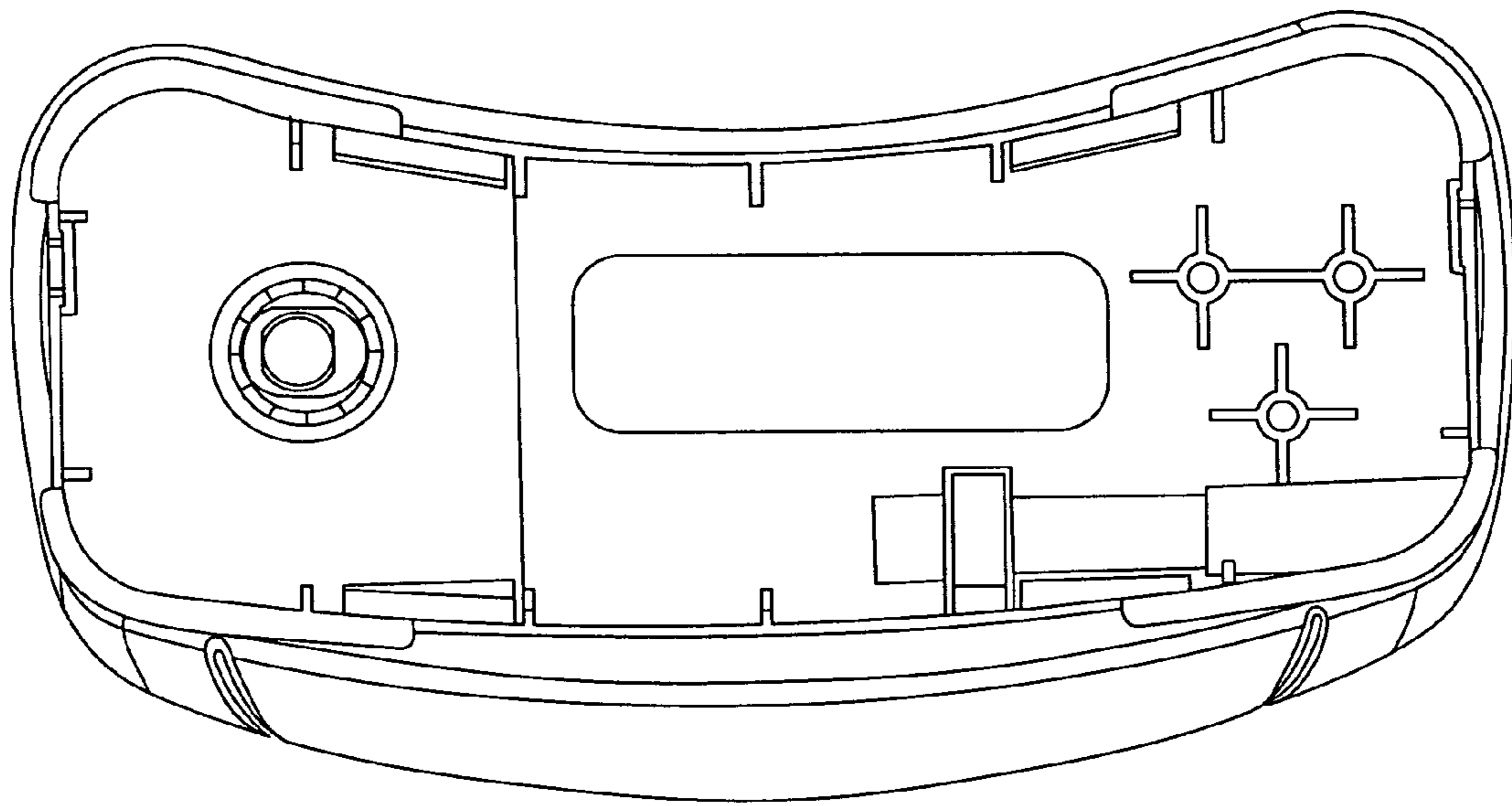


FIG. 6

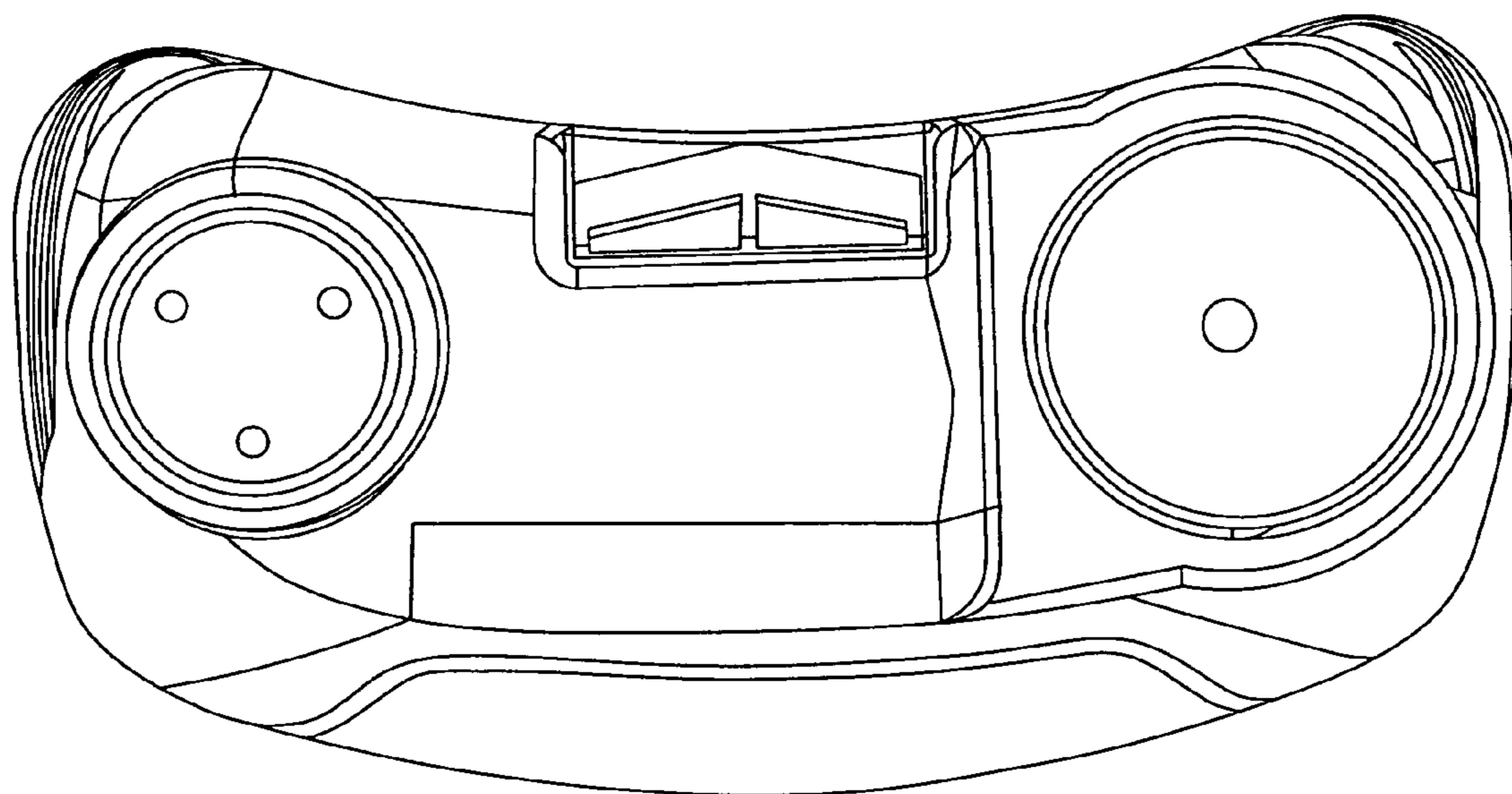


FIG. 7