



US00D652110S

(12) **United States Design Patent**
Nichols

(10) **Patent No.:** **US D652,110 S**

(45) **Date of Patent:** **** Jan. 10, 2012**

(54) **HANDHELD SHOWER**

(75) Inventor: **Stephen Nichols**, West Lafayette, IN (US)

(73) Assignee: **Masco Corporation of Indiana**, Indianapolis, IN (US)

(**) Term: **14 Years**

(21) Appl. No.: **29/390,028**

(22) Filed: **Apr. 19, 2011**

(51) **LOC (9) Cl.** **23-01**

(52) **U.S. Cl.** **D23/223**

(58) **Field of Classification Search** D23/213, D23/223, 226, 229, 230; 239/394, 462; 4/615
See application file for complete search history.

(56) **References Cited**

U.S. PATENT DOCUMENTS

D228,908 S	*	10/1973	Juhlin	D23/223
D495,028 S	*	8/2004	Jorgensen et al.	D23/223
D529,986 S	*	10/2006	Chan	D23/213
D555,229 S	*	11/2007	Wrobleski et al.	D23/223
D557,766 S	*	12/2007	Hoernig	D23/223
D575,845 S	*	8/2008	Lobermeier et al.	D23/223
D578,181 S	*	10/2008	Pan	D23/213
D599,883 S	*	9/2009	Tippens	D23/223

D604,392 S	*	11/2009	Schoenherr et al.	D23/223
D626,194 S	*	10/2010	Kakahana et al.	D23/213
D633,174 S	*	2/2011	Lee	D23/213

* cited by examiner

Primary Examiner — Robin V Webster

(74) *Attorney, Agent, or Firm* — Edgar A. Zarins; Nirav D. Parikh; Lora J. Graentzdoerffer

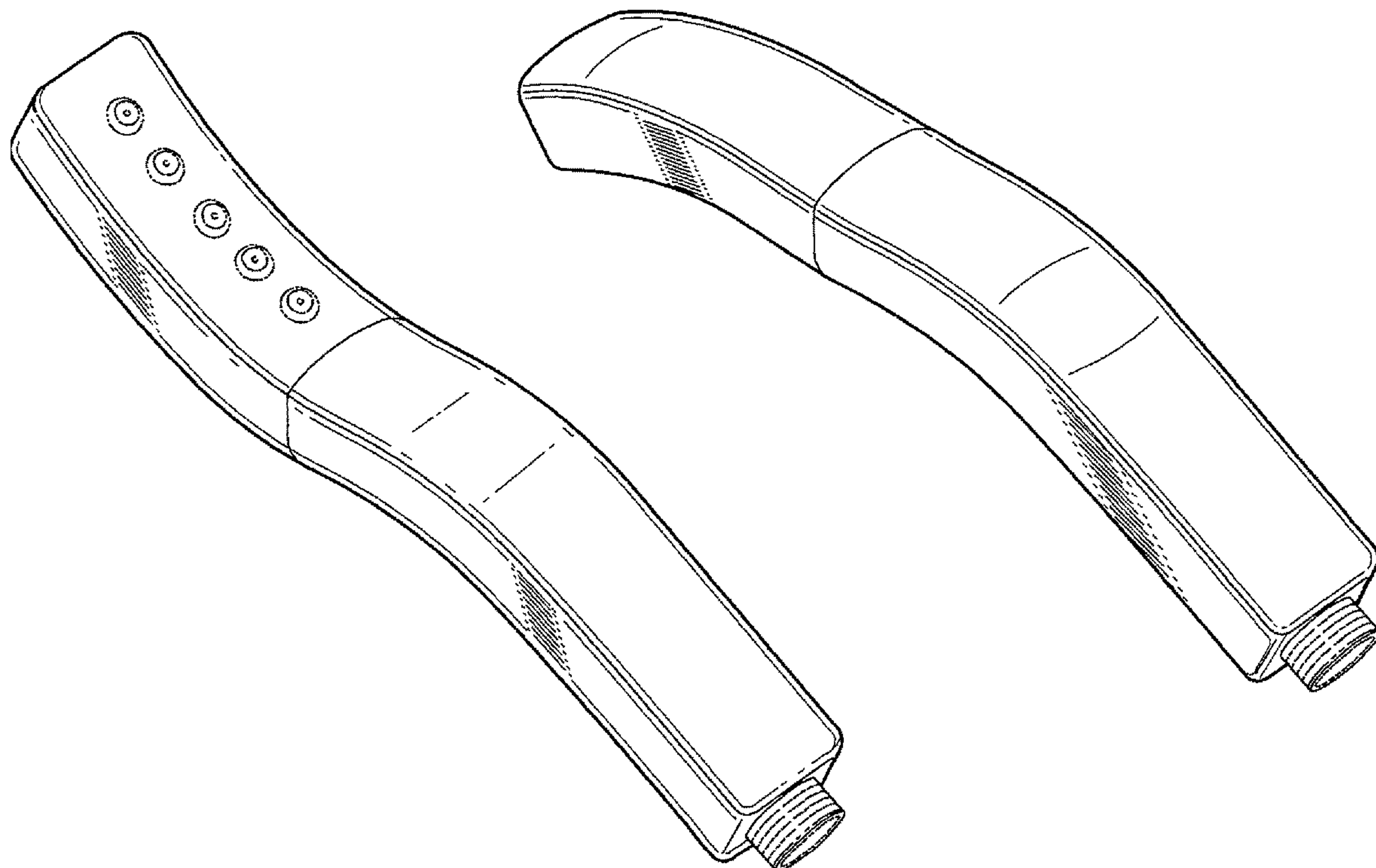
(57) **CLAIM**

The ornamental design for a handheld shower, as shown and described.

DESCRIPTION

FIG. 1 is a front plan view of a handheld shower showing my new design;
FIG. 2 is a right side view thereof, the opposite side being a mirror image of the side shown;
FIG. 3 is a rear view thereof;
FIG. 4 is a first end view thereof;
FIG. 5 is a second end view thereof;
FIG. 6 is a perspective view thereof;
FIG. 7 is a perspective view of the handheld shower in a secondary position;
FIG. 8 is a front plan view thereof; and,
FIG. 9 is a right side view thereof, the opposite side being a mirror image of the side shown.

1 Claim, 3 Drawing Sheets



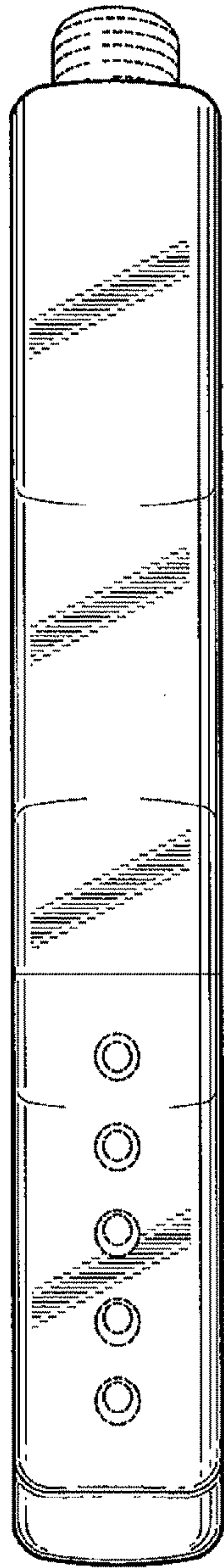


Fig-1

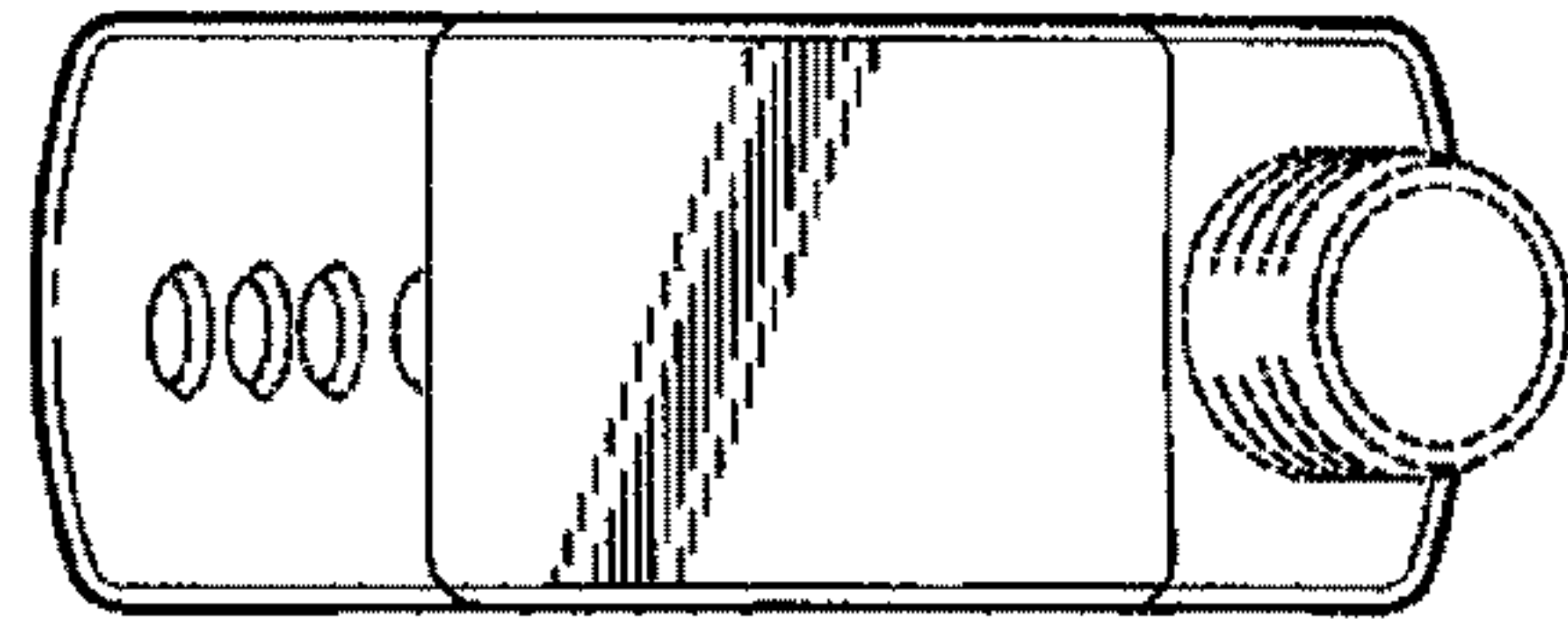


Fig-5

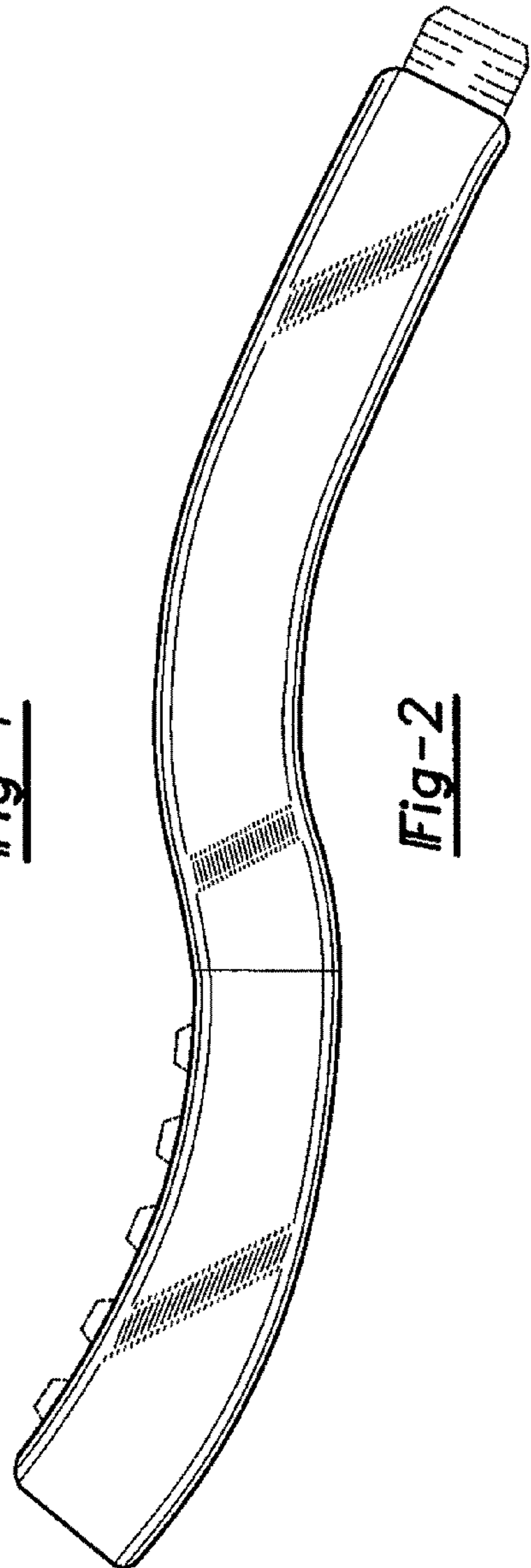


Fig-2

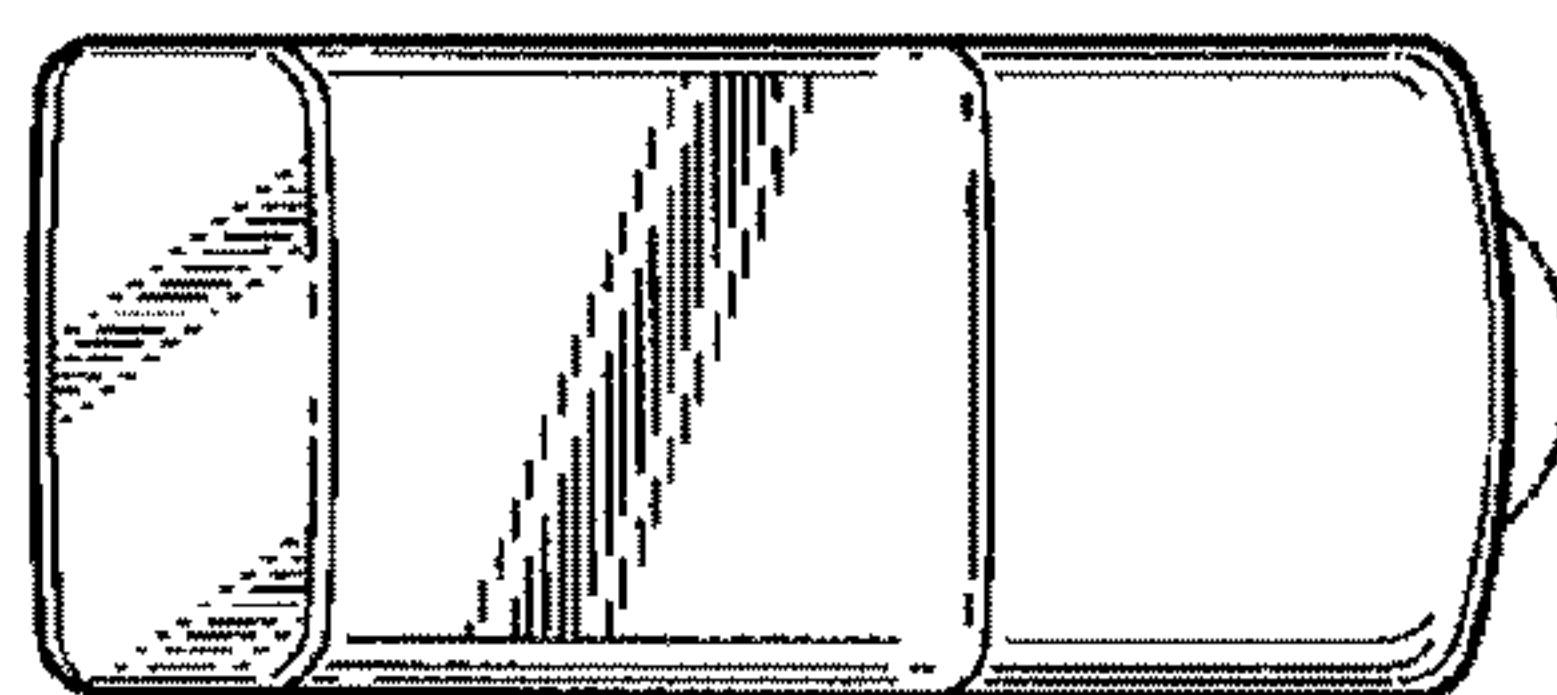


Fig-4

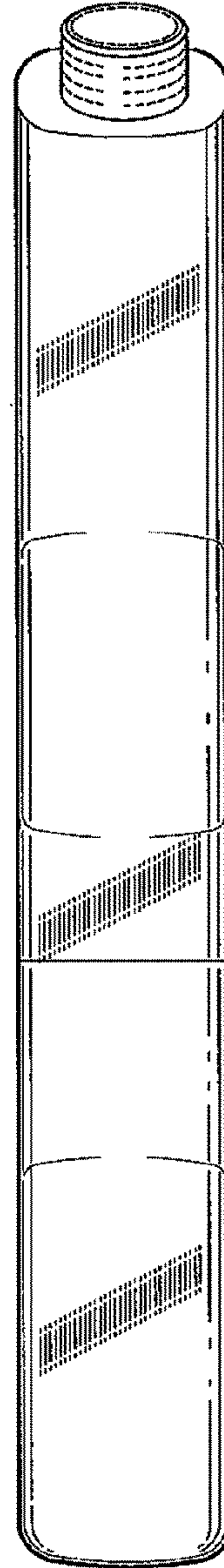


Fig-3

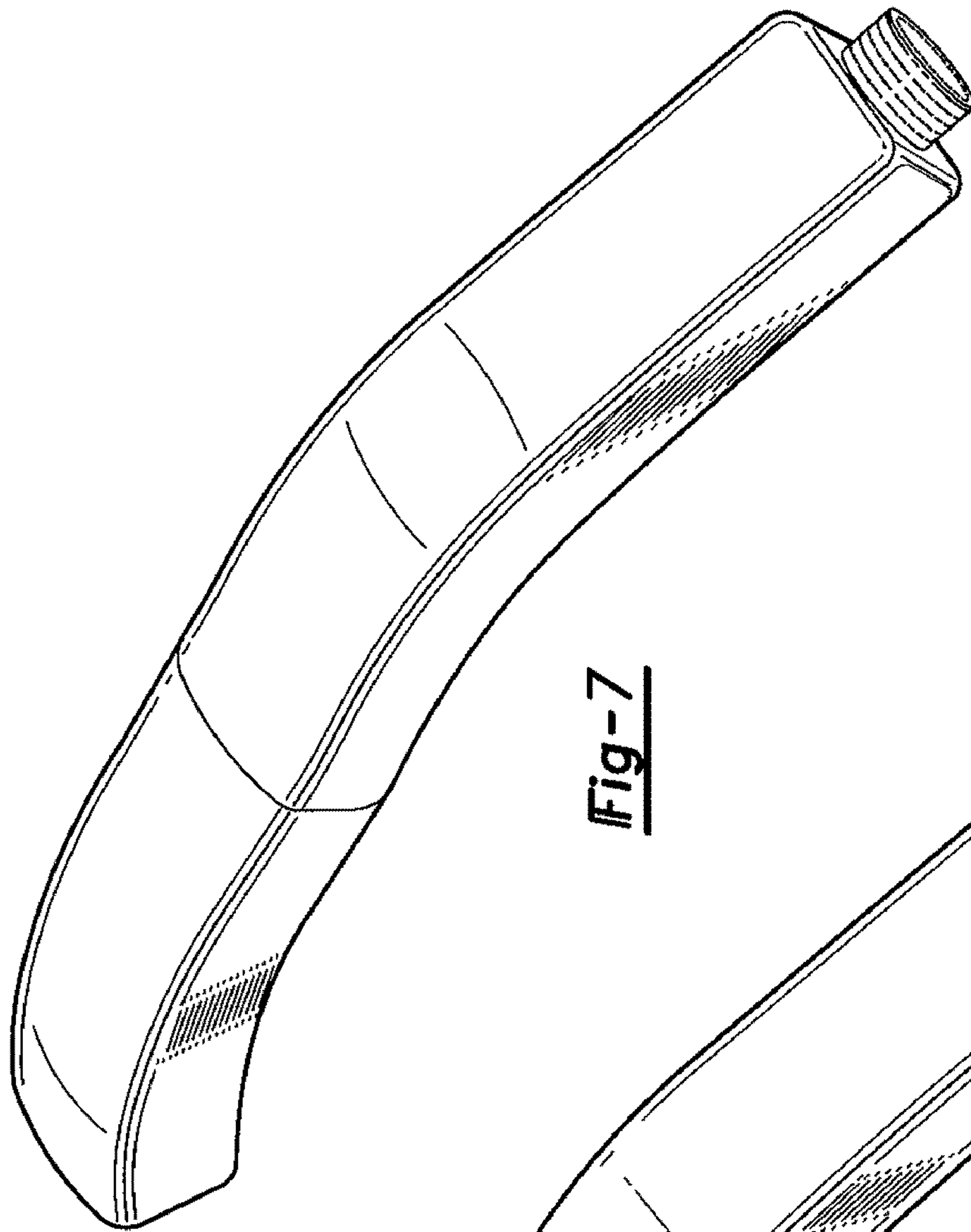


Fig-7

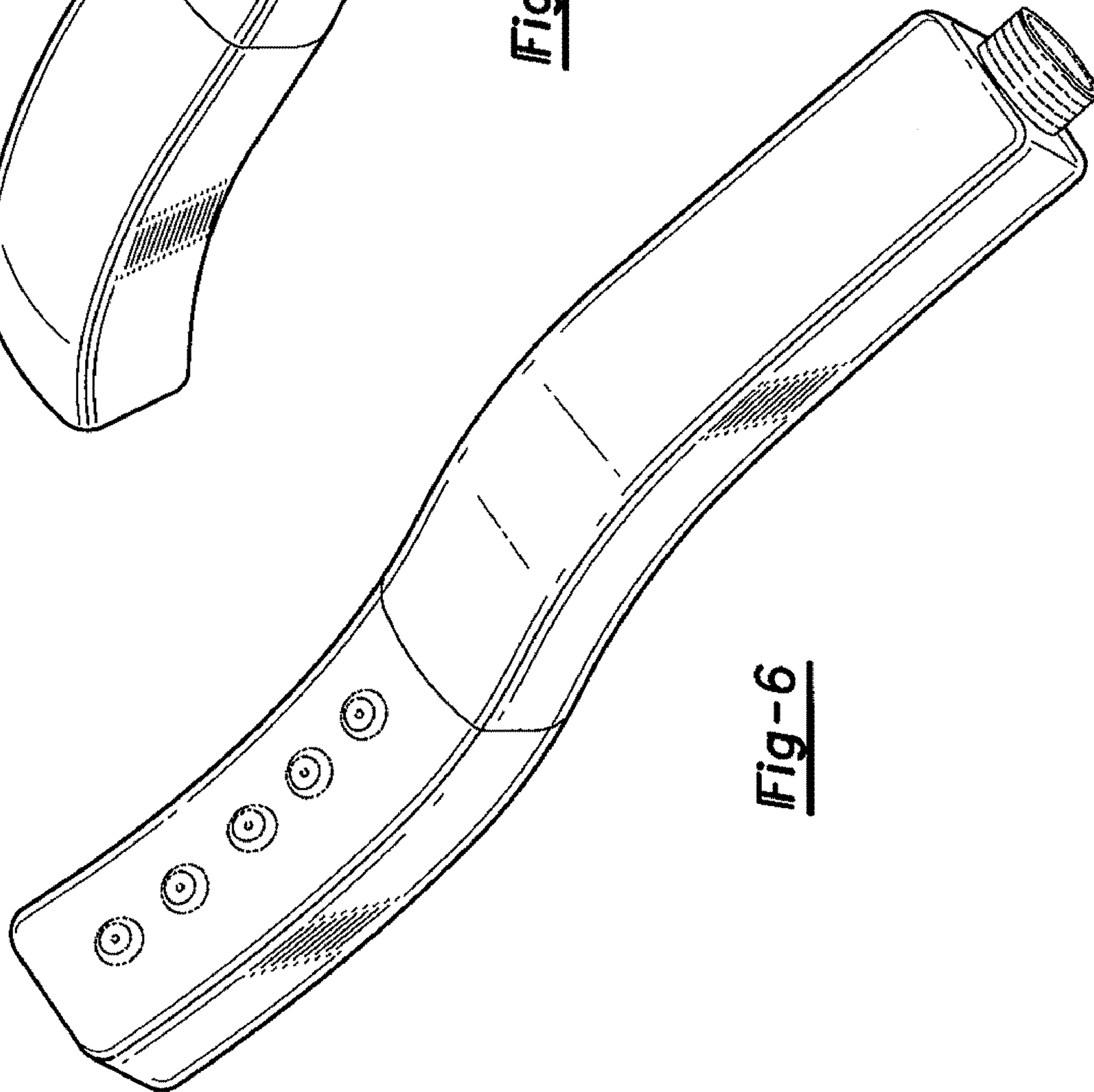


Fig-6

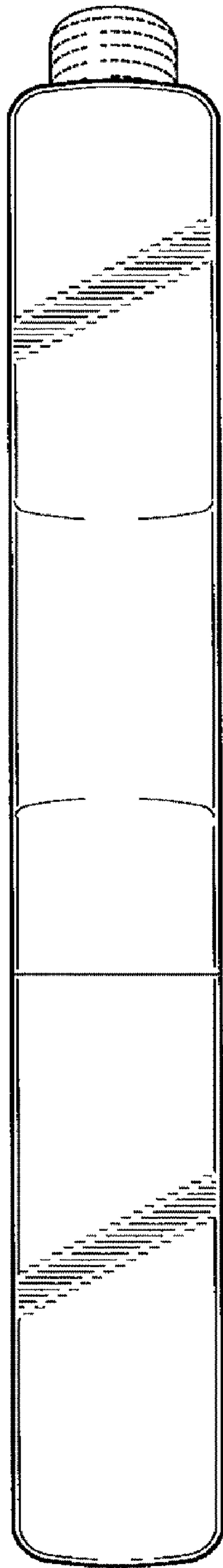


Fig-8

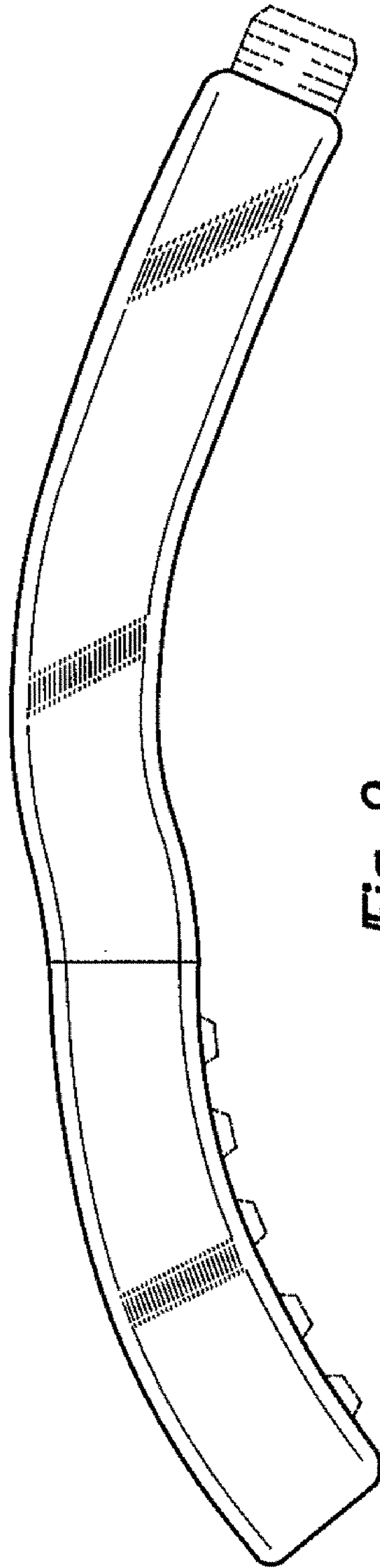


Fig-9