



US00D652108S

(12) **United States Design Patent**  
**Eads et al.**

(10) **Patent No.:** **US D652,108 S**

(45) **Date of Patent:** **\*\* Jan. 10, 2012**

(54) **HANDHELD SHOWER**

(75) Inventors: **Thad James Eads**, Lagro, IN (US);  
**Stephen Nichols**, West Lafayette, IN (US)

(73) Assignee: **Masco Corporation of Indiana**, Indianapolis, IN (US)

(\*\*) Term: **14 Years**

(21) Appl. No.: **29/390,013**

(22) Filed: **Apr. 19, 2011**

(51) **LOC (9) Cl.** ..... **23-01**

(52) **U.S. Cl.** ..... **D23/223**

(58) **Field of Classification Search** ..... D23/213,  
D23/223, 226, 229, 230; 239/394, 462; 4/615  
See application file for complete search history.

(56) **References Cited**

U.S. PATENT DOCUMENTS

D228,908 S	*	10/1973	Juhlin	.....	D23/223
D495,028 S	*	8/2004	Jorgensen et al.	.....	D23/223
D529,986 S	*	10/2006	Chan	.....	D23/213
D555,229 S	*	11/2007	Wroblewski et al.	.....	D23/223
D557,766 S	*	12/2007	Hoernig et al.	.....	D23/223
D575,845 S	*	8/2008	Lobermeier et al.	.....	D23/223
D578,181 S	*	10/2008	Pan	.....	D23/213
D599,883 S	*	9/2009	Tippens	.....	D23/223

D604,392 S	*	11/2009	Schoenherr et al.	.....	D23/223
D626,194 S	*	10/2010	Kakahana et al.	.....	D23/213
D633,174 S	*	2/2011	Lee	.....	D23/213

\* cited by examiner

*Primary Examiner* — Robin V Webster

(74) *Attorney, Agent, or Firm* — Edgar A. Zarins; Nirav D. Parikh; Lora J. Graentzdoerffer

(57) **CLAIM**

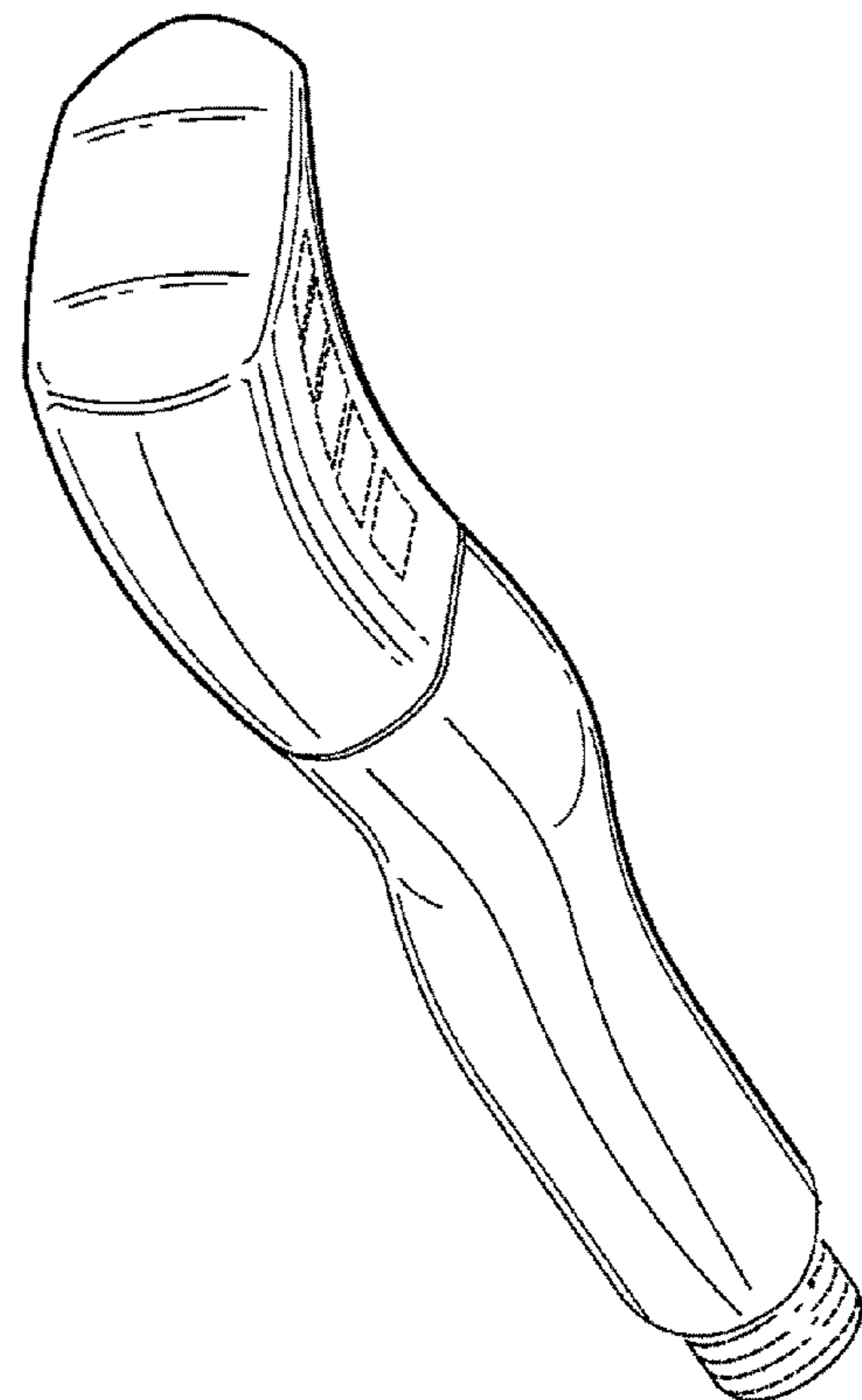
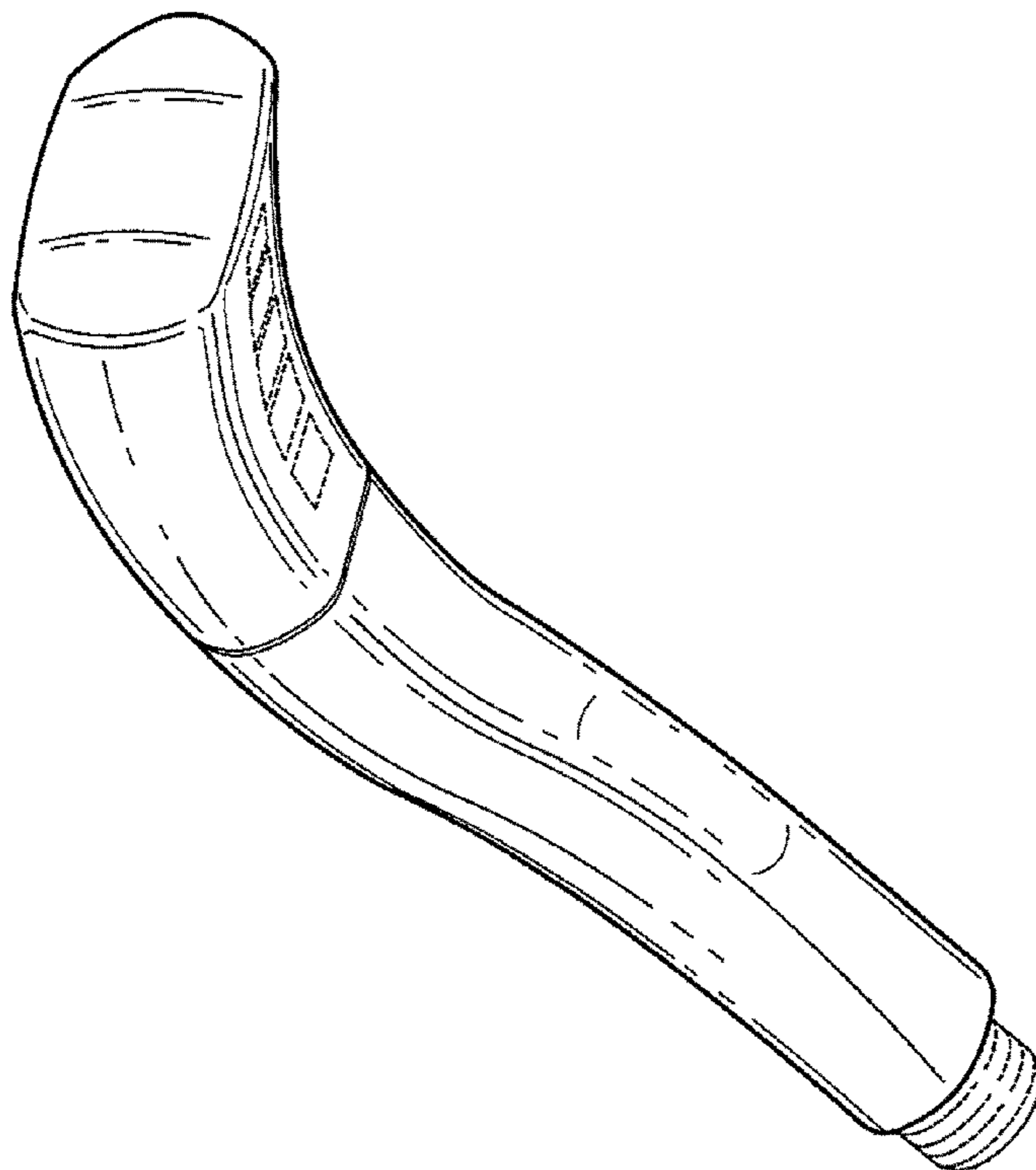
The ornamental design for a handheld shower, as shown and described.

**DESCRIPTION**

FIG. 1 is a front elevational view of a handheld shower showing our new design;  
FIG. 2 is a right side view thereof, the opposite side being a mirror image of the side shown;  
FIG. 3 is a rear view thereof;  
FIG. 4 is a top end view thereof;  
FIG. 5 is a bottom end view thereof;  
FIG. 6 is a perspective view thereof in a first position;  
FIG. 7 is a perspective view thereof in a second position;  
FIG. 8 is a rear view thereof; and,  
FIG. 9 is a right side view thereof.

The broken line showing of water nozzles is included for the purpose of illustrating and forms no part of the claimed design.

**1 Claim, 3 Drawing Sheets**



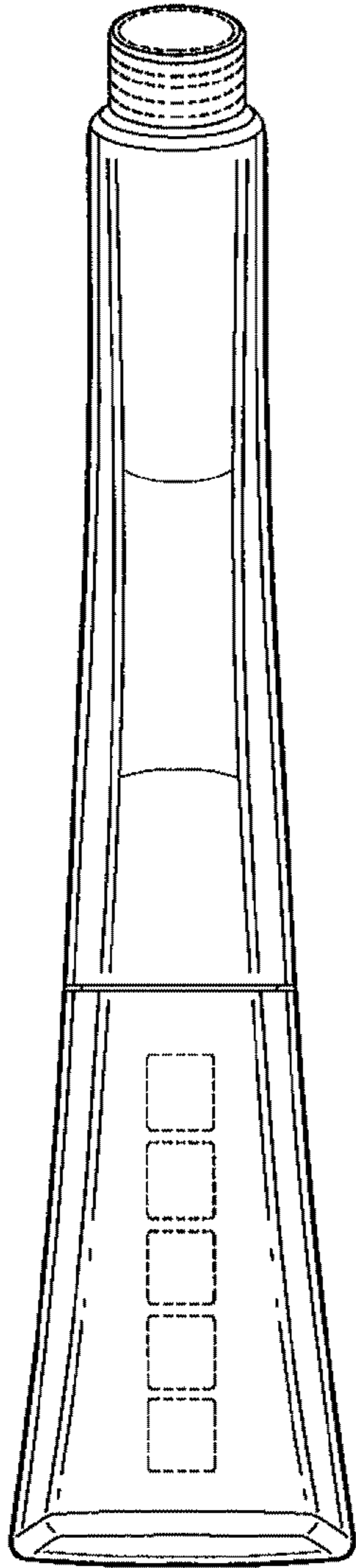


Fig-1

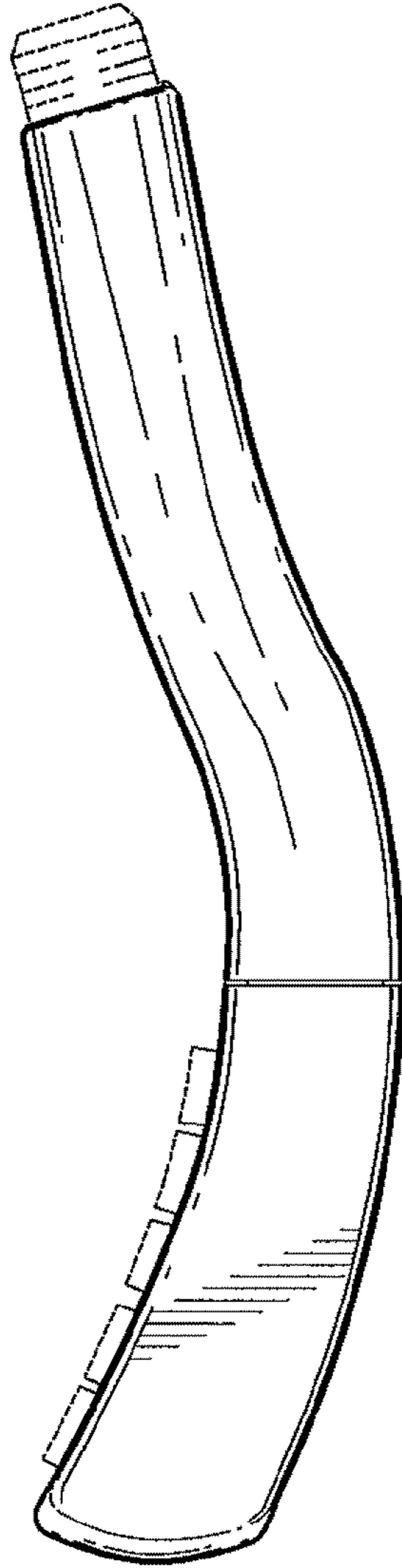


Fig-2

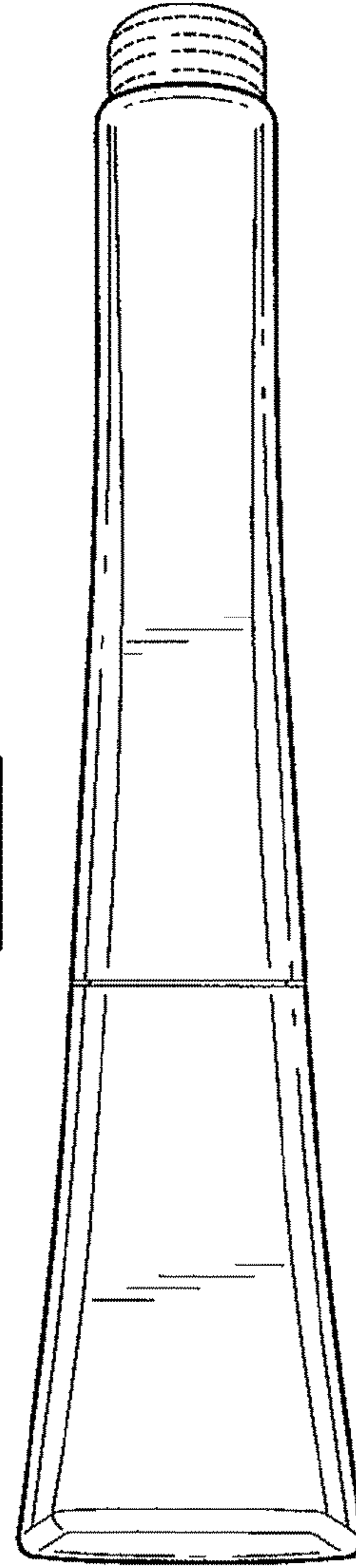


Fig-3

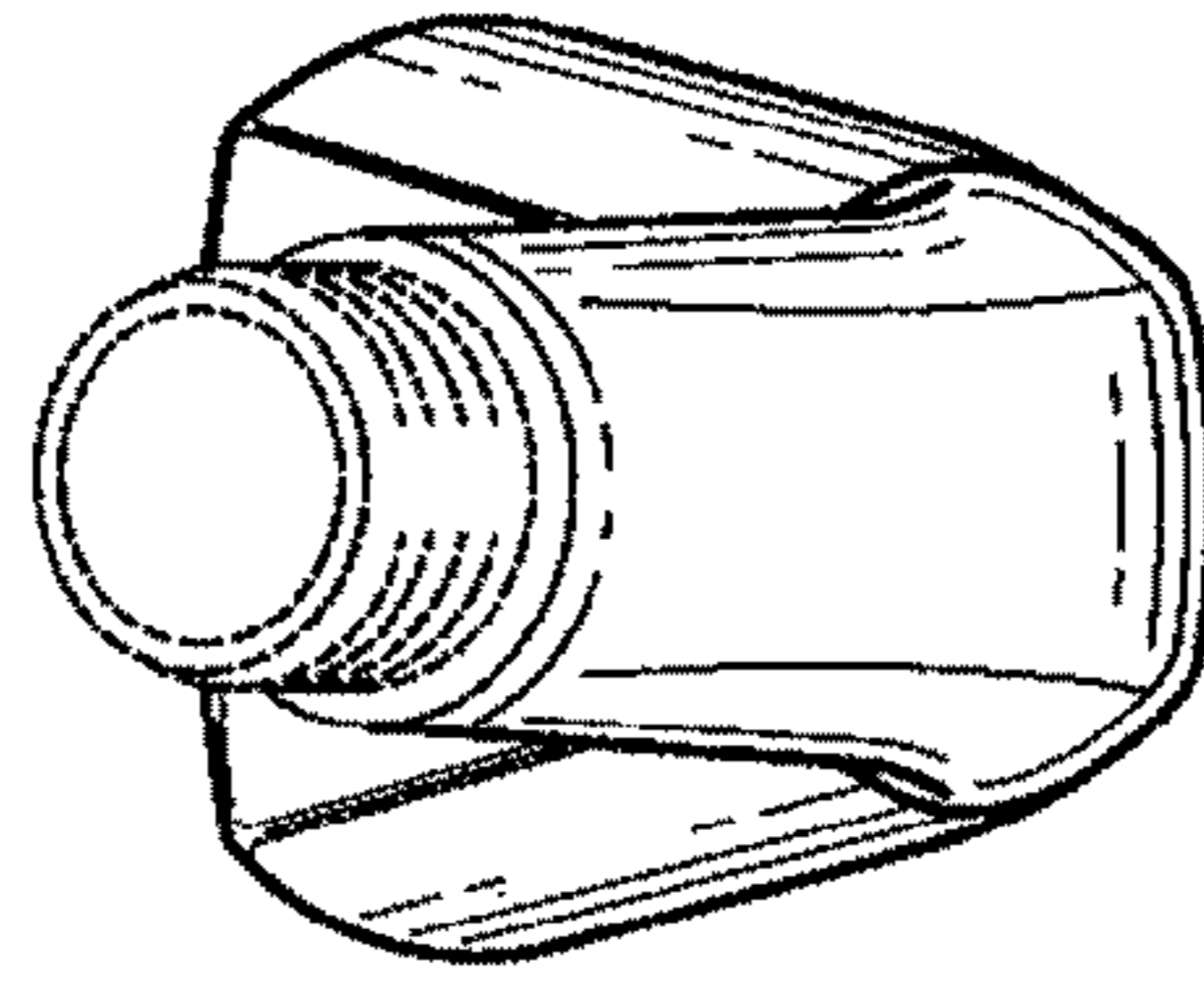


Fig-5

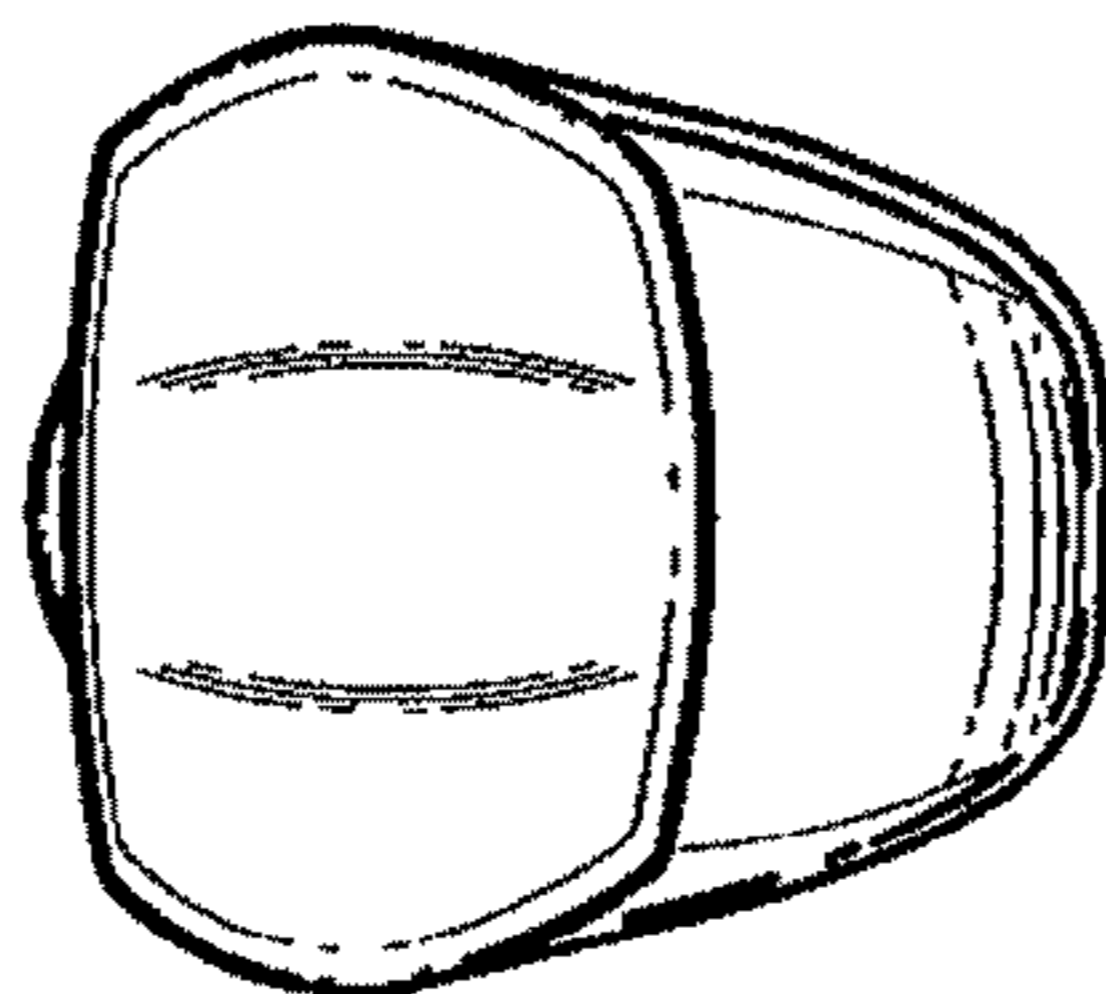


Fig-4

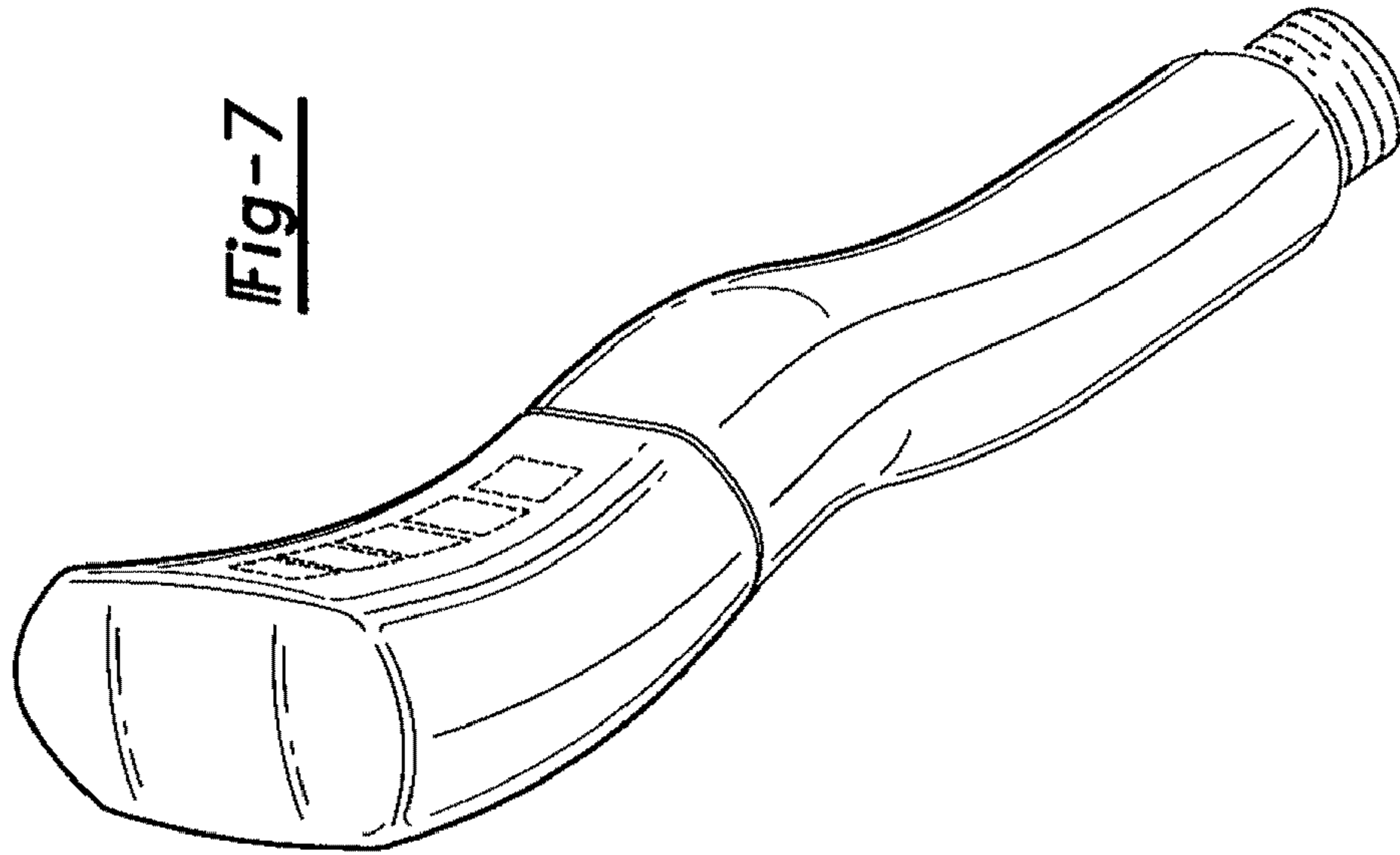


Fig-7

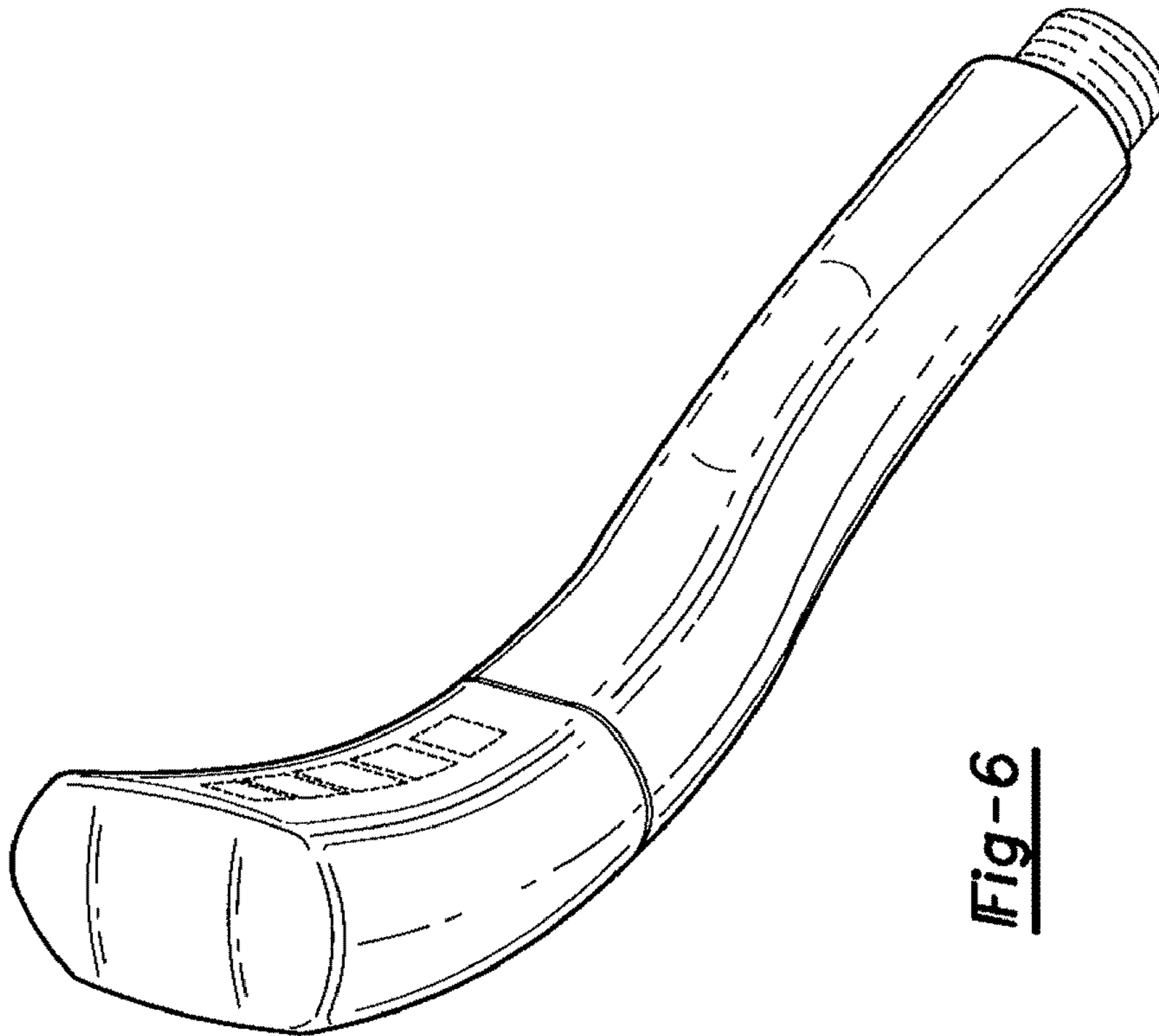


Fig-6

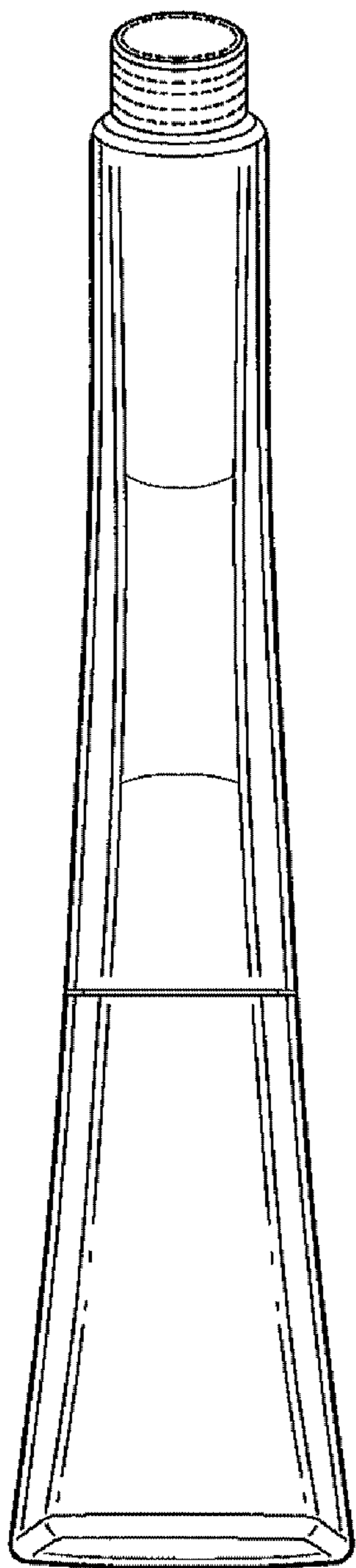


Fig-8

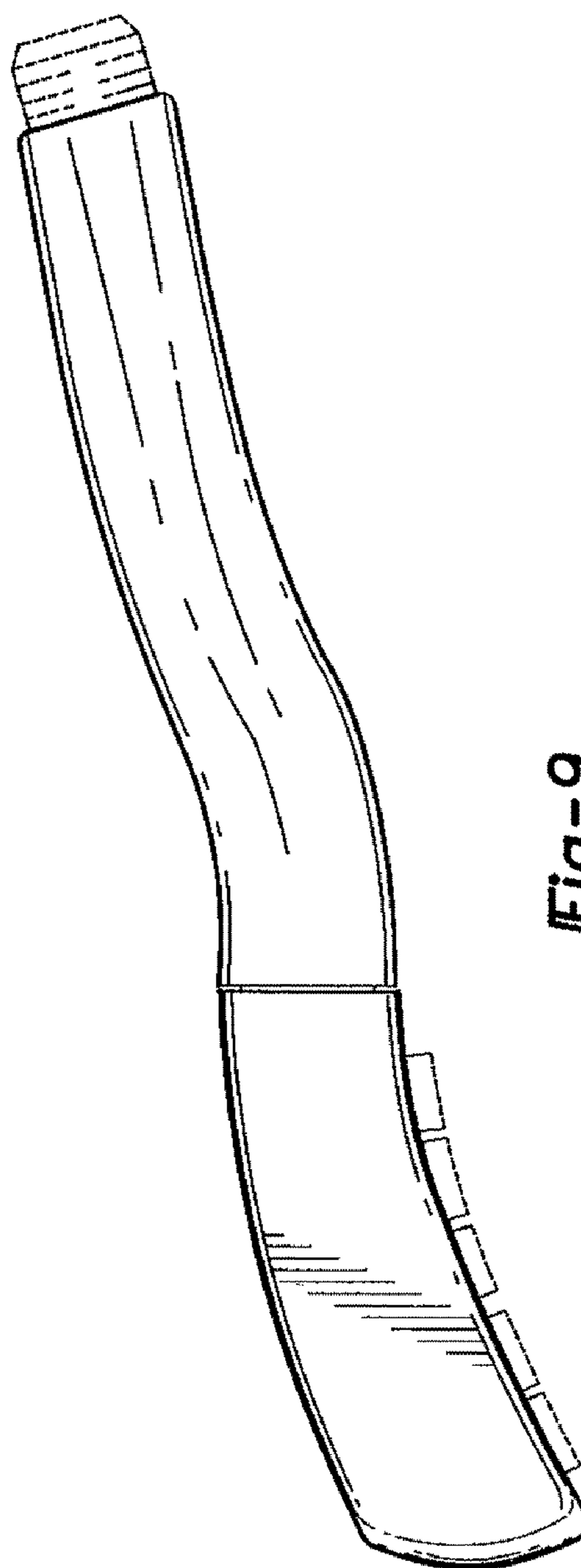


Fig-9