



US00D652107S

(12) **United States Design Patent**
Wang

(10) **Patent No.:** **US D652,107 S**
(45) **Date of Patent:** **** Jan. 10, 2012**

(54) **WATER NOZZLE**

(76) Inventor: **Chialeh Wang**, Cerritos, CA (US)

(**) Term: **14 Years**

(21) Appl. No.: **29/394,380**

(22) Filed: **Jun. 16, 2011**

(51) **LOC (9) Cl.** **23-01**

(52) **U.S. Cl.** **D23/213**

(58) **Field of Classification Search** D23/213;
141/314; 239/569, DIG. 22, 291
See application file for complete search history.

(56) **References Cited**

U.S. PATENT DOCUMENTS

D371,426 S * 7/1996 Darin D23/213
D372,070 S * 7/1996 Zak et al. D23/213

6,408,902 B1 * 6/2002 Liao 141/313
7,028,927 B2 * 4/2006 Mermet 239/569
7,861,750 B2 * 1/2011 Py et al. 141/314

* cited by examiner

Primary Examiner — Robin V Webster

(74) *Attorney, Agent, or Firm* — Clement Cheng

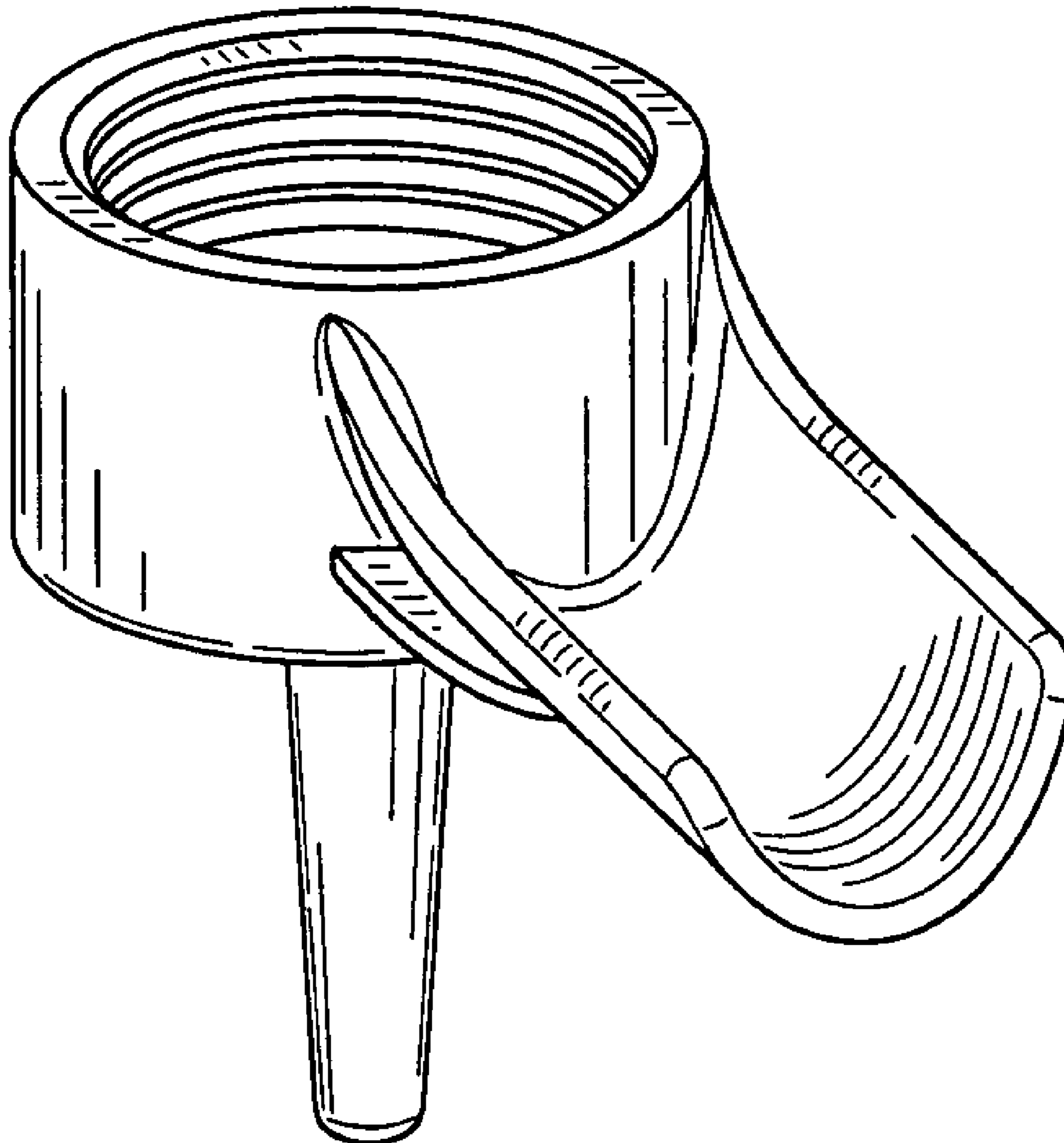
(57) **CLAIM**

The ornamental design for a water nozzle, as shown and described.

DESCRIPTION

FIG. 1 is a perspective view.
FIG. 2 is a front perspective view.
FIG. 3 is a rear side perspective view.
FIG. 4 is a left side perspective view.
FIG. 5 is a right side perspective view.
FIG. 6 is a bottom view; and,
FIG. 7 is a top view.

1 Claim, 3 Drawing Sheets



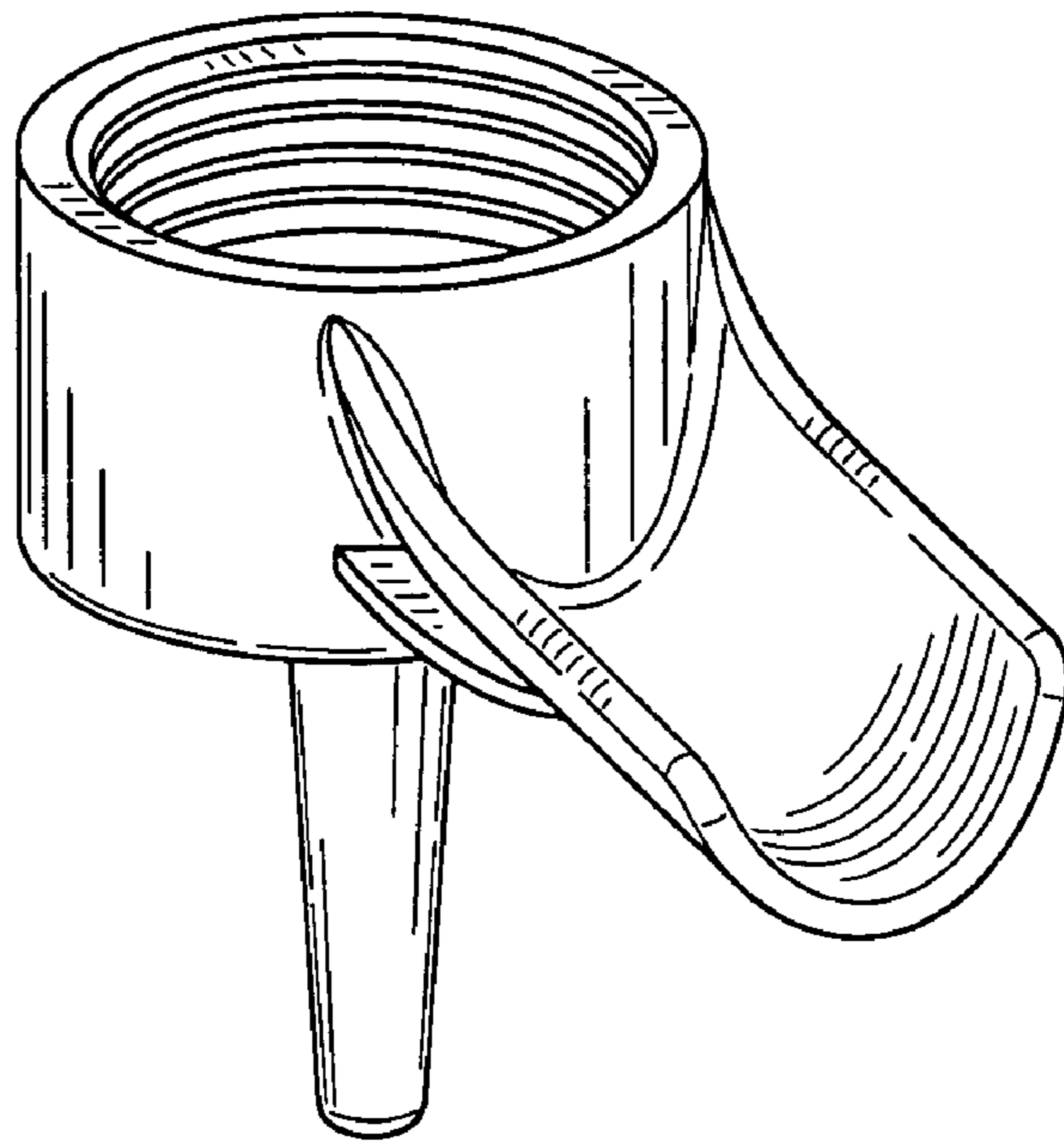


FIG. 1

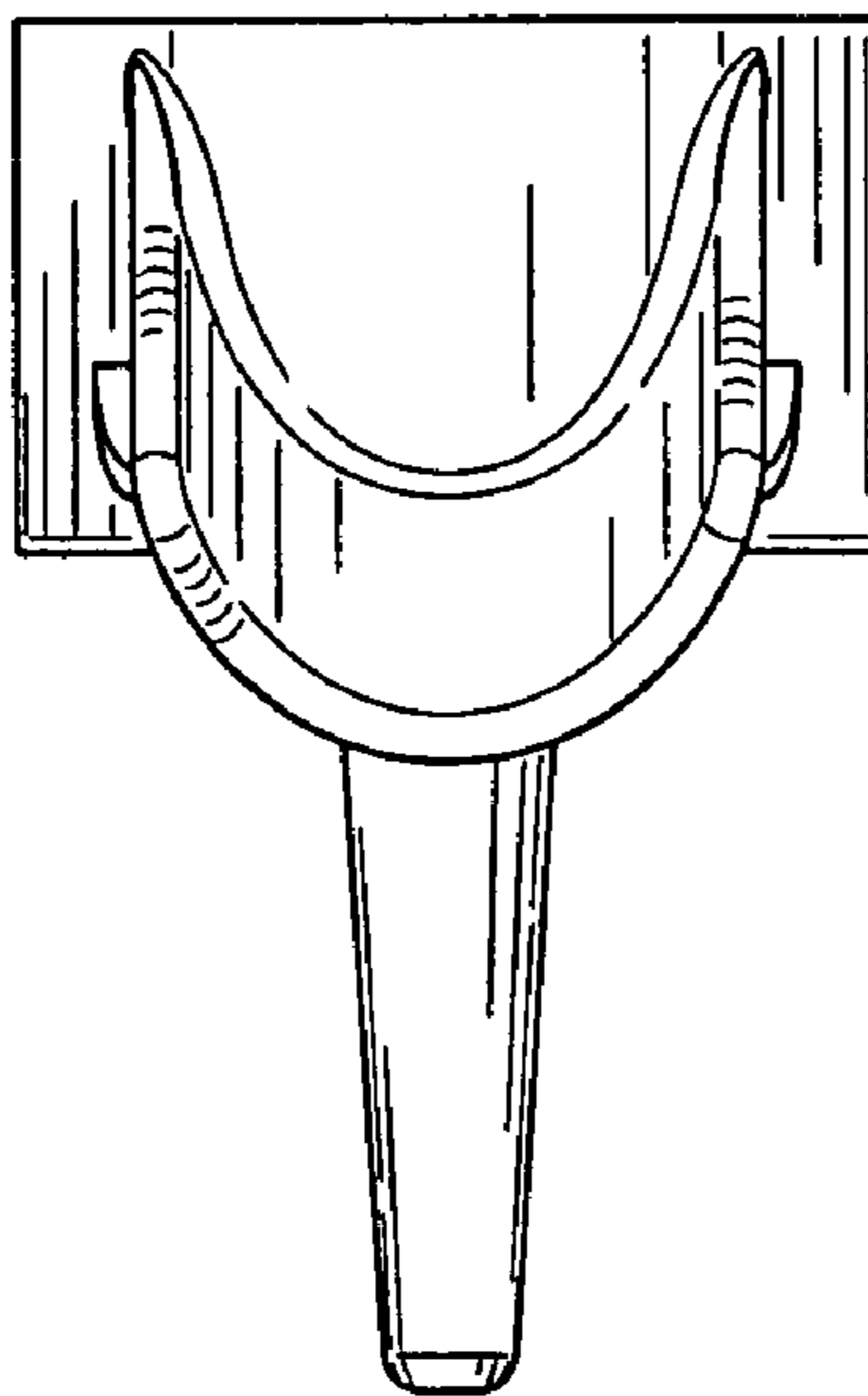


FIG. 2

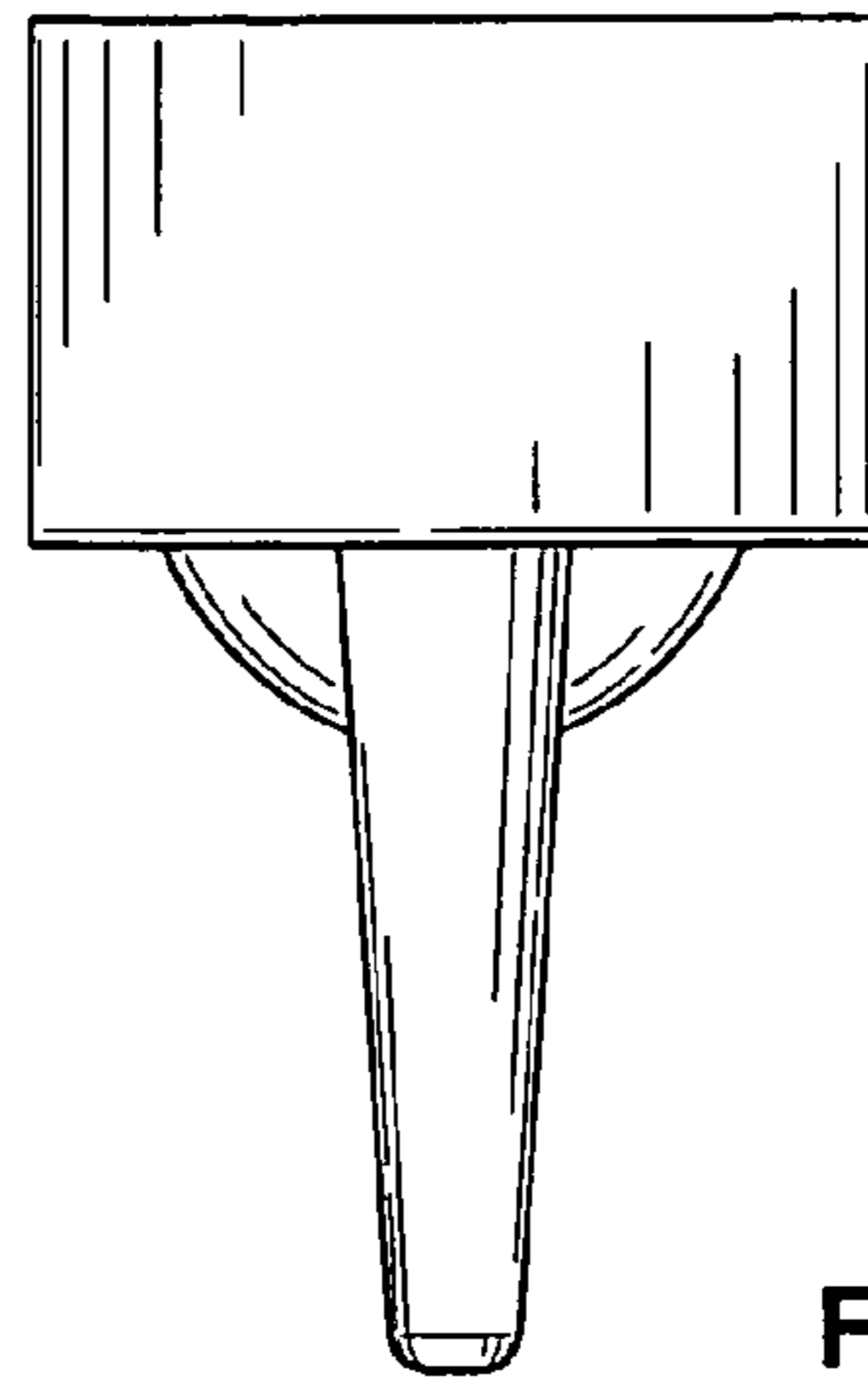


FIG. 3

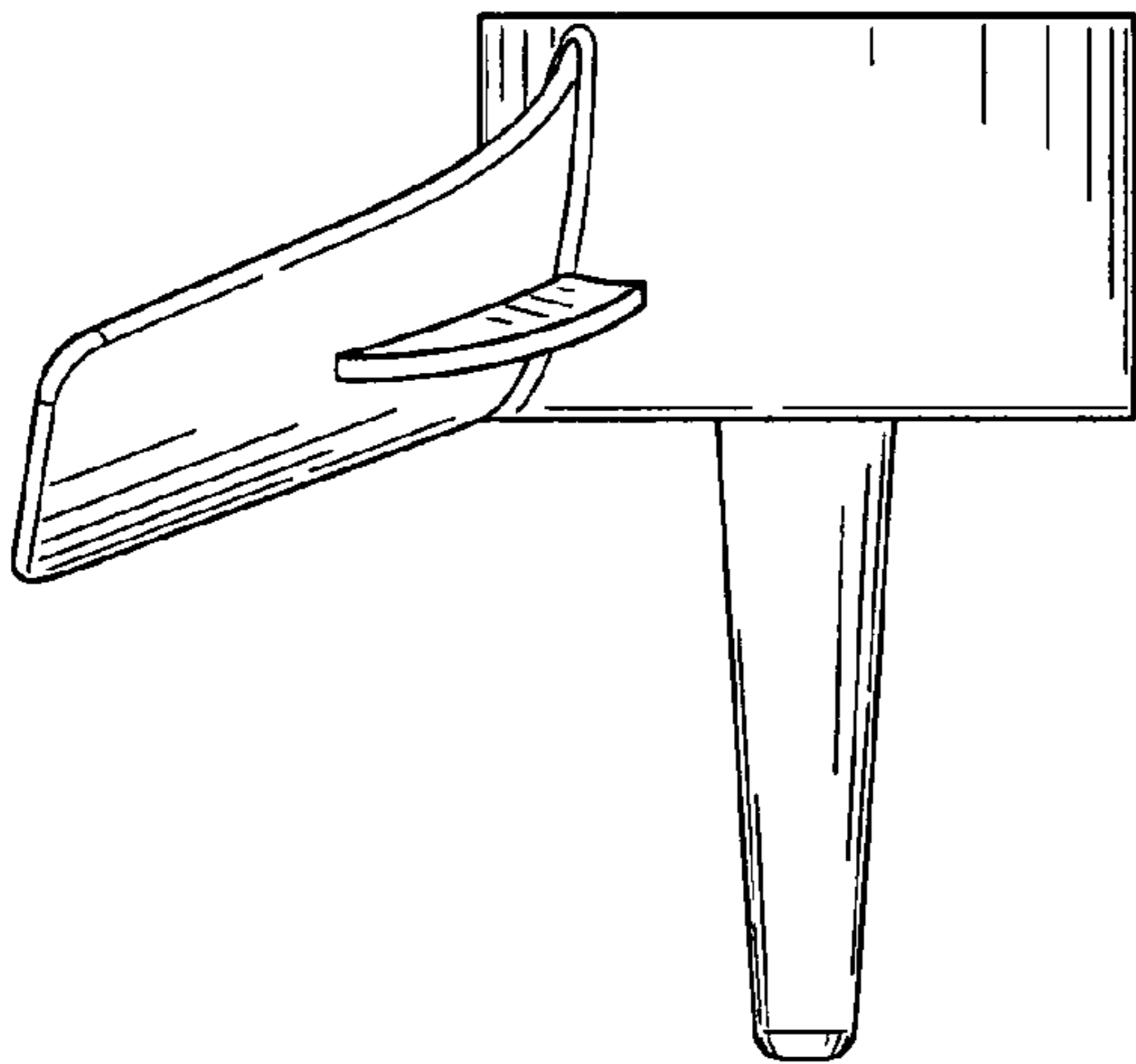


FIG. 4

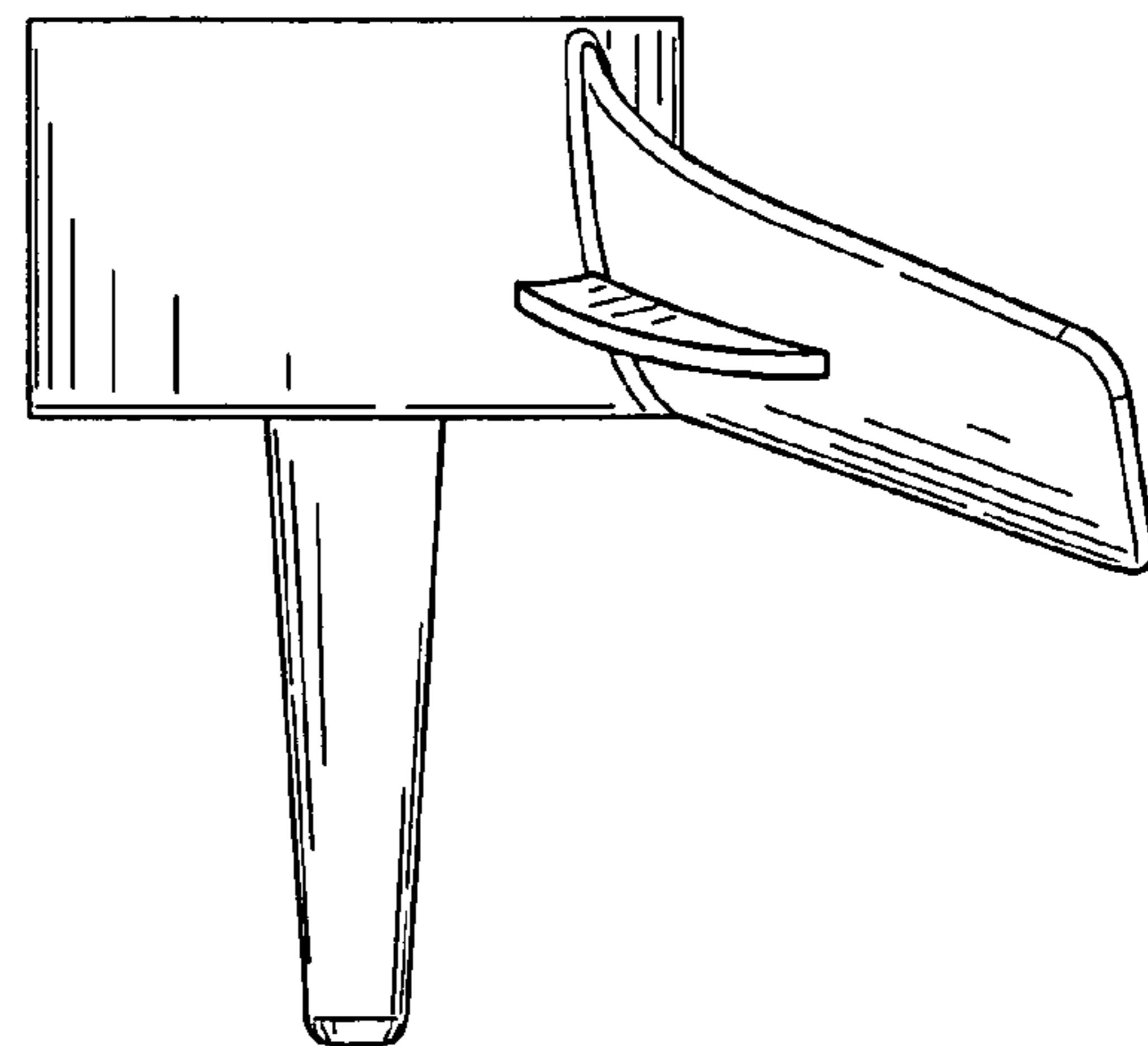


FIG. 5

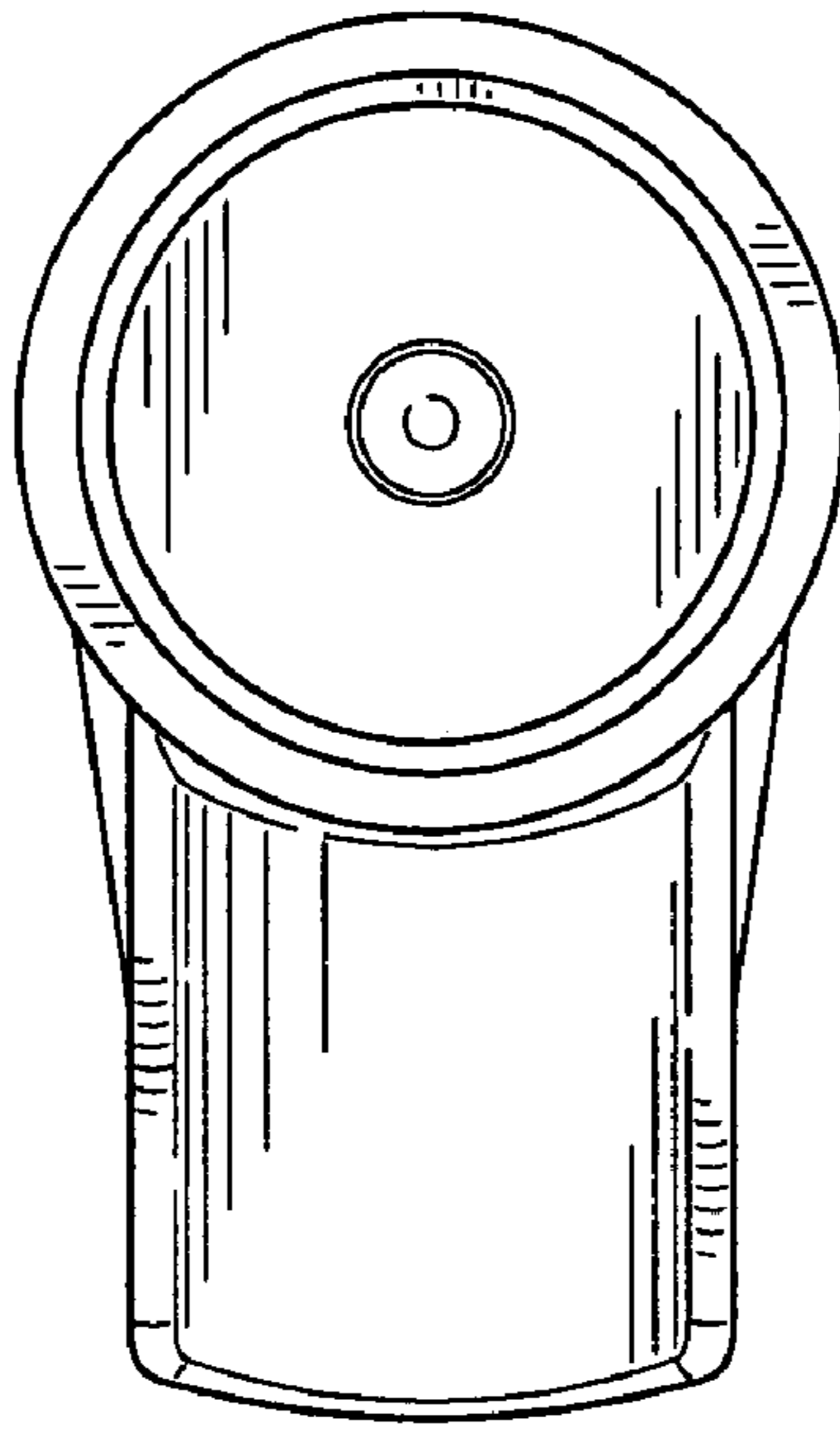


FIG. 6

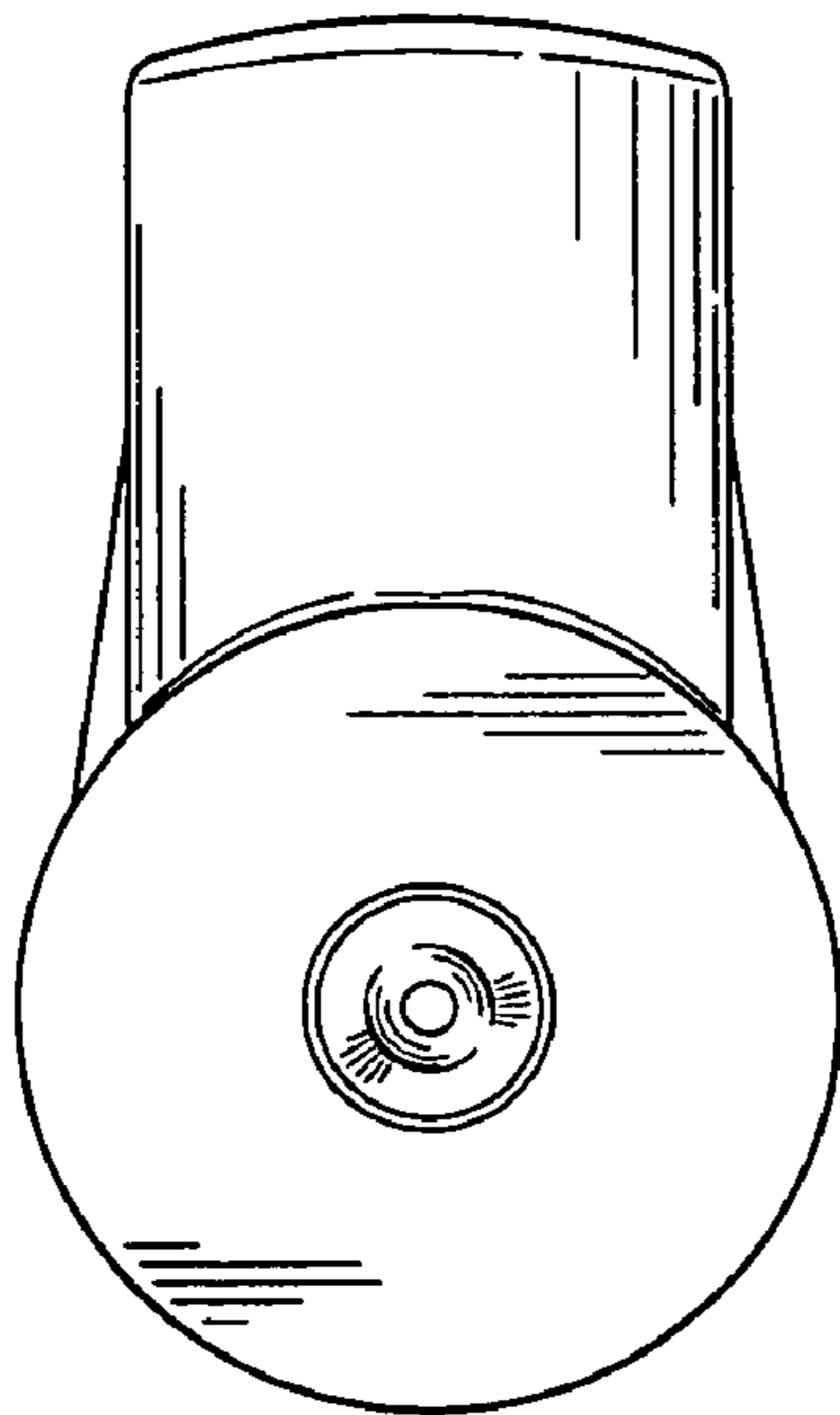


FIG. 7