



US00D652104S

(12) **United States Design Patent**
Raab et al.

(10) **Patent No.:** **US D652,104 S**
(45) **Date of Patent:** **** Jan. 10, 2012**

(54) **SPRAY HEAD FOR SHOWERS**

(75) Inventors: **Stefan Raab**, Cologne (DE); **Stefan Bruckmann**, Dortmund (DE)

(73) Assignee: **Stefan Raab** (DE)

(**) Term: **14 Years**

(21) Appl. No.: **29/388,434**

(22) Filed: **Mar. 29, 2011**

(30) **Foreign Application Priority Data**

Oct. 1, 2010 (WO) DM/074 846

(51) **LOC (9) Cl.** **23-01**

(52) **U.S. Cl.** **D23/213**

(58) **Field of Classification Search** D23/213,
D23/223, 229, 230; 239/452, 282-283

See application file for complete search history.

(56) **References Cited**

U.S. PATENT DOCUMENTS

D342,564 S *	12/1993	Jans	D23/213
D495,778 S *	9/2004	Jorgensen et al.	D23/213
D564,071 S *	3/2008	Tsai	D23/229
D607,970 S *	1/2010	Schoenherr et al.	D23/213

* cited by examiner

Primary Examiner — Robin V Webster

(74) *Attorney, Agent, or Firm* — Richard M. Klein; Fay Sharpe LLP

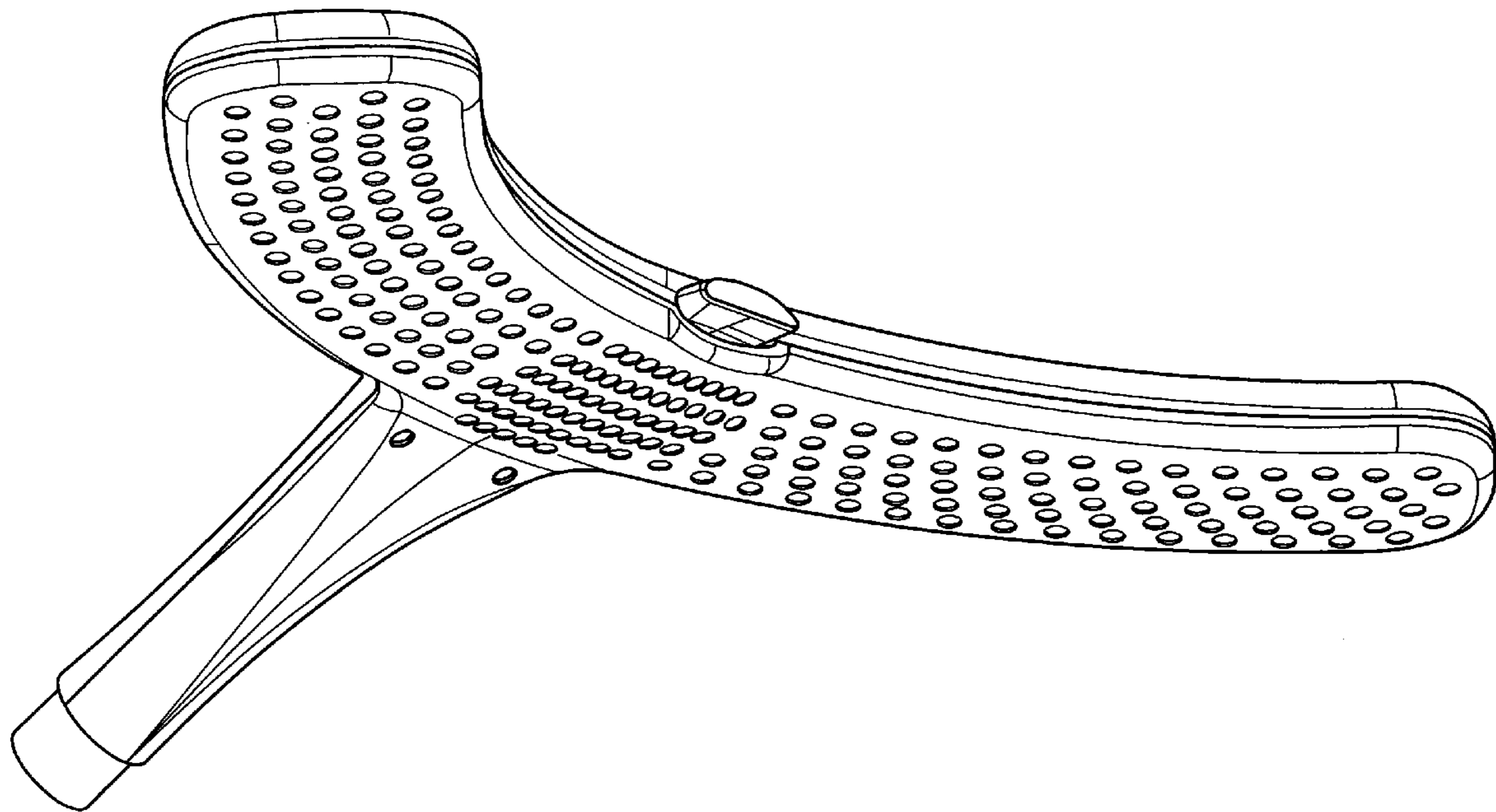
(57) **CLAIM**

The ornamental design for a spray head for showers, as shown and described.

DESCRIPTION

FIG. 1 is a perspective view;
FIG. 2 is a bottom view;
FIG. 3 is a top view;
FIG. 4 is a front view;
FIG. 5 is a left side view;
FIG. 6 is a right side view; and,
FIG. 7 is a rear view.

1 Claim, 6 Drawing Sheets



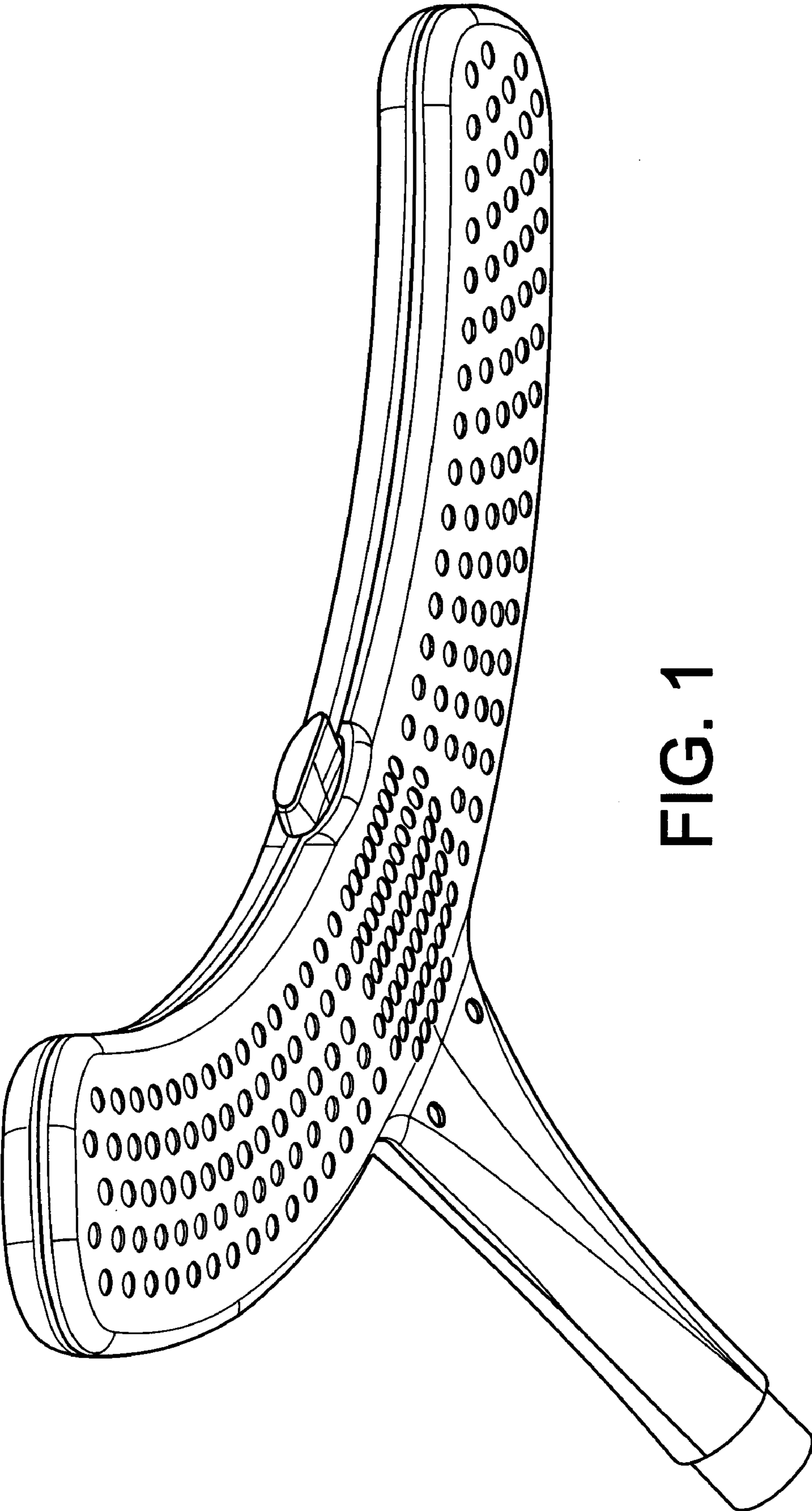


FIG. 1

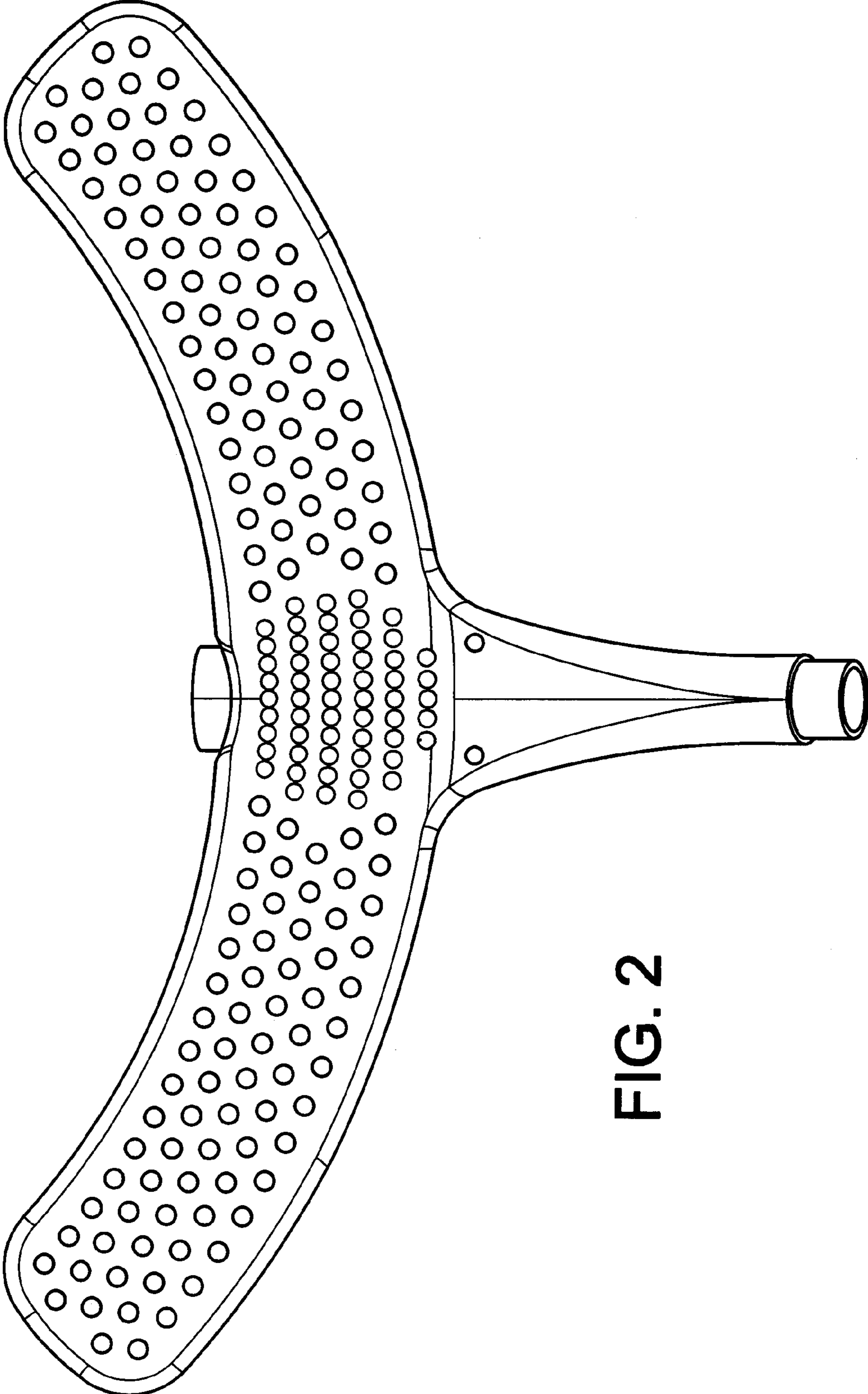


FIG. 2

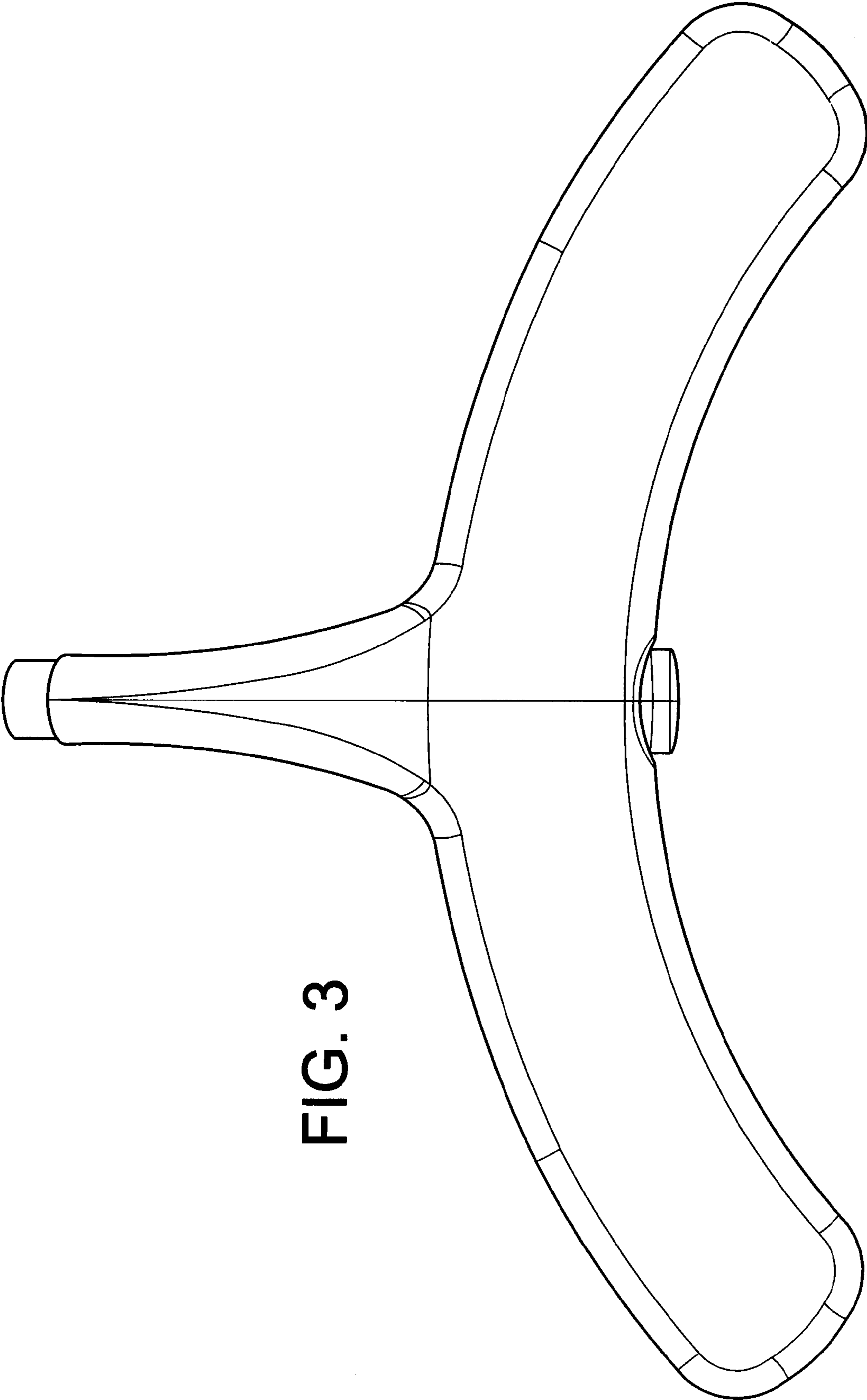


FIG. 3

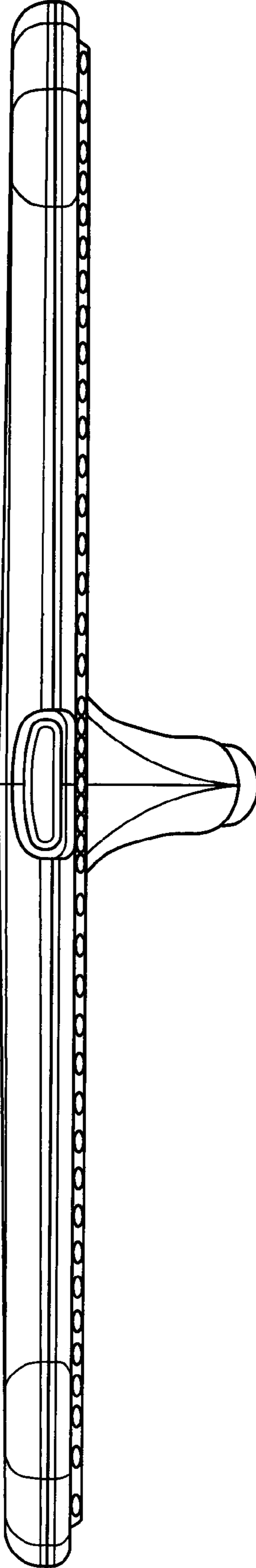


FIG. 4

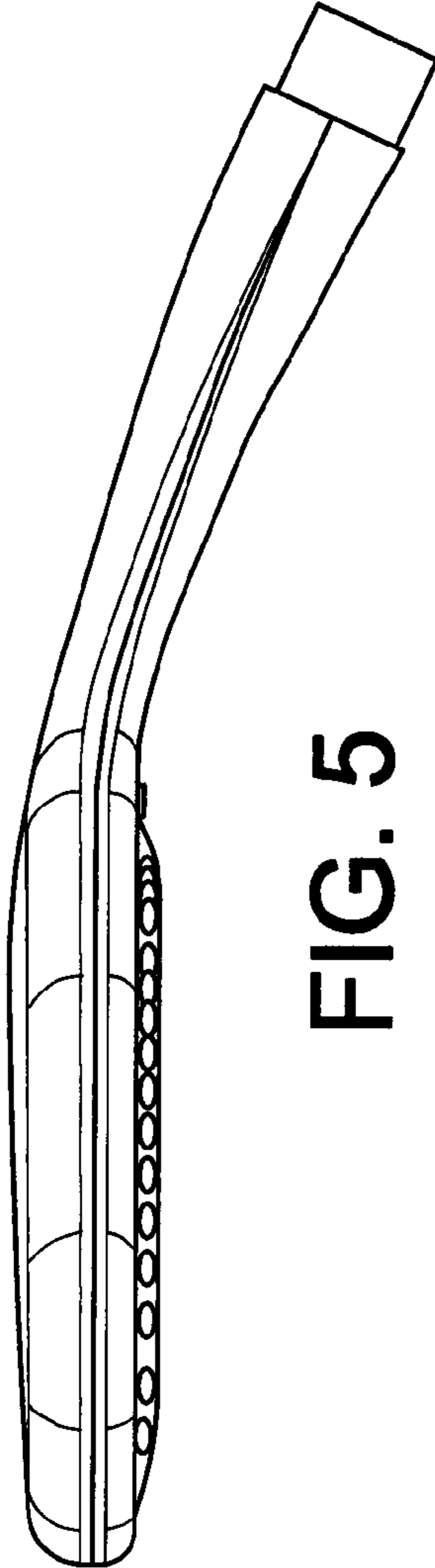


FIG. 5

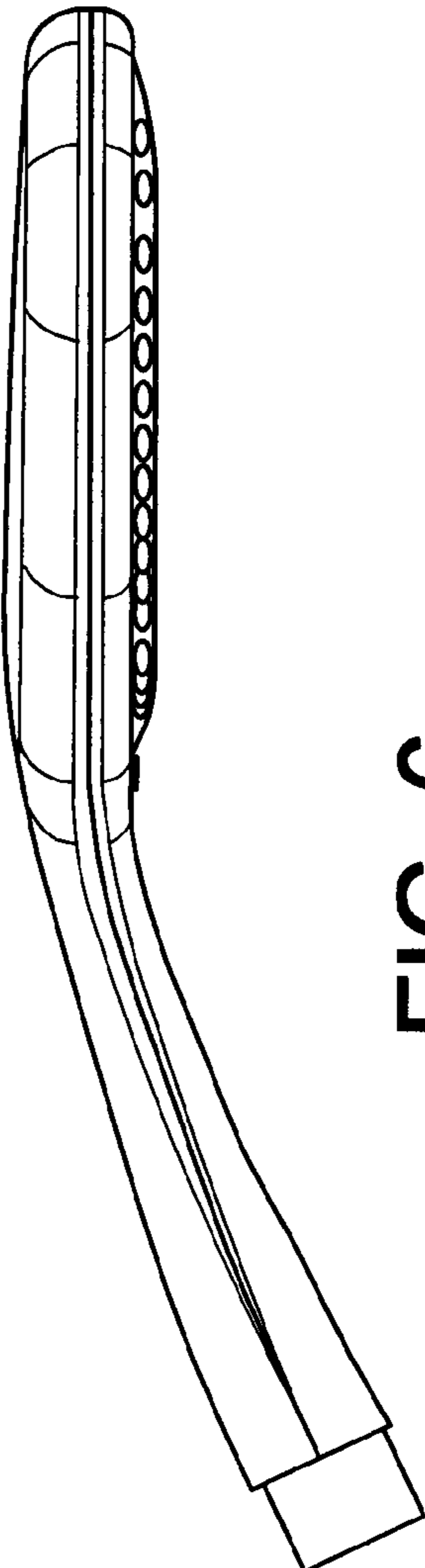


FIG. 6

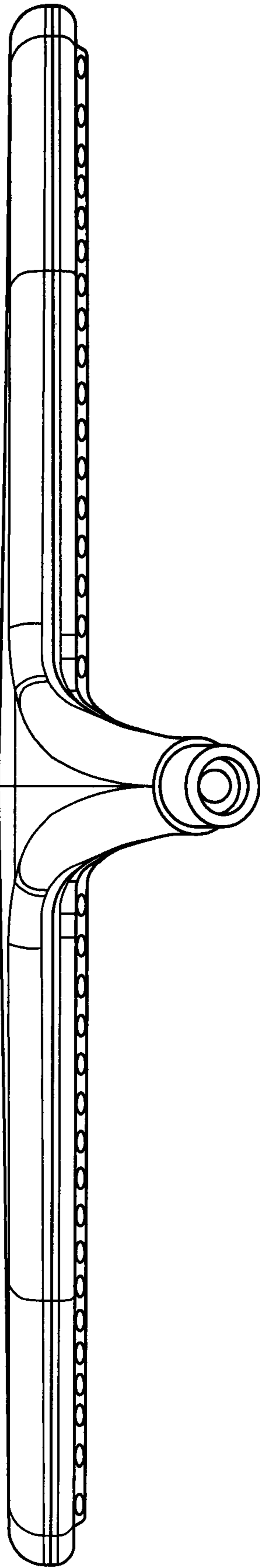


FIG. 7