



US00D652093S

(12) **United States Design Patent**  
**Foster**

(10) **Patent No.:** **US D652,093 S**

(45) **Date of Patent:** **\*\* Jan. 10, 2012**

(54) **IRON GOLF CLUB HEAD**

(75) Inventor: **Philip G. Foster**, Carlsbad, CA (US)

(73) Assignee: **Callaway Golf Company**, Carlsbad, CA (US)

(\*\*) Term: **14 Years**

(21) Appl. No.: **29/388,798**

(22) Filed: **Apr. 1, 2011**

(51) **LOC (9) Cl.** ..... **21-02**

(52) **U.S. Cl.** ..... **D21/747**

(58) **Field of Classification Search** ..... D21/747-751,  
D21/759; 473/324-331, 350

See application file for complete search history.

(56) **References Cited**

**U.S. PATENT DOCUMENTS**

D319,091 S *	8/1991	Antonious	.....	D21/749
D355,234 S *	2/1995	MacNally et al.	.....	D21/749
D364,434 S *	11/1995	McGraw et al.	.....	D21/749
D435,278 S *	12/2000	Reed et al.	.....	D21/747
D572,781 S *	7/2008	Kim et al.	.....	D21/747
D591,373 S *	4/2009	Foster et al.	.....	D21/747
D593,627 S *	6/2009	Kim et al.	.....	D21/747
D598,967 S *	8/2009	Kim et al.	.....	D21/747

D598,968 S *	8/2009	Wieland	.....	D21/747
D614,710 S *	4/2010	Kim et al.	.....	D21/747
D618,293 S *	6/2010	Foster et al.	.....	D21/747
D620,063 S *	7/2010	Llewellyn et al.	.....	D21/759
D622,796 S *	8/2010	Kadoya	.....	D21/759
D629,059 S *	12/2010	Foster	.....	D21/747
D629,061 S *	12/2010	Llewellyn et al.	.....	D21/759
D631,110 S *	1/2011	Kim et al.	.....	D21/747
D639,880 S *	6/2011	Roach et al.	.....	D21/747

\* cited by examiner

*Primary Examiner* — Mitchell Siegel

(74) *Attorney, Agent, or Firm* — Michael A. Catania;  
Rebecca Hanovice; Sonia Lari

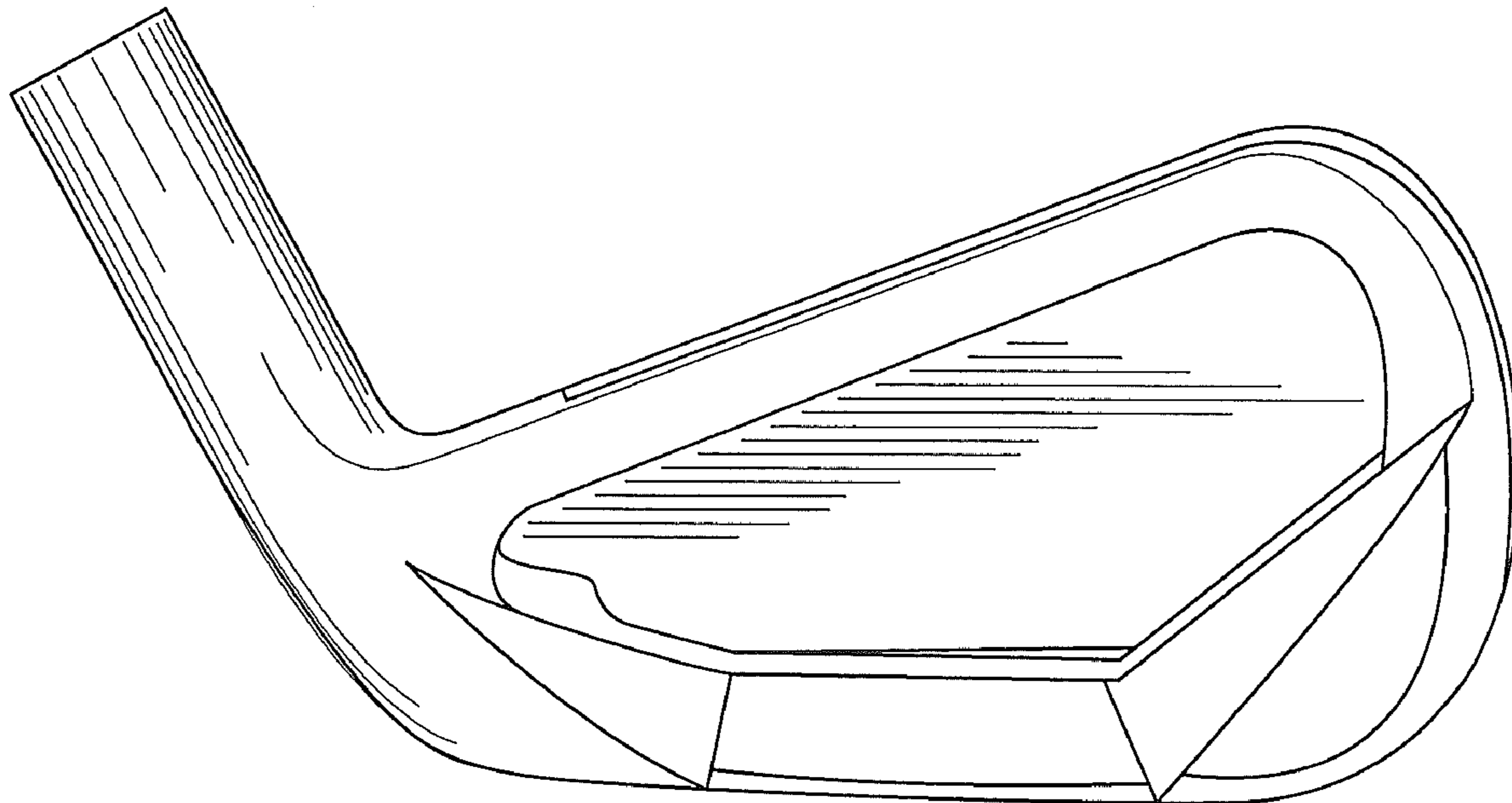
(57) **CLAIM**

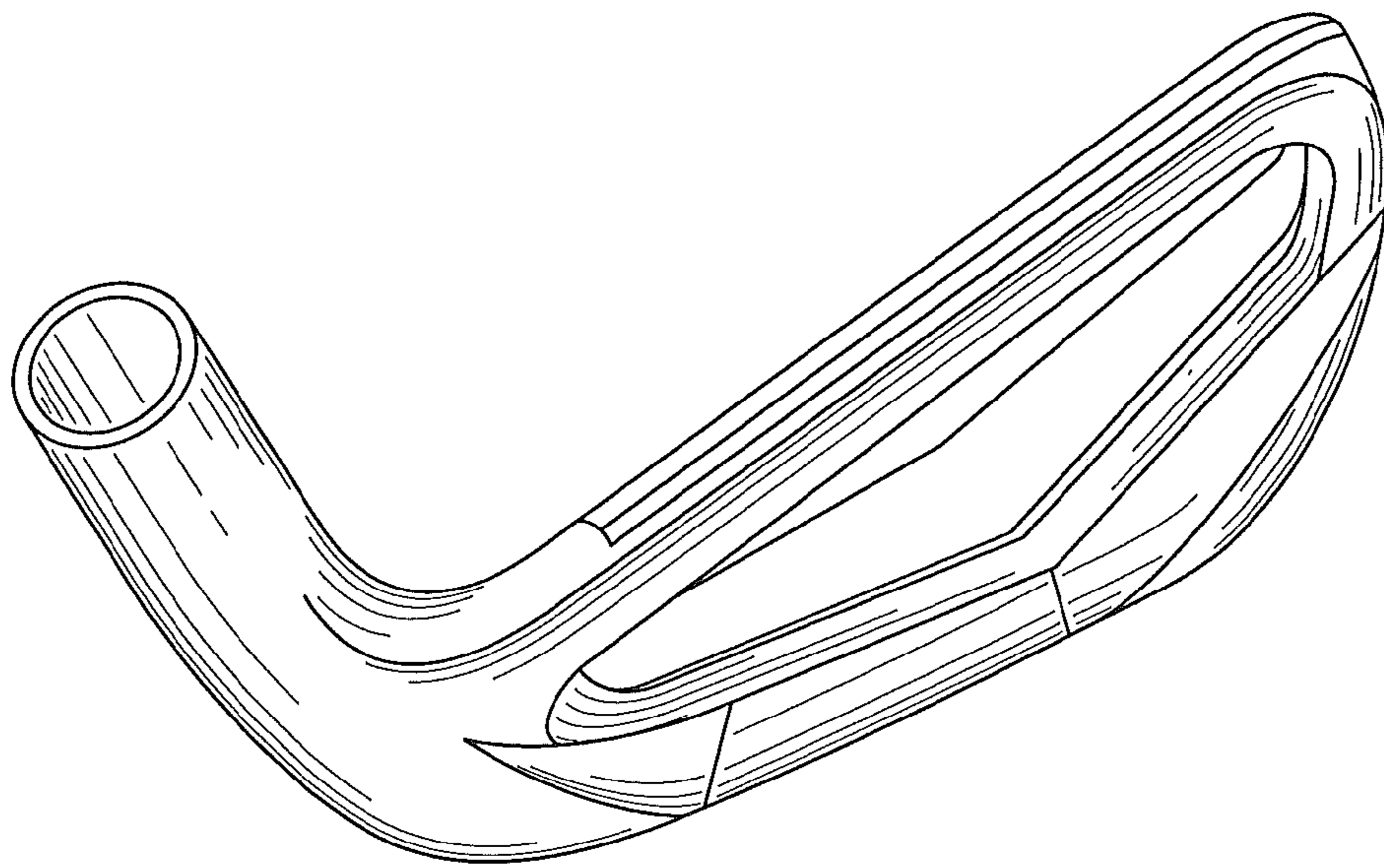
The ornamental design for an iron golf club head, as shown and described.

**DESCRIPTION**

FIG. 1 is a rear perspective view of an iron golf club head;  
FIG. 2 is a rear elevational view thereof;  
FIG. 3 is a front elevational view thereof;  
FIG. 4 is a heel elevational view thereof;  
FIG. 5 is a toe elevational view thereof;  
FIG. 6 is a top plan view thereof; and,  
FIG. 7 is a bottom plan view thereof.

**1 Claim, 4 Drawing Sheets**





**FIG. 1**

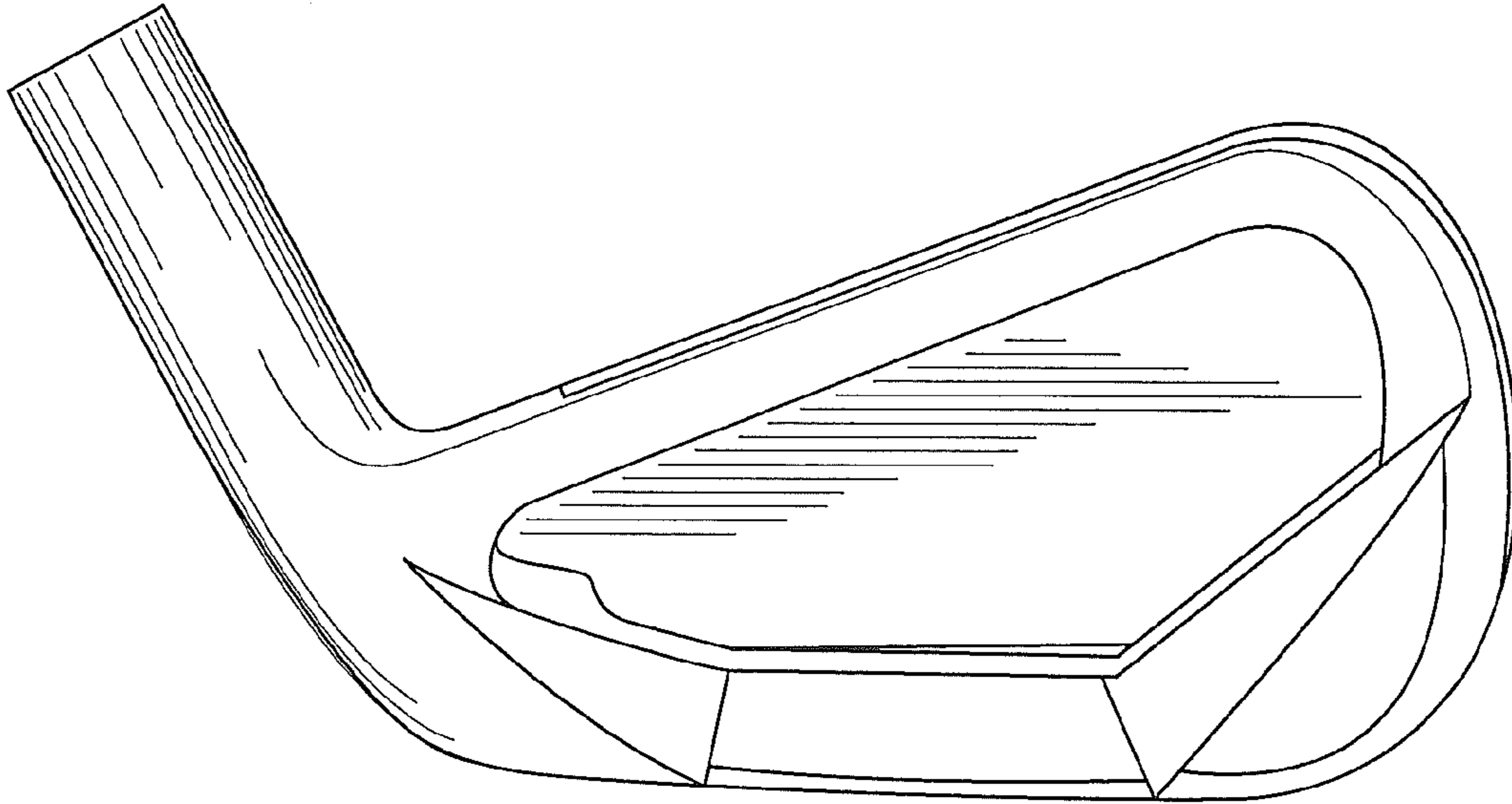


FIG. 2

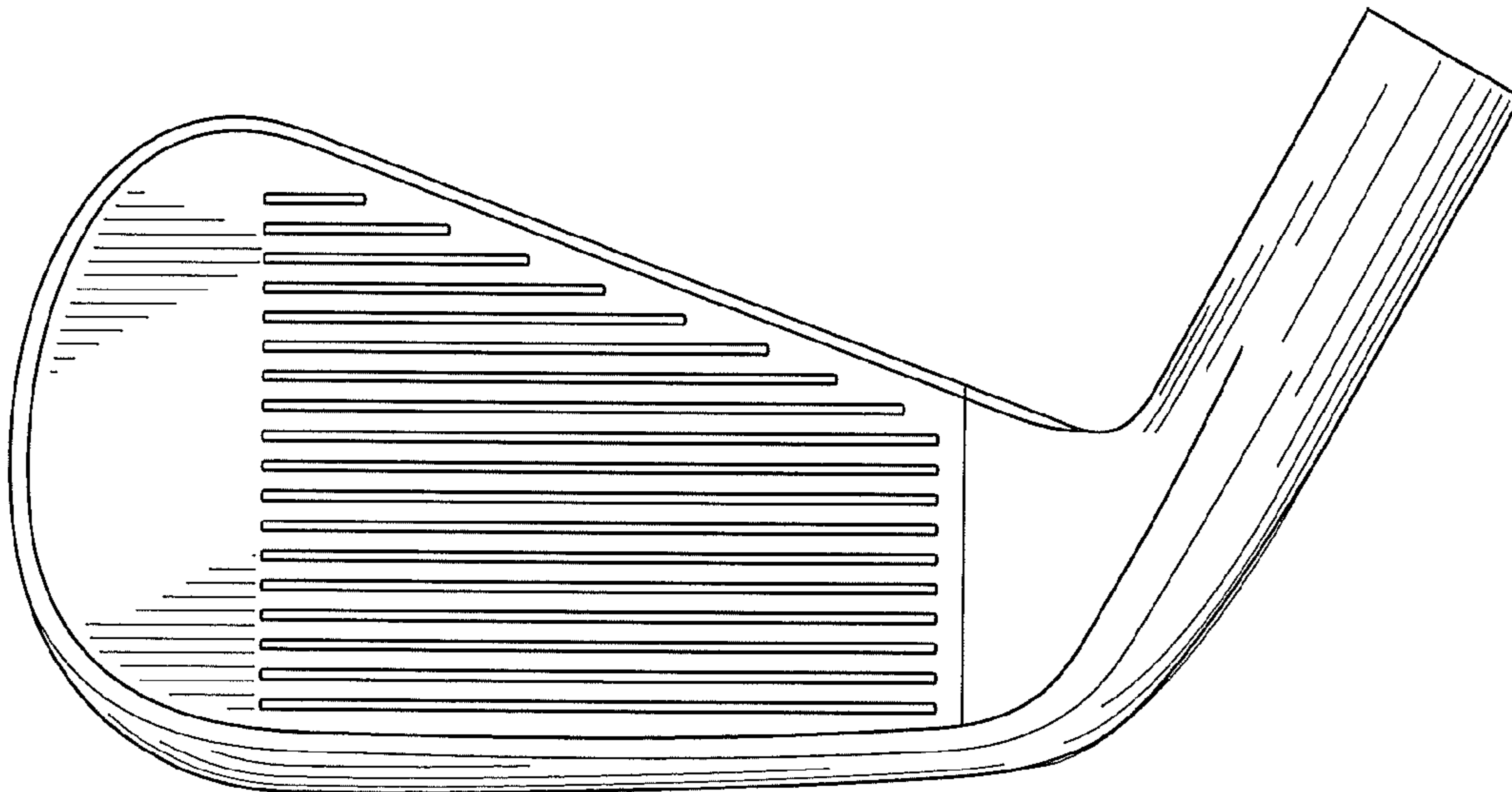
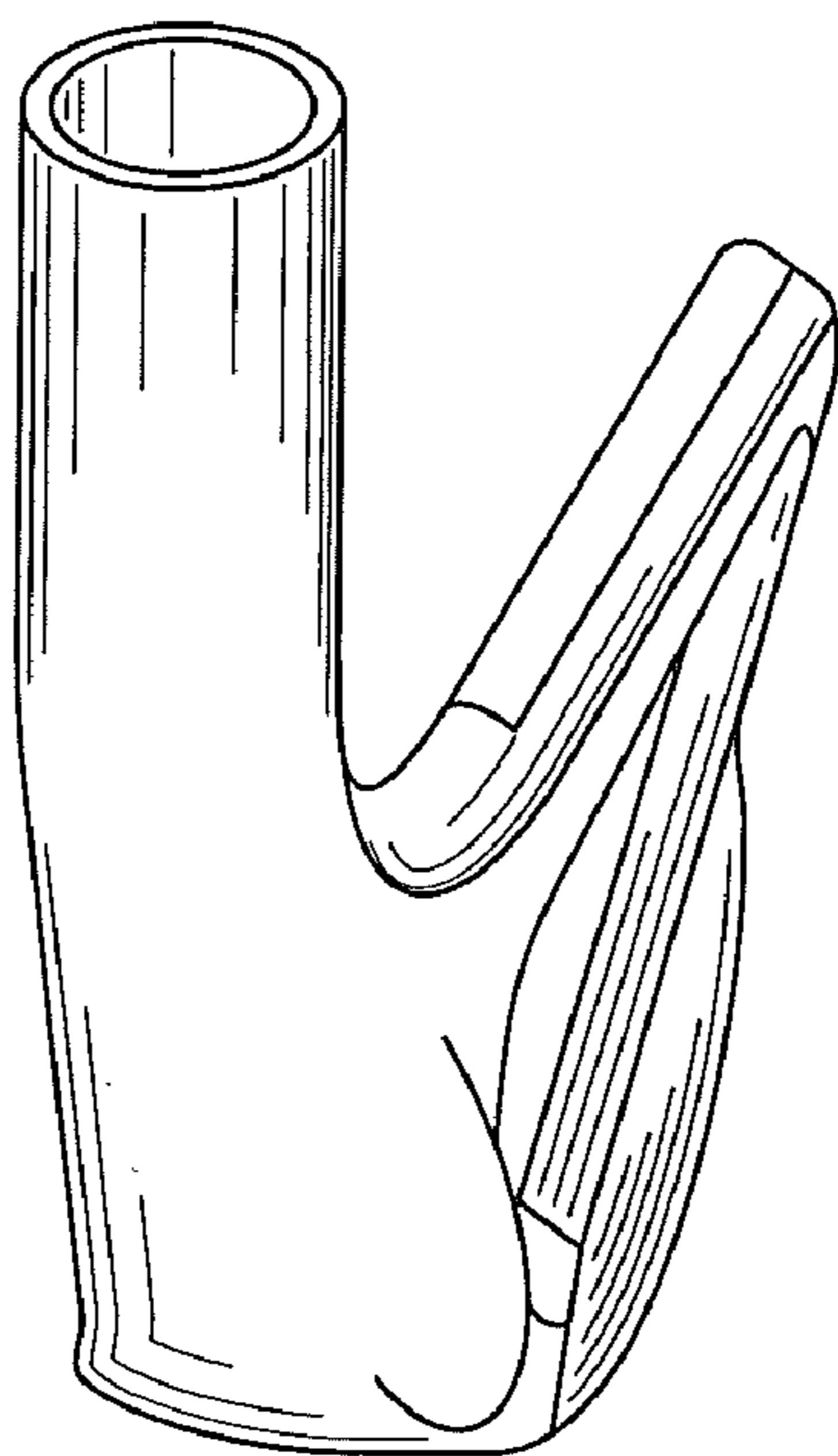
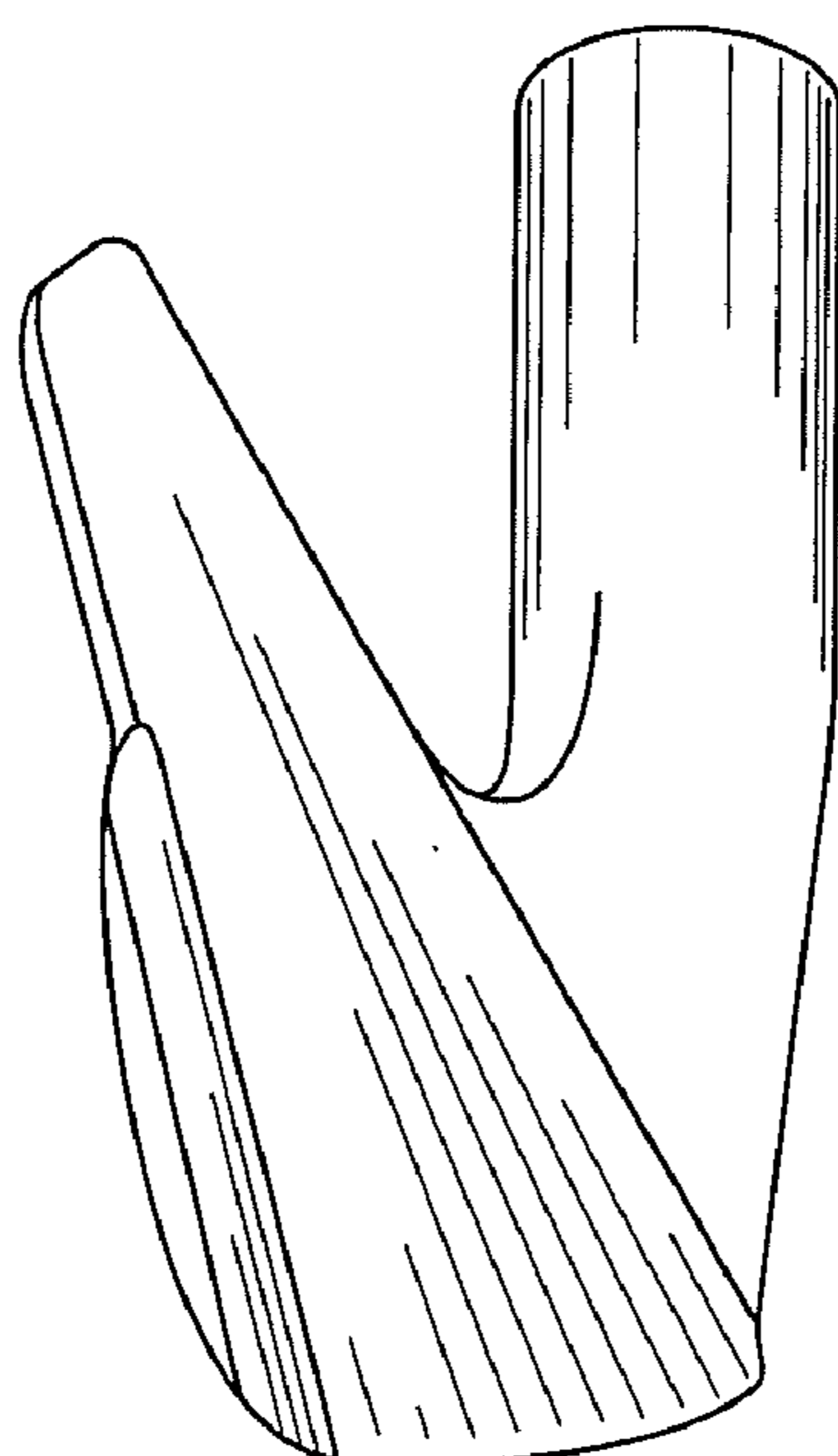


FIG. 3



**FIG. 4**



**FIG. 5**

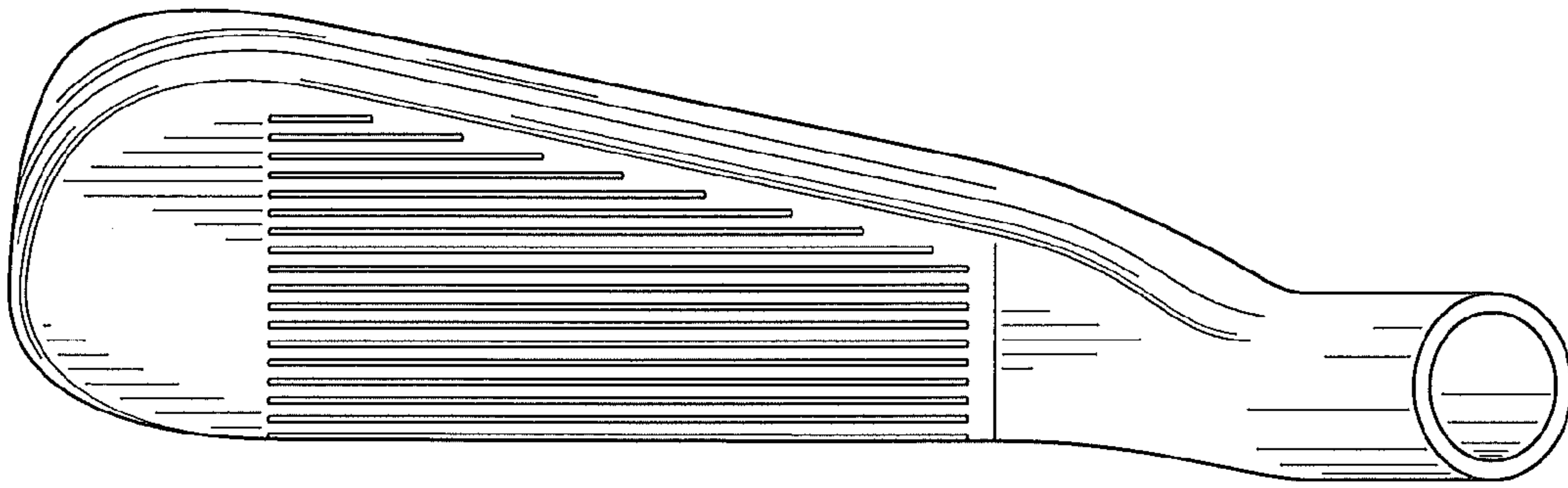


FIG. 6

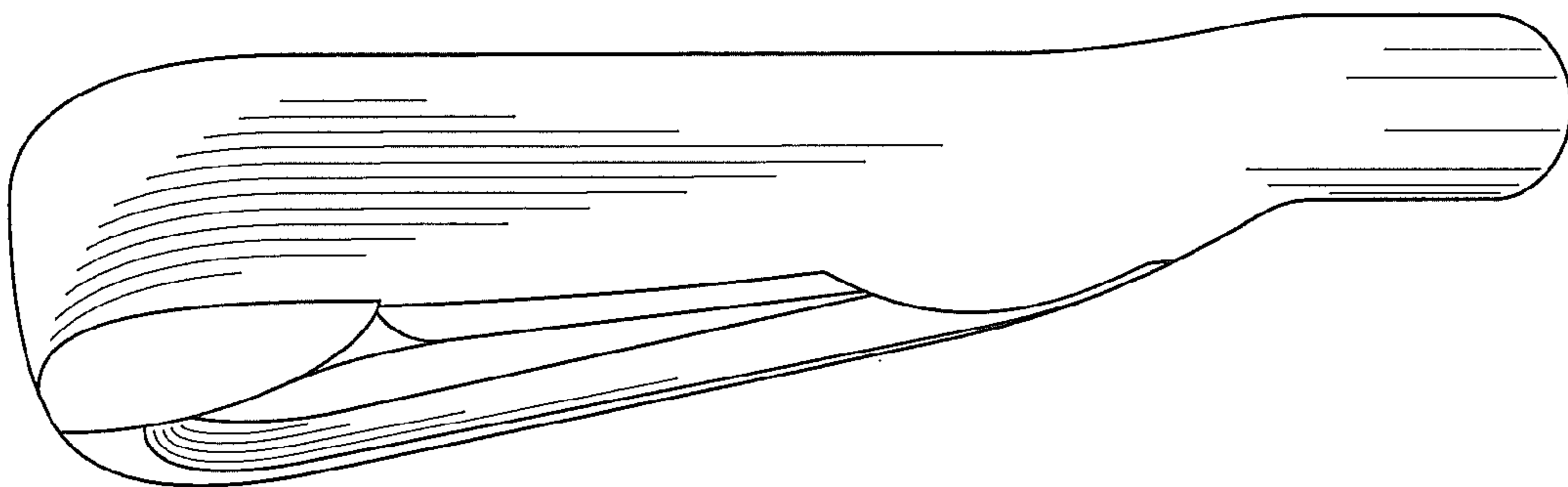


FIG. 7