



US00D652091S

(12) **United States Design Patent**
Gellatly et al.

(10) **Patent No.:** **US D652,091 S**
(45) **Date of Patent:** **** Jan. 10, 2012**

(54) **EXERCISE HANDLE**

(75) Inventors: **William W. Gellatly**, Long Beach, WA (US); **John Friess**, Portland, OR (US); **Chris Gunson**, Eugene, OR (US); **Robert Montgomery**, Portland, OR (US)

(73) Assignee: **Journey Fitness, Inc.**, Portland, OR (US)

(**) Term: **14 Years**

(21) Appl. No.: **29/381,274**

(22) Filed: **Dec. 16, 2010**

Related U.S. Application Data

(63) Continuation of application No. 12/559,466, filed on Sep. 14, 2009, now Pat. No. 7,946,969, and a continuation of application No. 29/324,516, filed on Sep. 12, 2008, now Pat. No. Des. 610,638.

(51) **LOC (9) Cl.** **21-02**

(52) **U.S. Cl.** **D21/684**; D21/662; D21/673

(58) **Field of Classification Search** D21/684, D21/662, 673, 687, 692, 691, 694; D30/151, D30/152, 153; D8/300, 301, 303; 482/123, 482/127, 128, 114, 116, 130, 52, 129, 111, 482/142, 92, 121, 122; 119/794, 796

See application file for complete search history.

(56) **References Cited**

U.S. PATENT DOCUMENTS

1,518,361 A 12/1924 Ruden
D125,944 S * 3/1941 Stickell D30/153
D197,853 S * 3/1964 Smith D8/30
3,664,666 A 5/1972 Lloyd
3,693,596 A * 9/1972 Croce et al. 119/796
3,893,667 A 7/1975 Snyder et al.
3,947,025 A * 3/1976 Hobby, Jr. 482/123
4,018,189 A 4/1977 Umphries et al.

4,089,520 A 5/1978 Ozbey
4,253,663 A * 3/1981 Hughes 482/127
4,269,150 A 5/1981 McCarthy
D274,379 S * 6/1984 Talo D30/153
D275,979 S * 10/1984 Eischen, Sr. D21/662
4,478,413 A 10/1984 Siwula
4,501,230 A * 2/1985 Talo 119/796
4,645,204 A 2/1987 Berger
D293,124 S * 12/1987 Sobel D21/694
D338,247 S * 8/1993 Koblick D21/692
5,261,864 A 11/1993 Fitzpatrick
D355,458 S 2/1995 Chen
D359,324 S * 6/1995 Phegley D21/662
5,431,617 A 7/1995 Rattray
5,437,591 A * 8/1995 Chen 482/127
5,454,771 A 10/1995 Wilson-Hyde
5,514,057 A 5/1996 Ciolini
D371,177 S 6/1996 Efobi
5,540,642 A 7/1996 Sprague
5,551,934 A 9/1996 Binette
5,697,870 A 12/1997 Osborn
5,890,456 A 4/1999 Tancrede
D438,266 S * 2/2001 Levrett D21/684

(Continued)

Primary Examiner — Susan E Krakower

(74) *Attorney, Agent, or Firm* — Law Offices of Karen Dana Oster, LLC

(57) **CLAIM**

We claim the ornamental design for an exercise handle, as shown and described.

DESCRIPTION

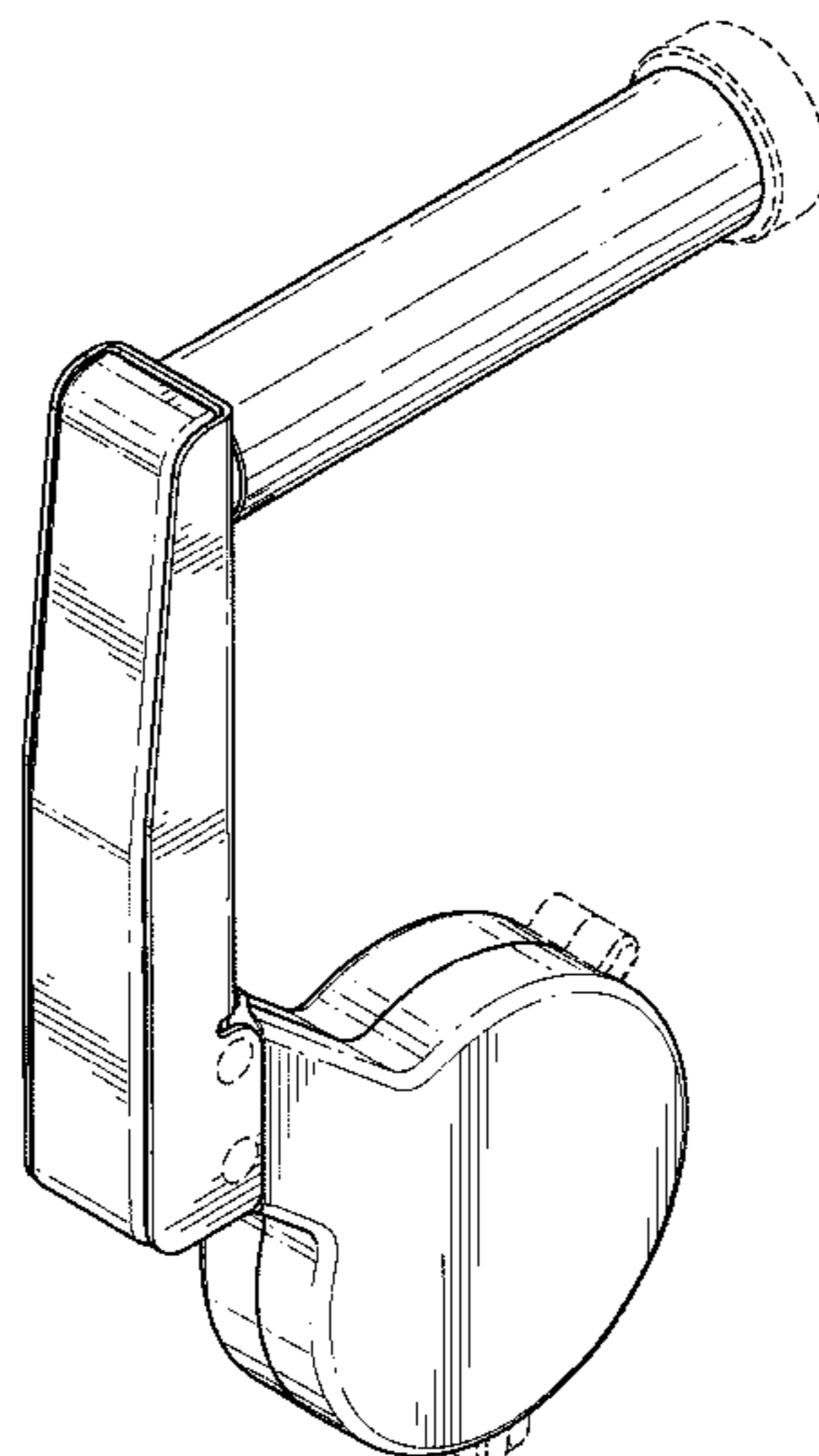
FIG. 1 is an angled isometric view of an exercise handle showing our new design.

FIG. 2 is an angled isometric view of the exercise handle showing our new design, the angle of this figure being approximately at a right angle to the angled isometric view of FIG. 1; and,

FIG. 3 is a front view of the exercise handle.

The broken lines illustrate portions of the exercise handle which form no part of the claimed design.

1 Claim, 2 Drawing Sheets



US D652,091 S

Page 2

U.S. PATENT DOCUMENTS			
6,245,001	B1	6/2001	Siaperas
6,299,569	B1	10/2001	Rich
6,315,701	B1	11/2001	Shifferaw
6,537,184	B2 *	3/2003	Kim 482/122
6,558,301	B1	5/2003	Jackson
D482,748	S	11/2003	Flynt
6,659,922	B1	12/2003	Yu
6,845,736	B1	1/2005	Anderson
6,908,417	B2	6/2005	Jackson
7,040,257	B2	5/2006	Waxman et al.
7,168,393	B2	1/2007	Bogdahn et al.
D538,360	S *	3/2007	Beaupre D21/684
7,217,227	B2	5/2007	Finn
7,250,021	B2	7/2007	Leight
7,431,681	B1	10/2008	St. Cyr
7,637,855	B2	12/2009	Bizzell et al.
D613,348	S *	4/2010	McVan et al. D21/662
7,871,359	B2 *	1/2011	Humble et al. 482/127
7,946,969	B1 *	5/2011	Friess et al. 482/123
2003/0114278	A1	6/2003	Rigas
2006/0128540	A1	6/2006	Engle
2007/0087920	A1	4/2007	Dachraoui

* cited by examiner

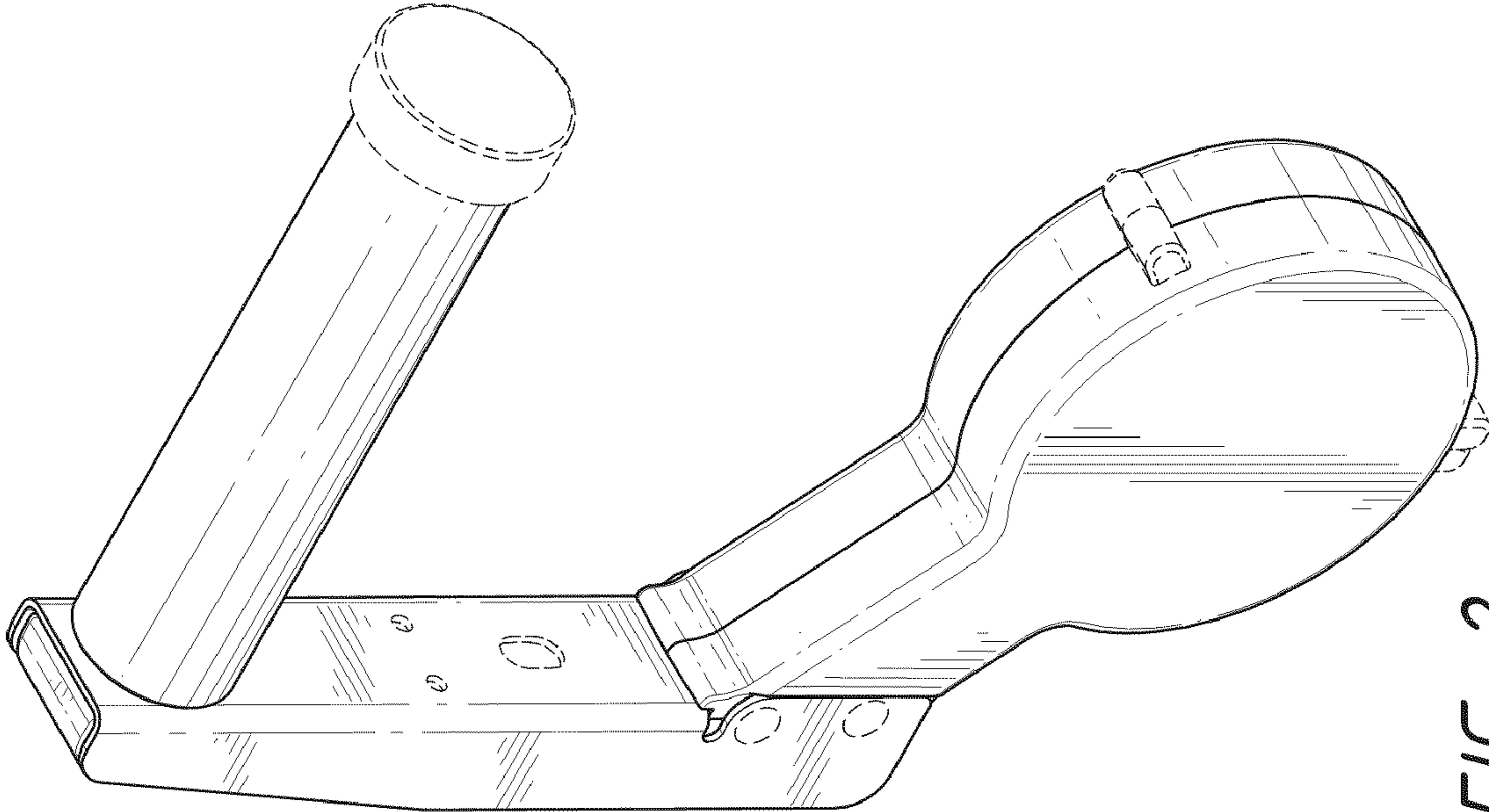


FIG. 2

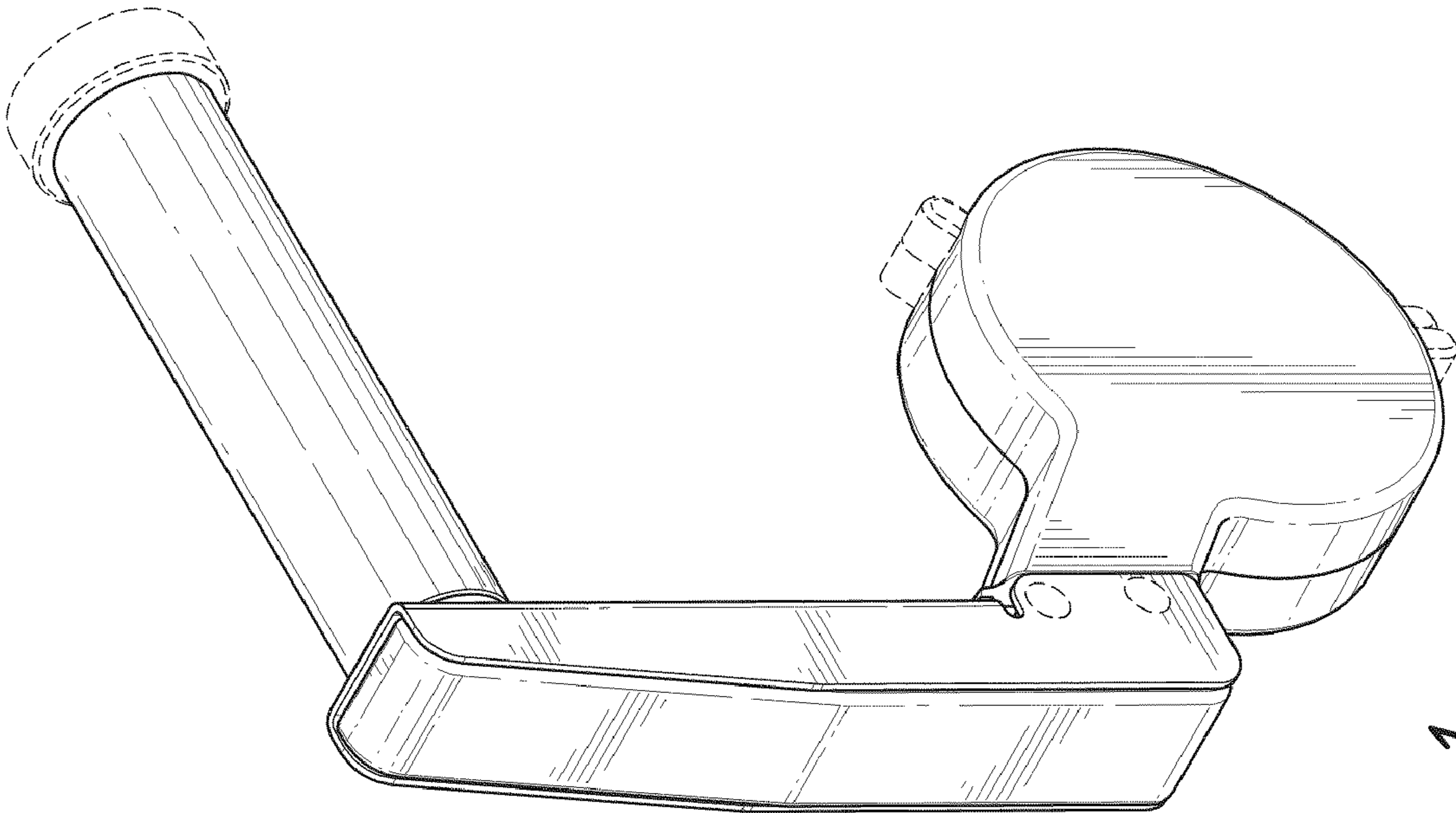


FIG. 1

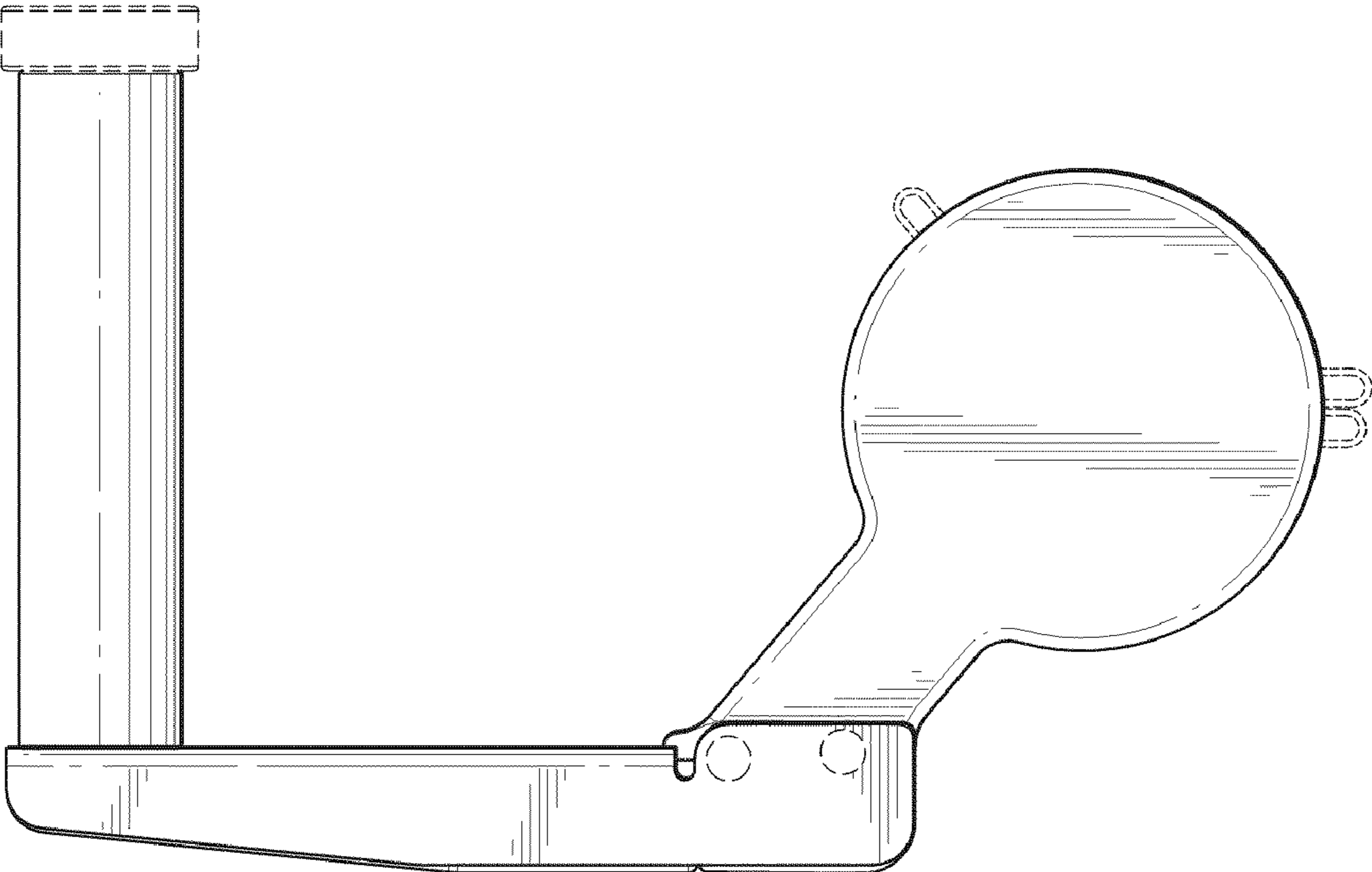


FIG. 3