



US00D652088S

(12) **United States Design Patent**
Nakayama

(10) **Patent No.:** **US D652,088 S**
(45) **Date of Patent:** **** Jan. 10, 2012**

(54) **REMOTE CONTROLLER FOR CAR TOY**

(75) Inventor: **Kenji Nakayama**, Tokyo (JP)

(73) Assignee: **Tomy Company, Ltd.**, Tokyo (JP)

(**) Term: **14 Years**

(21) Appl. No.: **29/347,840**

(22) Filed: **Jun. 21, 2010**

(30) **Foreign Application Priority Data**

Dec. 25, 2009 (JP) 2009-030281

(51) **LOC (9) Cl.** **21-01**

(52) **U.S. Cl.** **D21/566**

(58) **Field of Classification Search** D21/324,
D21/329, 333, 566; D14/400, 401, 403,
D14/405, 454, 217, 218, 358, 155; D13/168;
446/454-456; 463/6, 7, 37, 38, 39, 46, 47,
463/62

See application file for complete search history.

(56) **References Cited**

U.S. PATENT DOCUMENTS

D161,581 S	1/1951	Greene	
D212,240 S *	9/1968	Wong	D21/566
D263,858 S *	4/1982	Ngai	D21/566
D302,446 S *	7/1989	Cheng	D21/566
D502,968 S *	3/2005	Takahashi et al.	D21/566
D503,439 S *	3/2005	Galletti	D21/566
7,063,589 B2	6/2006	Matsukawa et al.	
7,220,160 B2 *	5/2007	Kiuchi	446/454
7,309,273 B2 *	12/2007	Ogihara	446/454
D566,202 S *	4/2008	Sasada	D21/566

D577,084 S *	9/2008	Nakayama	D21/566
7,427,225 B2	9/2008	Matsukawa et al.	
2003/0228916 A1 *	12/2003	Simeray	463/62
2006/0014471 A1 *	1/2006	Yamaguchi et al.	446/456

FOREIGN PATENT DOCUMENTS

CN 3506868 2/2006

OTHER PUBLICATIONS

U.S. Copyright Registration No. VA-1-210-107, dated Oct. 17, 2003.

* cited by examiner

Primary Examiner — Cynthia M Chin

(74) *Attorney, Agent, or Firm* — Staas & Halsey LLP

(57) **CLAIM**

The ornamental design for a remote controller for a car toy, as shown and described.

DESCRIPTION

FIG. 1 is a front perspective view of the remote controller for car toy showing my design;

FIG. 2 is a front view thereof;

FIG. 3 is a rear view thereof;

FIG. 4 is a left side view thereof;

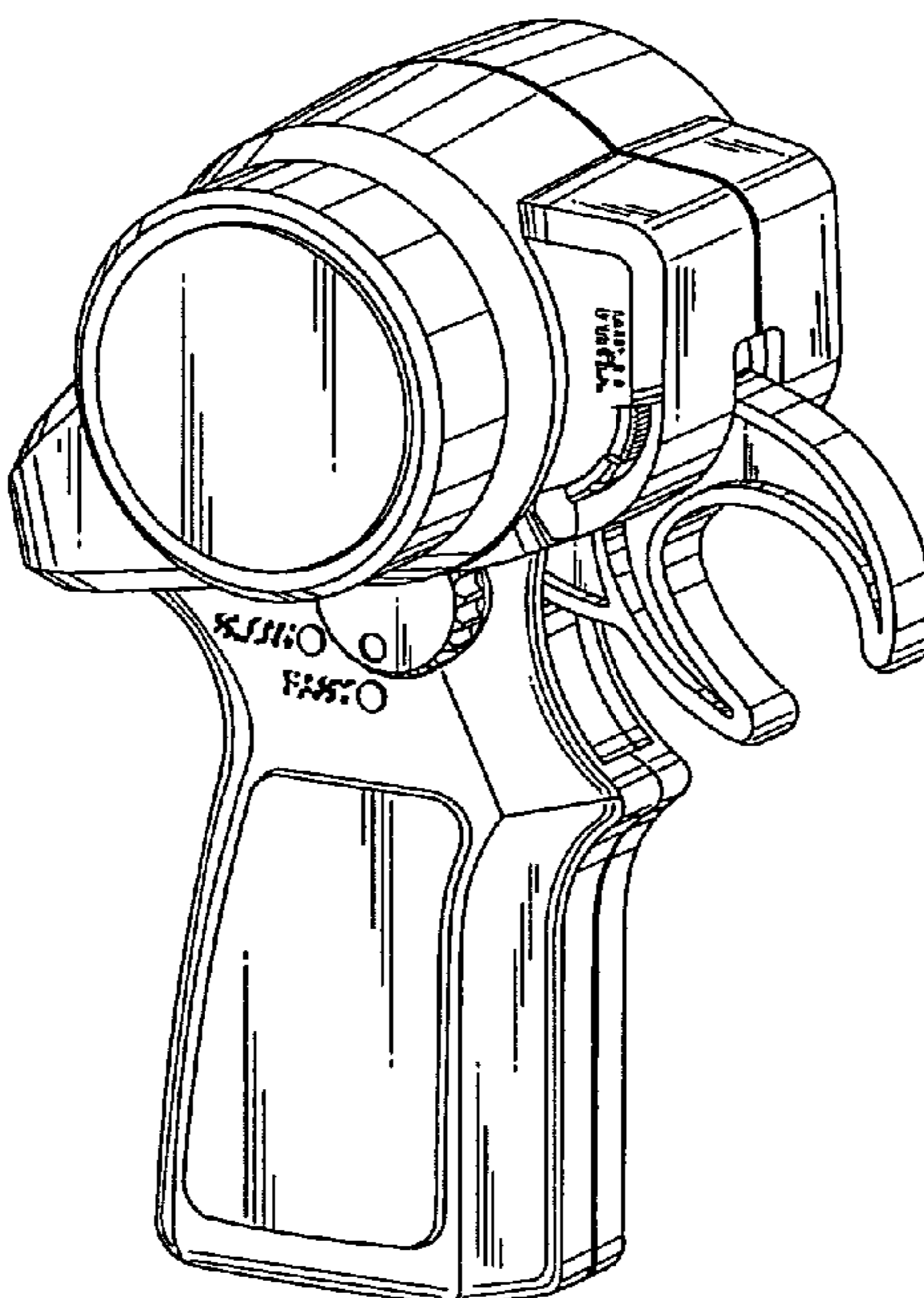
FIG. 5 is a right side view thereof;

FIG. 6 is a top view thereof; and,

FIG. 7 is bottom view thereof.

The portions of the article shown in broken lines form no part of the claimed design.

1 Claim, 4 Drawing Sheets



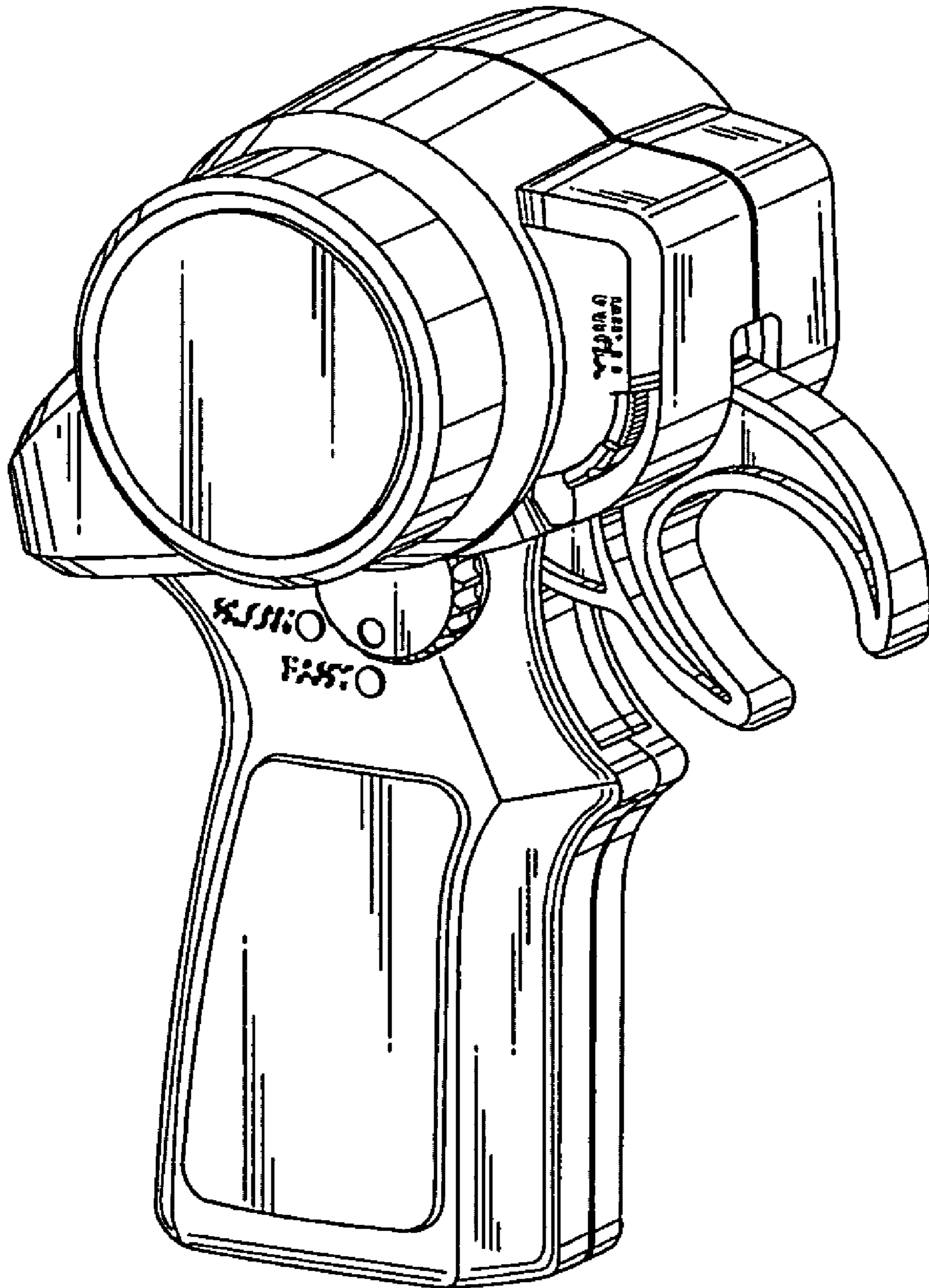


FIG. 1

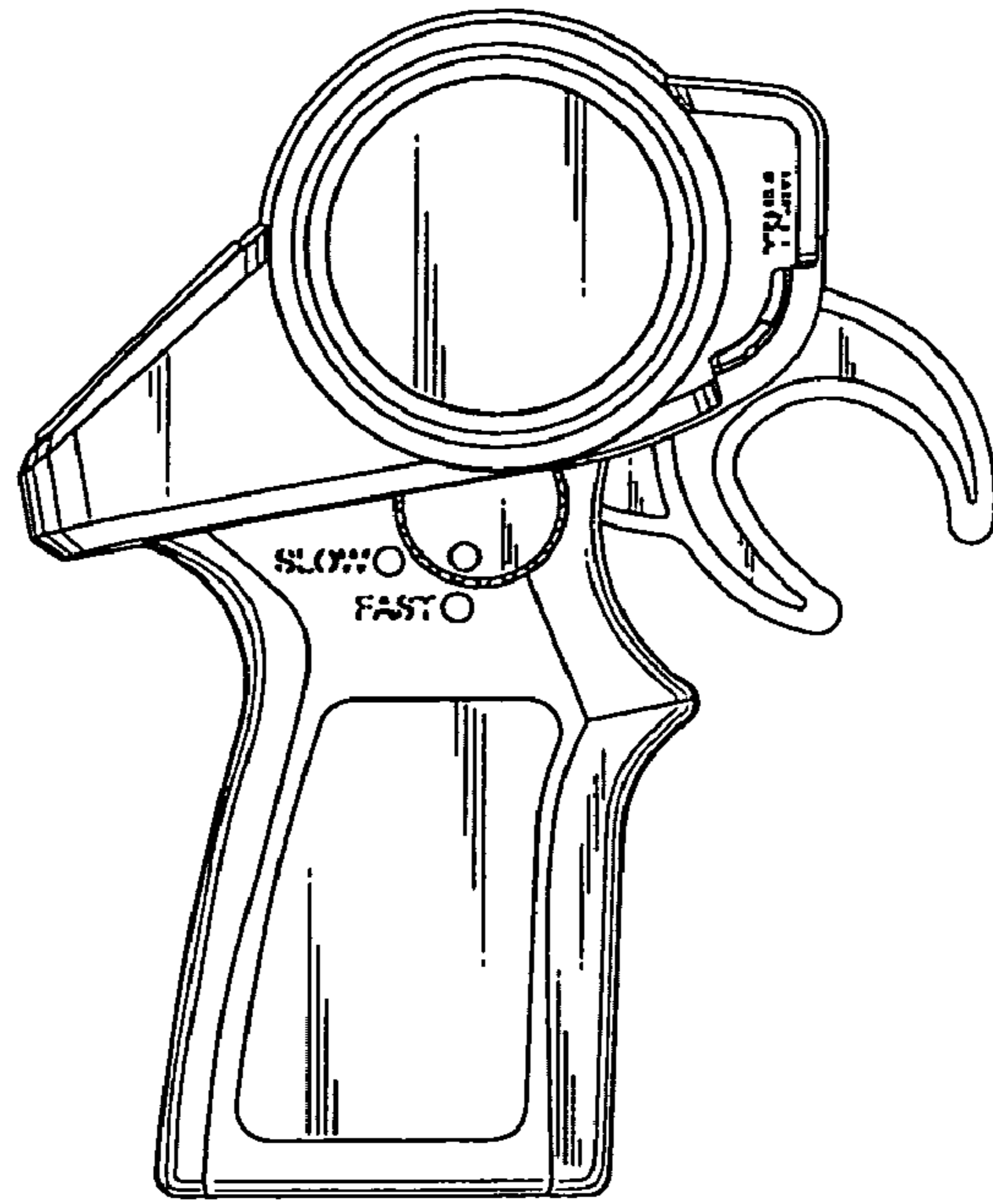


FIG. 2

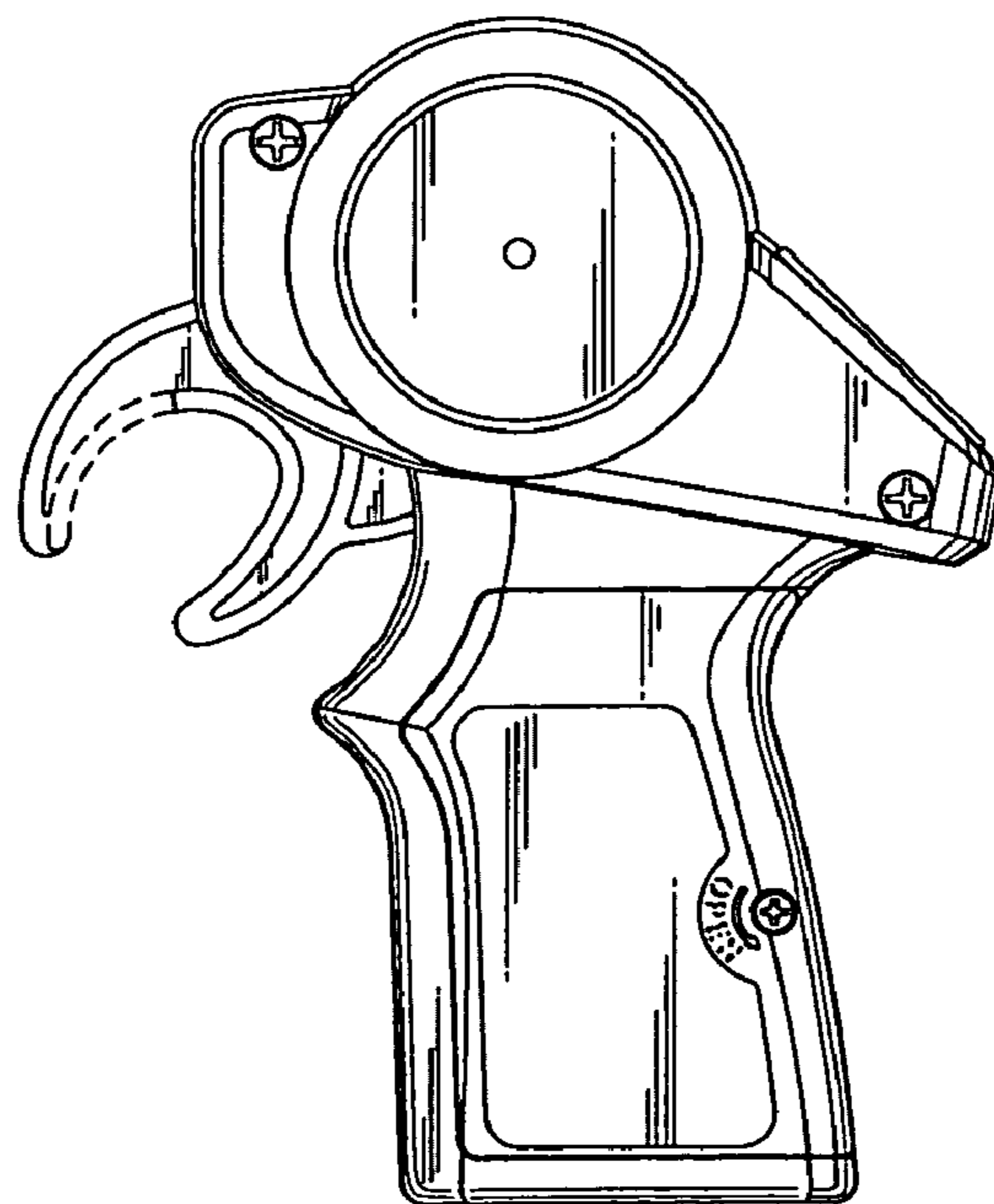


FIG. 3

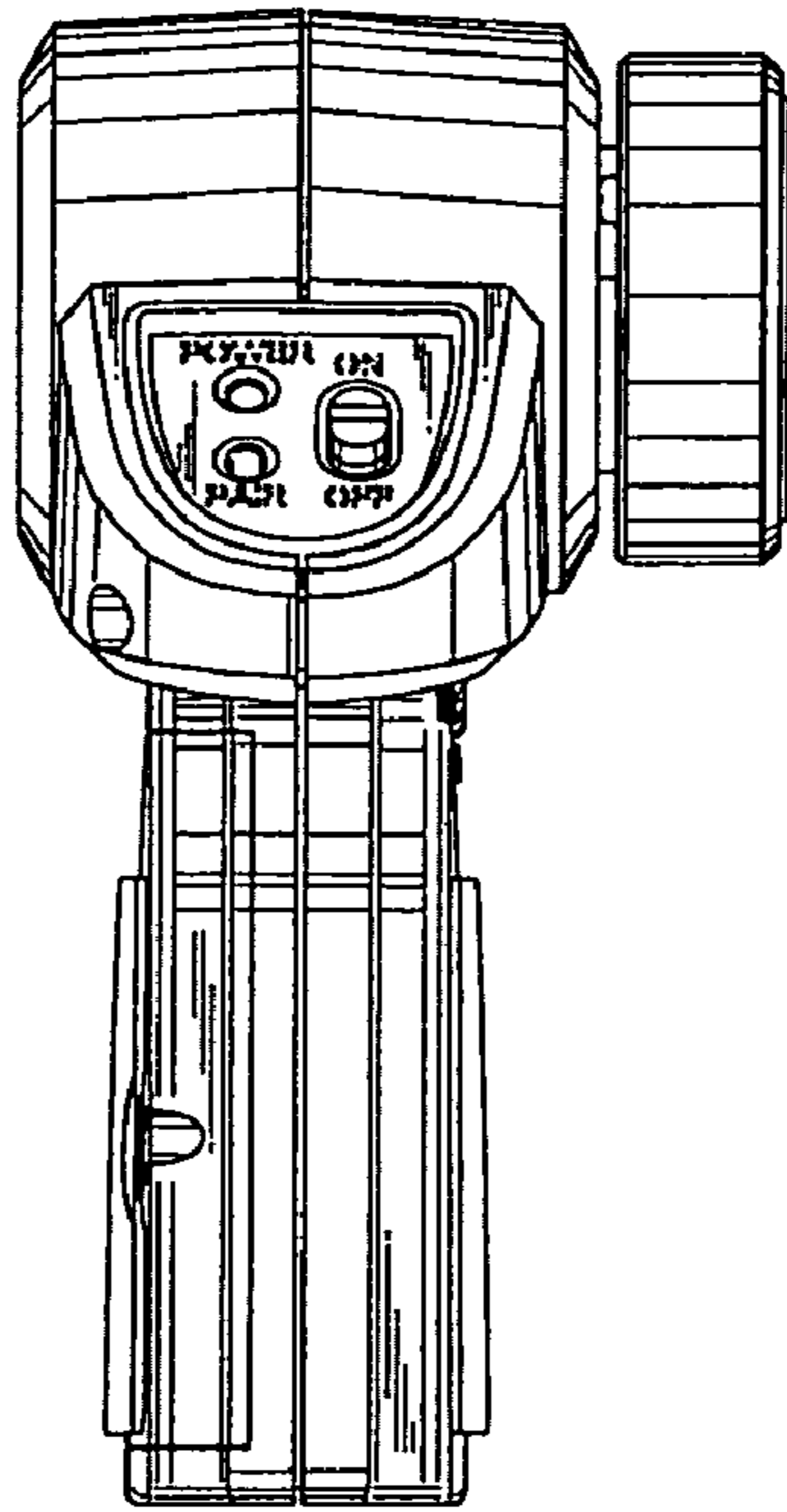


FIG. 4

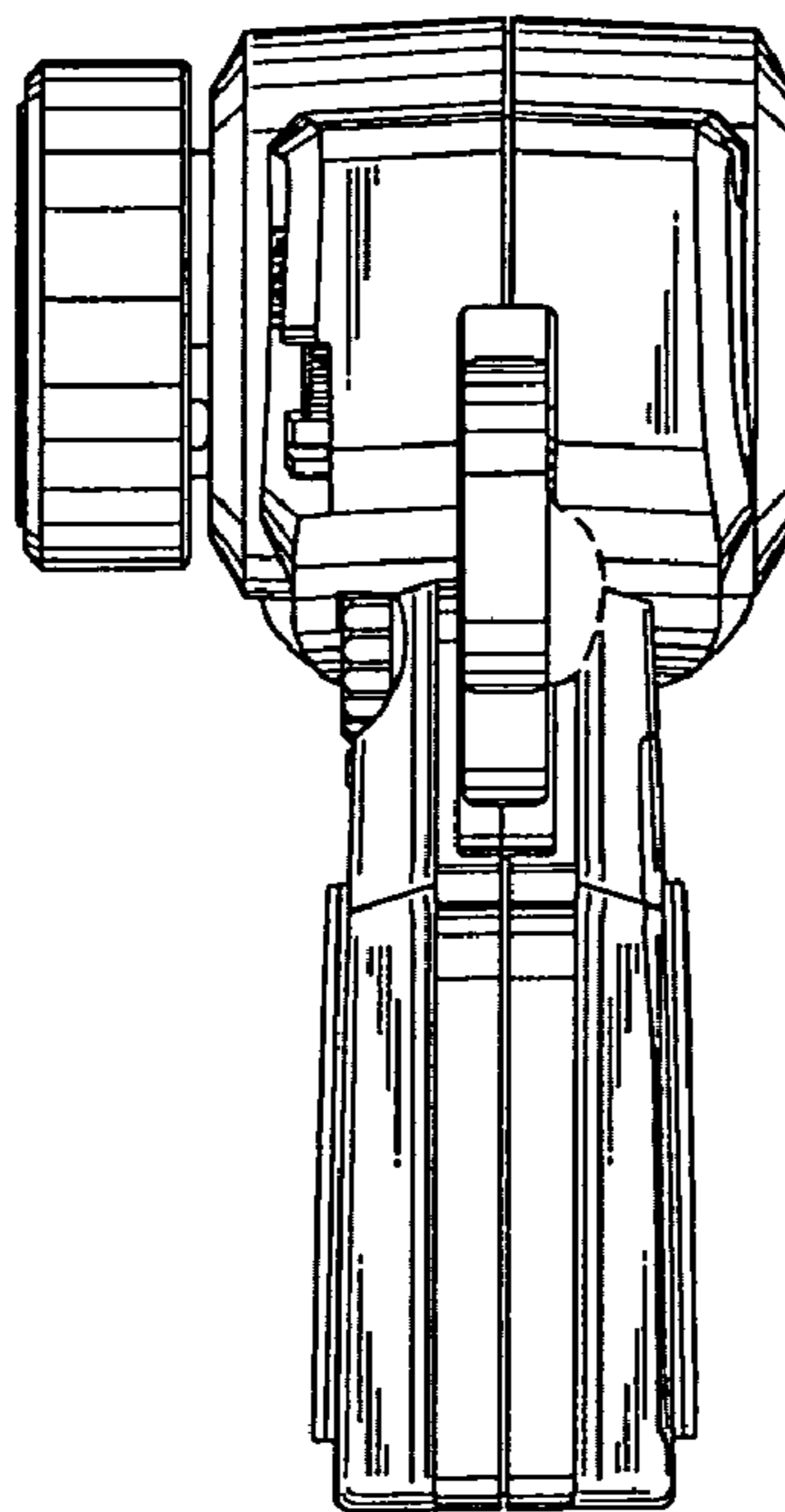


FIG. 5

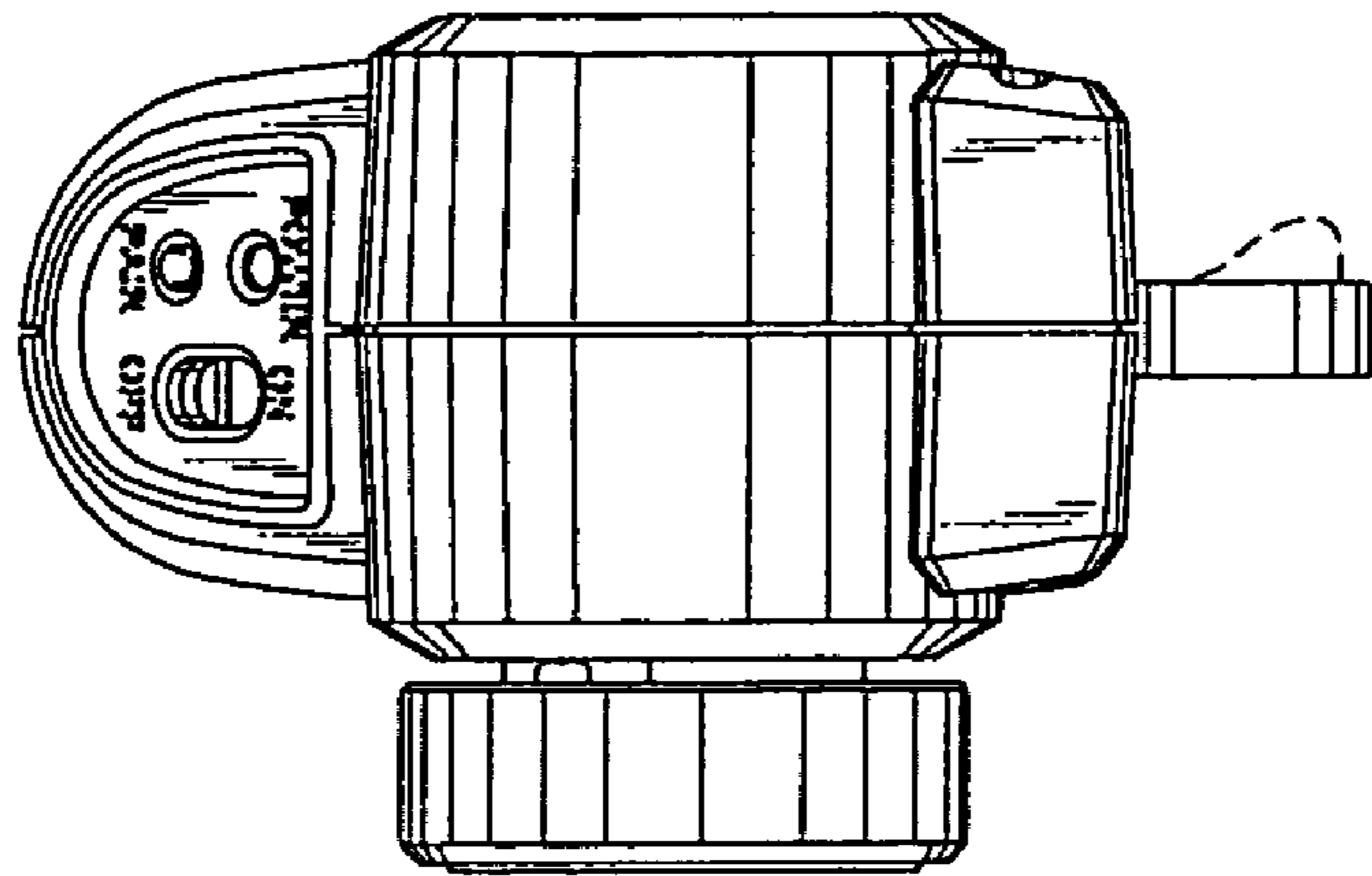


FIG. 6

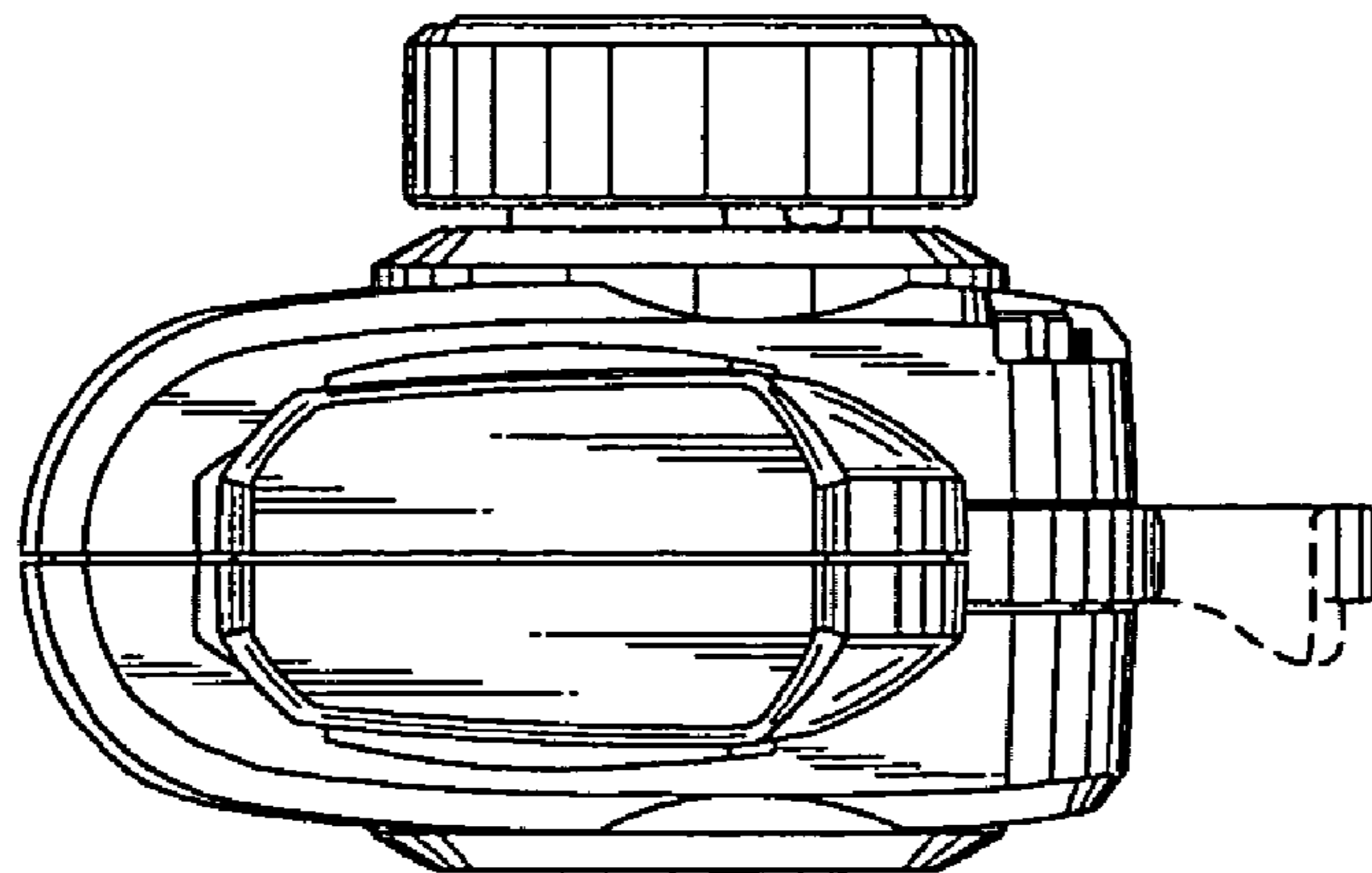


FIG. 7