



US00D652087S

(12) **United States Design Patent**
Dawes

(10) **Patent No.:** **US D652,087 S**
(45) **Date of Patent:** **** Jan. 10, 2012**

(54) **TOY CONSTRUCTION SET ELEMENT**

(75) Inventor: **Laurence Dawes, Arhus C (DK)**

(73) Assignee: **LEGO A/S, Billund (DK)**

(**) Term: **14 Years**

(21) Appl. No.: **29/366,736**

(22) Filed: **Jul. 29, 2010**

(30) **Foreign Application Priority Data**

Feb. 2, 2010 (EM) 001664368

(51) **LOC (9) Cl.** **21-01**

(52) **U.S. Cl.** **D21/489; D21/500**

(58) **Field of Classification Search** D21/453,
D21/484-487, 490, 491, 492, 494, 499-502,
D21/504, 506, 507; D25/35, 113, 114, 118;
446/69, 89, 92, 102-128; 434/259, 208,
434/403; 52/503; 273/153, 156, 160

See application file for complete search history.

(56) **References Cited**

U.S. PATENT DOCUMENTS

3,005,282 A * 10/1961 Christiansen 446/128
D285,583 S * 9/1986 Kassai D21/491

D344,302 S * 2/1994 Plagborg D21/491
D365,756 S * 1/1996 Rask et al. D9/435
D365,857 S * 1/1996 Lyman D21/491
D373,151 S * 8/1996 Mathiesen D21/489
D377,671 S * 1/1997 Gabriel D21/500
D389,408 S * 1/1998 Rask et al. D9/451
D605,235 S * 12/2009 Julich D21/489
D611,551 S * 3/2010 Julich D21/489
D617,396 S * 6/2010 Nielsen D21/500

* cited by examiner

Primary Examiner — Cynthia M Chin

(74) *Attorney, Agent, or Firm* — Day Pitney LLP

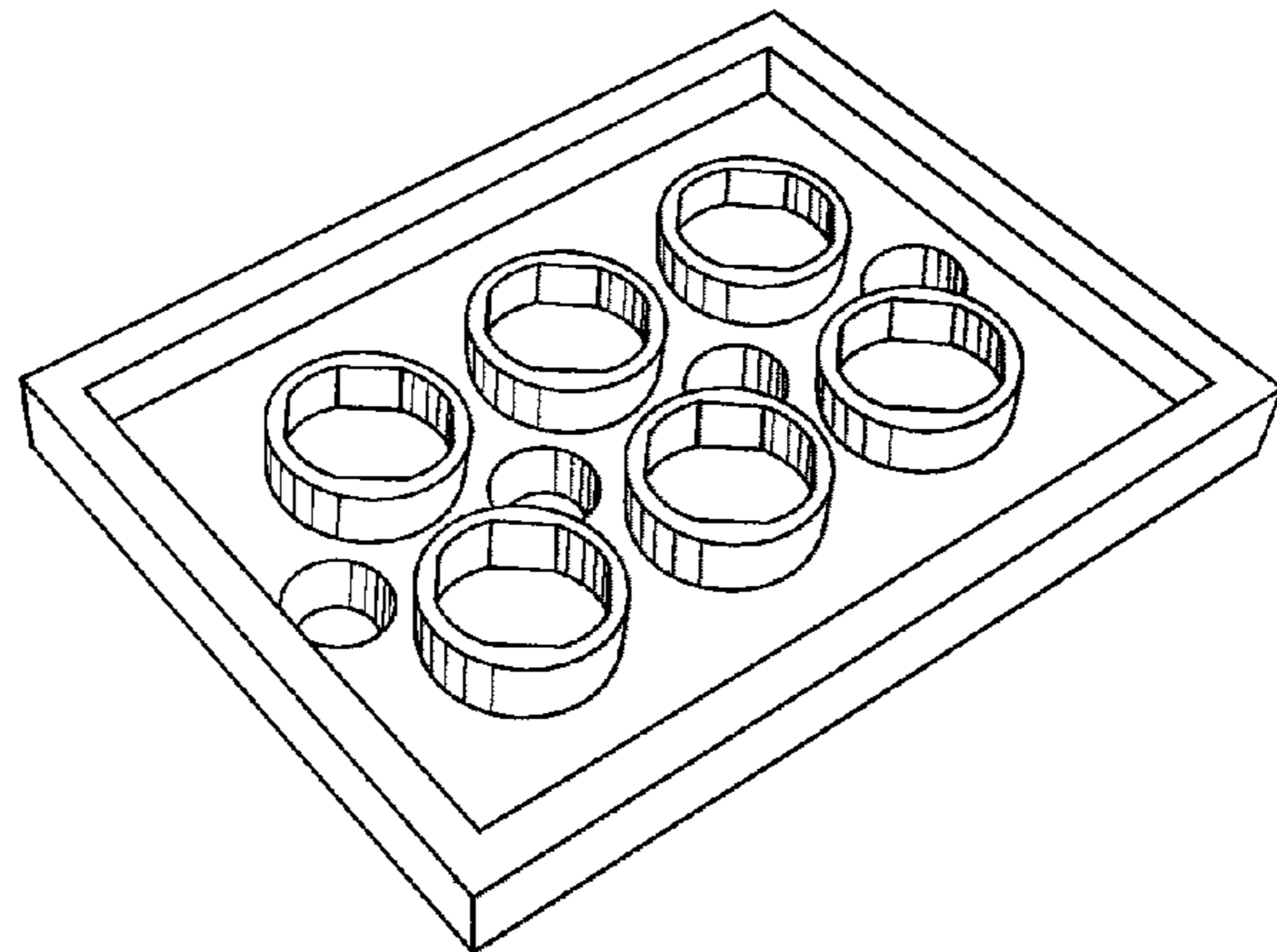
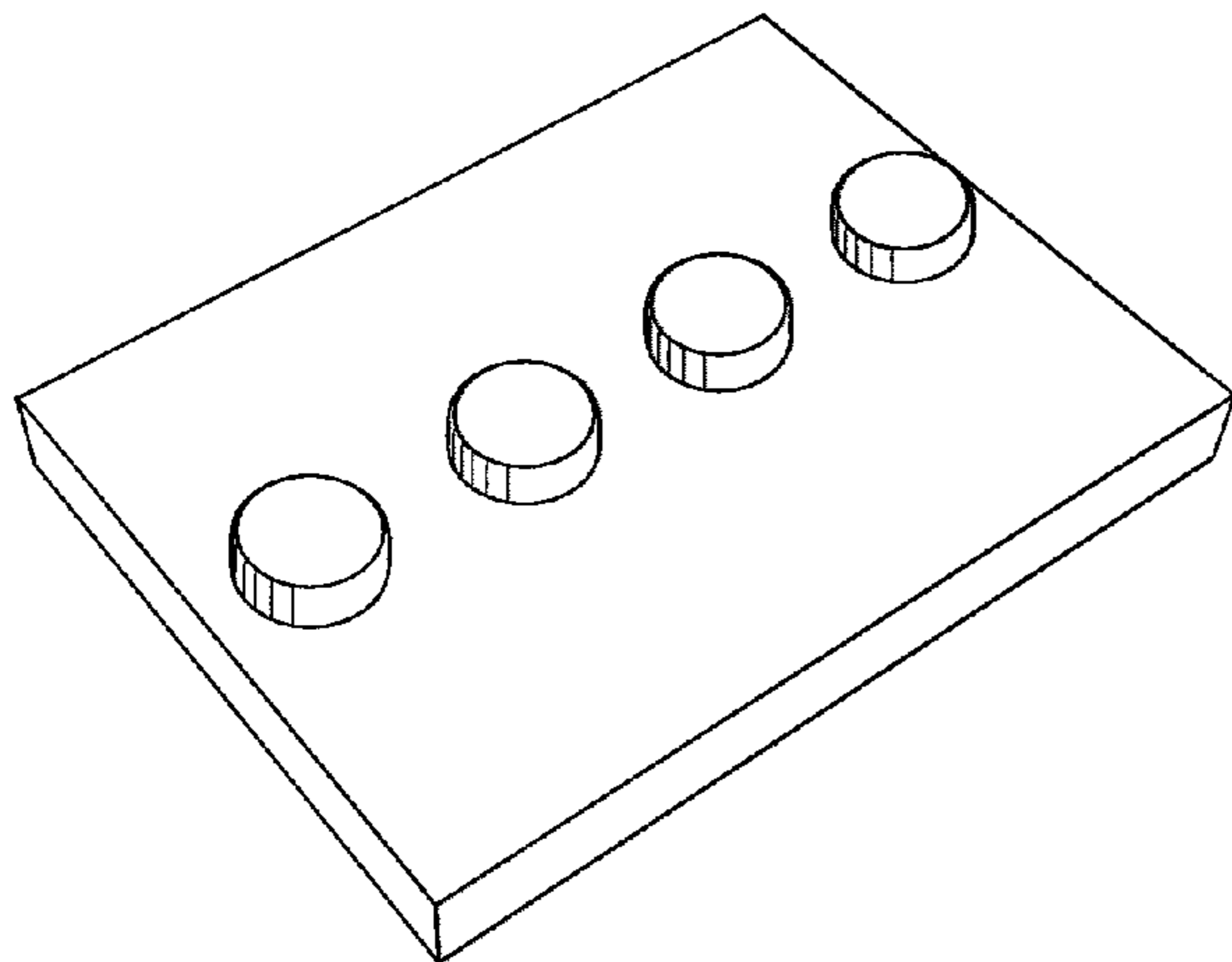
(57) **CLAIM**

The ornamental design for a toy construction set element, as shown and described.

DESCRIPTION

FIG. 1 is a top perspective view of my ornamental design for a toy construction set element;
FIG. 2 is a bottom perspective view thereof;
FIG. 3 is a top plan view thereof;
FIG. 4 is a bottom plan view thereof;
FIG. 5 is a right side view thereof;
FIG. 6 is a left side view thereof;
FIG. 7 is a front view thereof; and,
FIG. 8 is a rear view thereof.

1 Claim, 8 Drawing Sheets



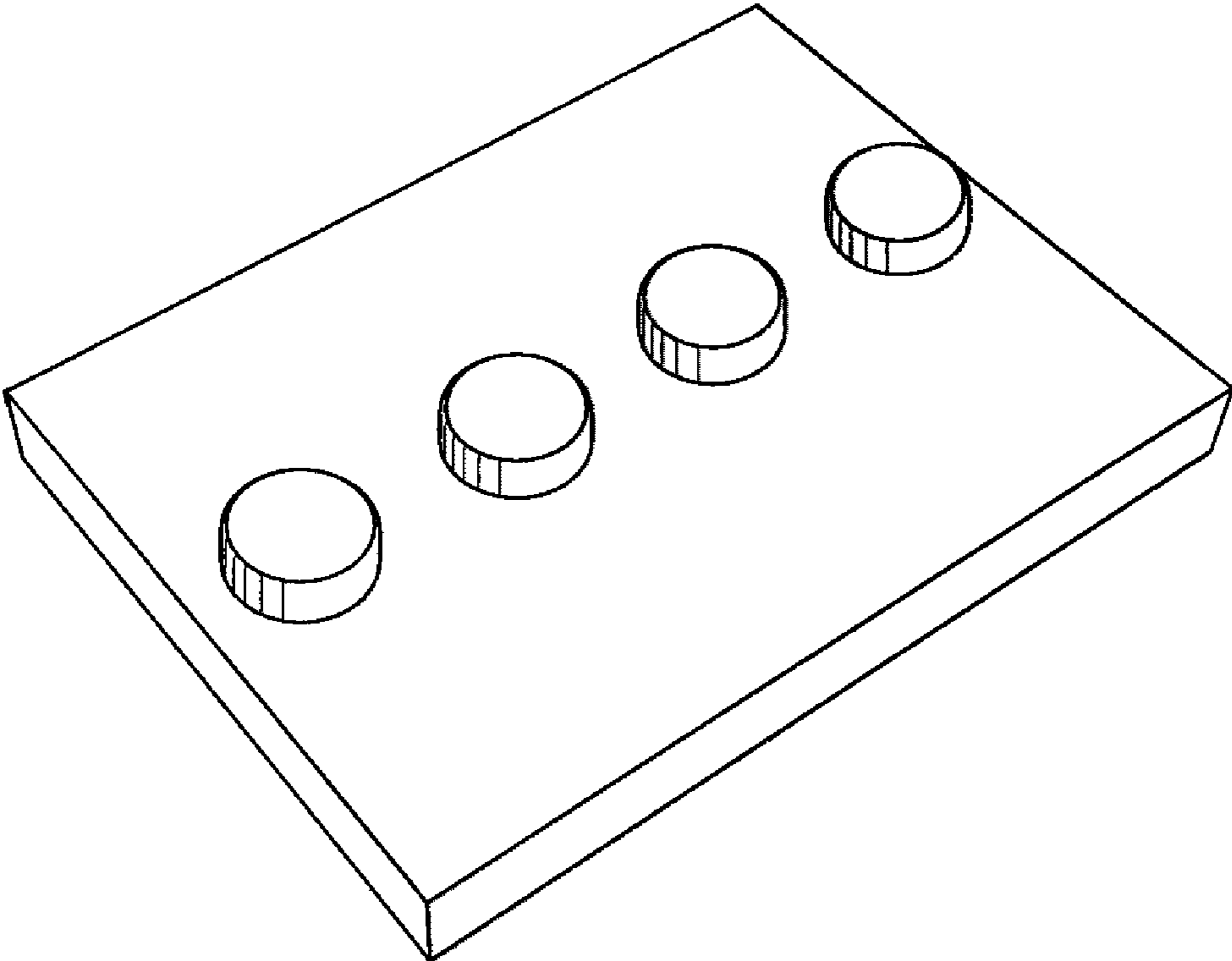


FIG. 1

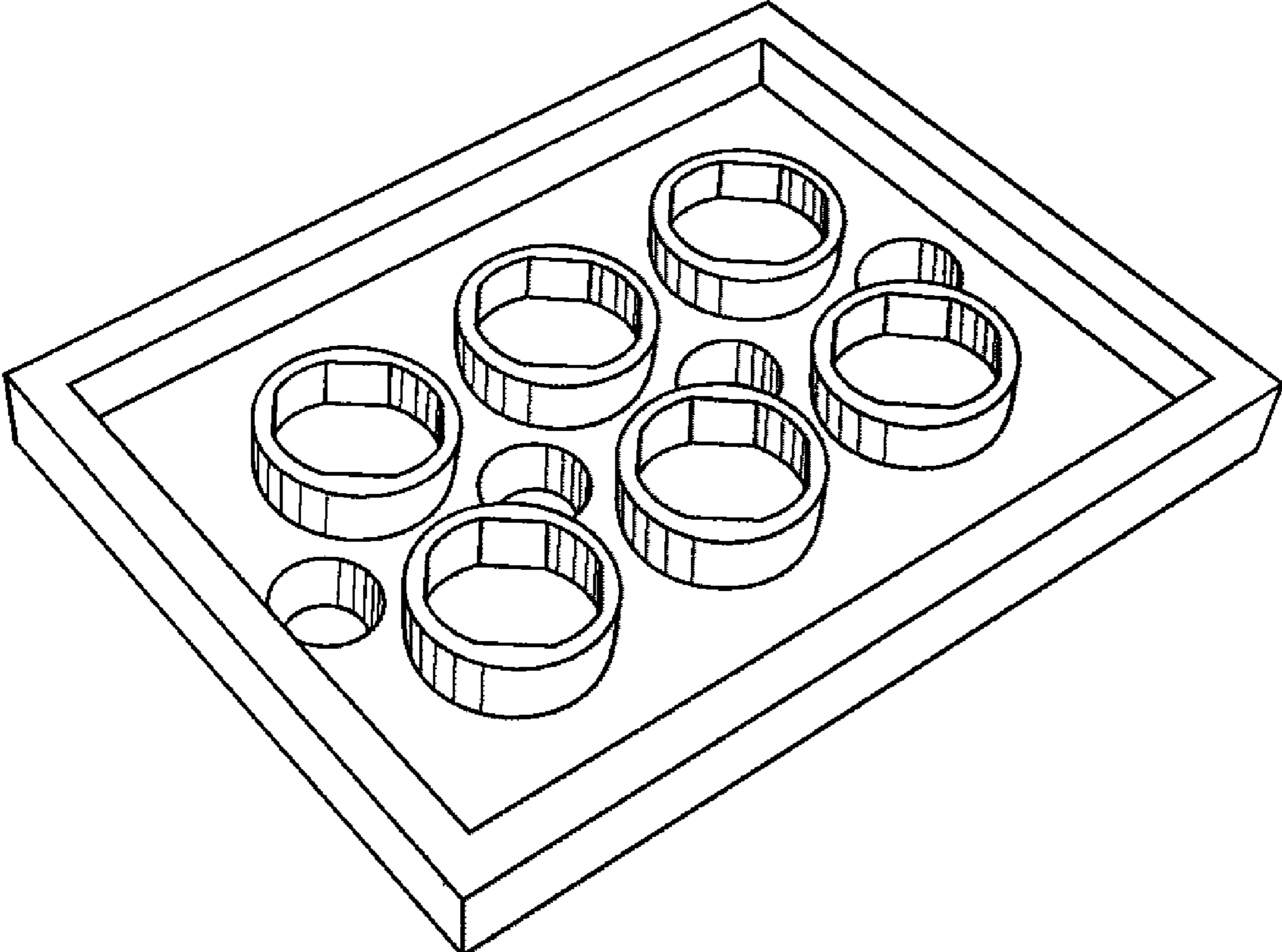


FIG. 2

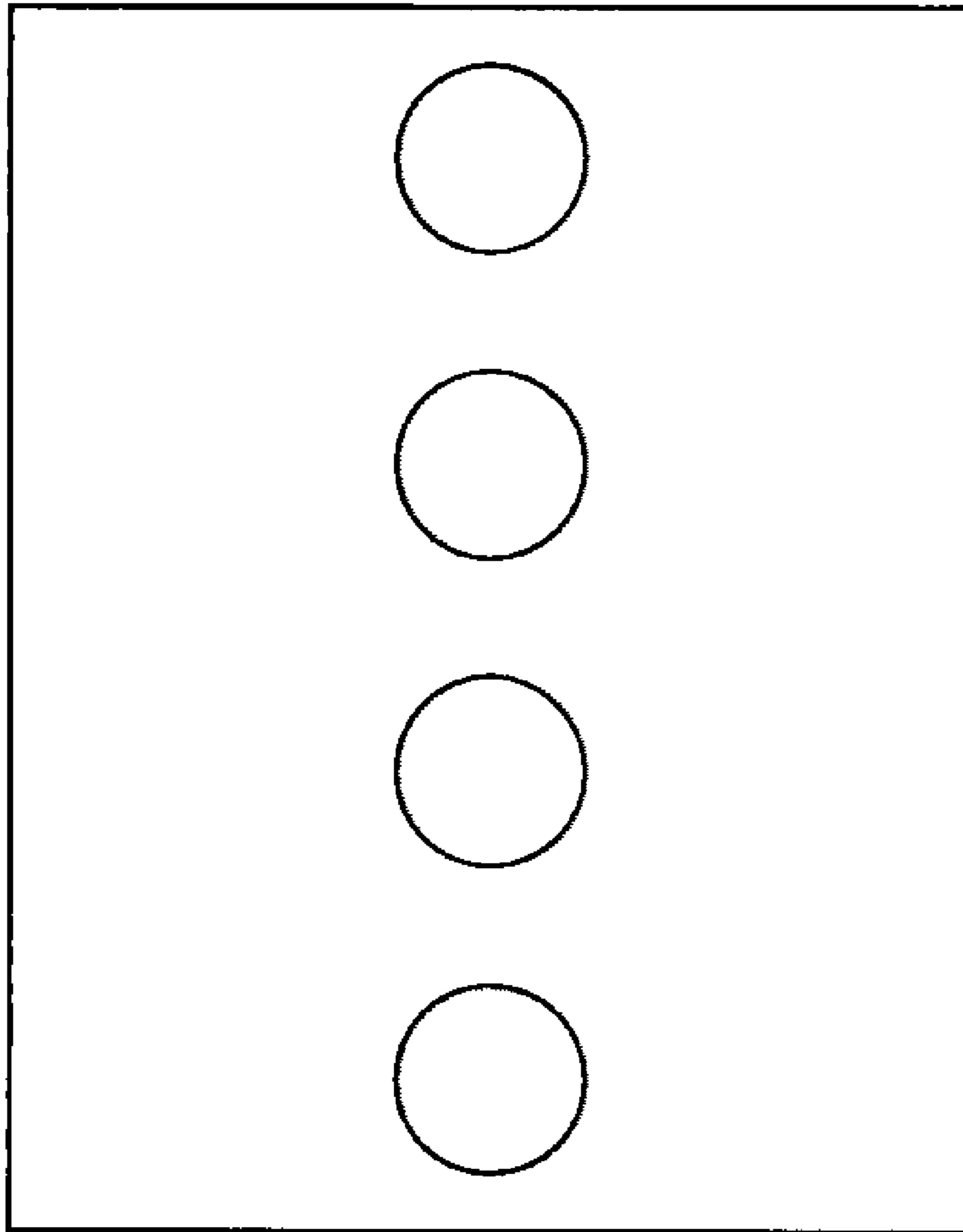


FIG. 3

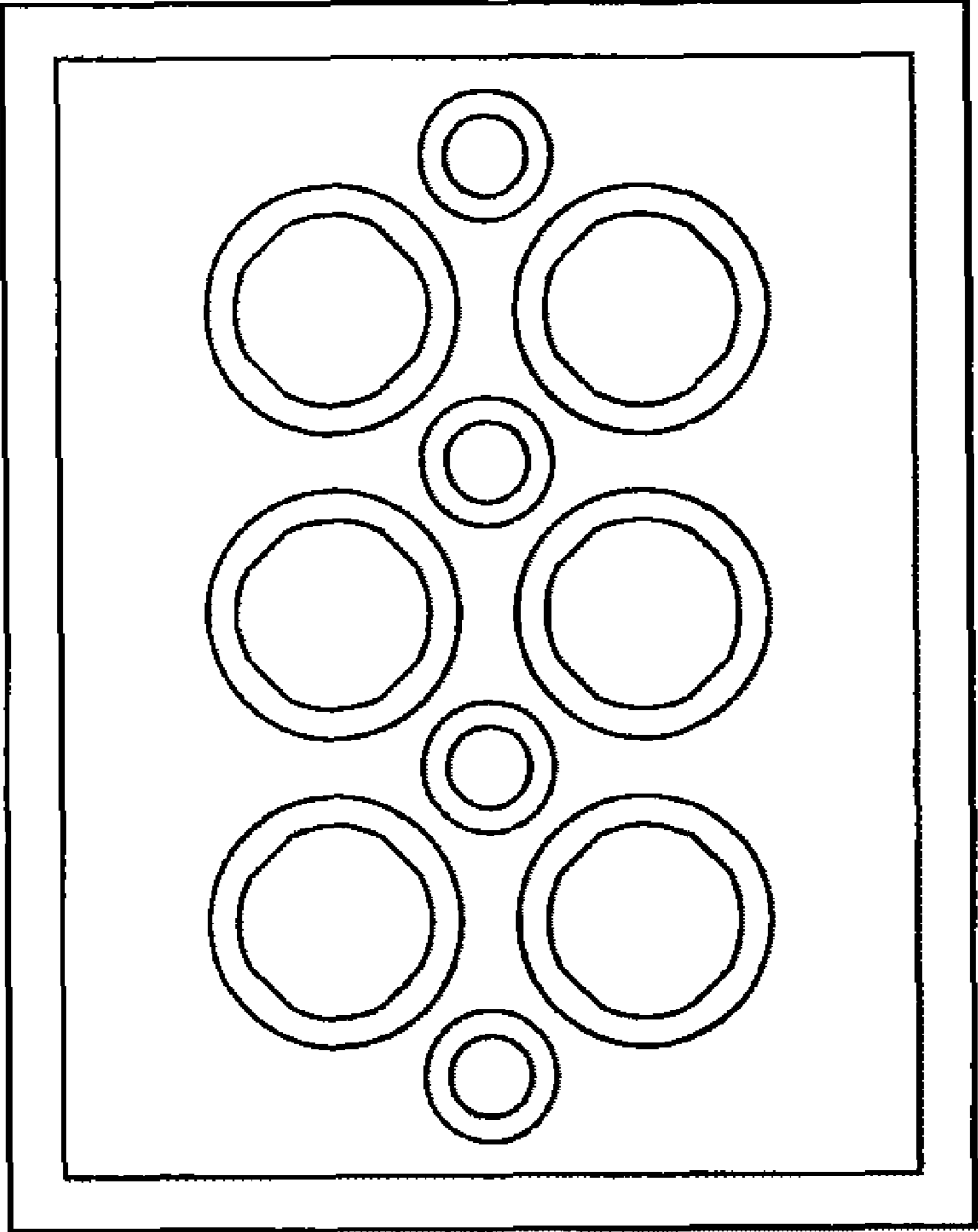


FIG. 4

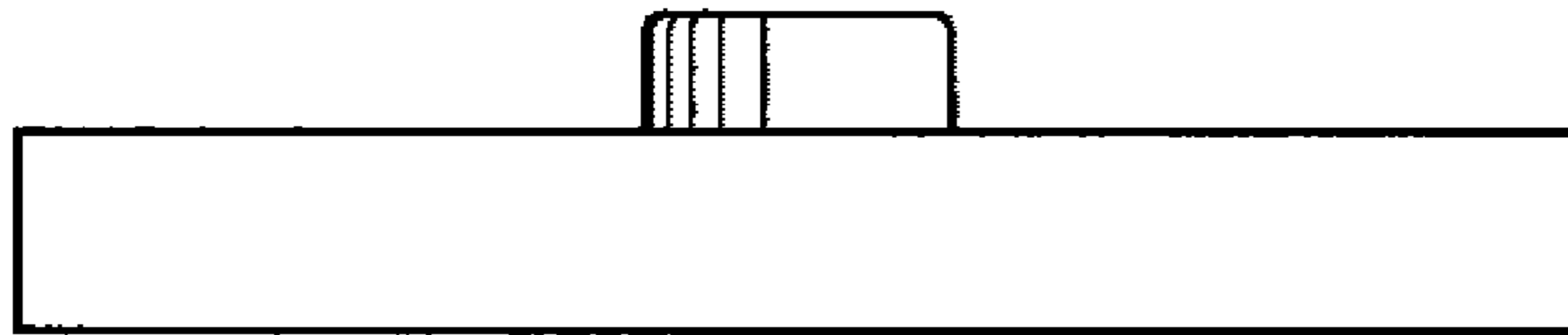


FIG. 5



FIG. 6

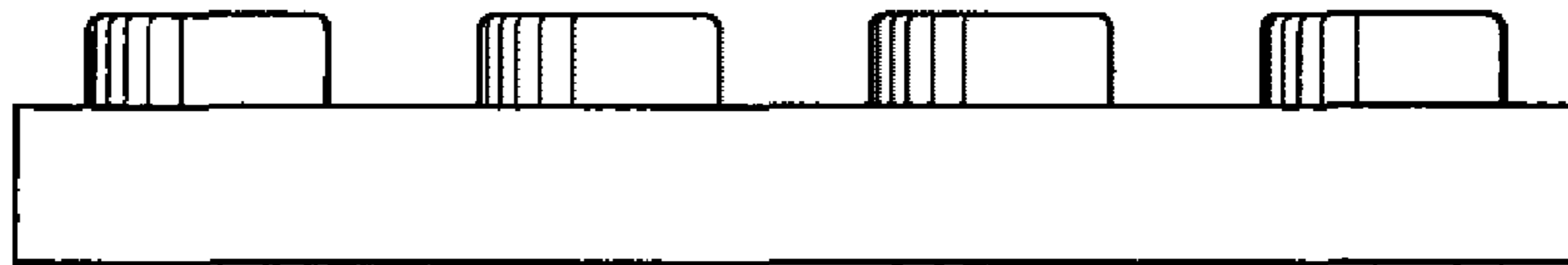


FIG. 7

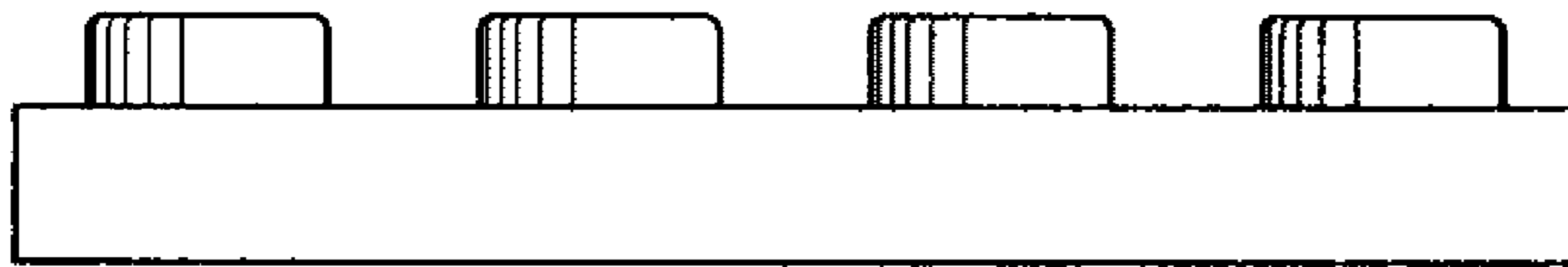


FIG. 8