



US00D652086S

(12) **United States Design Patent**  
**Schmidtem**

(10) **Patent No.:** **US D652,086 S**  
(45) **Date of Patent:** **\*\* Jan. 10, 2012**

(54) **TOY CAR**

(75) Inventor: **Jochen Schmidtem**, Berlin (DE)

(73) Assignee: **SILAG Handel AG**, Langenfeld (DE)

(\*\*) Term: **14 Years**

(21) Appl. No.: **29/366,482**

(22) Filed: **Jul. 26, 2010**

(30) **Foreign Application Priority Data**

Mar. 5, 2010 (DE) ..... 001199871

(51) **LOC (9) Cl.** ..... **21-01**

(52) **U.S. Cl.** ..... **D21/433**

(58) **Field of Classification Search** ..... D21/419,  
D21/424, 426, 433, 503, 533, 548, 549, 592,  
D21/831, 832, 833; 280/1.16, 1.165, 1.167,  
280/1.191, 1.192, 1.22, 1.23, 827, 828, 87.01,  
280/87.021, 87.03

See application file for complete search history.

(56) **References Cited**

**U.S. PATENT DOCUMENTS**

D50,475 S \* 3/1917 Kehl ..... D21/433  
D102,084 S \* 11/1936 Kraeft ..... D21/433  
D202,434 S \* 9/1965 Schreckengost ..... D21/426

D203,843 S \* 2/1966 Campbell ..... D21/433  
D213,511 S \* 3/1969 Moribe ..... D21/433  
D374,256 S \* 10/1996 Golling ..... D21/433  
D449,861 S \* 10/2001 Chiappetta et al. .... D21/433  
D468,369 S \* 1/2003 Chiappetta et al. .... D21/434  
D496,694 S \* 9/2004 Allemeier ..... D21/433  
D579,060 S \* 10/2008 Brockmeyer ..... D21/424  
D620,539 S \* 7/2010 Badanjo ..... D21/551

\* cited by examiner

*Primary Examiner* — Cynthia M Chin

(74) *Attorney, Agent, or Firm* — Henry M. Feierisen; Ursula B. Day

(57) **CLAIM**

The ornamental design for a toy car, as shown and described.

**DESCRIPTION**

FIG. 1 is a front elevational view of a toy car showing my new design;

FIG. 2 is a rear elevational view thereof;

FIG. 3 is a left side elevational view thereof;

FIG. 4 is a right side elevational view thereof;

FIG. 5 is a bottom view thereof;

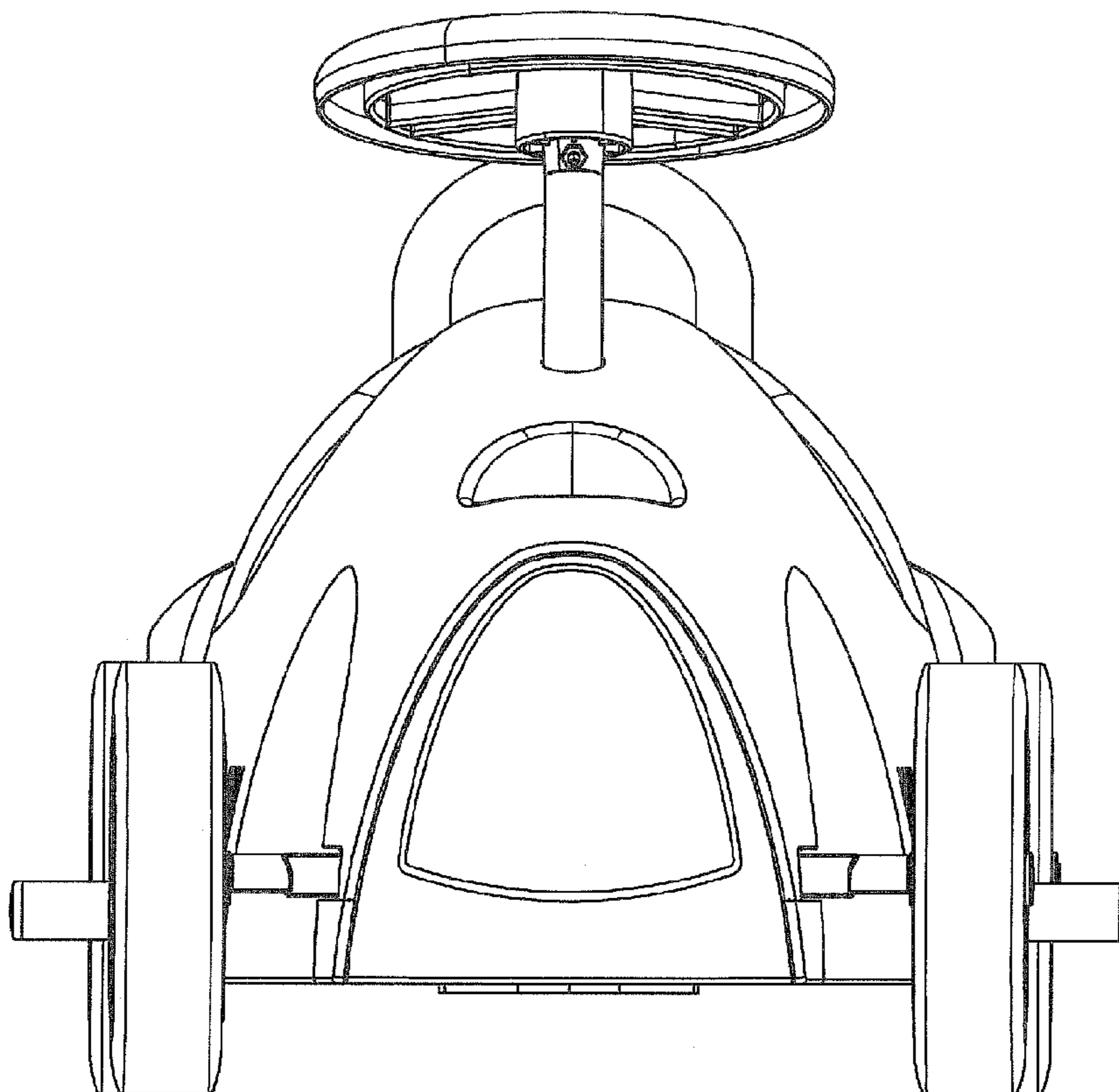
FIG. 6 is a top view thereof;

FIG. 7 is a right front perspective view thereof; and,

FIG. 8 is a left side rear perspective view thereof.

That portion of the FIGS. shown in broken lines form no part of the claimed design.

**1 Claim, 8 Drawing Sheets**



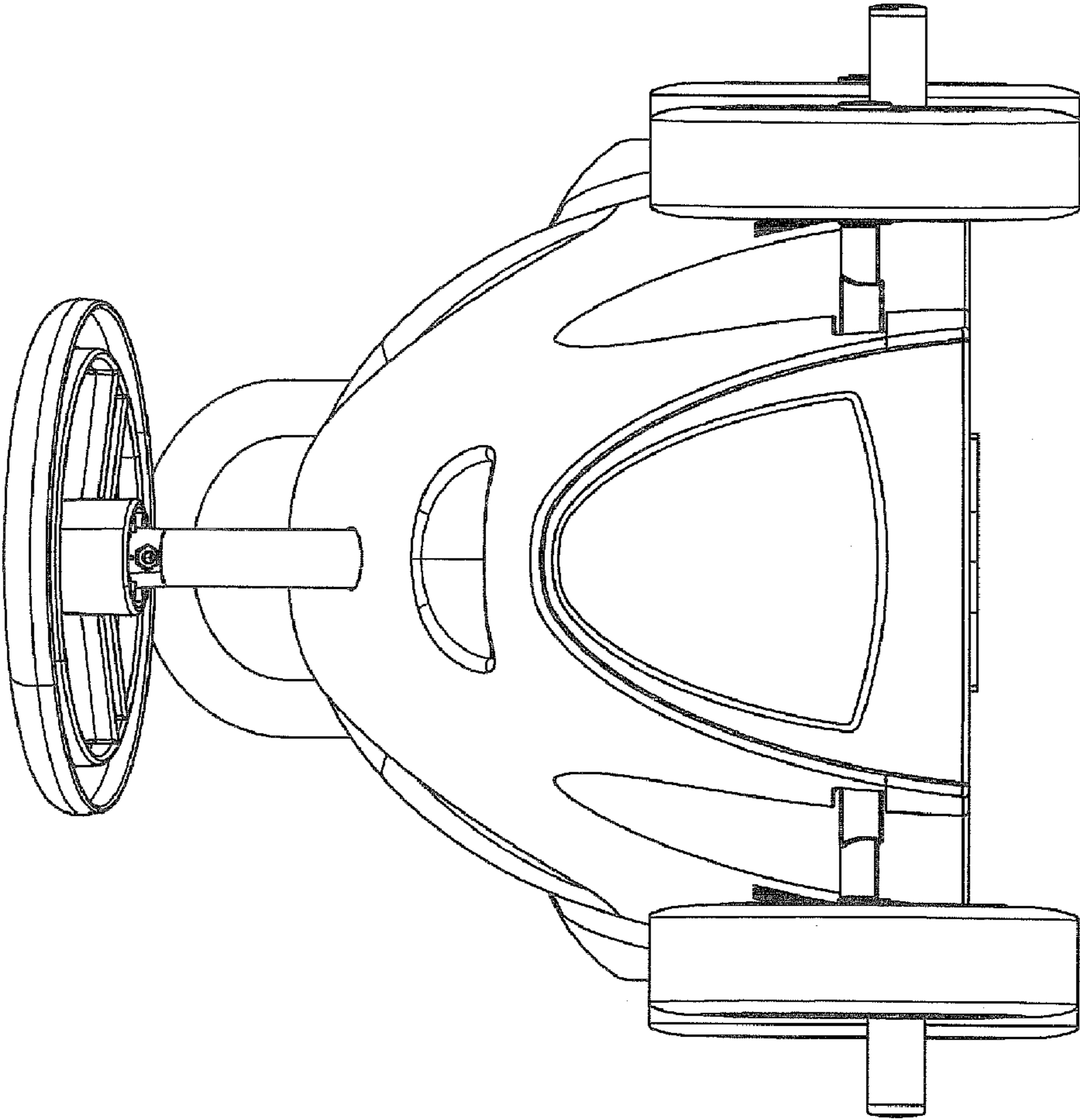


FIG. 1

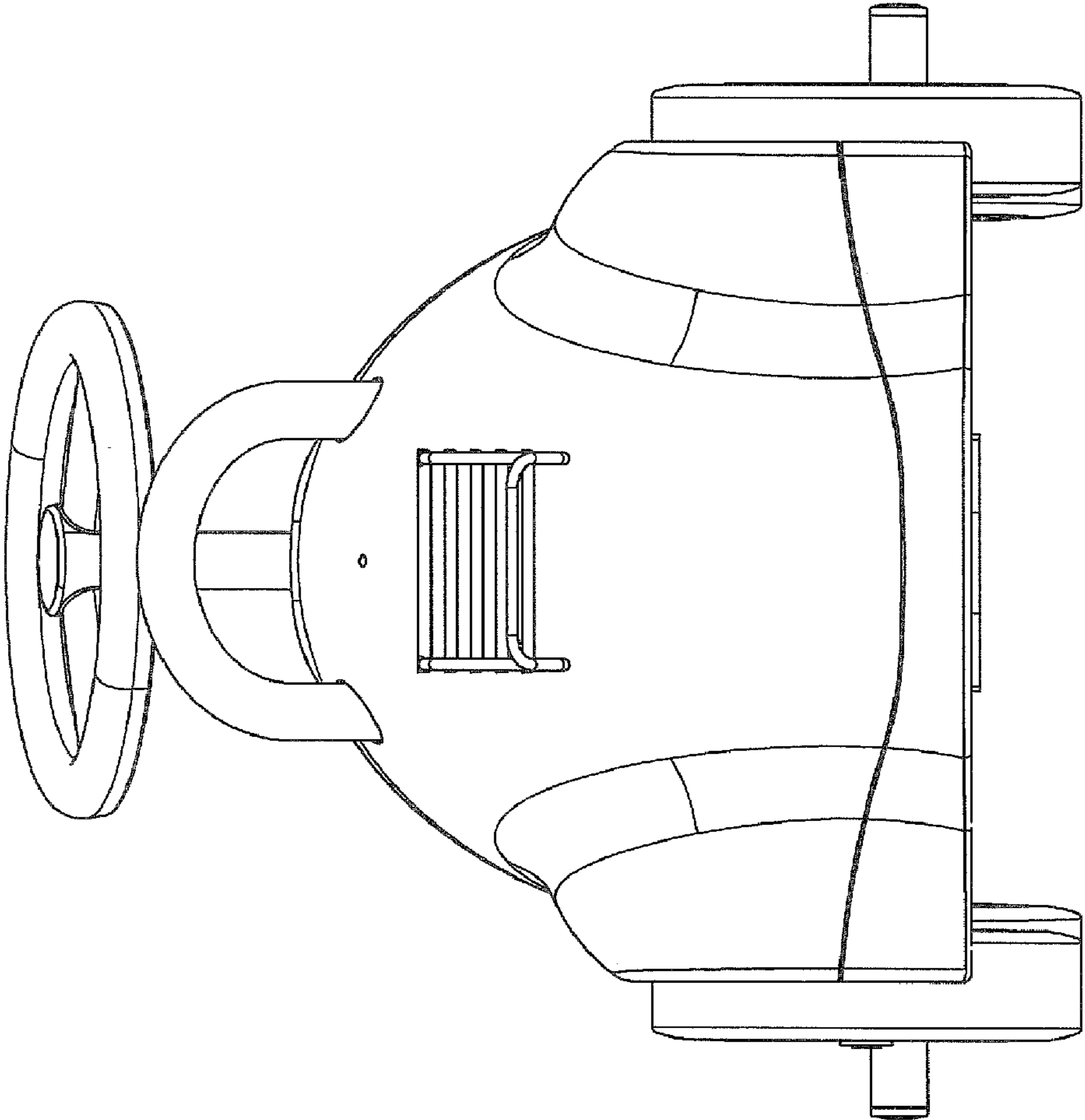


FIG. 2

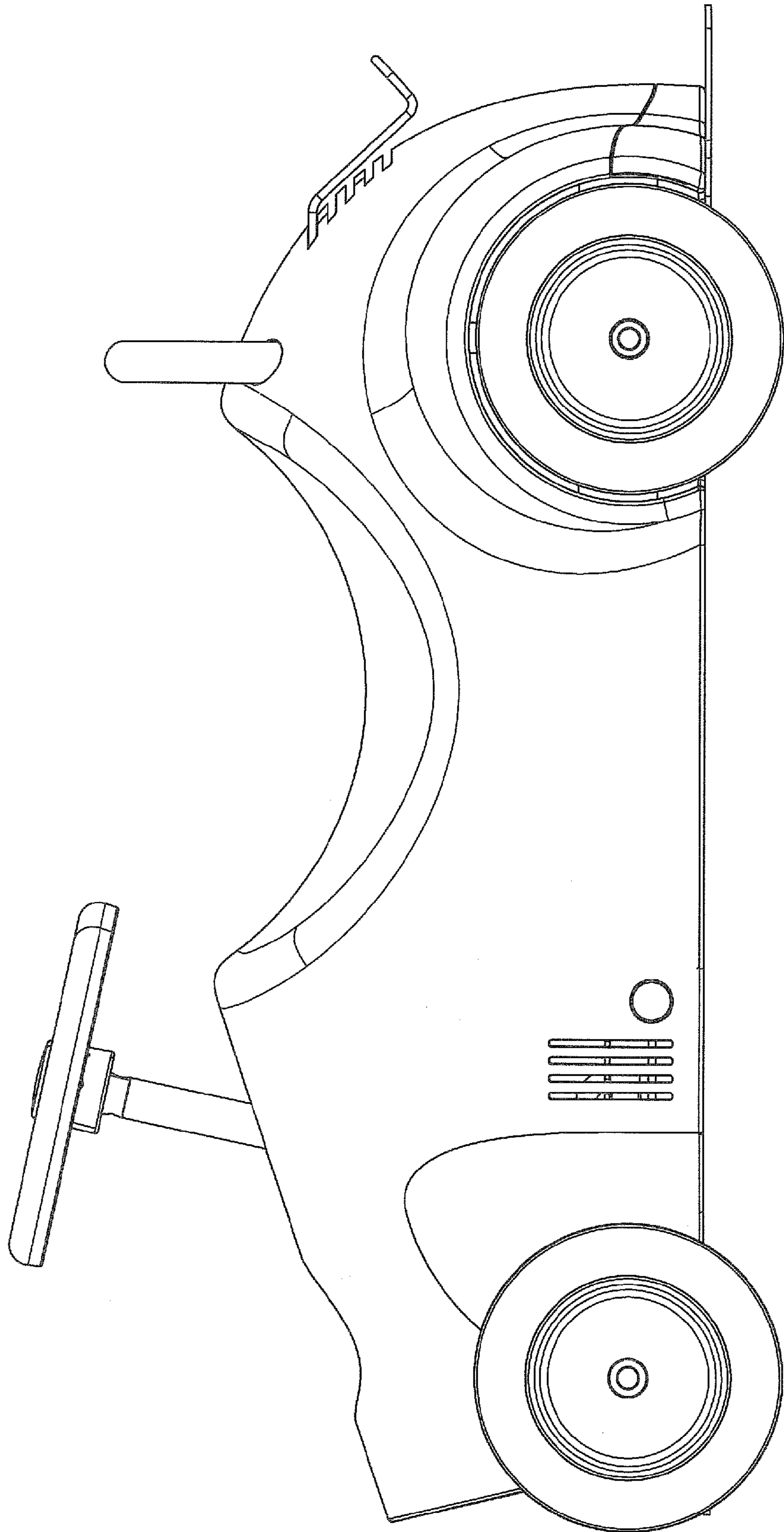


FIG. 3

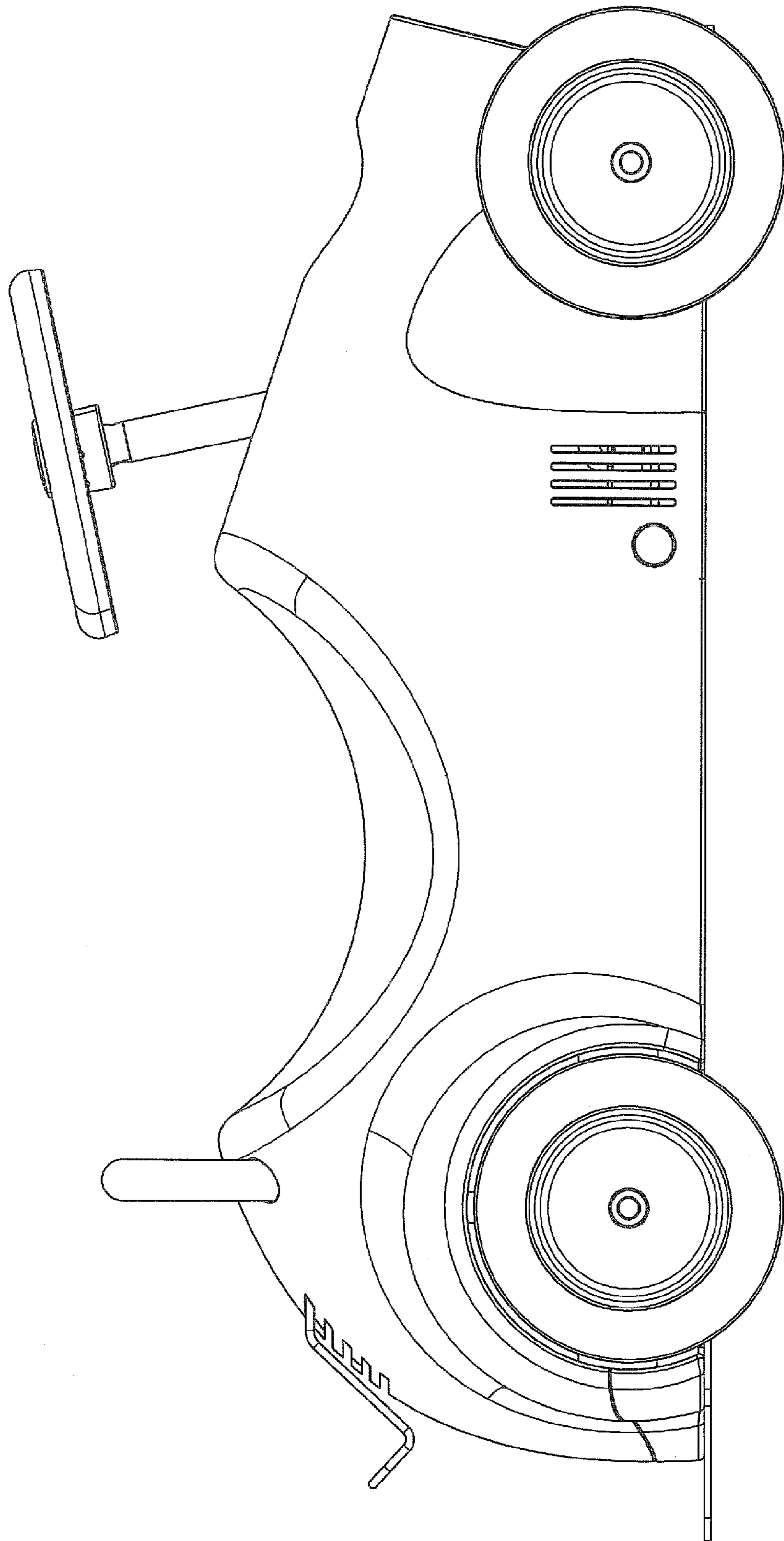


FIG. 4

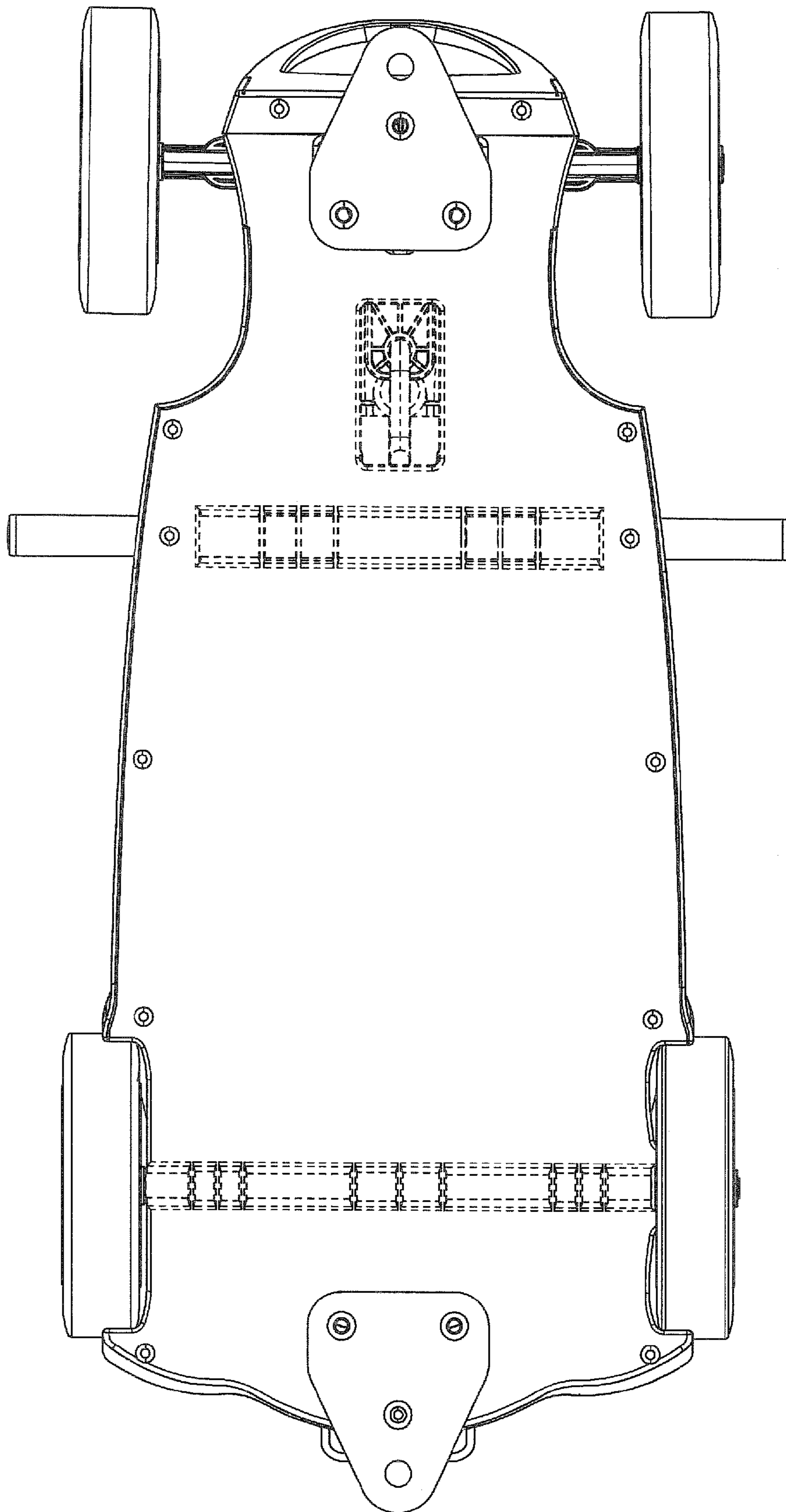


FIG. 5

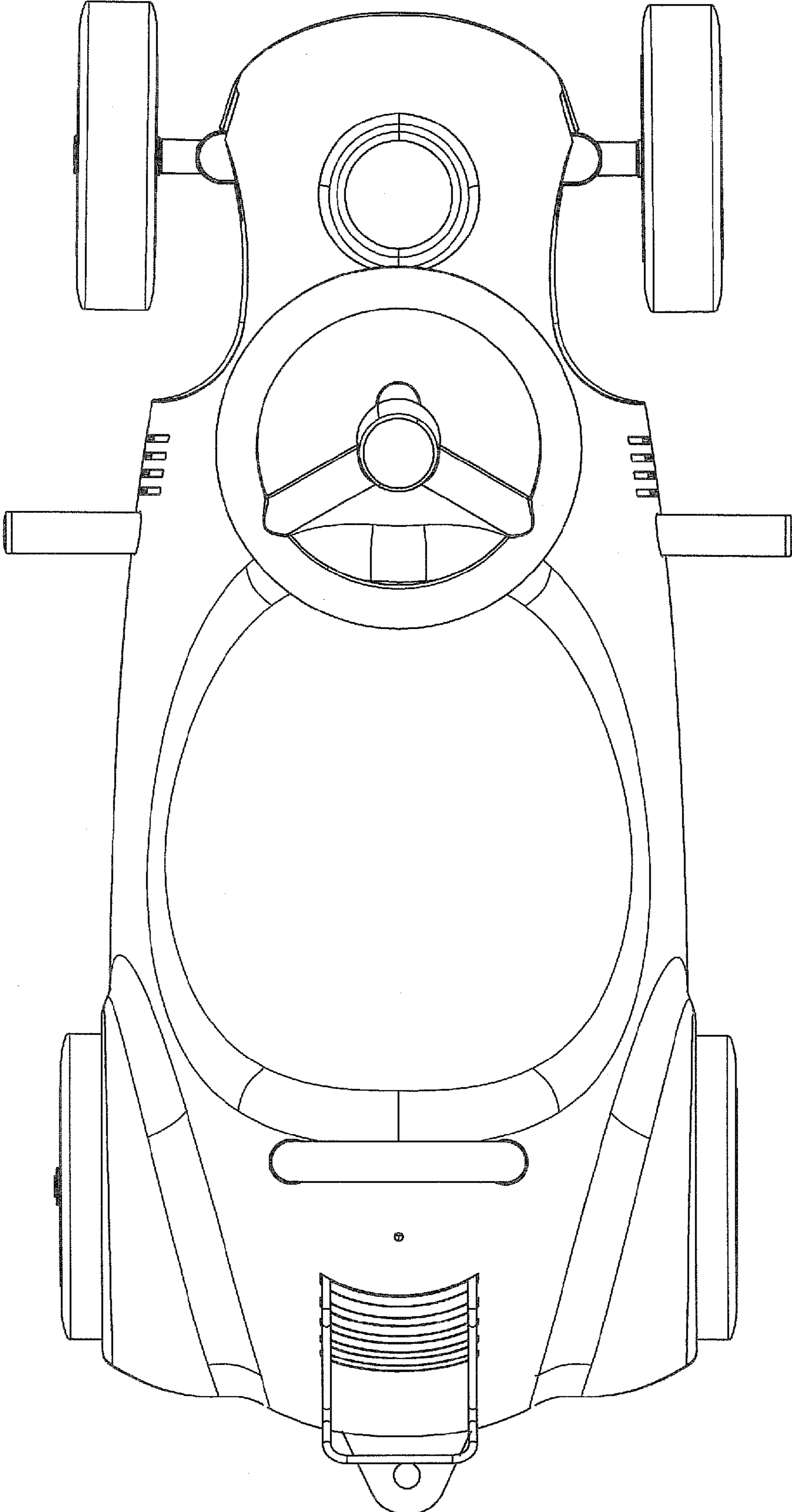


FIG. 6.

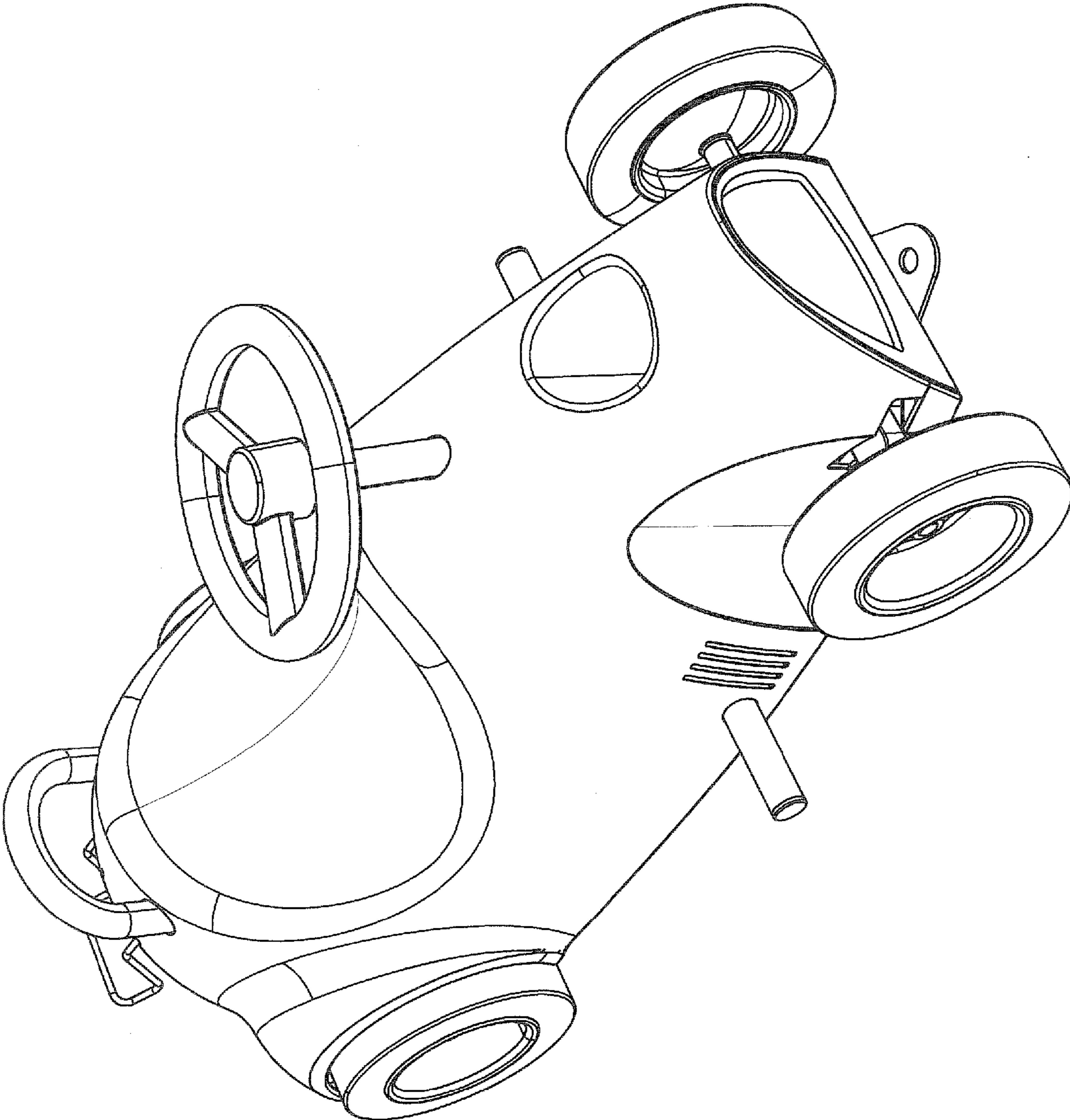


FIG. 7



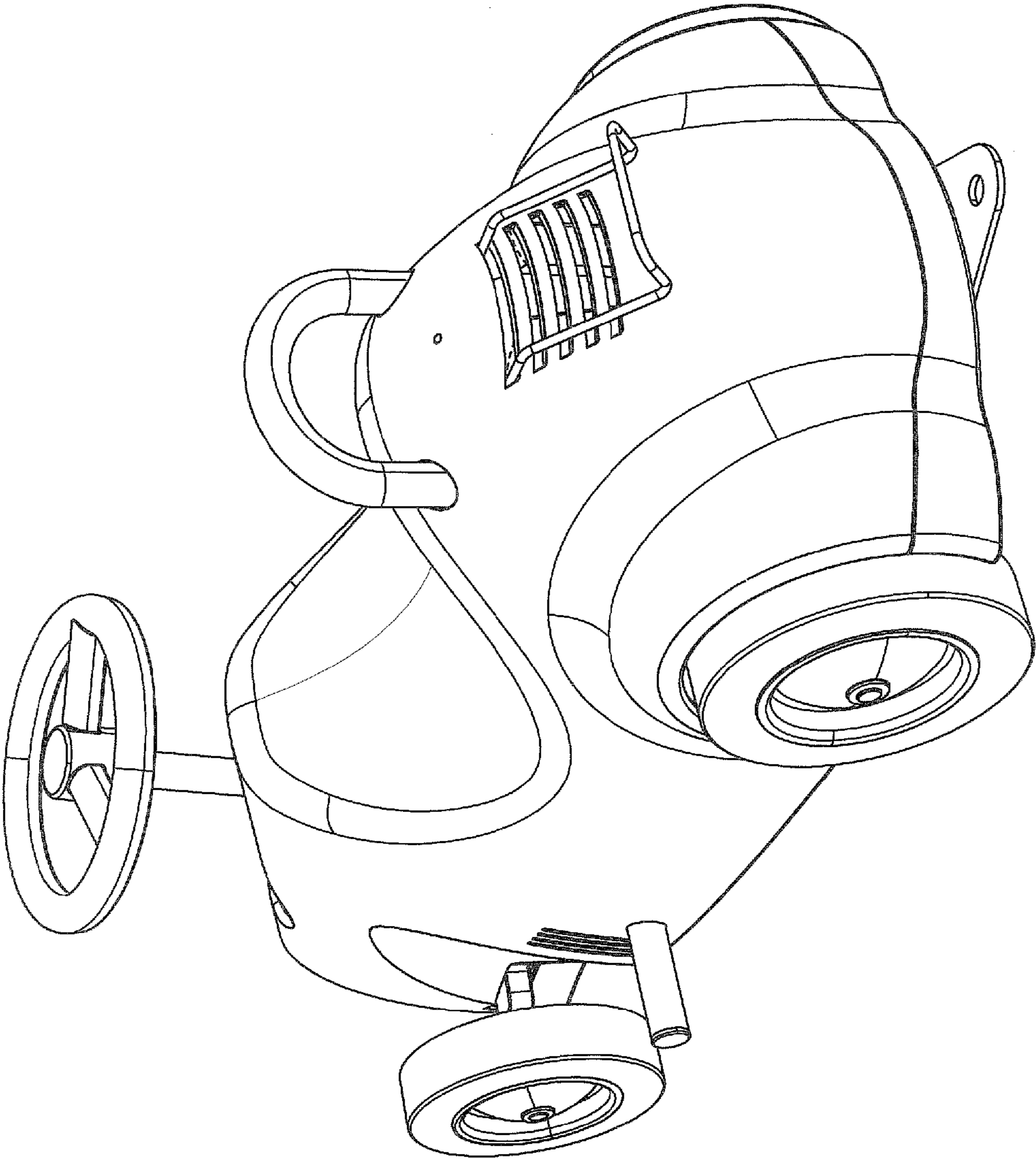


FIG. 8