



US00D652085S

(12) **United States Design Patent**
Van Der Merwe et al.

(10) **Patent No.:** **US D652,085 S**
(45) **Date of Patent:** **** Jan. 10, 2012**

(54) **CHILD'S GO-CART**

(75) Inventors: **Jean Pierre Van Der Merwe**, Somerset West (ZA); **Jaco Kruger**, Gordons Bay (ZA)

(73) Assignee: **Chrome Cherry Trust**, Cape Town (ZA)

(**) Term: **14 Years**

(21) Appl. No.: **29/388,005**

(22) Filed: **Mar. 23, 2011**

(30) **Foreign Application Priority Data**

Sep. 23, 2010 (ZA) A2010/01333

(51) **LOC (9) Cl.** **21-01**

(52) **U.S. Cl.** **D21/427; D21/424**

(58) **Field of Classification Search** D21/412, D21/414, 419, 423-428, 431-435; D12/1, D12/107, 110-114, 129, 130, 133; 280/87.01, 280/87.021, 87.05, 87.051, 47.17, 47.25, 280/47.34, 47.38, 47.4, 827, 828, 29, 200, 280/263, 270, 282, 288.4, 291, 293; 297/5; 482/68; D11/224

See application file for complete search history.

(56) **References Cited**

U.S. PATENT DOCUMENTS

D63,052	S	*	9/1923	Hyman	D21/428
D232,061	S	*	7/1974	Christiansen	D11/224
3,839,821	A	*	10/1974	Forsman	446/28
D270,848	S	*	10/1983	Echterling	D21/428
5,862,615	A	*	1/1999	O'Rourke	446/139
D464,584	S	*	10/2002	Tsukayama	D11/81
D510,157	S	*	9/2005	Haywood	D27/114
D515,729	S	*	2/2006	Haywood	D27/106
D566,199	S	*	4/2008	Wiebenga et al.	D21/419
D579,502	S	*	10/2008	Hourdeaux	D21/426
D641,798	S	*	7/2011	Latham	D21/419

* cited by examiner

Primary Examiner — Cynthia M Chin

(74) *Attorney, Agent, or Firm* — Hoffman Warnick LLC

(57) **CLAIM**

The ornamental design for a child's go-cart, as shown and described.

DESCRIPTION

FIG. 1 is left side view of a child's go-cart according to the present design.

FIG. 2 is a right side view of FIG. 1.

FIG. 3 is a top view of FIG. 1.

FIG. 4 is a bottom view of FIG. 1.

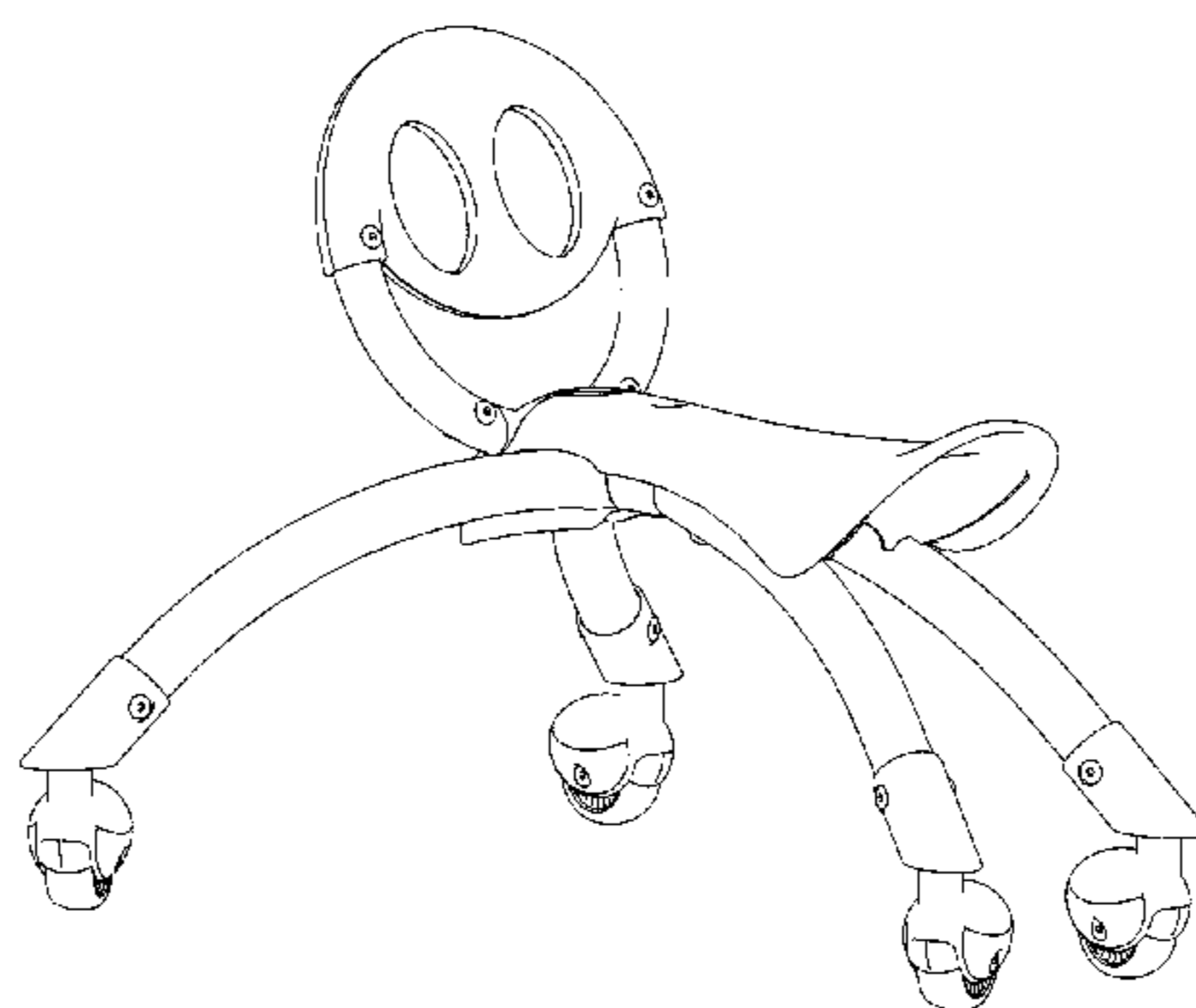
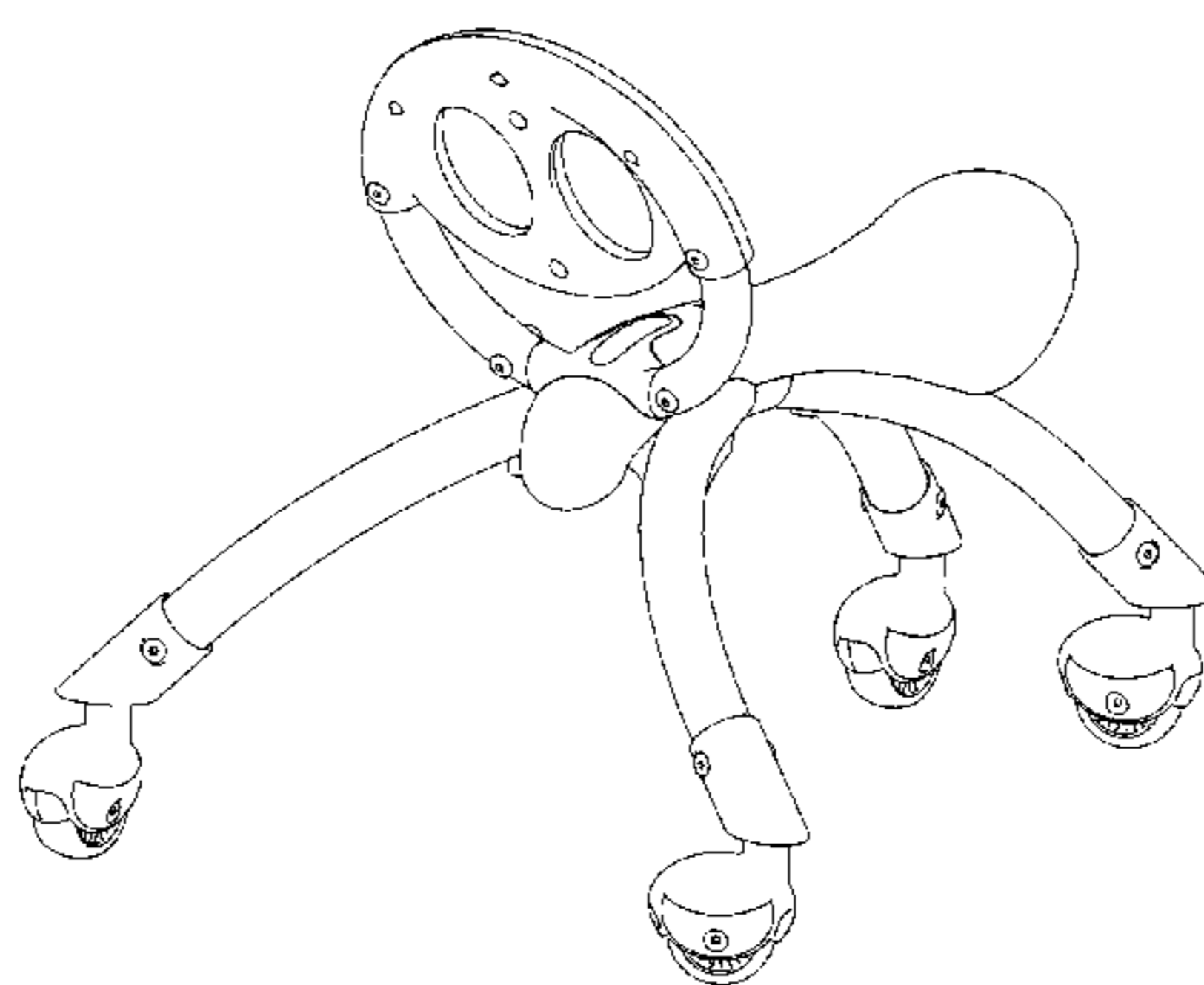
FIG. 5 is a front isometric view of FIG. 1.

FIG. 6 is a rear isometric view of FIG. 1.

FIG. 7 is a bottom rear isometric view of FIG. 1; and,

FIG. 8 is a bottom front isometric view of FIG. 1.

1 Claim, 4 Drawing Sheets



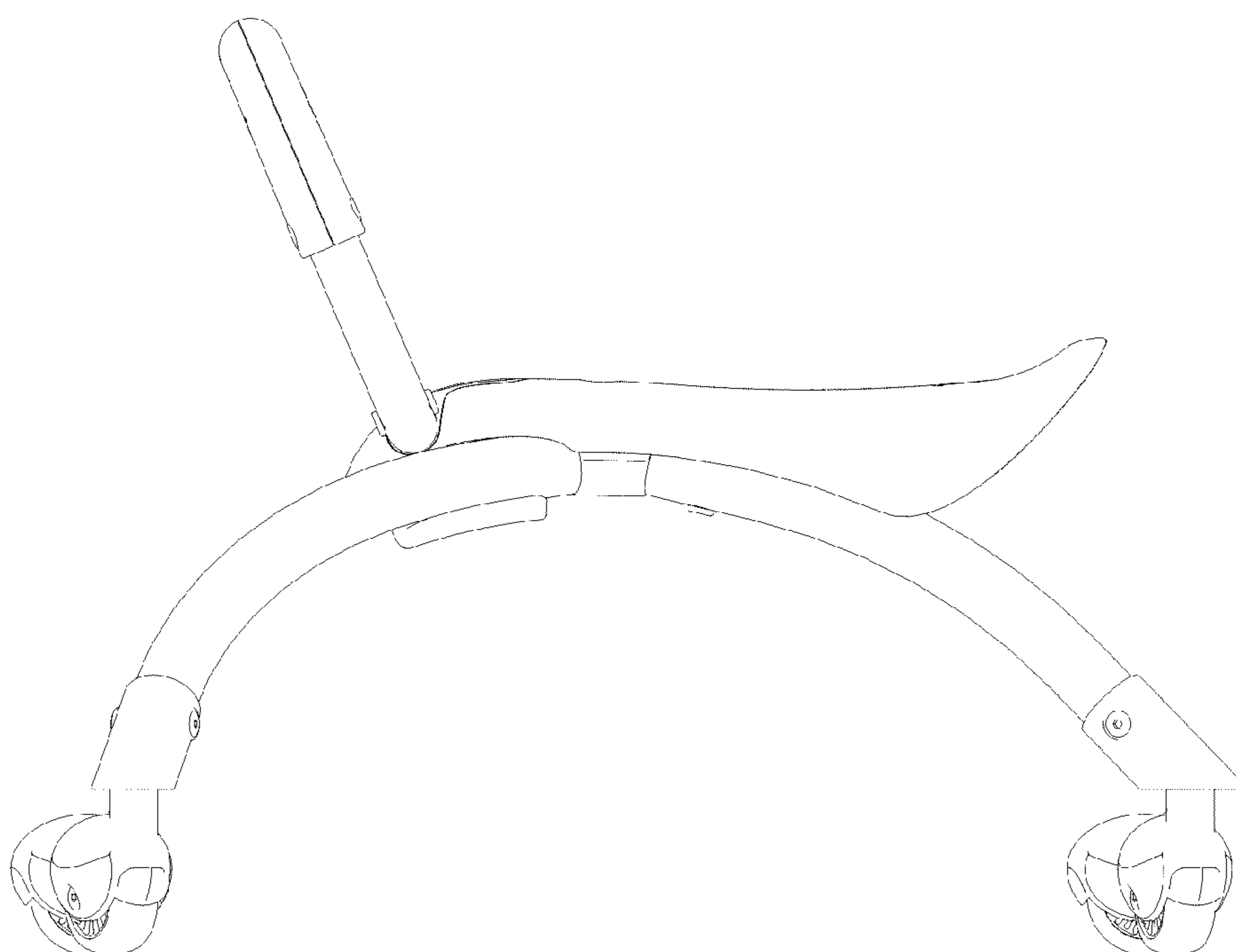


FIG. 1

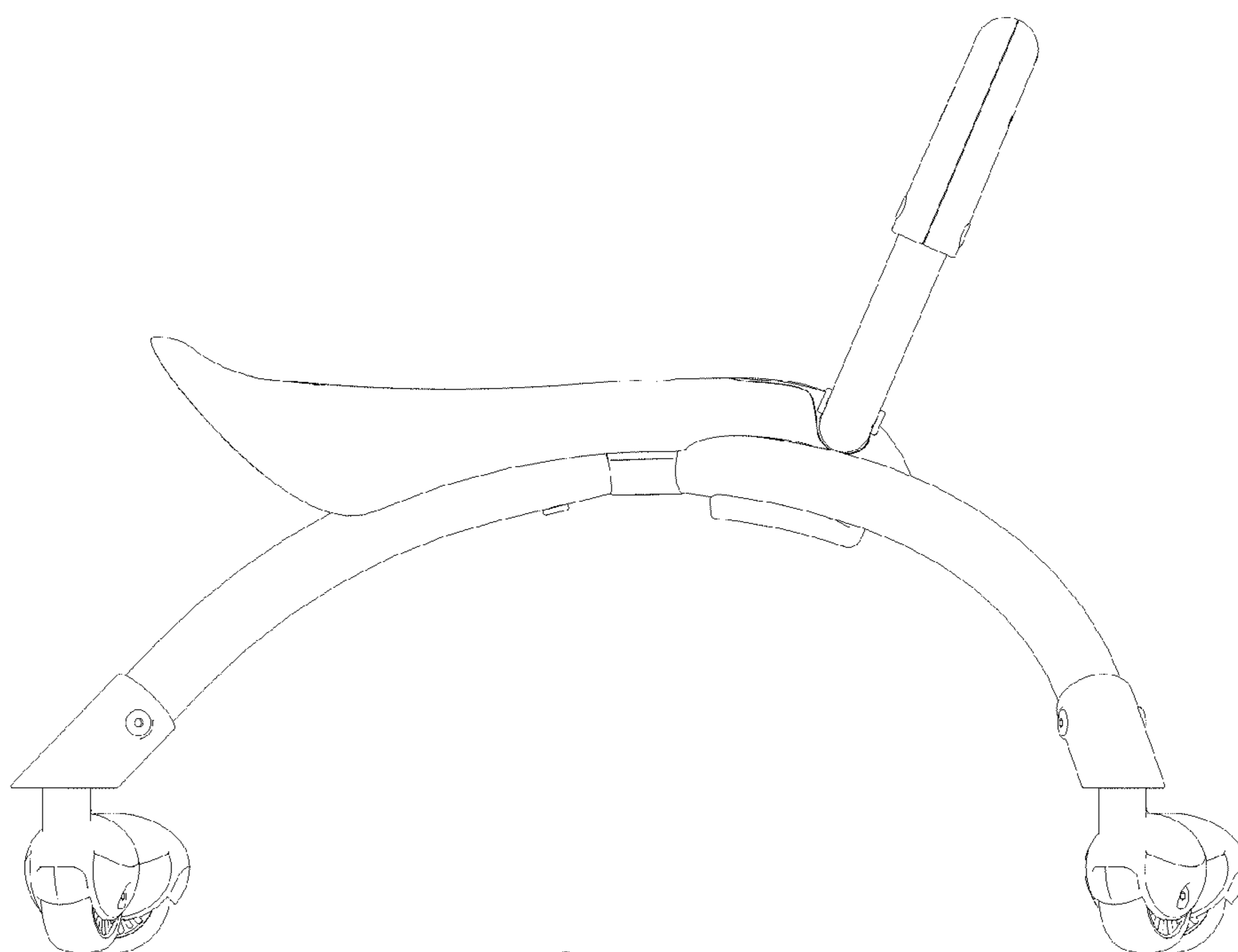


FIG. 2

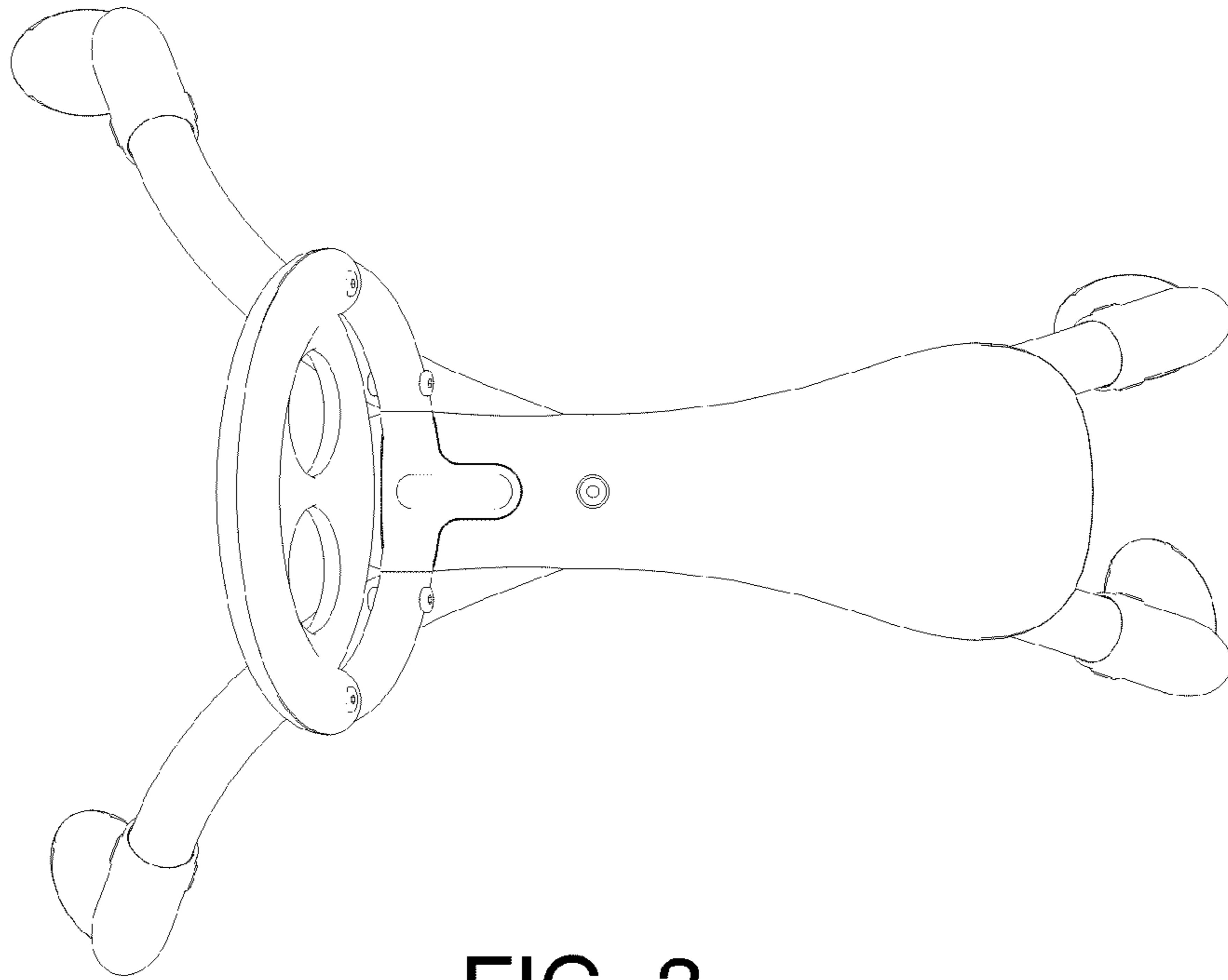


FIG. 3

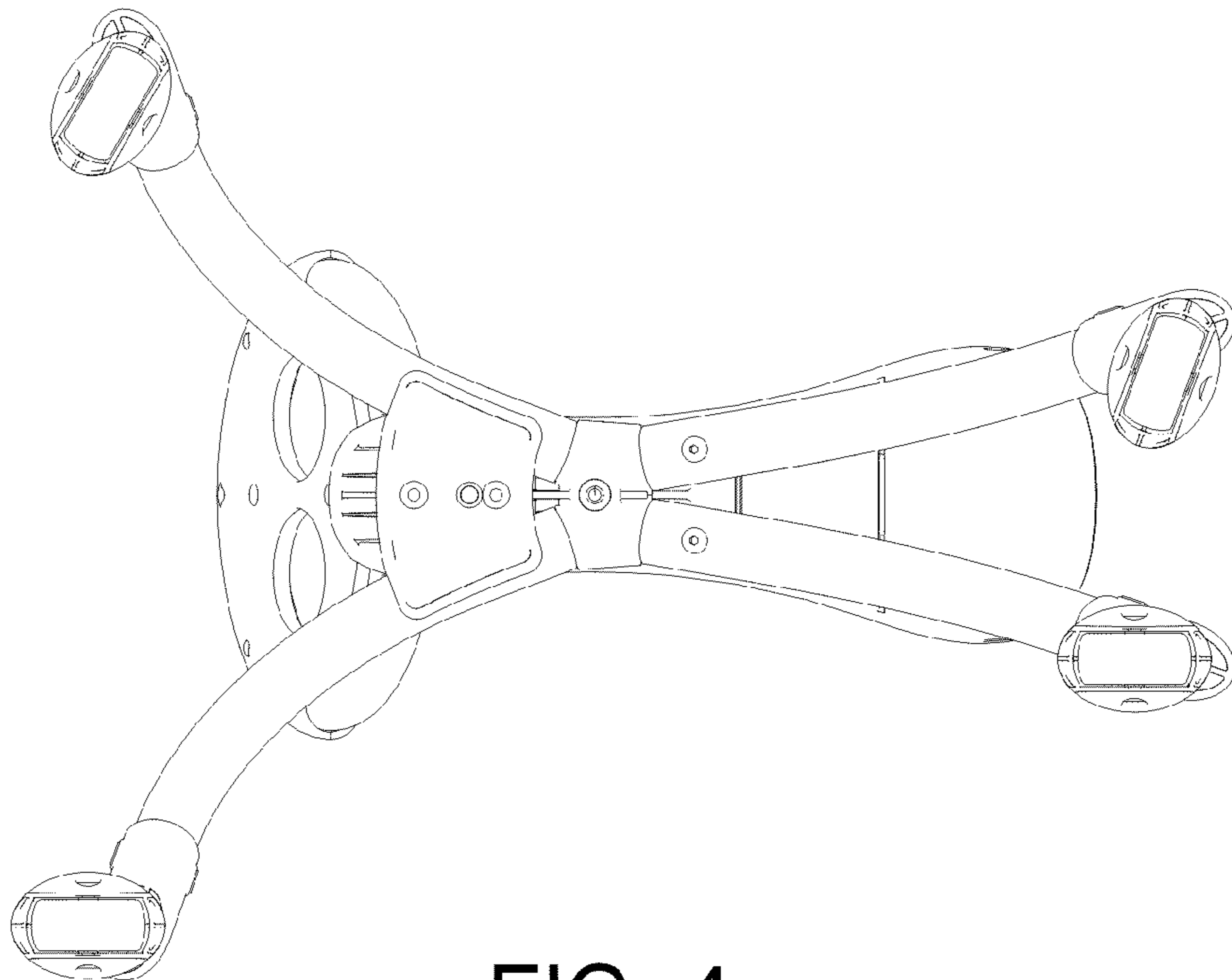


FIG. 4

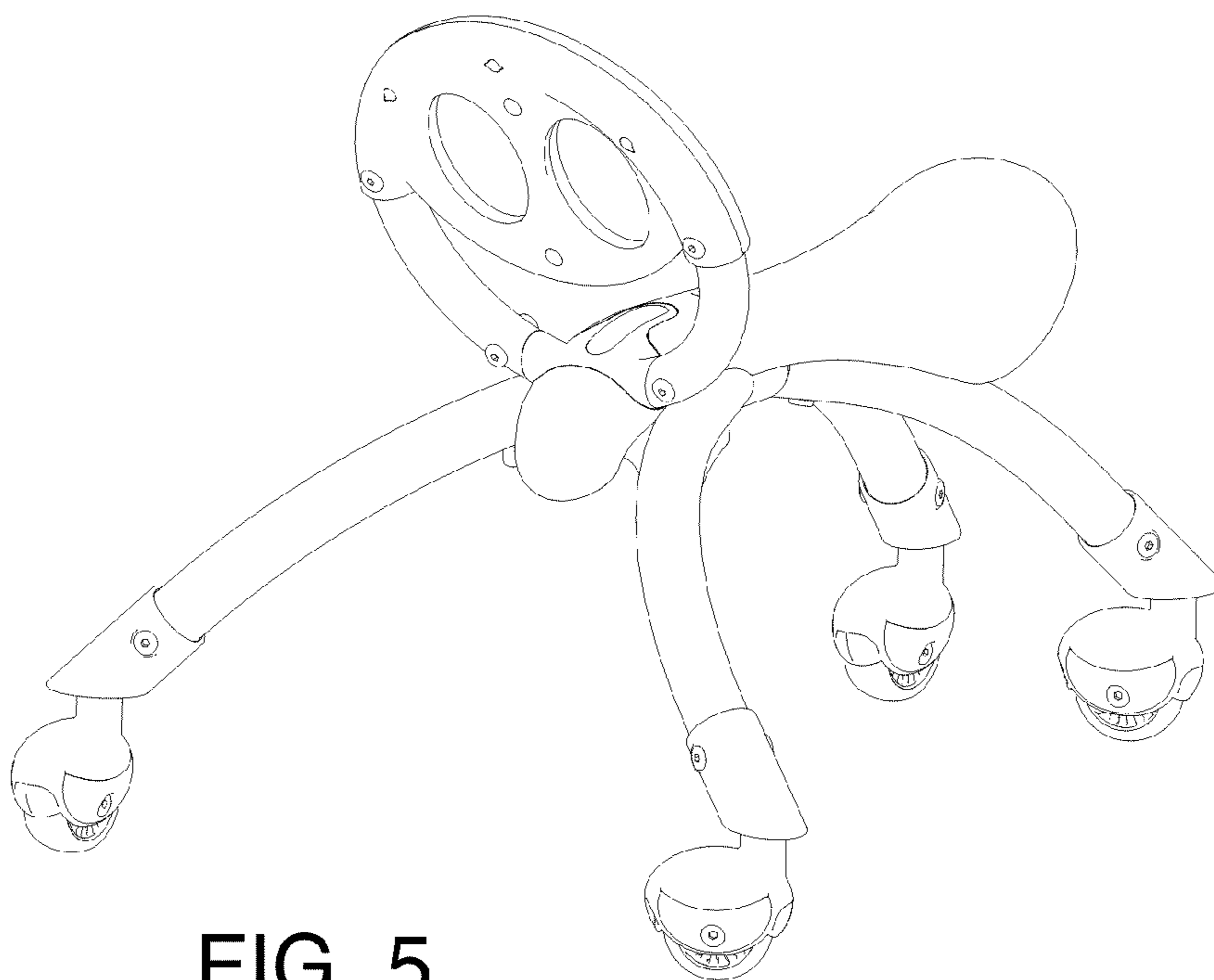


FIG. 5

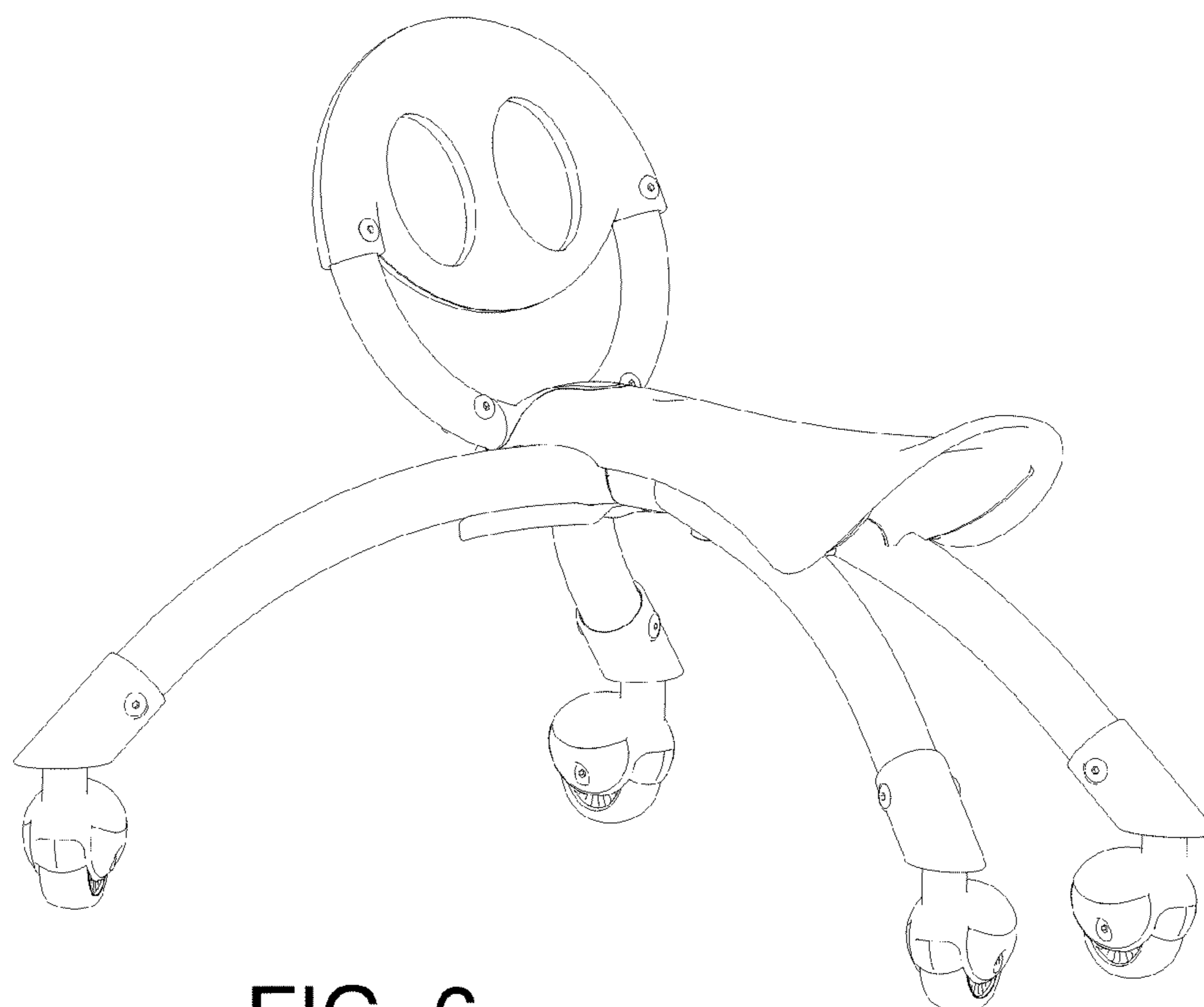


FIG. 6

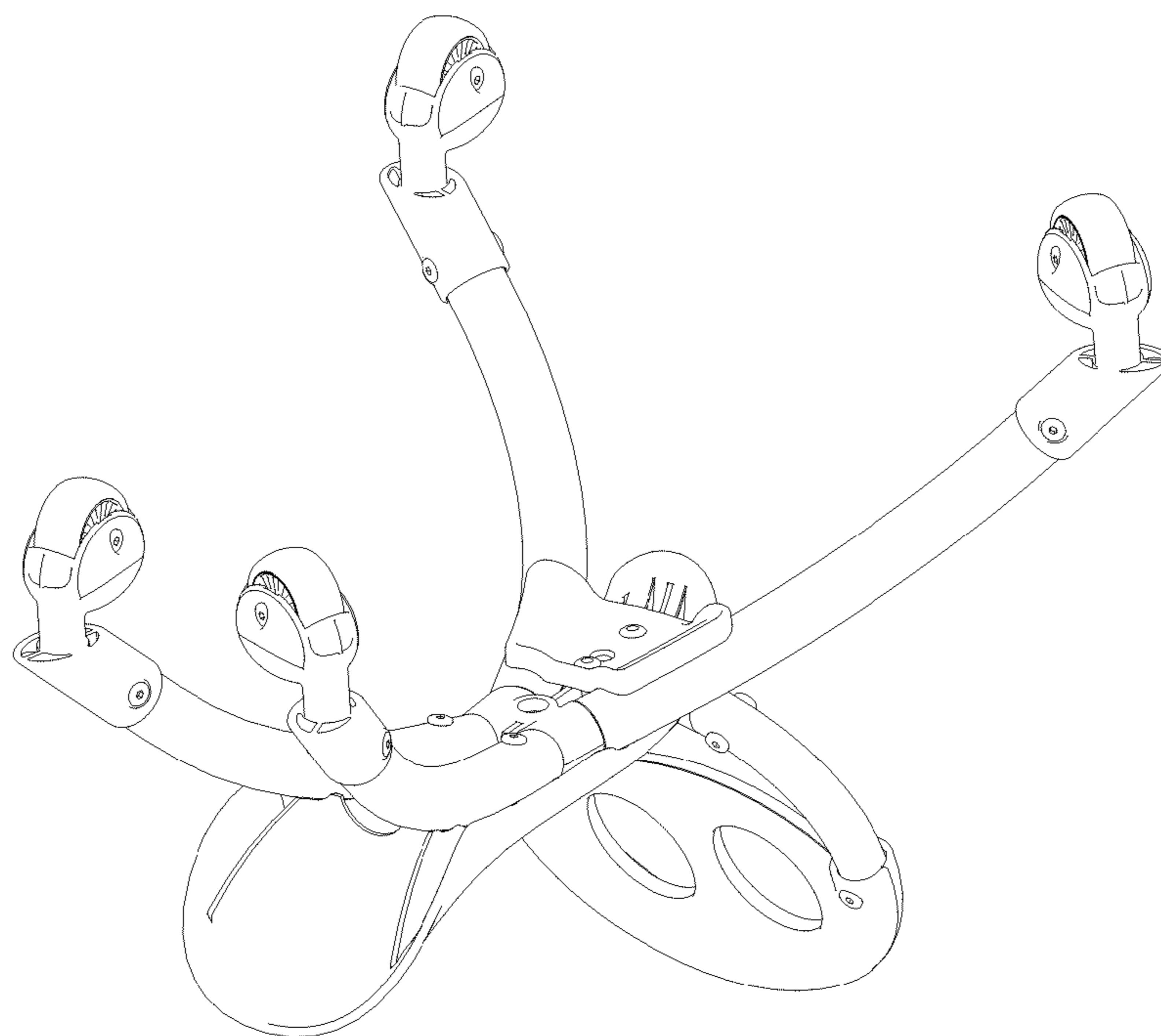


FIG. 7

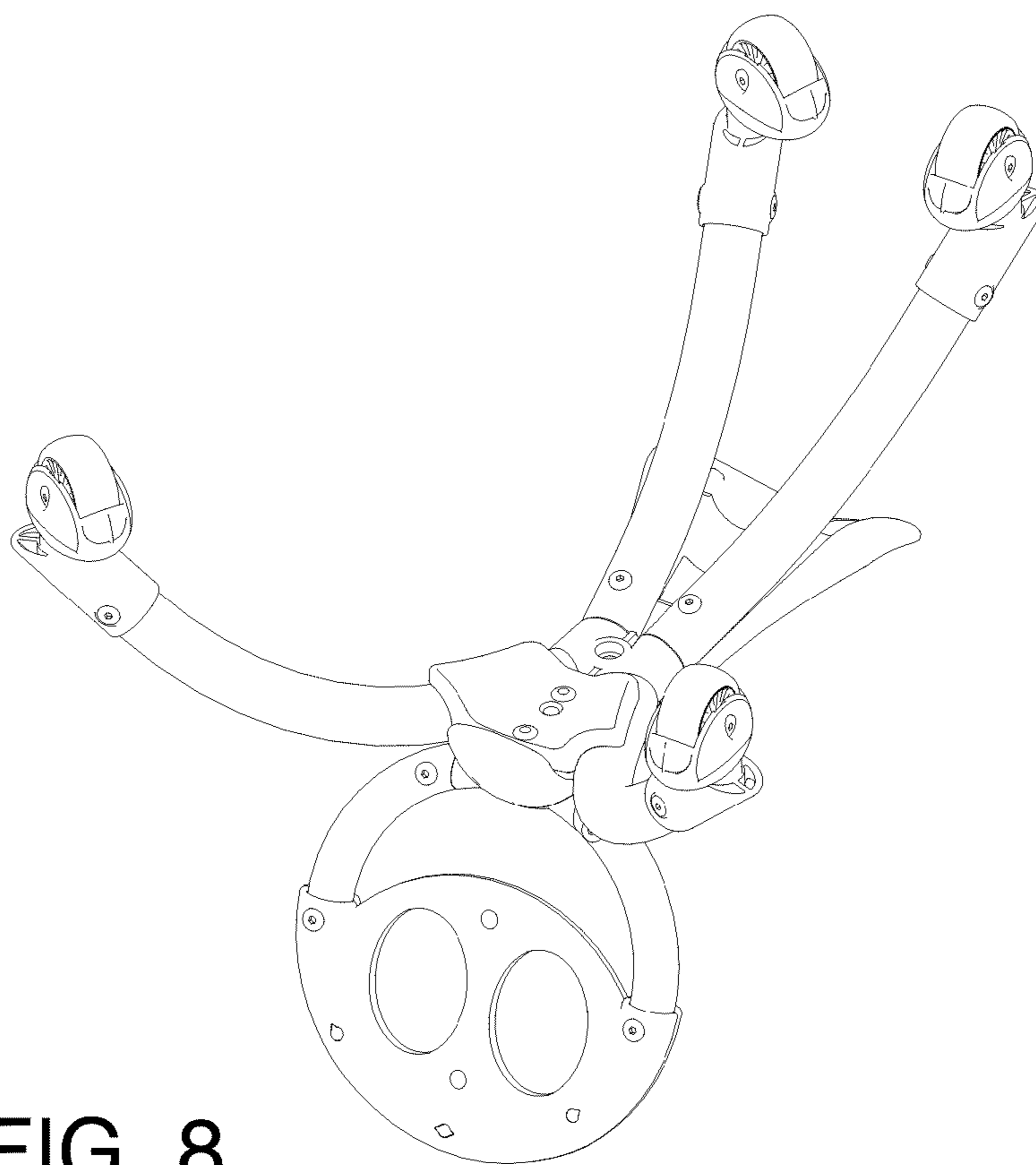


FIG. 8