



US00D652084S

(12) **United States Design Patent**
Herlitz et al.

(10) **Patent No.:** **US D652,084 S**
(45) **Date of Patent:** **** Jan. 10, 2012**

(54) **WAGON**

(75) Inventors: **Todd Herlitz**, Chicago, IL (US);
Katherine Powers, Chicago, IL (US);
Mark Johnson, Cary, IL (US)

(73) Assignee: **Radio Flyer Inc.**, Chicago, IL (US)

(**) Term: **14 Years**

(21) Appl. No.: **29/368,369**

(22) Filed: **Aug. 23, 2010**

(51) **LOC (9) Cl.** **21-01**

(52) **U.S. Cl.** **D21/425**

(58) **Field of Classification Search** D21/419,
D21/424–246, 534–536; D12/17, 19, 20,
D12/102, 105, 129; D34/12; 280/87.01,
280/87.021, 87.043, 47.17, 47.25, 47.34,
280/47.38, 47.4, 204, 639, 651

See application file for complete search history.

(56) **References Cited**

U.S. PATENT DOCUMENTS

6,932,365 B2 * 8/2005 Chiappetta et al. 280/47.371
D564,039 S * 3/2008 Rodriguez et al. D21/425

D566,200 S * 4/2008 Seckel et al. D21/425
7,487,977 B2 * 2/2009 Johnson 280/47.34
2004/0232639 A1 * 11/2004 Chiappetta et al. 280/47.34
2008/0122191 A1 * 5/2008 Johnson 280/47.38

* cited by examiner

Primary Examiner — Cynthia M Chin

(74) *Attorney, Agent, or Firm* — R. Blake Johnston, Esq.;
DLA Piper LLP (US)

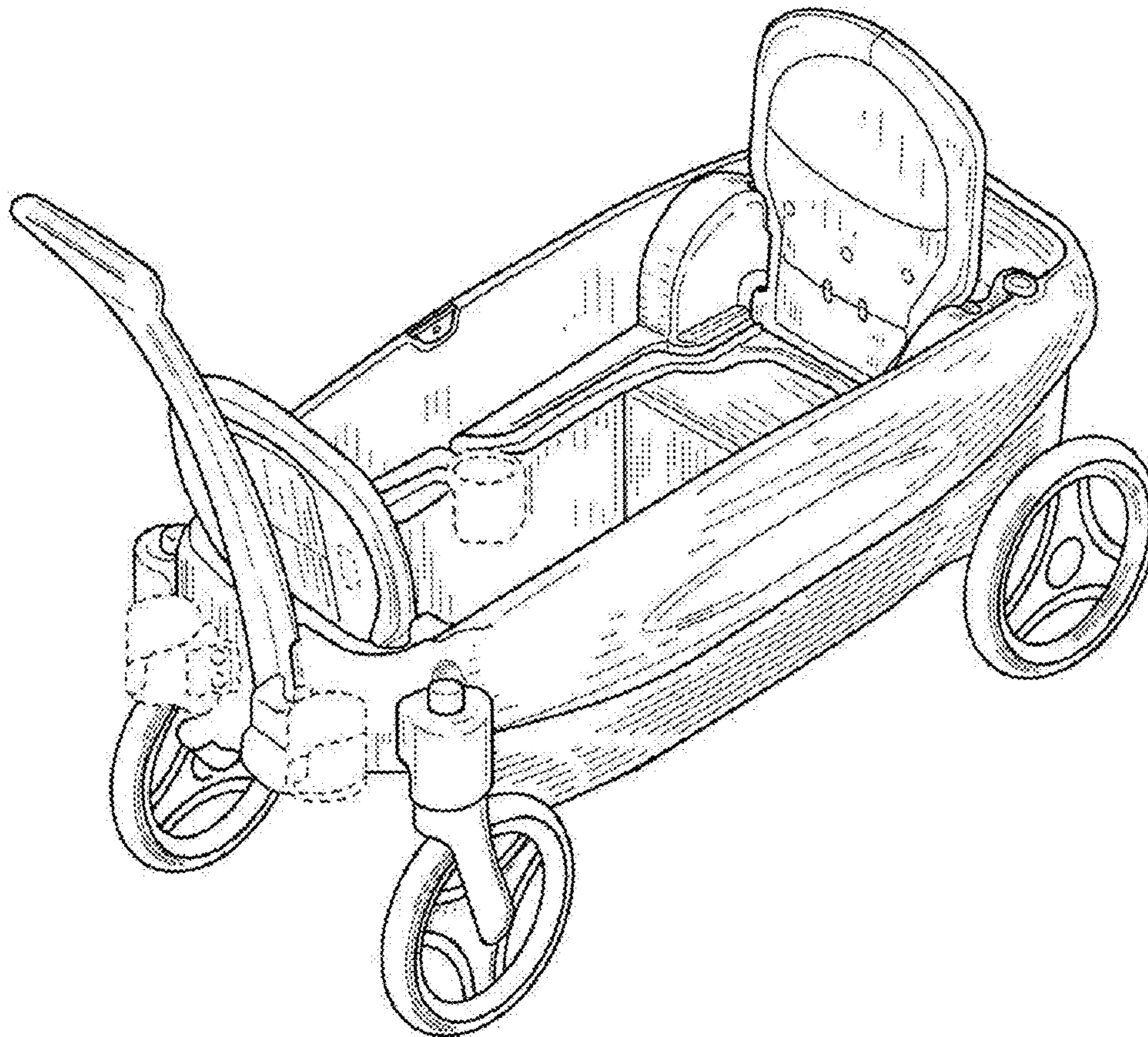
(57) **CLAIM**

The ornamental design for a wagon, as shown and described.

DESCRIPTION

FIG. 1 is a perspective view of the wagon;
FIG. 2 is a bottom plan view of the wagon;
FIG. 3 is a top plan view of the wagon;
FIG. 4 is a rear elevational view of the wagon;
FIG. 5 is a front elevational view of the wagon;
FIG. 6 is a right side elevational view of the wagon; and,
FIG. 7 is a left side elevational view of the wagon.
The broken lines shown are included for the purpose of illustrating the unclaimed portions of the article and form no part of the claimed design.

1 Claim, 2 Drawing Sheets



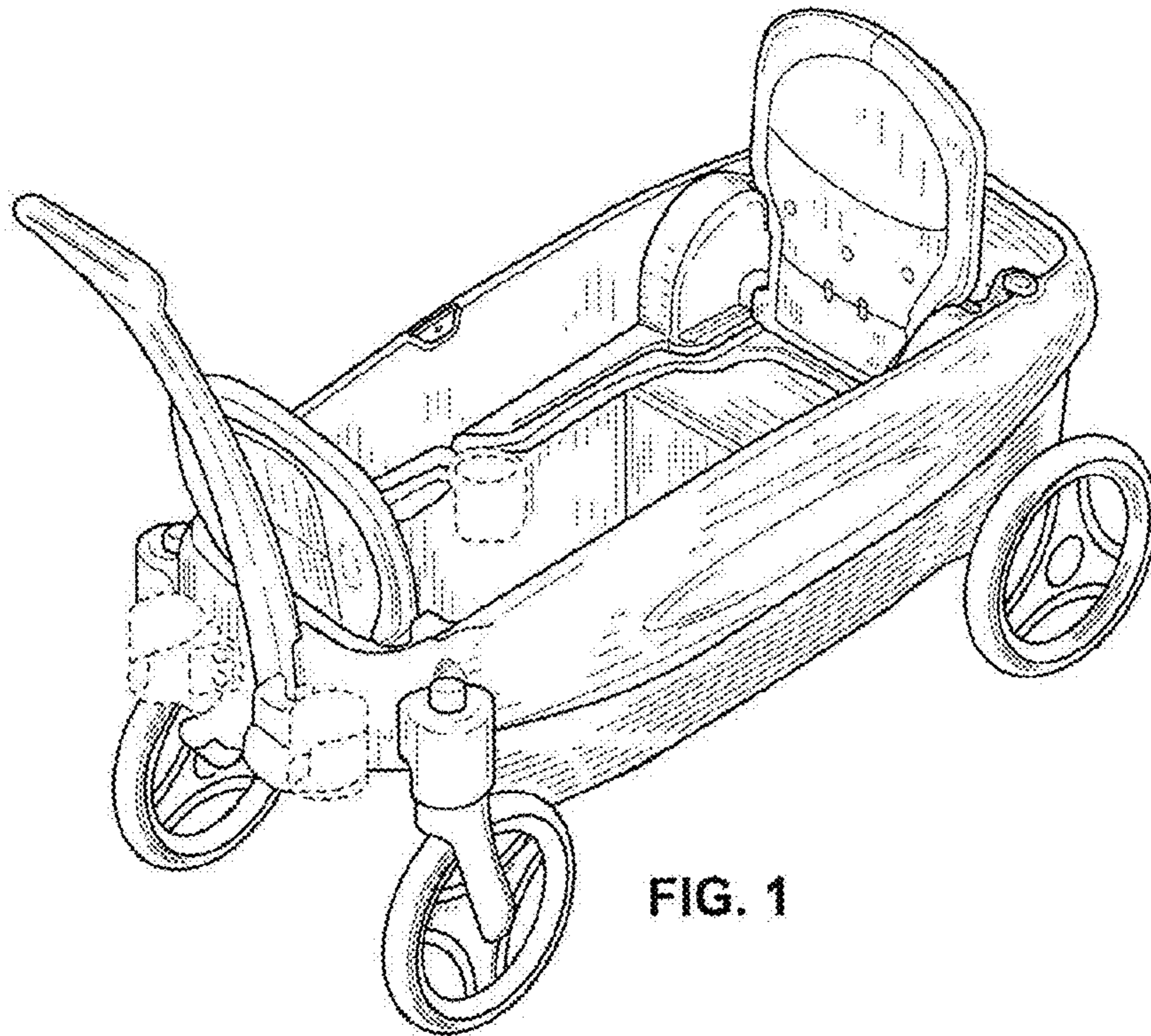


FIG. 1

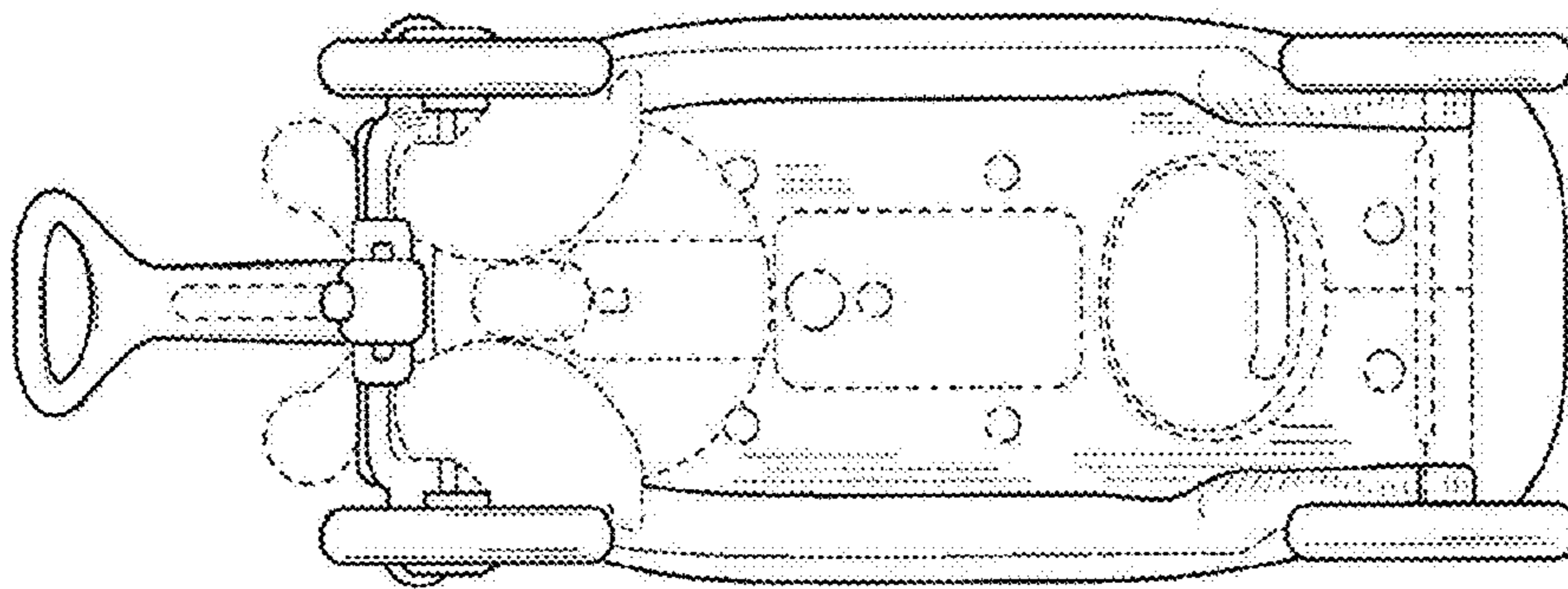


FIG. 2

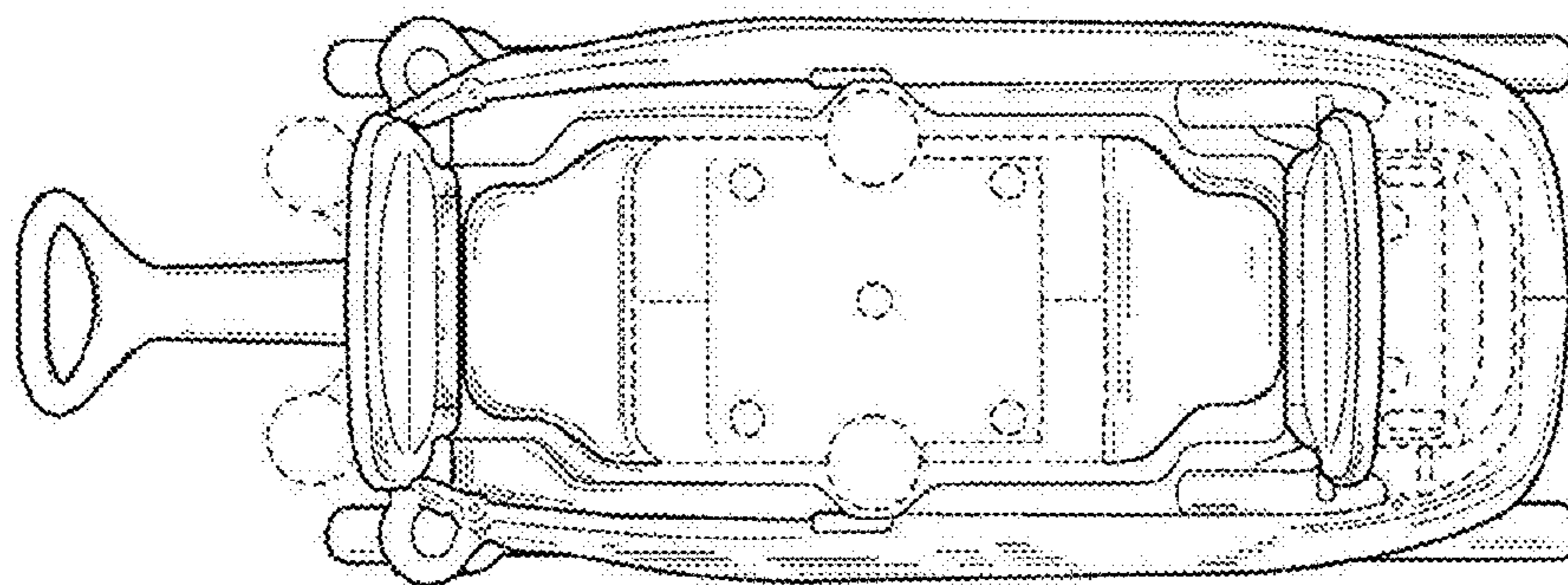


FIG. 3

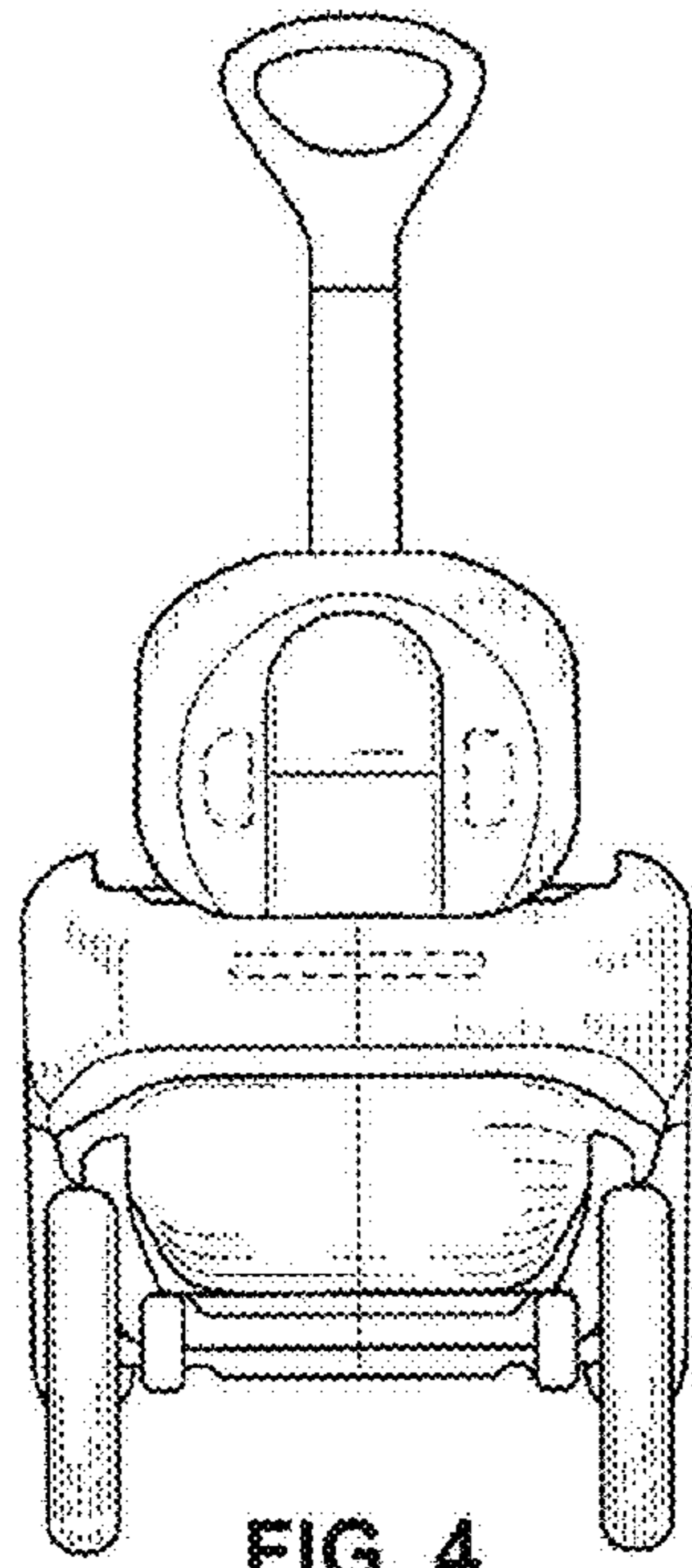


FIG. 4

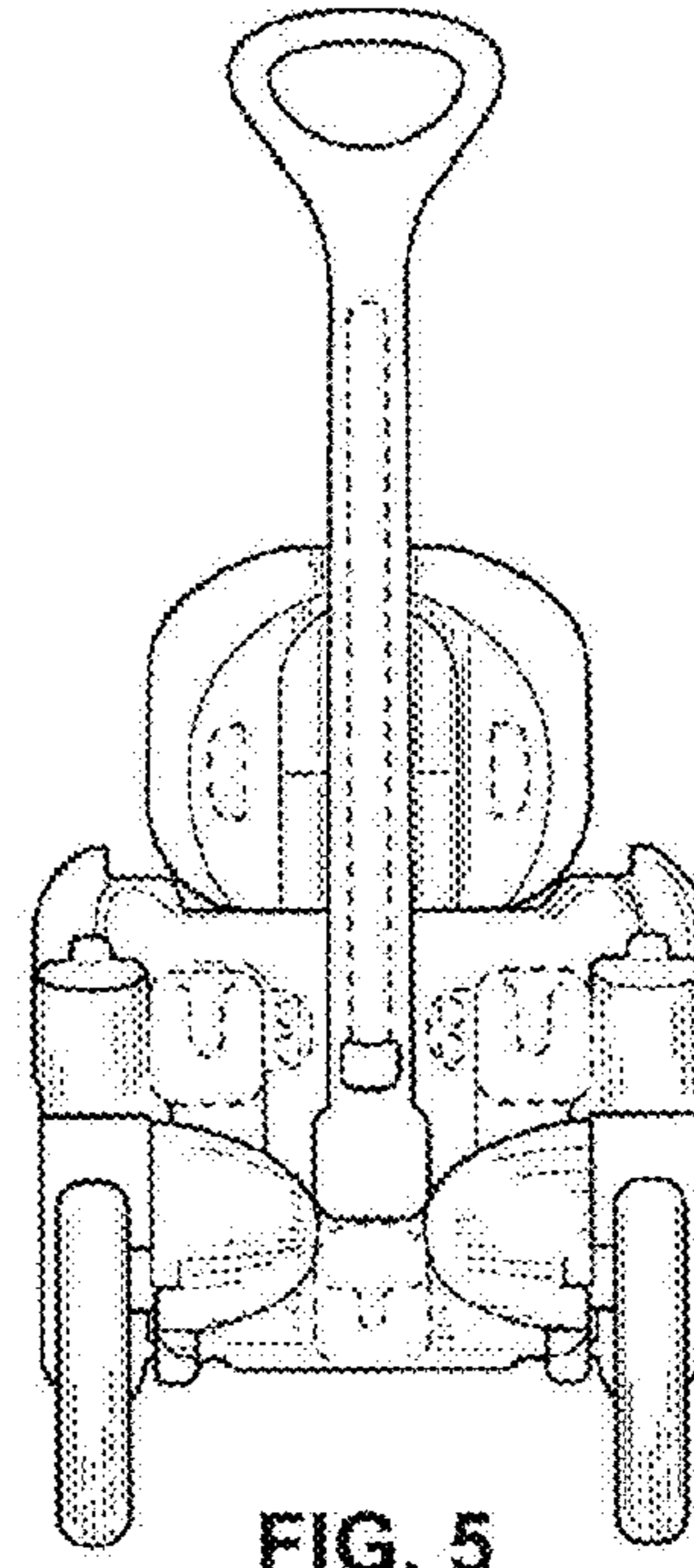


FIG. 5

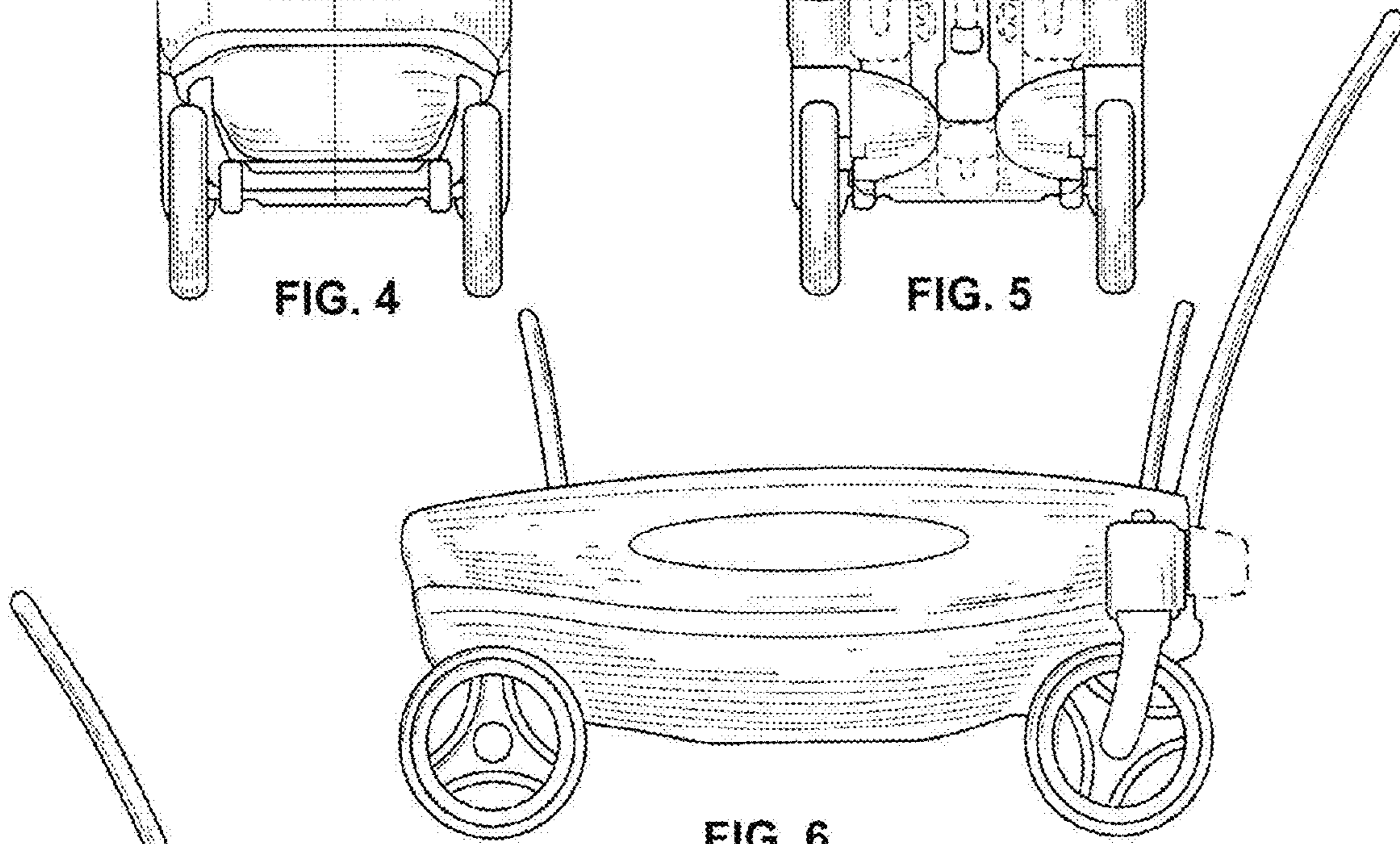


FIG. 6

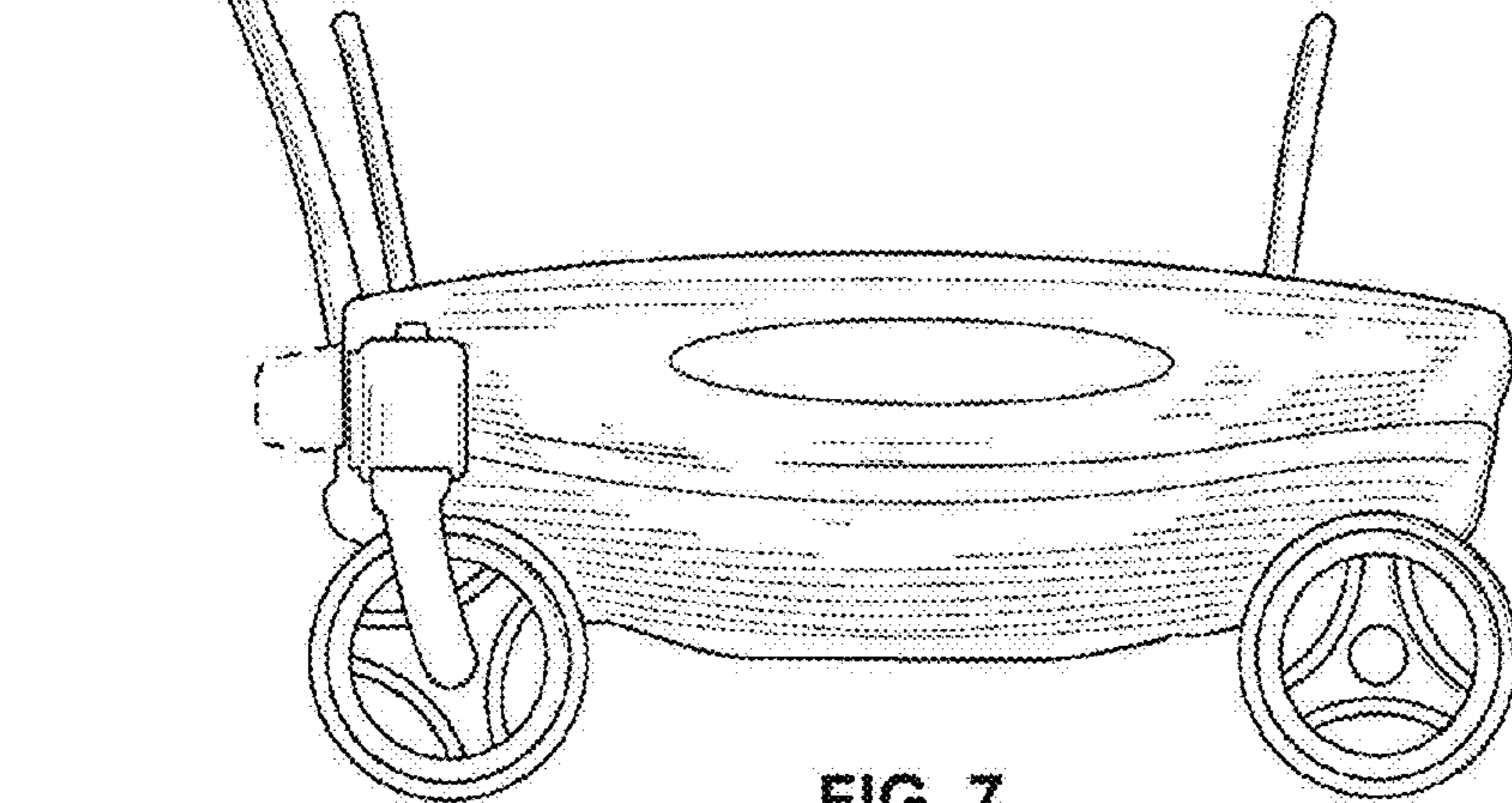


FIG. 7