



US00D652082S

(12) **United States Design Patent**
Wu

(10) **Patent No.:** **US D652,082 S**
(45) **Date of Patent:** **** Jan. 10, 2012**

(54) **DISPENSER FOR CORRECTION RIBBONS**

(75) Inventor: **Chien-Lung Wu**, Chang Hua (TW)

(73) Assignee: **SDI Corporation**, Chang Hua (TW)

(**) Term: **14 Years**

(21) Appl. No.: **29/401,079**

(22) Filed: **Sep. 7, 2011**

(30) **Foreign Application Priority Data**

Mar. 14, 2011 (TW) 100301188

(51) **LOC (9) Cl.** **19-02**

(52) **U.S. Cl.** **D19/69**

(58) **Field of Classification Search** D19/66,
D19/67, 68, 69, 70; 156/523, 257, 540, 577;
206/411; 225/6, 25, 39, 77; 242/588, 588.1,
242/588.2, 588.3, 588.6, 5

See application file for complete search history.

(56) **References Cited**

U.S. PATENT DOCUMENTS

D421,059 S *	2/2000	Shimizu	D19/69
D438,251 S *	2/2001	Katami	D19/69
D451,960 S *	12/2001	Shimizu	D19/69
D456,450 S *	4/2002	Kimura	D19/69
D476,368 S *	6/2003	Suzuki	D19/69
D476,369 S *	6/2003	Suzuki	D19/69

D476,687 S *	7/2003	Katami	D19/69
D492,730 S *	7/2004	Suzuki	D19/69
D506,508 S *	6/2005	Shimizu et al.	D19/69
D555,201 S *	11/2007	Rushe et al.	D19/69
D567,860 S *	4/2008	Rushe et al.	D19/69
D577,384 S *	9/2008	Lin	D19/69
D577,771 S *	9/2008	Kouda	D19/69
D611,101 S *	3/2010	Narita et al.	D19/69
D620,527 S *	7/2010	Suzuki	D19/69

* cited by examiner

Primary Examiner — Austin Murphy

(74) *Attorney, Agent, or Firm* — The Weintraub Group, P.L.C.

(57) **CLAIM**

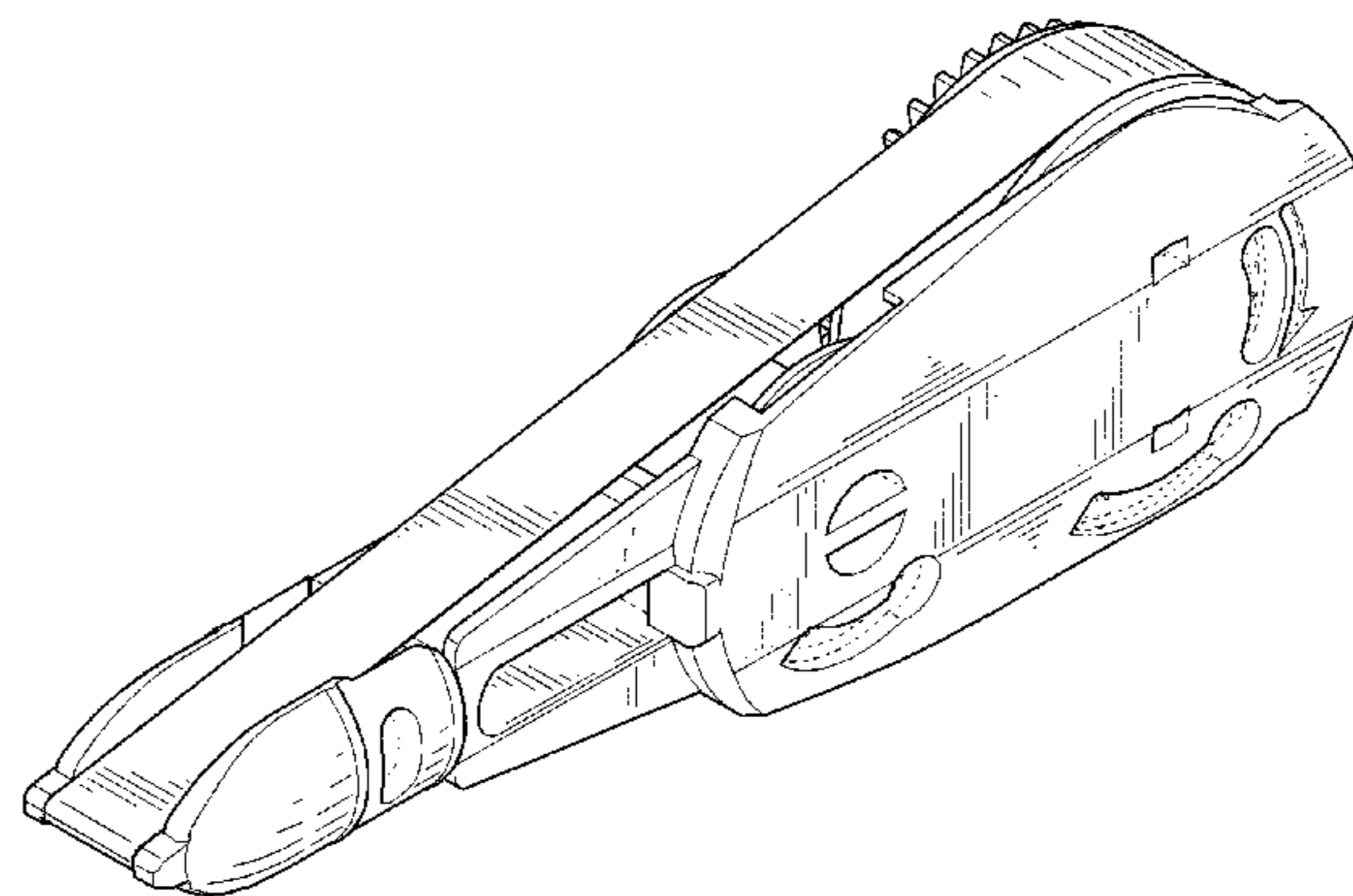
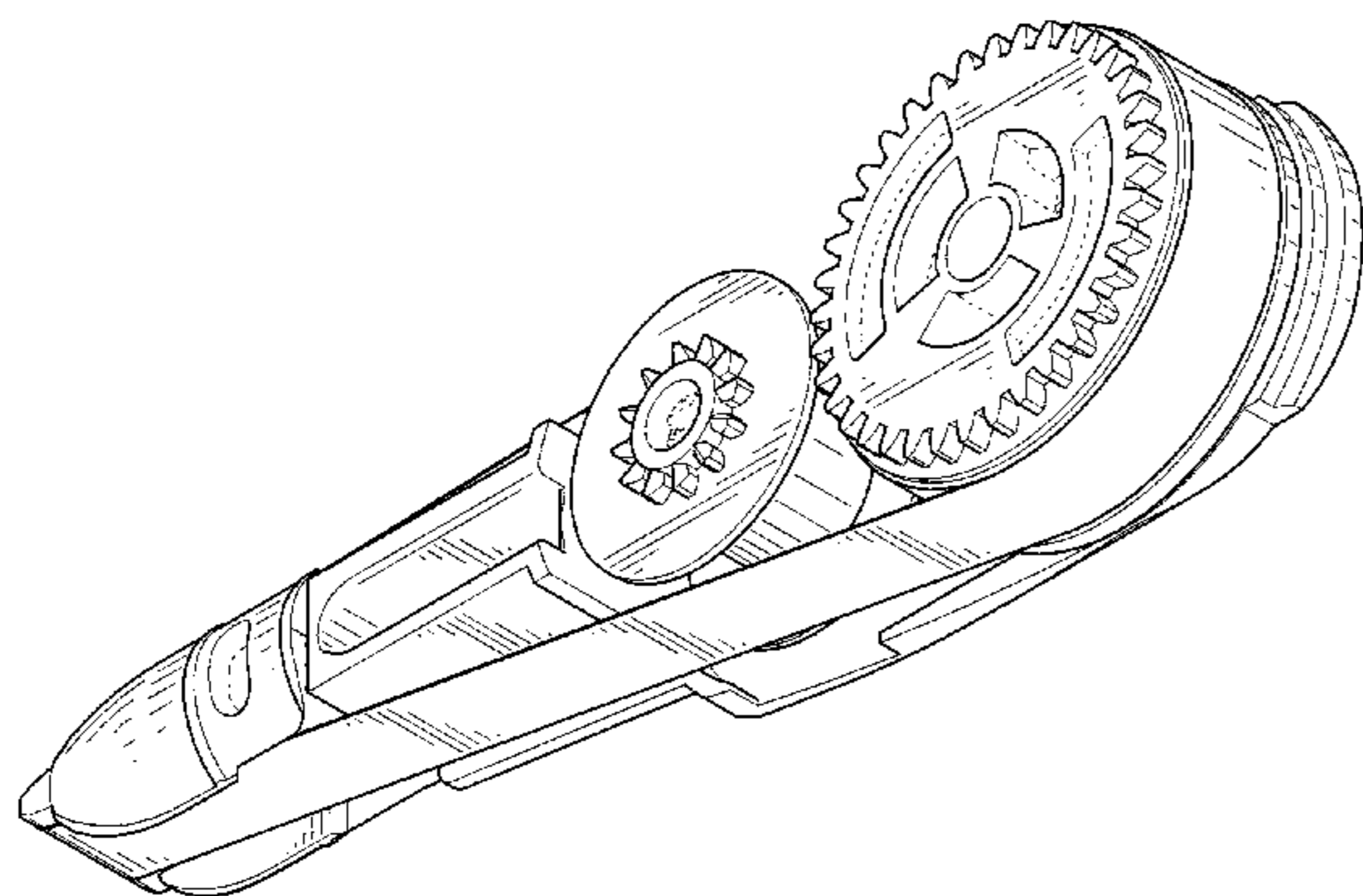
The ornamental design for a dispenser for correction ribbons, as shown.

DESCRIPTION

FIG. 1 is a perspective view of a dispenser for correction ribbons, showing my new design;
FIG. 2 is a front view thereof;
FIG. 3 is a rear view thereof;
FIG. 4 is a left side view thereof;
FIG. 5 is a right side view thereof;
FIG. 6 is a top view thereof;
FIG. 7 is a bottom view thereof; and,
FIG. 8 is another perspective view thereof.

The broken lines illustrate portions of the dispenser for correction ribbons which form no part of the claimed design.

1 Claim, 5 Drawing Sheets



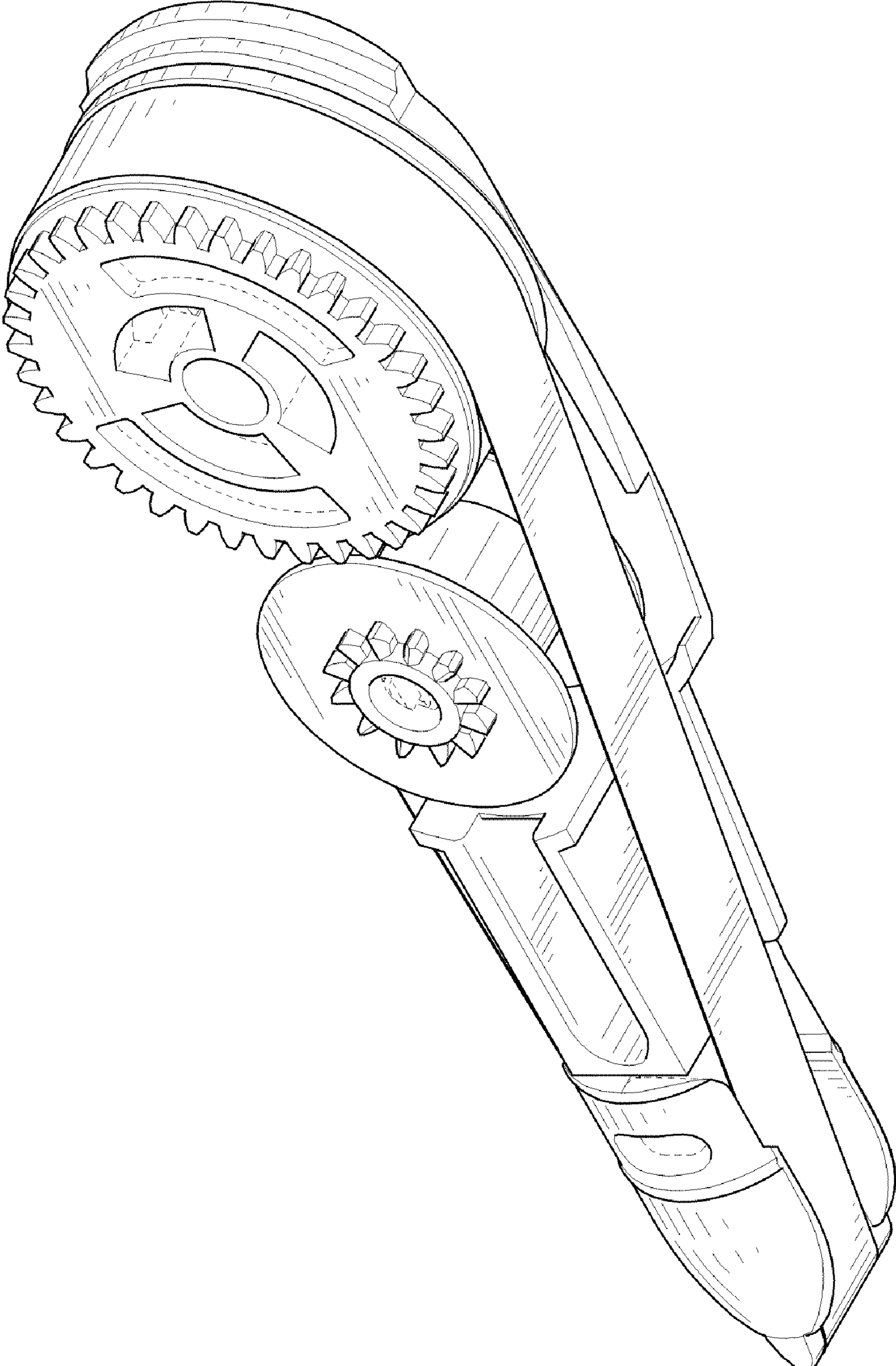


FIG.1

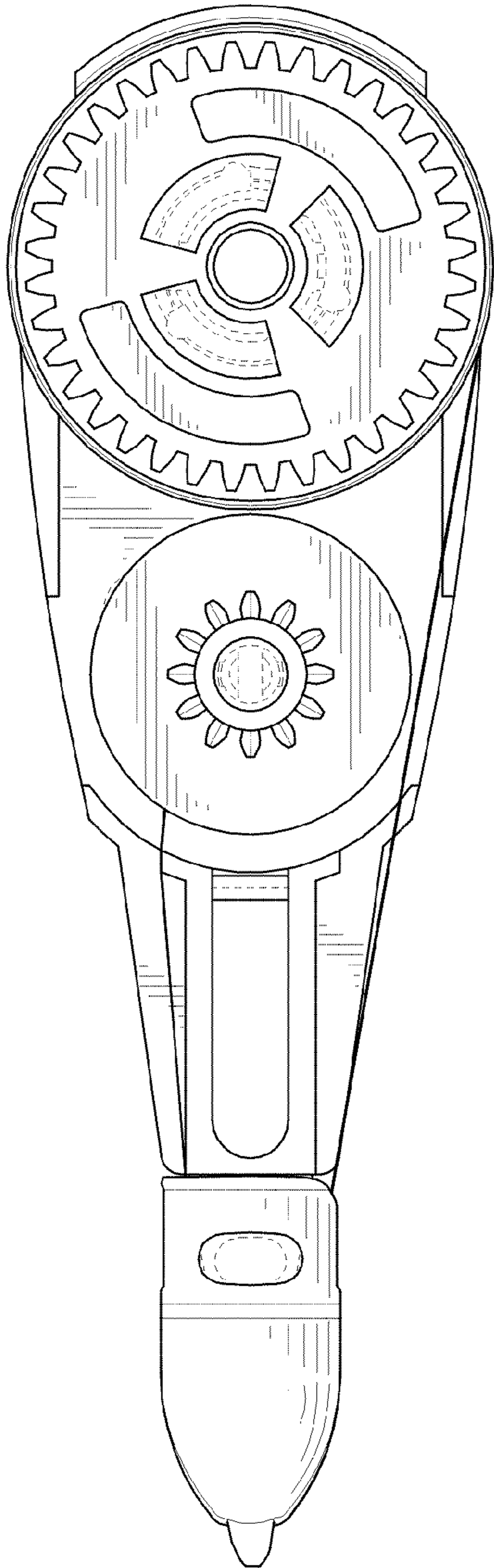


FIG. 2

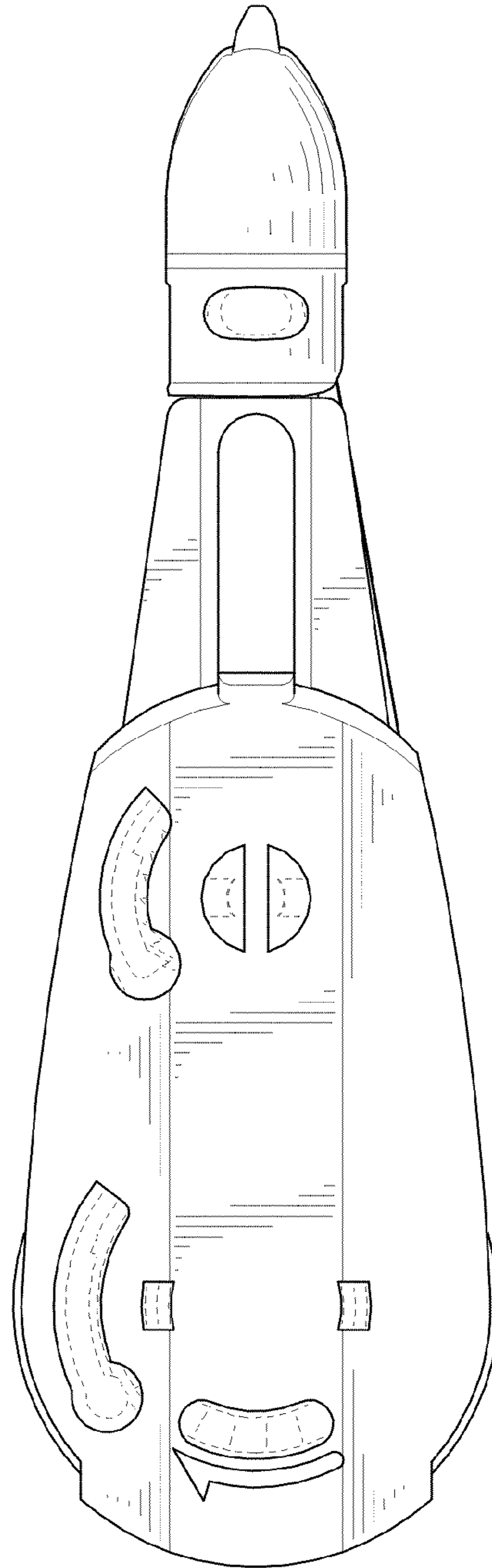


FIG. 3

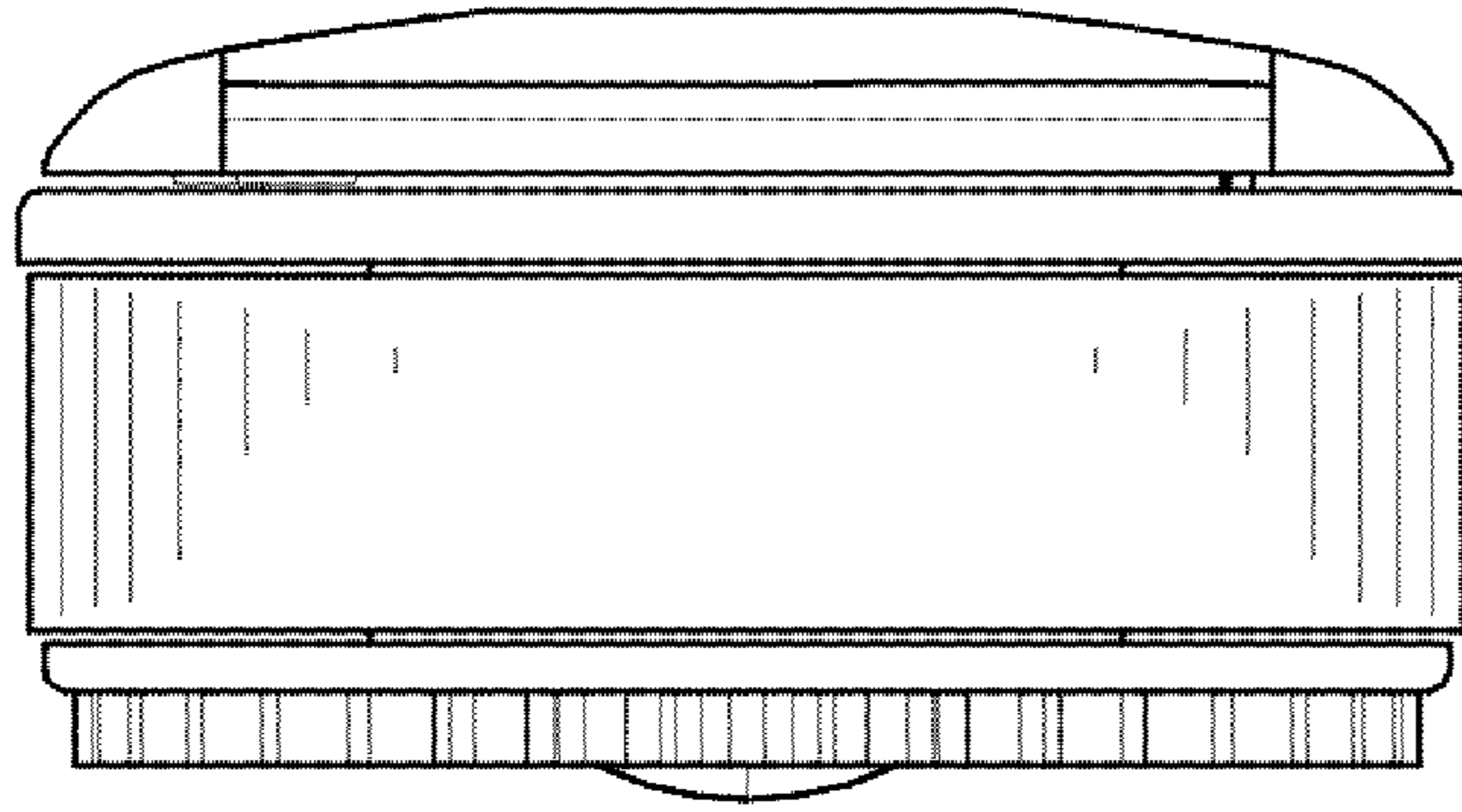


FIG. 5

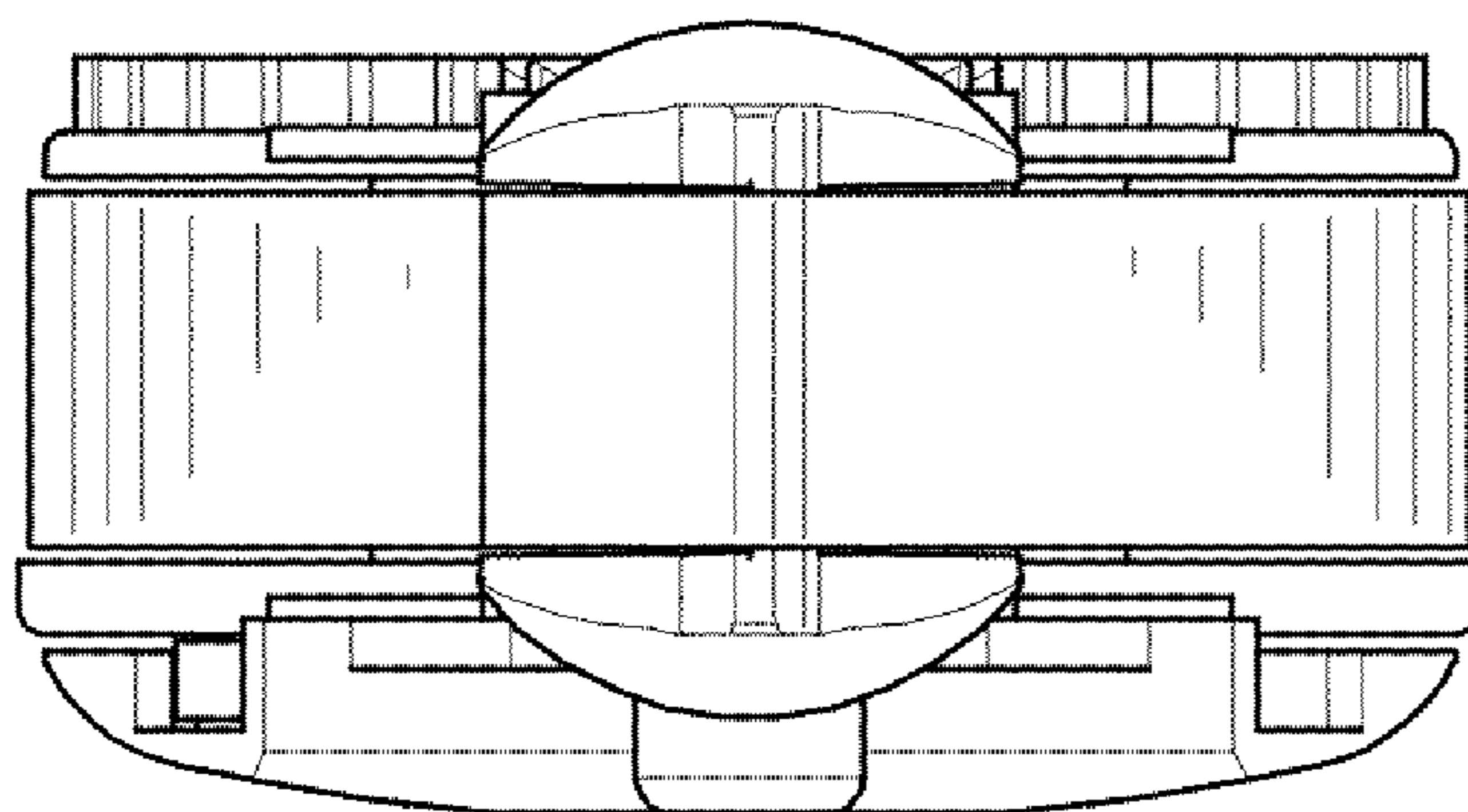


FIG. 4

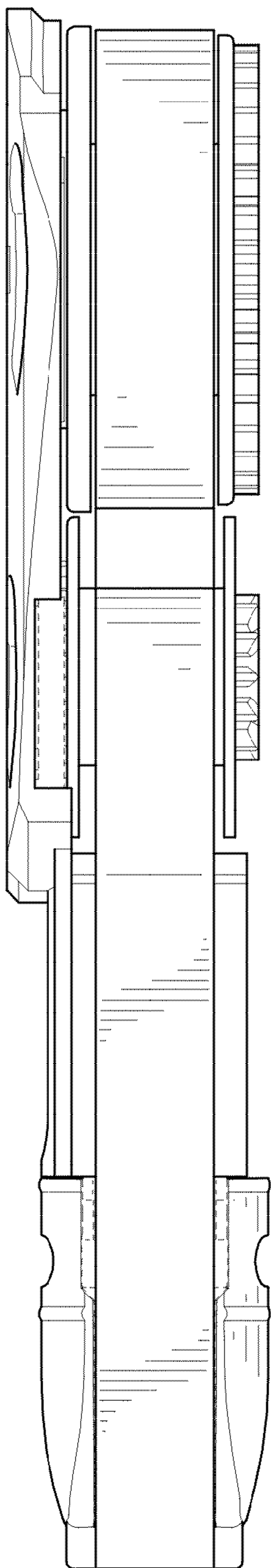


FIG. 6

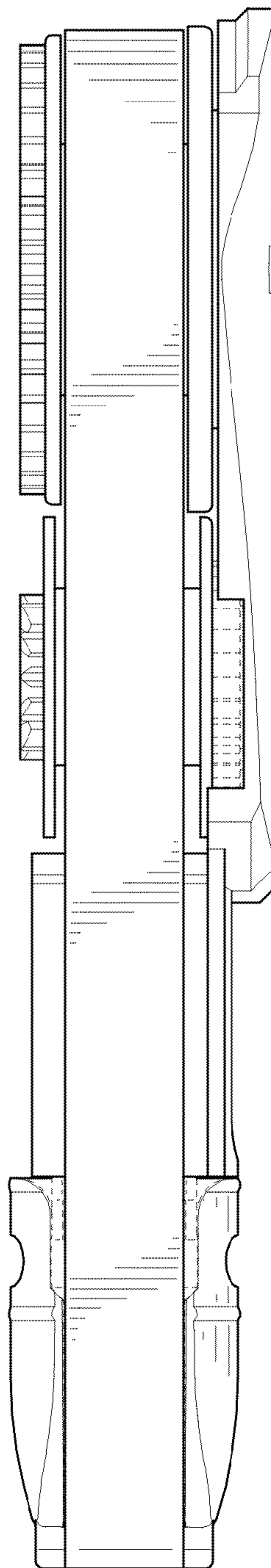


FIG. 7

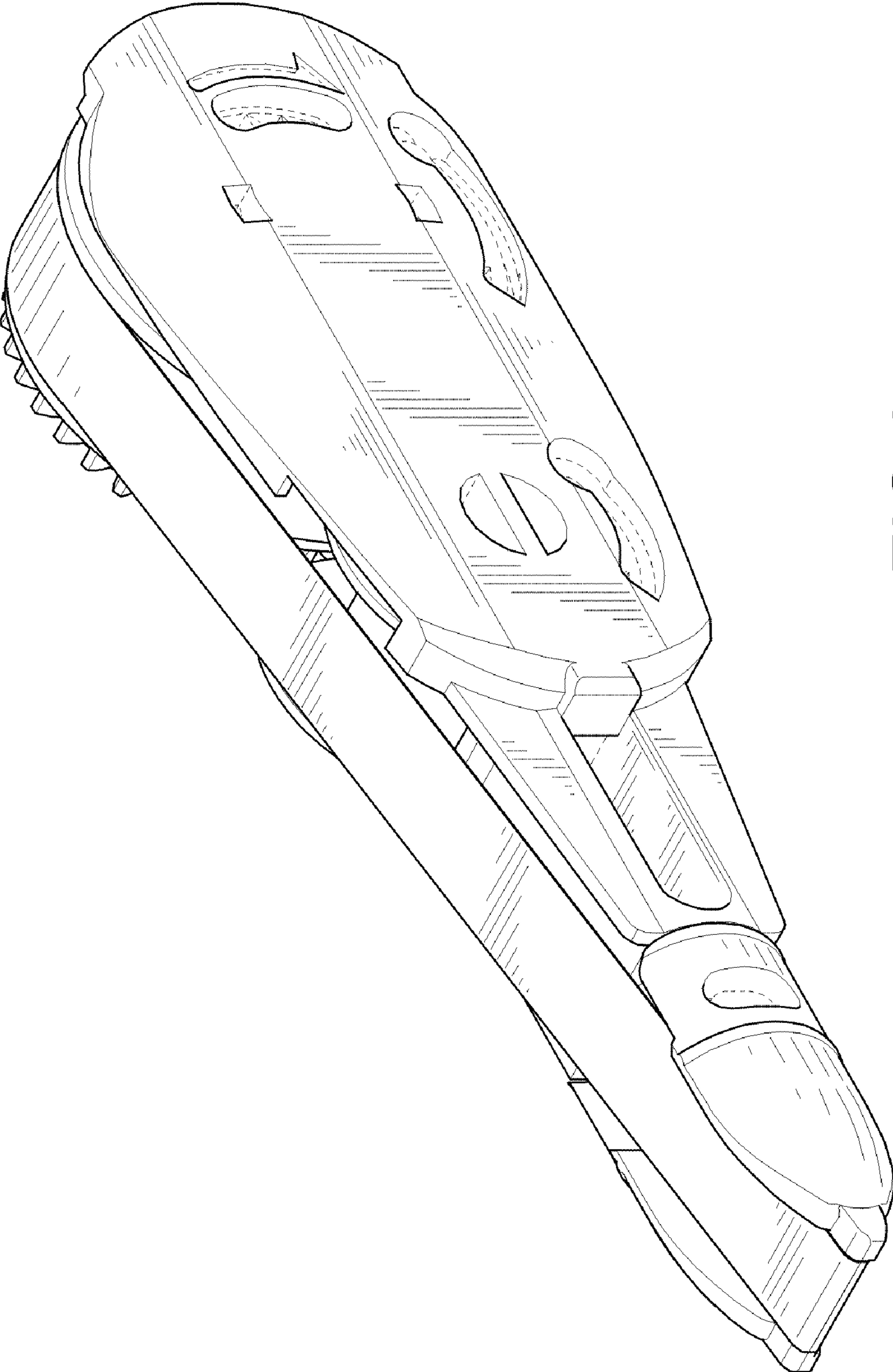


FIG.8