

US00D652074S

(12) **United States Design Patent**
Sakai et al.

(10) **Patent No.:** **US D652,074 S**
(45) **Date of Patent:** **** Jan. 10, 2012**

(54) **TONER CARTRIDGE**

(75) Inventors: **Yoshiaki Sakai**, Kanagawa (JP);
Kazuhiro Saito, Kanagawa (JP)

(73) Assignee: **Fuji Xerox Co., Ltd**, Tokyo (JP)

(**) Term: **14 Years**

(21) Appl. No.: **29/390,237**

(22) Filed: **Apr. 21, 2011**

(30) **Foreign Application Priority Data**

Oct. 22, 2010 (JP) 2010-025460

(51) **LOC (9) Cl.** **16-03**

(52) **U.S. Cl.** **D18/43**

(58) **Field of Classification Search** D14/471;
D18/12, 36, 40, 43, 44, 56; 222/DIG. 1;
347/197, 222; 399/24-28, 107-112, 119,
399/121, 122, 222-224

See application file for complete search history.

(56) **References Cited**

U.S. PATENT DOCUMENTS

D171,578 S *	3/1954	Brucker	D18/43
D240,201 S *	6/1976	Avolio	D18/43
D431,260 S *	9/2000	Kohno et al.	D18/43
D432,916 S *	10/2000	Drinkwater et al.	D18/43
D538,850 S *	3/2007	Choi et al.	D18/56
D546,874 S *	7/2007	Hakukawa	D18/43
D574,039 S *	7/2008	Saito et al.	D18/43
D583,862 S *	12/2008	Park et al.	D18/56

D630,244 S *	1/2011	Takiguchi et al.	D18/43
D636,016 S *	4/2011	Naito et al.	D18/43
2010/0316414 A1	12/2010	Saito et al.		

FOREIGN PATENT DOCUMENTS

JP 2010-286655 A 12/2010

* cited by examiner

Primary Examiner — Garth Rademaker

(74) *Attorney, Agent, or Firm* — Sughrue Mion, PLLC

(57) **CLAIM**

The ornamental design for a toner cartridge, as shown and described.

DESCRIPTION

FIG. 1 is a bottom, front, left side perspective view of a toner cartridge showing our new design;
FIG. 2 is a top, rear, right side perspective view thereof;
FIG. 3 is a top, front, right side perspective view thereof;
FIG. 4 is a bottom, rear, right side perspective view thereof;
FIG. 5 is a front view thereof;
FIG. 6 is a rear view thereof;
FIG. 7 is a top plan view thereof;
FIG. 8 is a bottom view thereof;
FIG. 9 is a left side view thereof; and,
FIG. 10 is a right side view thereof.

The portions of the article in broken line are shown for illustrative purposes only and form no part of the claimed design. The portions of the article in dashed-dotted line are shown for boundaries between the claimed portion and the non-claimed portion and form no part of the claimed design.

1 Claim, 9 Drawing Sheets

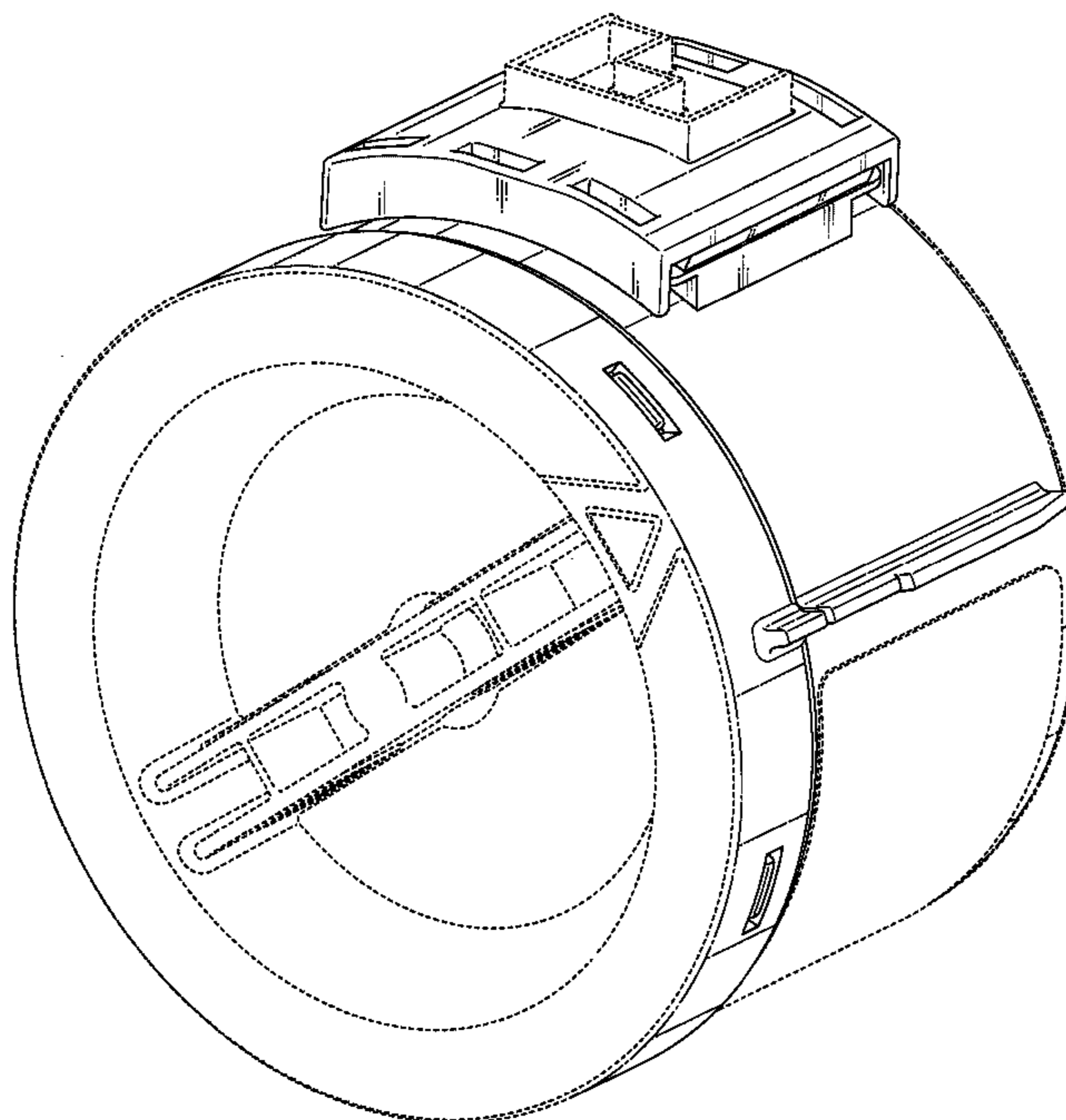


Fig. 1

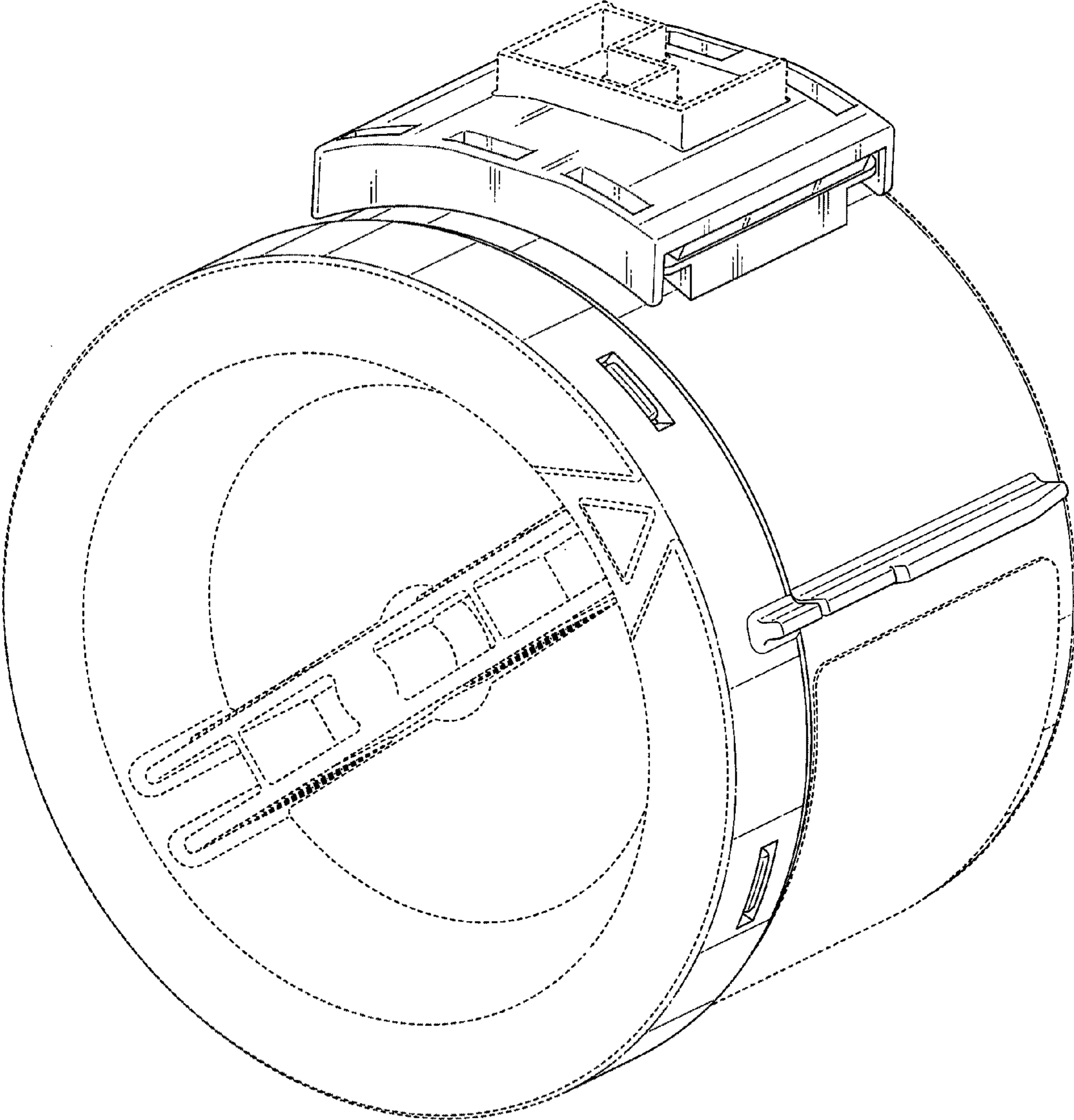


Fig. 2

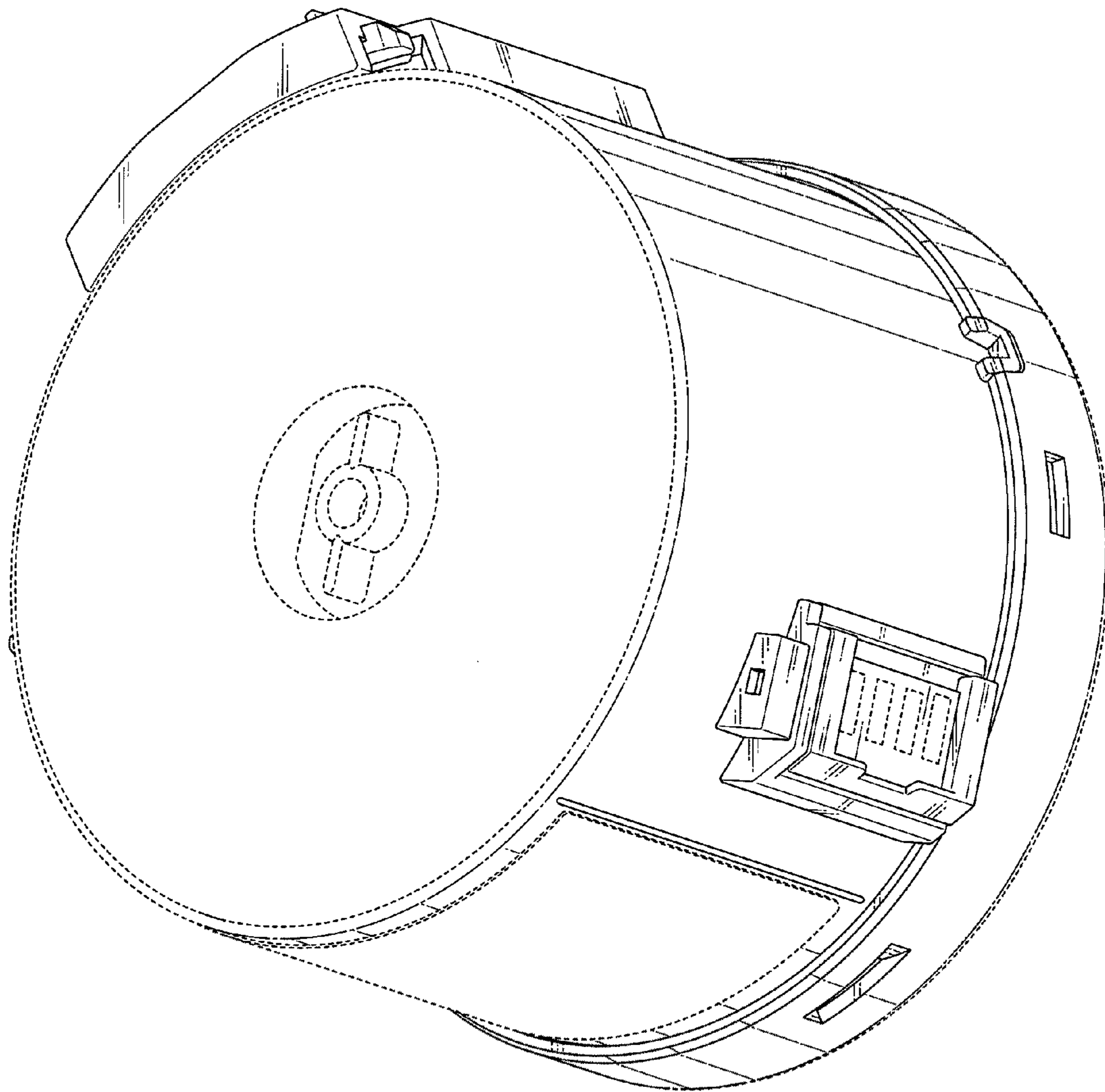


Fig. 3

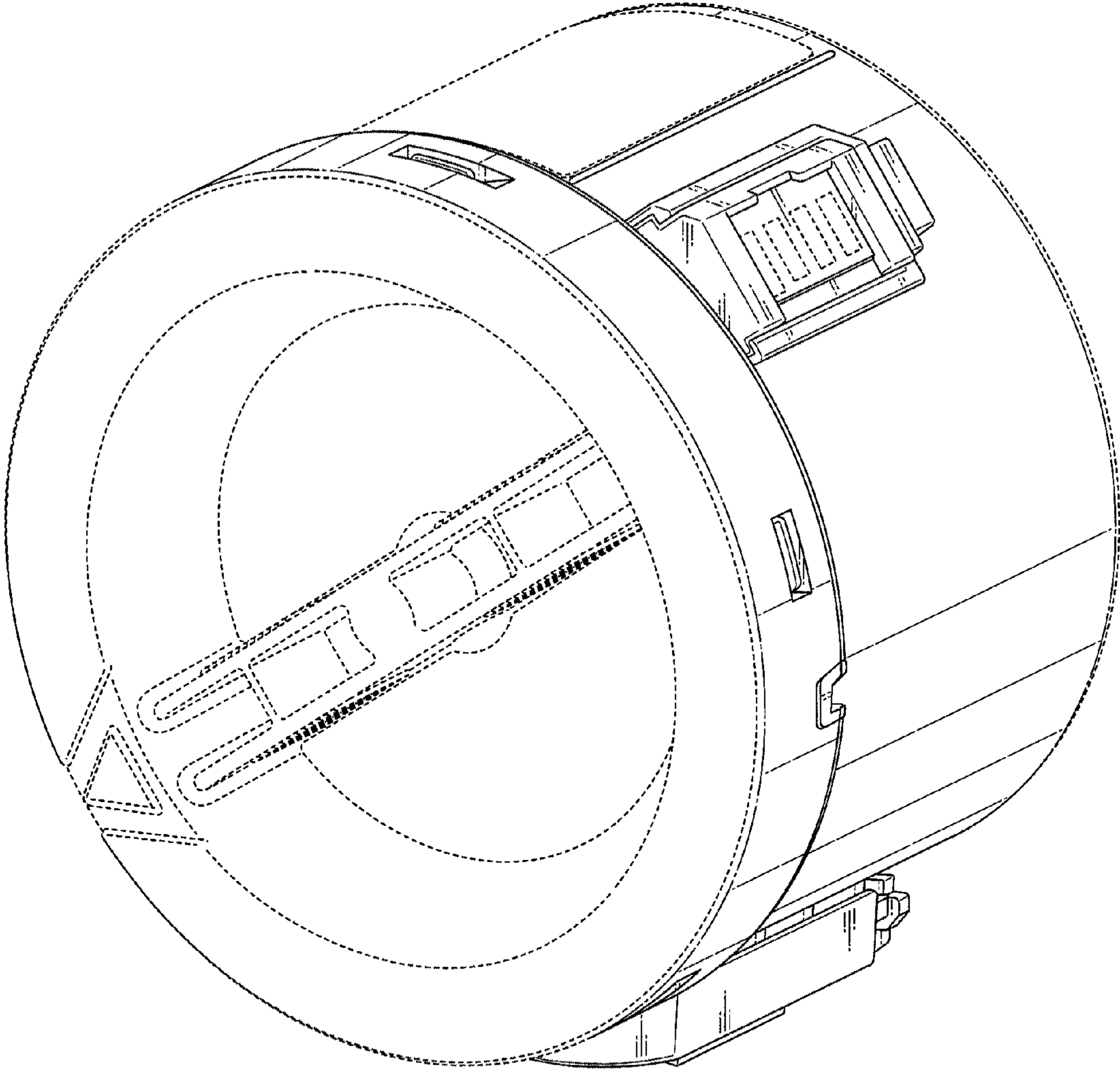


Fig. 4

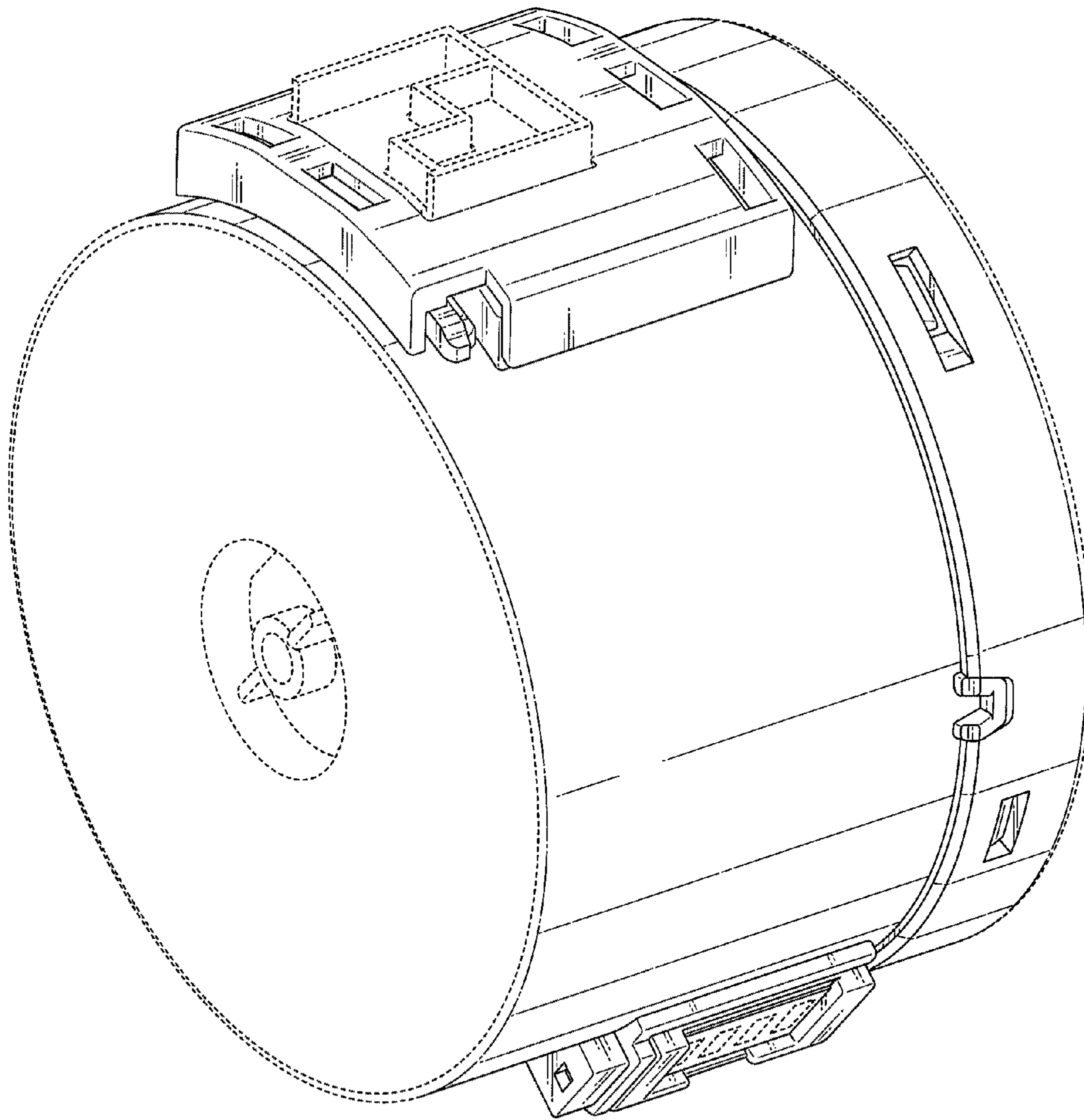


Fig. 5

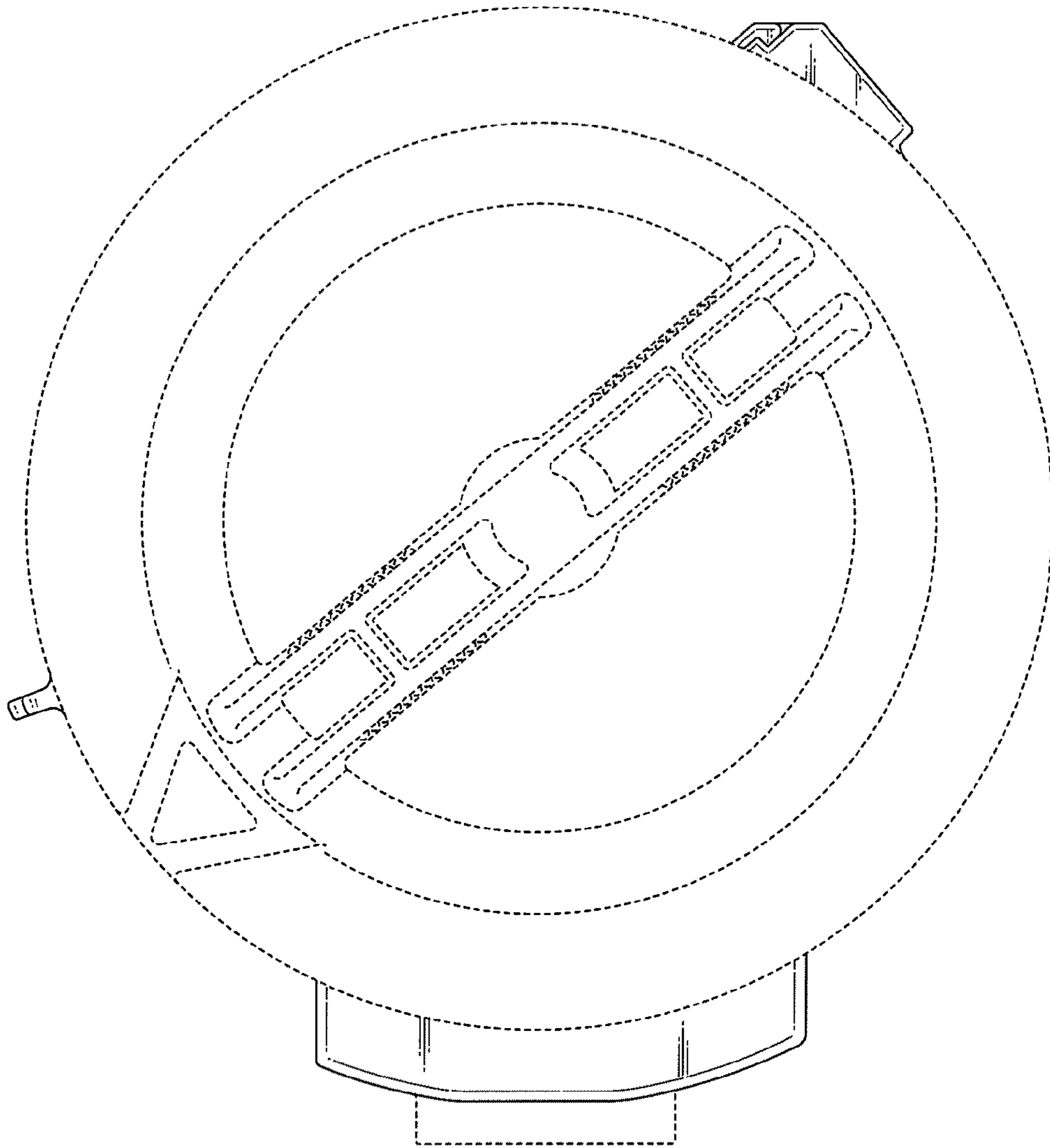


Fig. 6

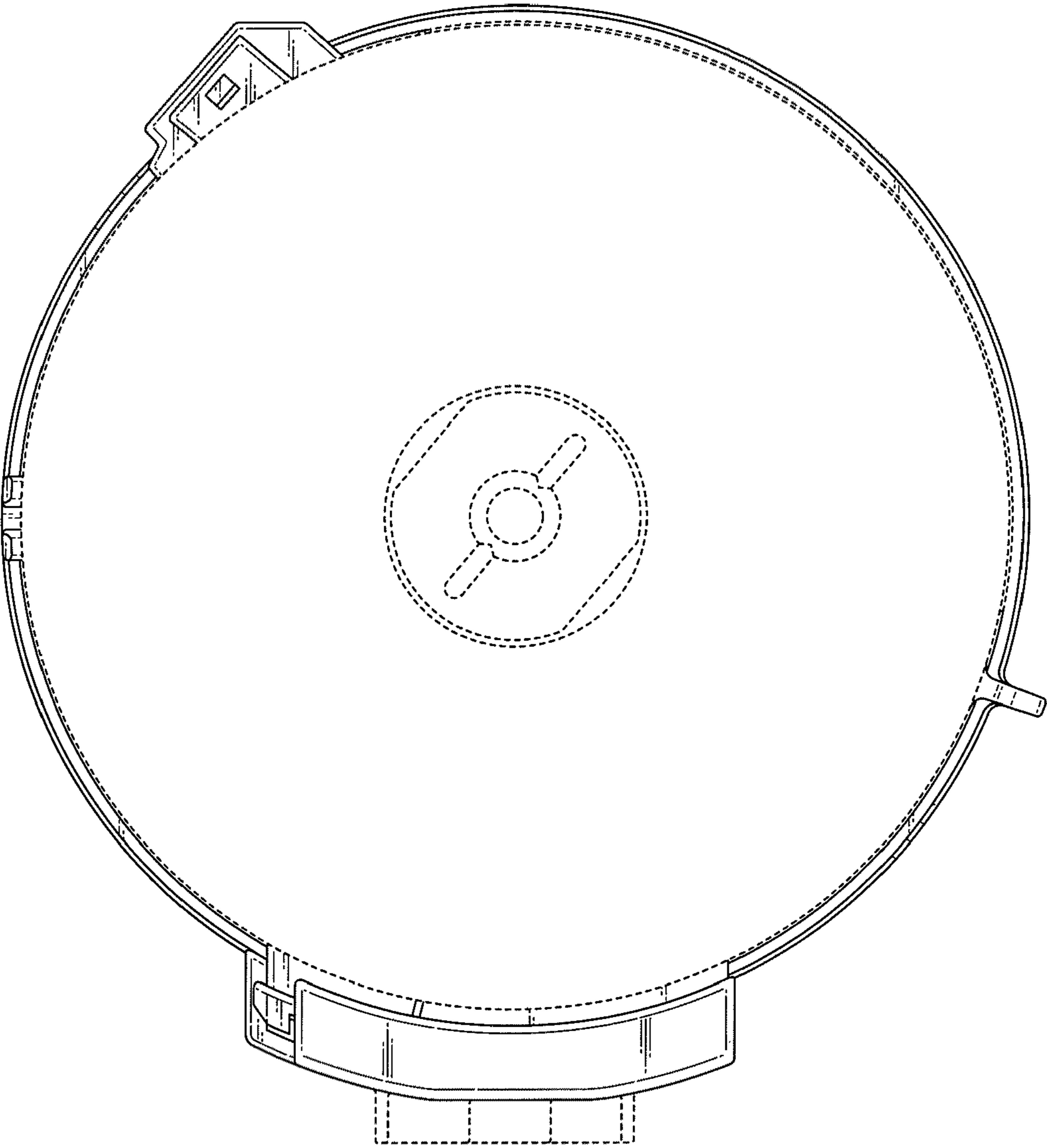


Fig. 7

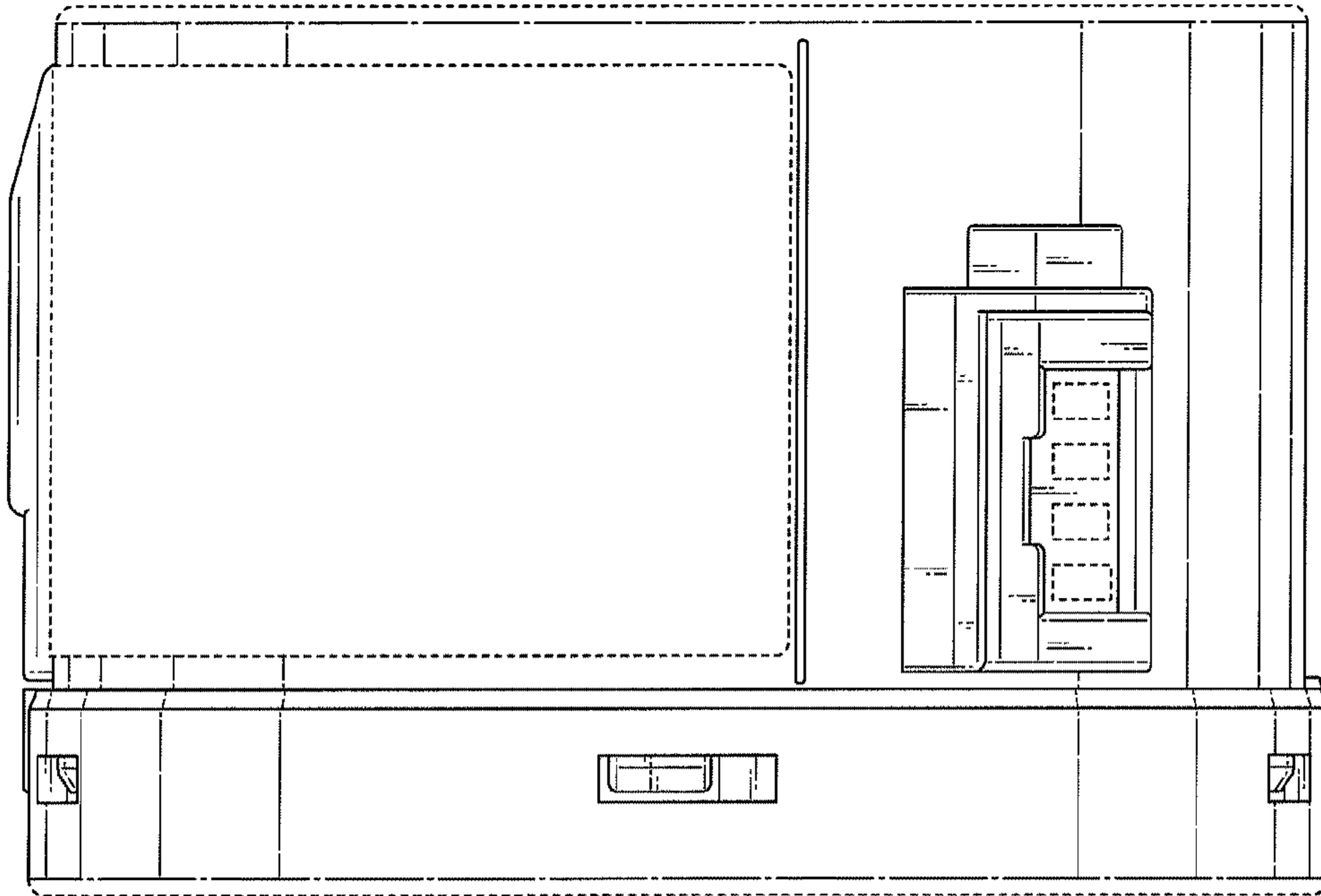


Fig. 8

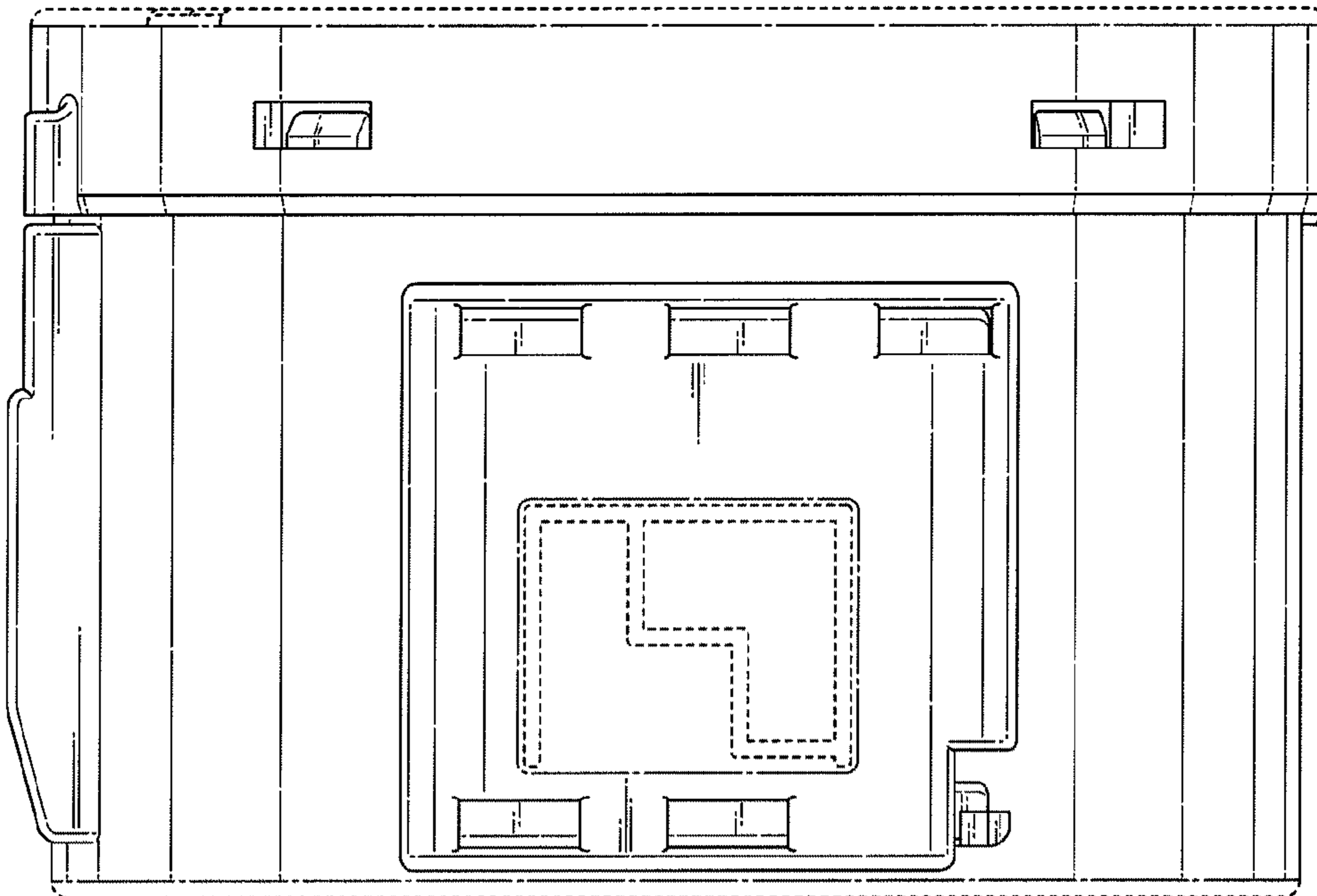


Fig. 9

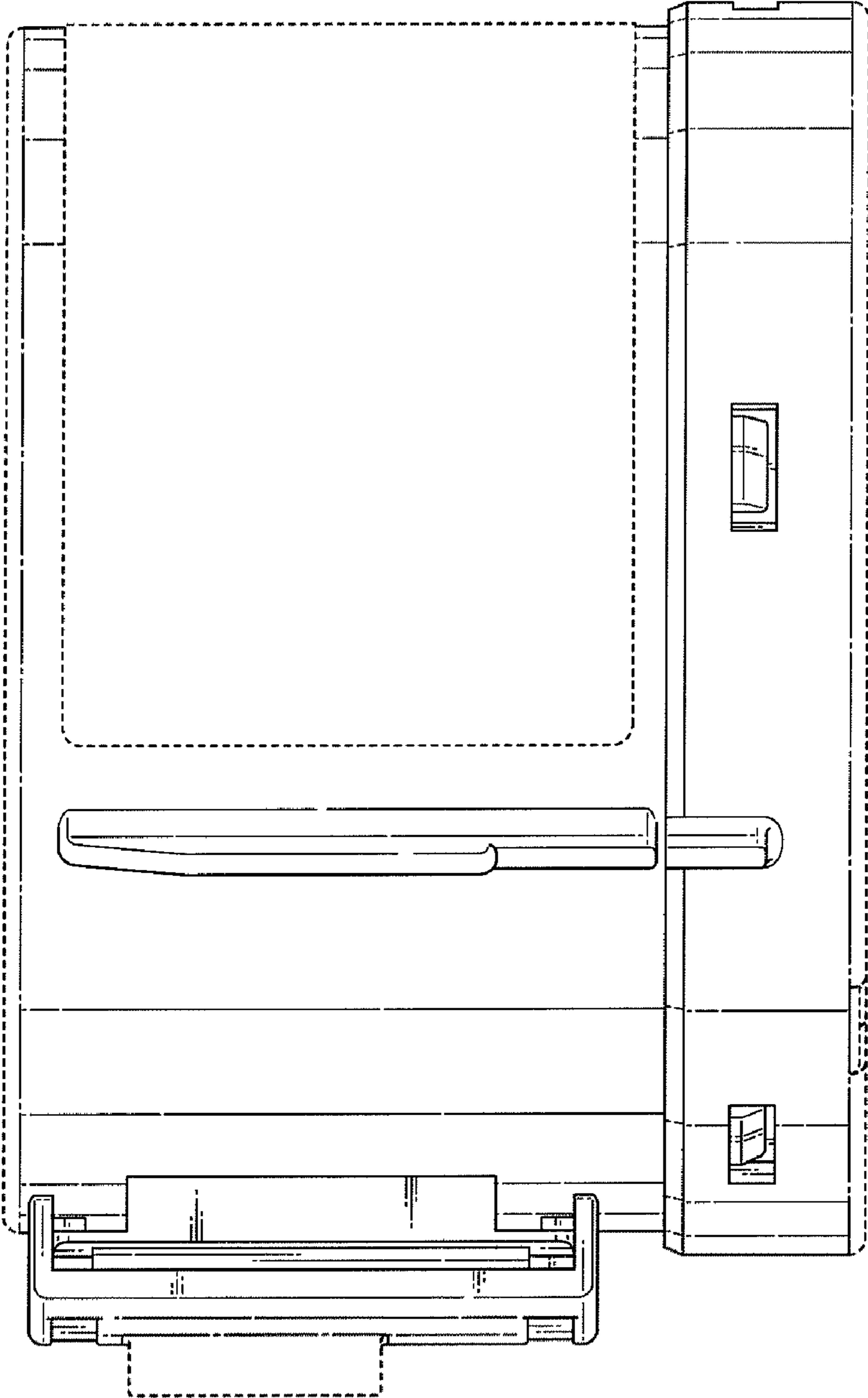


Fig. 10

