



US00D652072S

(12) **United States Design Patent**  
**Han**

(10) **Patent No.:** **US D652,072 S**  
(45) **Date of Patent:** **\*\* Jan. 10, 2012**

(54) **DEVELOPING DEVICE FOR A LASER PRINTER**

(75) Inventor: **Min-Soo Han**, Kyunggi-do (KR)

(73) Assignee: **Samsung Electronics Co., Ltd.**, Suwon, Kyunggi-Do (KR)

(\*\*) Term: **14 Years**

(21) Appl. No.: **29/372,424**

(22) Filed: **Nov. 17, 2010**

(51) **LOC (9) Cl.** ..... **16-03**

(52) **U.S. Cl.** ..... **D18/43**

(58) **Field of Classification Search** ..... D14/471;  
D18/12, 36, 40, 43, 44, 56; 222/DIG. 1;  
347/197, 222; 399/24-28, 107-112, 119,  
399/121, 122, 222-224

See application file for complete search history.

(56) **References Cited**

**U.S. PATENT DOCUMENTS**

D374,455 S *	10/1996	Senshiki	.....	D18/43
D378,830 S	4/1997	Kim		
D397,140 S *	8/1998	Oshida	.....	D18/40
D458,300 S *	6/2002	Kwon	.....	D18/43
D500,515 S *	1/2005	Karakama et al.	.....	D18/40
D509,533 S *	9/2005	Karakama et al.	.....	D18/40
D538,850 S	3/2007	Choi et al.		
D539,335 S	3/2007	Jeon et al.		
D544,528 S	6/2007	Kim		
D546,382 S	7/2007	Noh et al.		
D547,368 S	7/2007	Han		
D551,286 S	9/2007	Han		
D555,193 S	11/2007	Choi		
D559,902 S	1/2008	Park et al.		
D570,403 S	6/2008	Park et al.		
D577,061 S	9/2008	Kim		

D580,485 S	11/2008	Park et al.		
D581,975 S	12/2008	Park et al.		
D582,473 S	12/2008	Park et al.		
D583,862 S	12/2008	Park et al.		
D584,343 S	1/2009	Kwon		
D584,345 S	1/2009	Choi et al.		
D584,765 S	1/2009	Park et al.		
D585,482 S *	1/2009	Kubota et al.	.....	D18/43
D586,847 S	2/2009	Han		
D587,303 S	2/2009	Park		

(Continued)

**OTHER PUBLICATIONS**

U.S. Appl. No. 29/316,709, Applicant: Jong-in Kim, filed Oct. 23, 2009 entitled Cartridge for Printer Development Device.

(Continued)

*Primary Examiner* — Garth Rademaker

(74) *Attorney, Agent, or Firm* — Flynn, Thiel, Boutell & Tanis, P.C.

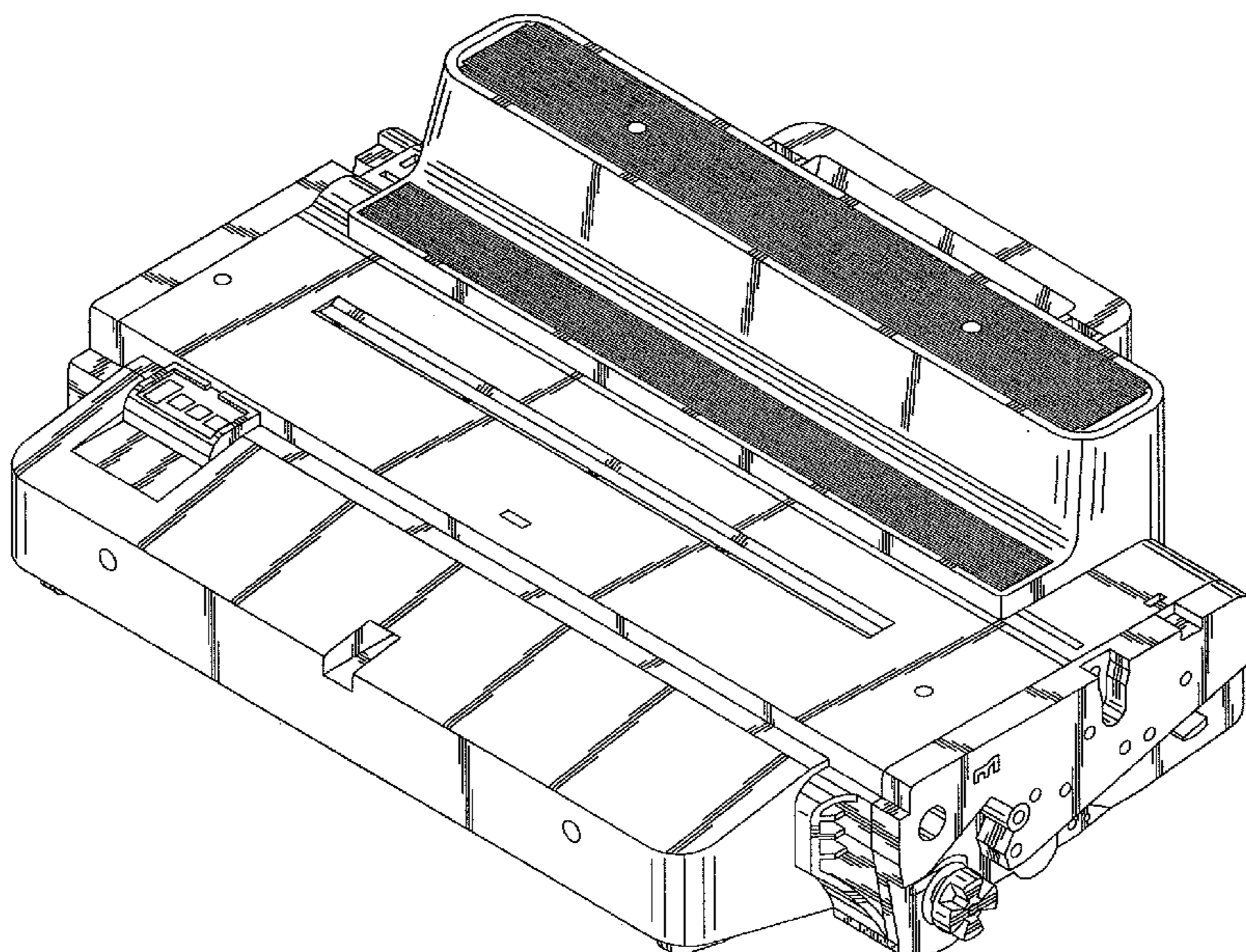
(57) **CLAIM**

The ornamental design for a developing device for a laser printer, as shown and described.

**DESCRIPTION**

FIG. 1 is a top front perspective view of a developing device for a laser printer showing my new design; FIG. 2 is a front elevational view thereof; FIG. 3 is a rear elevational view thereof; FIG. 4 is a left side elevational view thereof; FIG. 5 is a right side elevational view thereof; FIG. 6 is a top plan view thereof; and, FIG. 7 is a bottom plan view thereof. The broken lines depict environmental subject matter only and form no part of the claimed design.

**1 Claim, 5 Drawing Sheets**



U.S. PATENT DOCUMENTS

D588,191 S 3/2009 Baek et al.  
D597,592 S 8/2009 Kim  
D597,593 S 8/2009 Jeon et al.  
D598,049 S 8/2009 Park  
D600,276 S 9/2009 Noh et al.  
D600,744 S 9/2009 Kim  
D613,331 S 4/2010 Park et al.  
D624,583 S 9/2010 Lee et al.  
D624,584 S 9/2010 Park et al.  
D624,585 S 9/2010 Park et al.  
D624,958 S 10/2010 Park et al.  
D625,755 S 10/2010 Park et al.

OTHER PUBLICATIONS

U.S. Appl. No. 29/316,711, Applicant: Jong-In Kim, filed Oct. 23, 2009 entitled Cartridge for Printer Development Device.

U.S. Appl. No. 29/348,991, Applicant: Dae-Seob Kweon, et al., filed Feb. 26, 2010 entitled Developing Device for a Laser Printer.

U.S. Appl. No. 29/372,421, Applicant: Min-Soo Han, filed Nov. 17, 2010 entitled Developing Device for a Laser Printer.

\* cited by examiner



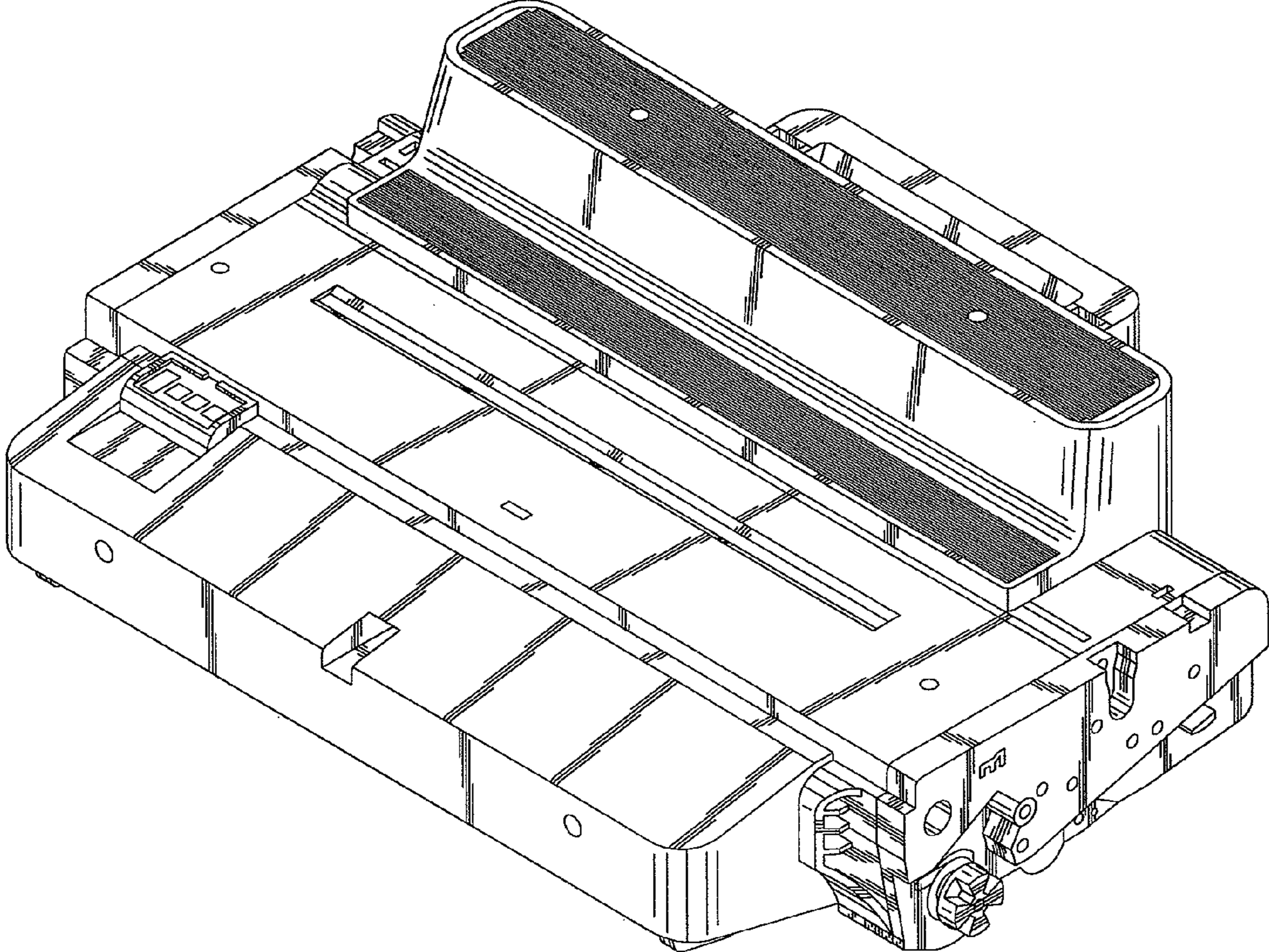


FIG.1

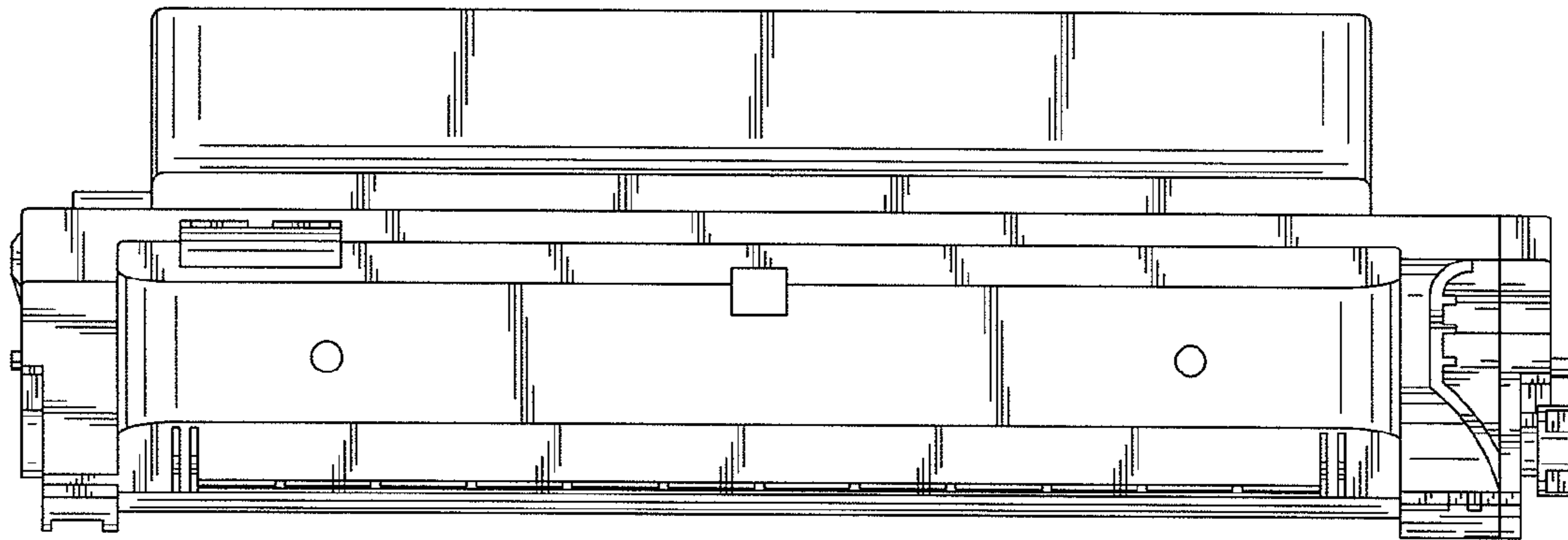


FIG. 2

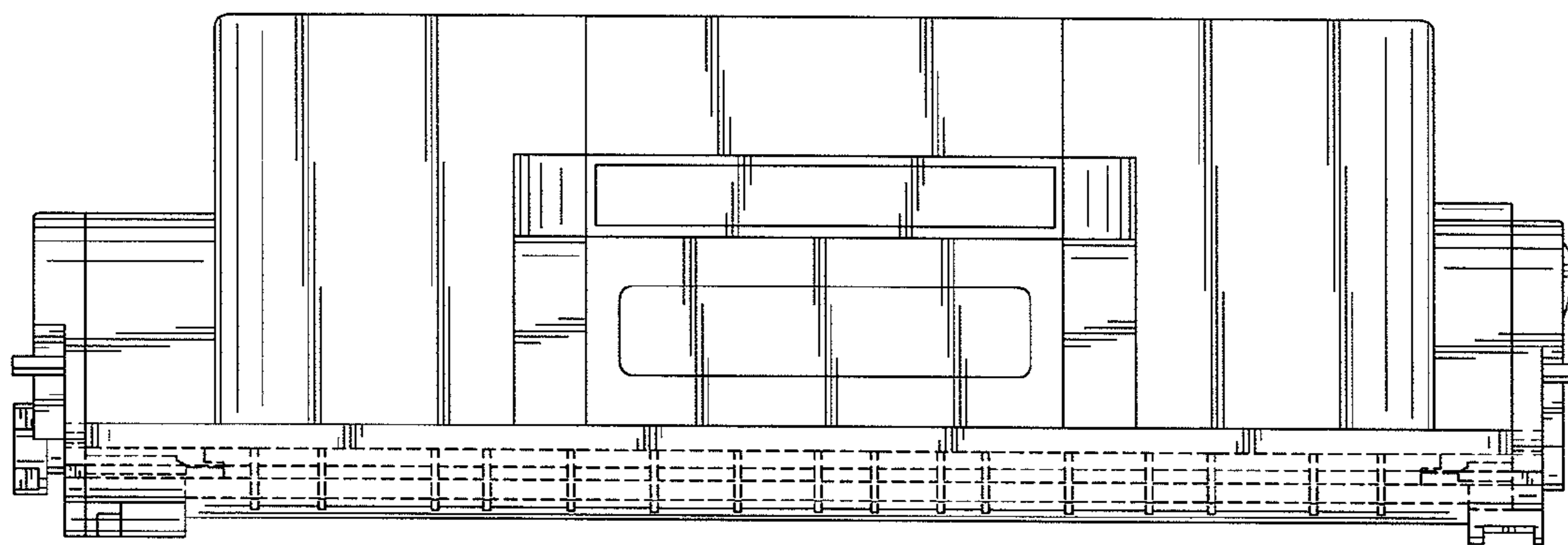


FIG. 3

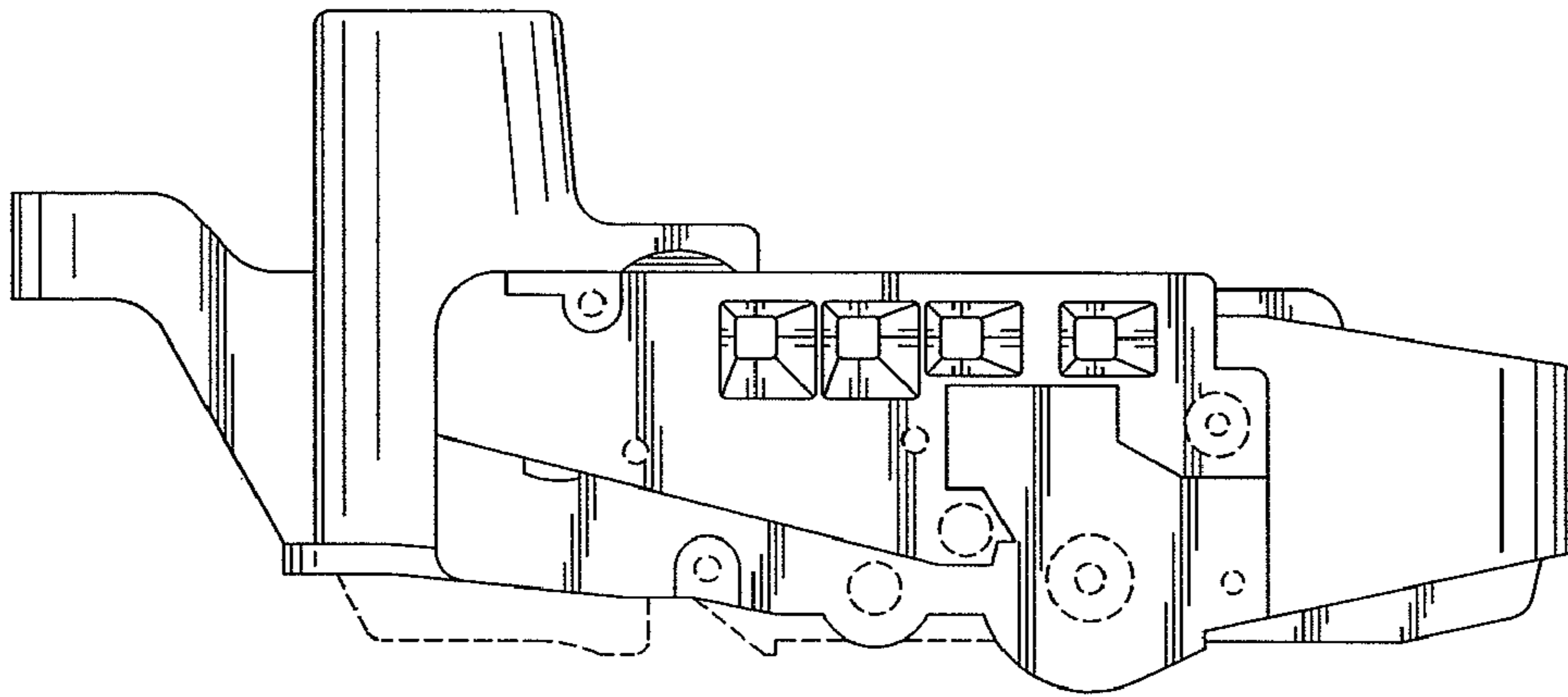


FIG.4

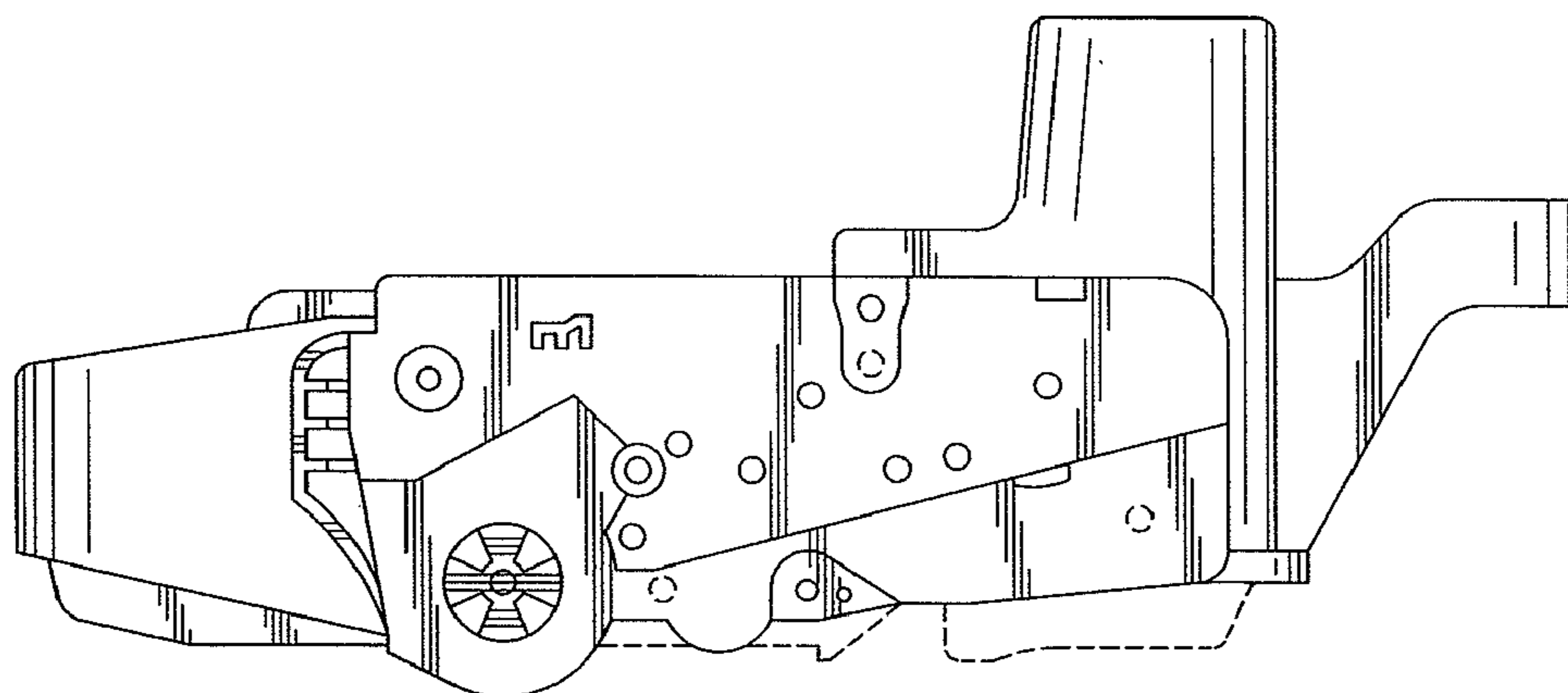


FIG.5

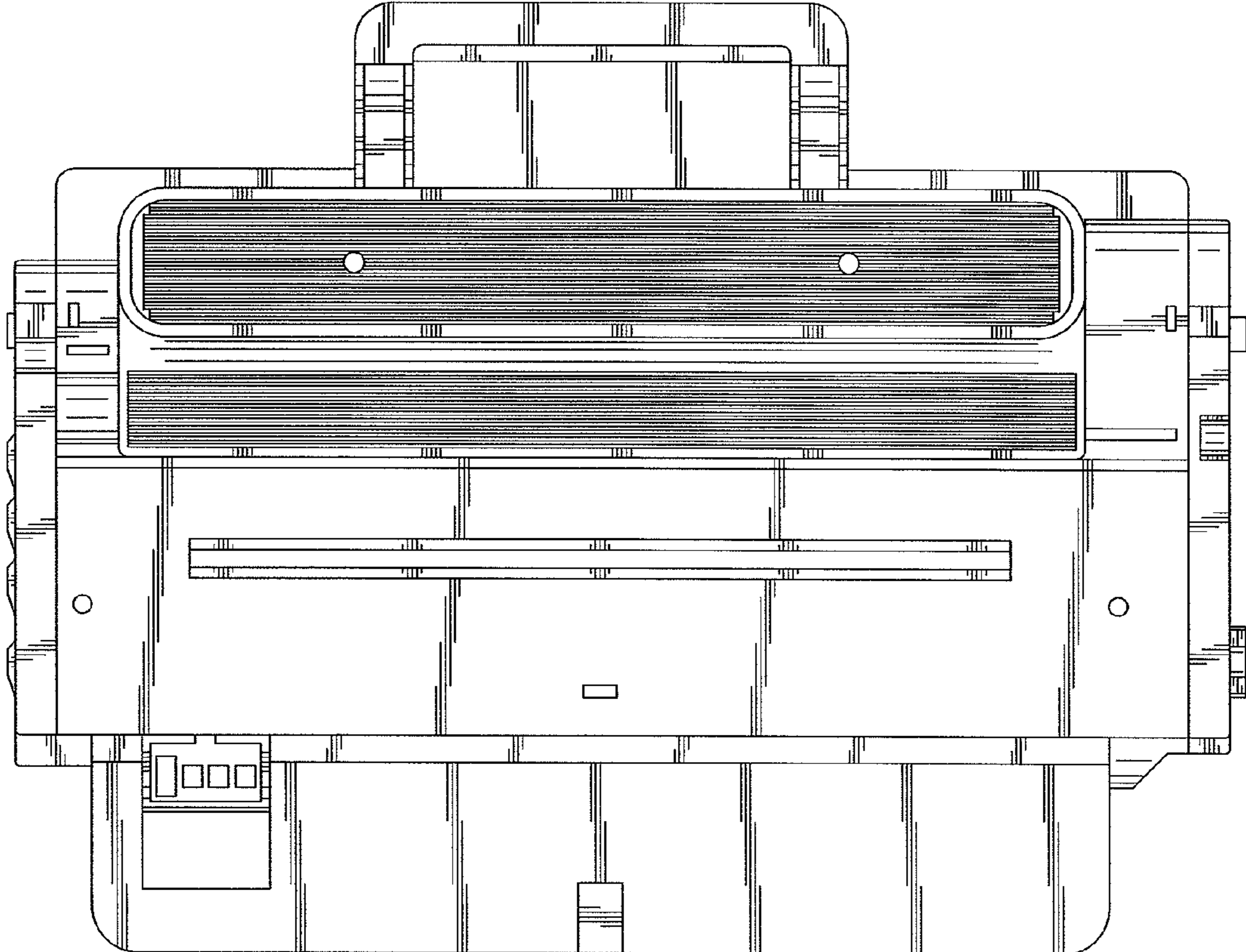


FIG.6



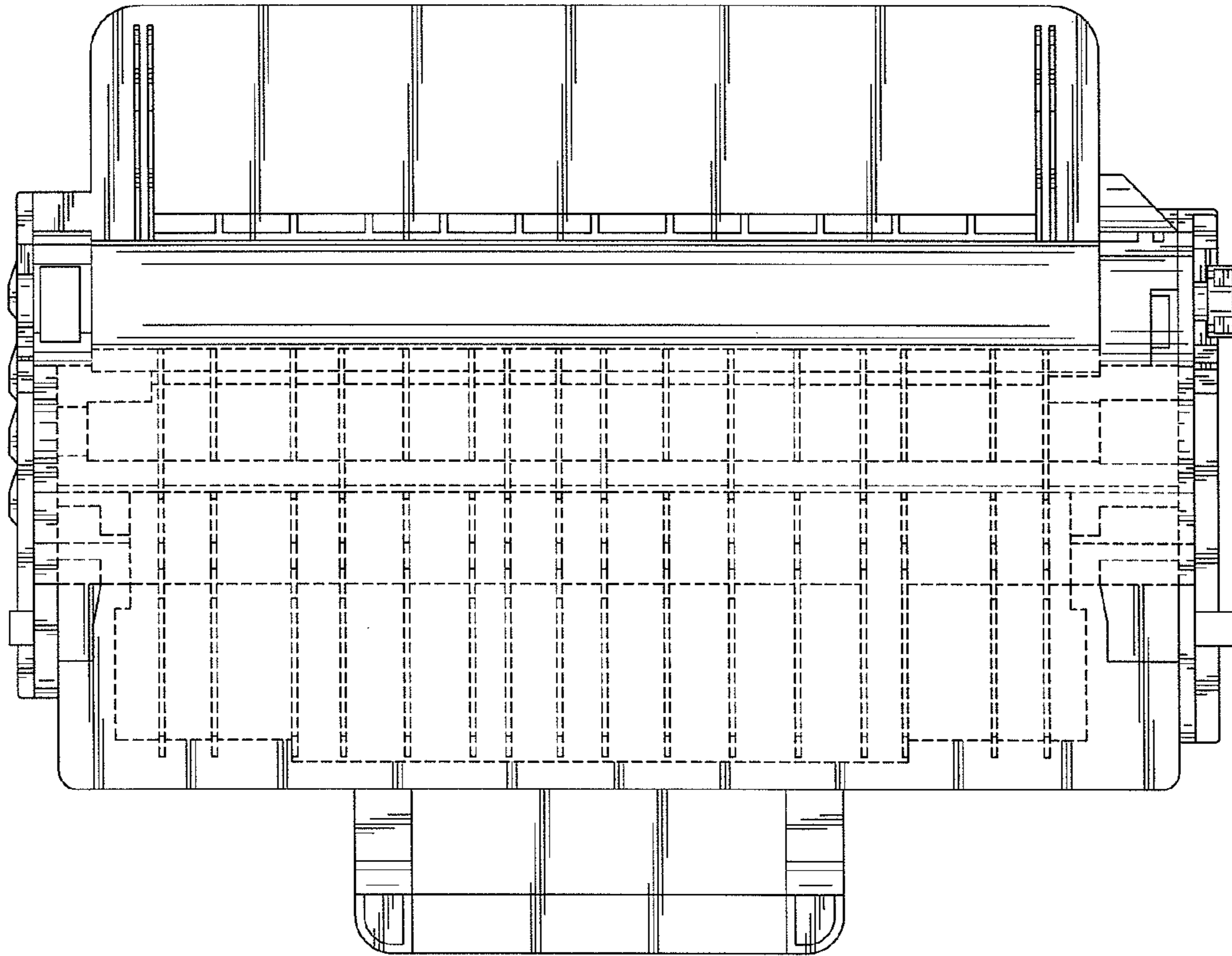


FIG.7