



US00D652067S

(12) **United States Design Patent**  
**Katsuraku et al.**

(10) **Patent No.:** **US D652,067 S**  
(45) **Date of Patent:** **\*\* Jan. 10, 2012**

(54) **DIGITAL CAMERA**

(75) Inventors: **Junko Katsuraku**, Tokyo (JP); **Naofumi Yoneda**, Tokyo (JP)

(73) Assignee: **Sony Corporation**, Tokyo (JP)

(\*\*) Term: **14 Years**

(21) Appl. No.: **29/347,873**

(22) Filed: **Jul. 2, 2010**

(30) **Foreign Application Priority Data**

Jan. 5, 2010 (CN) ..... 2010 3 0002006  
Jan. 5, 2010 (CN) ..... 2010 3 0002009  
Jan. 6, 2010 (JP) ..... D2010-000126

(51) **LOC (9) Cl.** ..... **16-05**

(52) **U.S. Cl.** ..... **D16/243; D16/219**

(58) **Field of Classification Search** ..... D16/200,  
D16/201, 202, 204, 206, 208, 218, 219, 243;  
348/373-376; 358/909.1; 396/535-541

See application file for complete search history.

(56) **References Cited**

**U.S. PATENT DOCUMENTS**

D450,074 S 11/2001 Miyashita  
D453,177 S \* 1/2002 Uehara ..... D16/204  
D462,371 S 9/2002 Hamamura  
D500,775 S 1/2005 Iue  
D508,937 S 8/2005 Sadatsuki  
D528,579 S 9/2006 Yasutomi  
D536,358 S \* 2/2007 Hanafusa ..... D16/219  
7,194,202 B2 \* 3/2007 Funahashi et al. .... 396/27  
D543,228 S 5/2007 Miyashita  
D552,646 S \* 10/2007 Bai ..... D16/202  
D555,688 S \* 11/2007 Yoo et al. .... D16/202  
D556,229 S \* 11/2007 Bai ..... D16/202  
D561,218 S \* 2/2008 Kim ..... D16/202  
D561,230 S 2/2008 Song  
D570,391 S 6/2008 Hibi  
D574,868 S 8/2008 Hayamizu  
D577,048 S 9/2008 Kinemura et al.  
D630,668 S \* 1/2011 Miyashita ..... D16/243

**FOREIGN PATENT DOCUMENTS**

JP D1098360 S 1/2001  
JP D1184920 S 9/2003  
JP D1194847 S 1/2004  
JP D1198211 S 2/2004  
JP D1206649 S 5/2004  
JP D1249185 S 8/2005  
JP D1271195 S 5/2006  
JP D1325692 S 3/2008  
JP D1326198 S 4/2008  
JP D1365276 S 7/2009

**OTHER PUBLICATIONS**

Web page "PL55" [http://www.samsung.com/uk/consumer/camera-camcorder/digital-cameras/compact/EC-PL55ZZBPR . . .](http://www.samsung.com/uk/consumer/camera-camcorder/digital-cameras/compact/EC-PL55ZZBPR...), i sheet, Samsung (2010).

Web page "Coolpix L19", [http://www3.europe-nikon.com/product/en\\_GB/products/board/1754/overview/html](http://www3.europe-nikon.com/product/en_GB/products/board/1754/overview/html), 1 sheet, Nikon (2010).

\* cited by examiner

*Primary Examiner* — Adir Aronovich

(74) *Attorney, Agent, or Firm* — Rader, Fishman & Grauer PLLC

(57) **CLAIM**

The ornamental design for a digital camera, as shown and described.

**DESCRIPTION**

FIG. 1 is a perspective view of a digital camera showing our new design;  
FIG. 2 is a front elevational view thereof;  
FIG. 3 is a rear elevational view thereof;  
FIG. 4 is a left side elevational view thereof;  
FIG. 5 is a right side elevational view thereof;  
FIG. 6 is top plan view thereof; and,  
FIG. 7 is bottom plan view thereof.  
Portions in broken lines are for illustrative purpose only and form no part of the claimed design. Dot-dash broken lines define the boundaries of, but not included in, the claimed design.

**1 Claim, 5 Drawing Sheets**

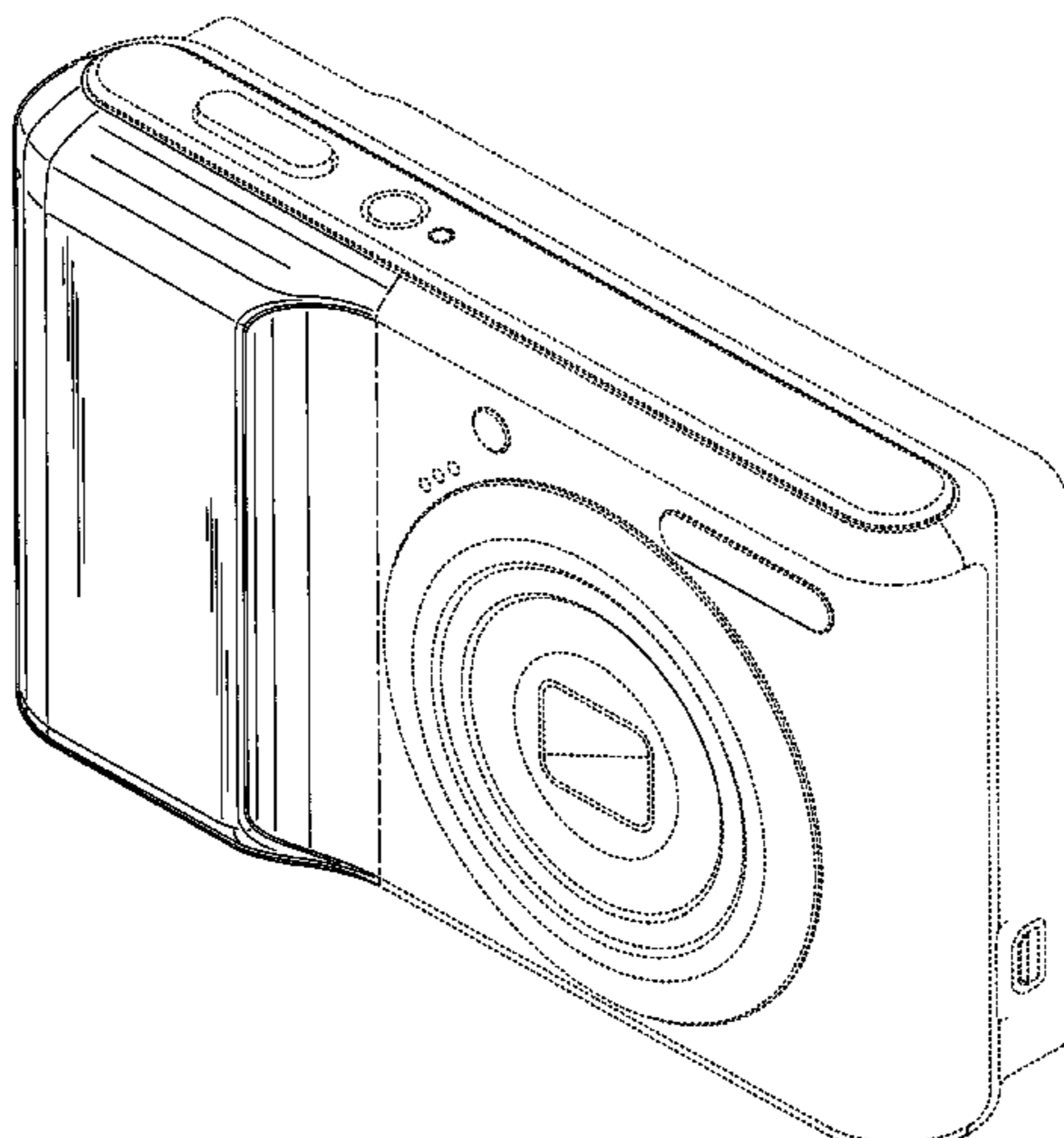


FIG.1

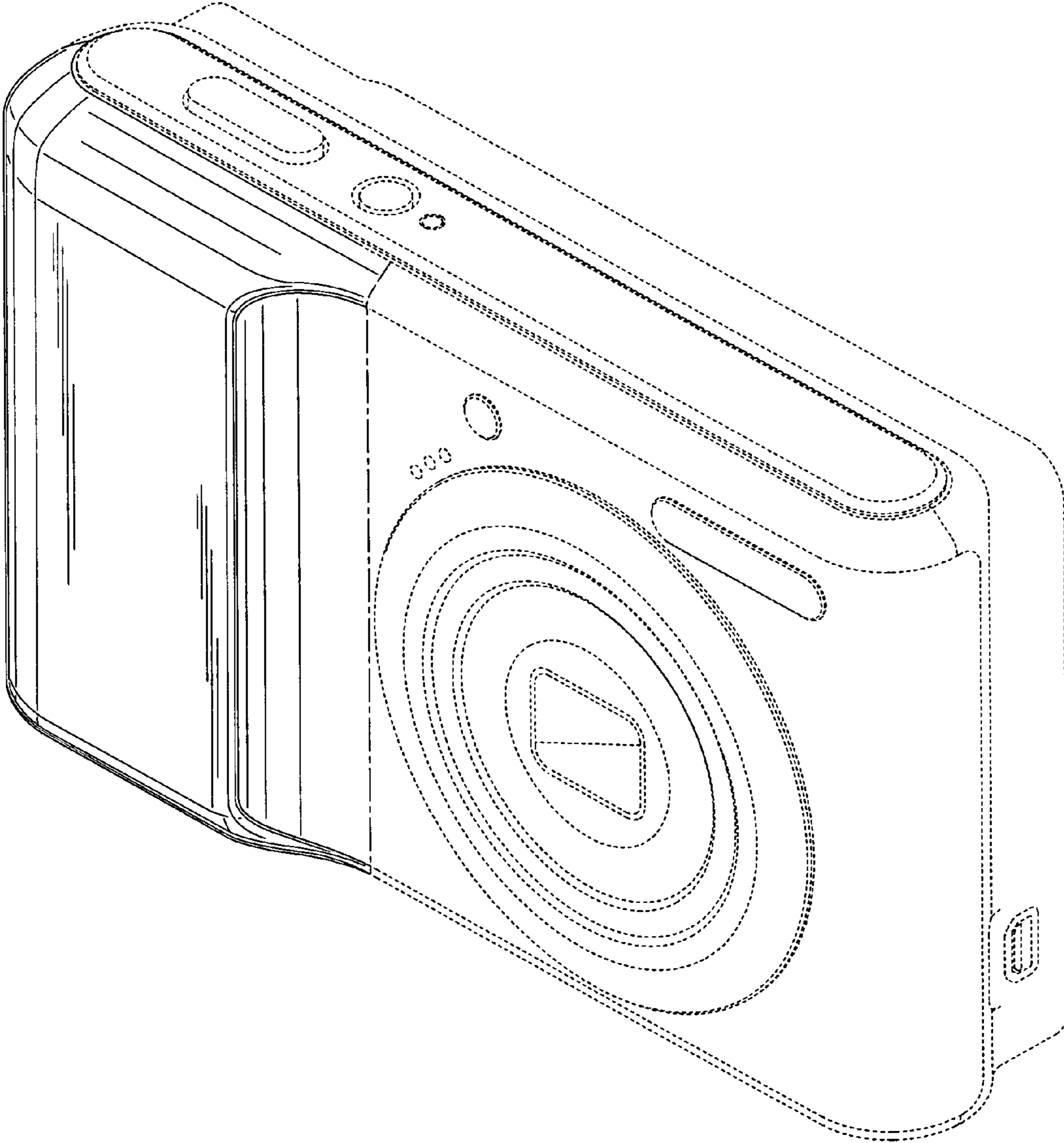


FIG.2

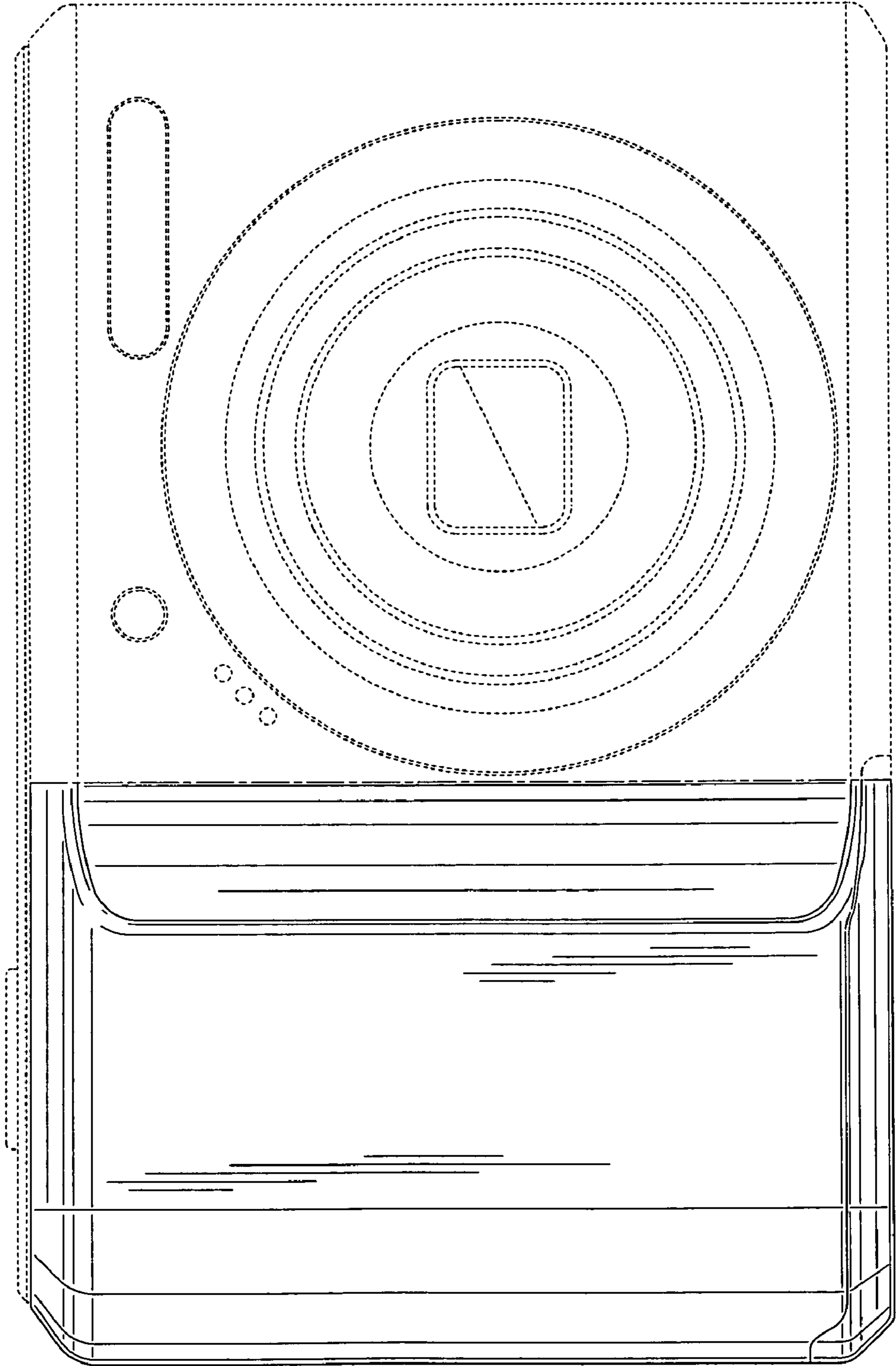


FIG.3

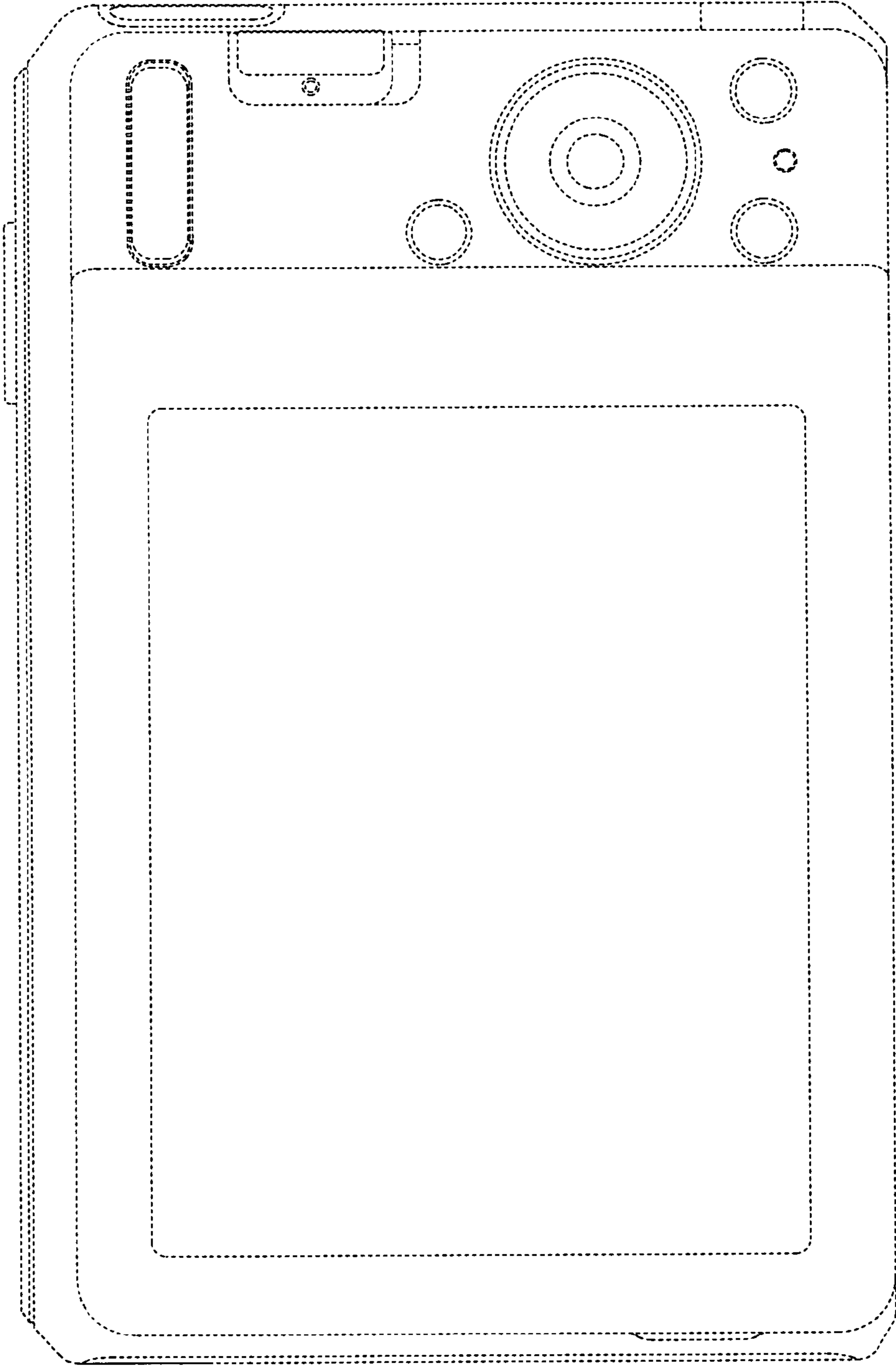




FIG.5

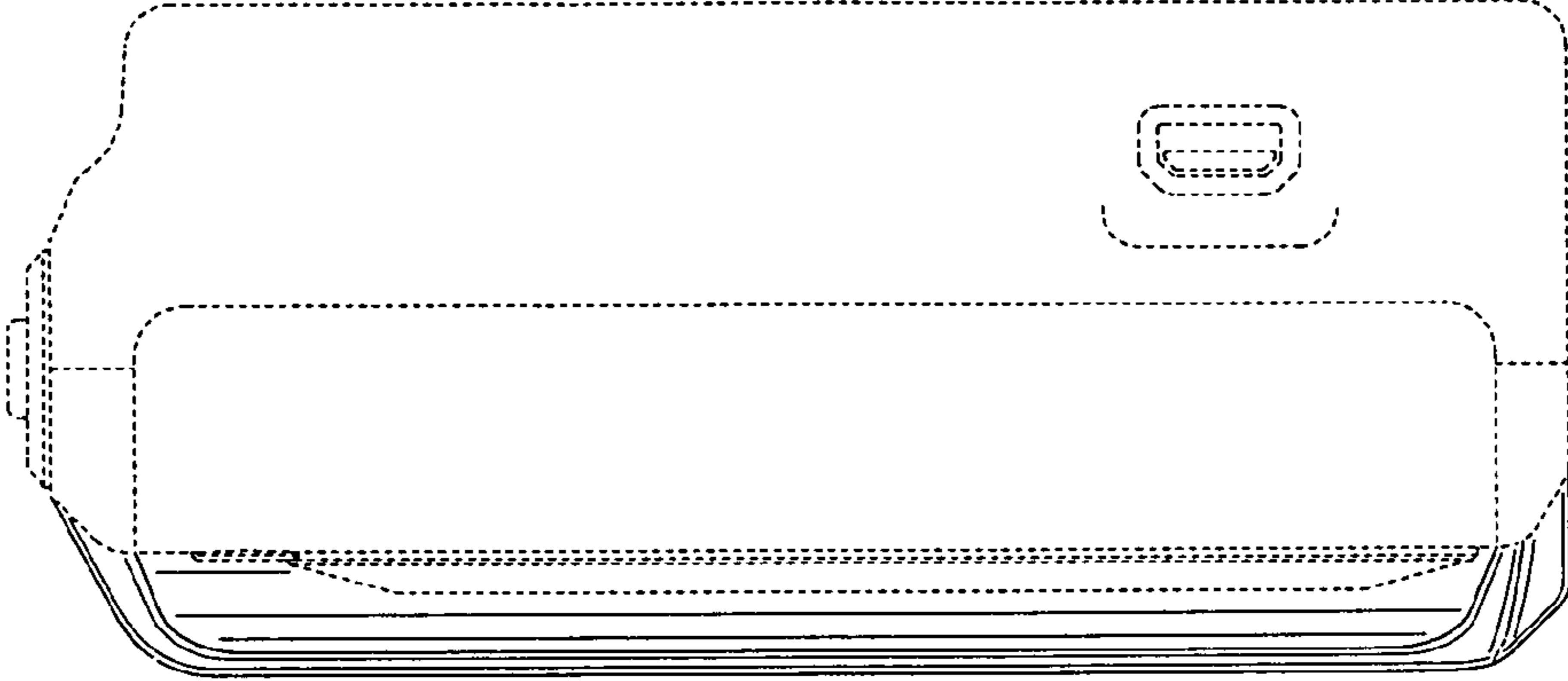


FIG.4

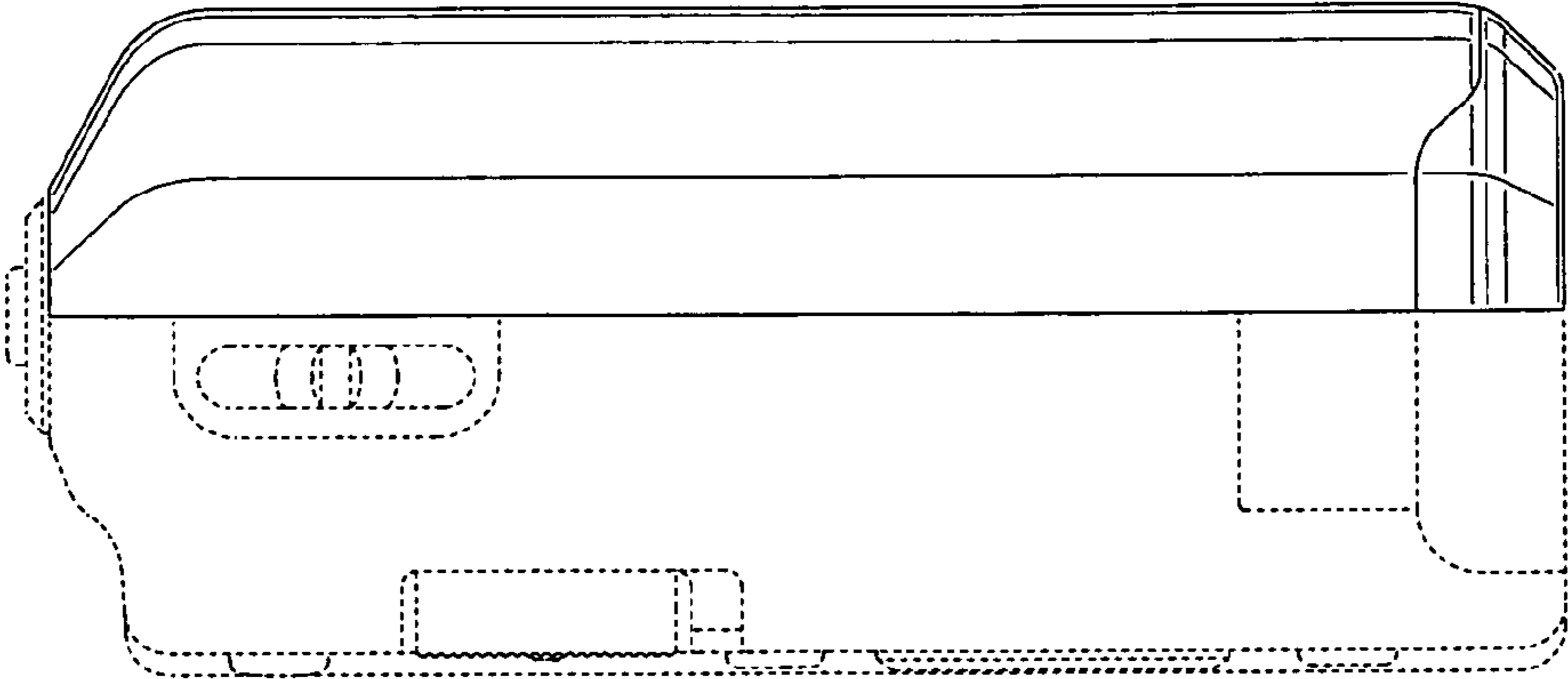


FIG.6

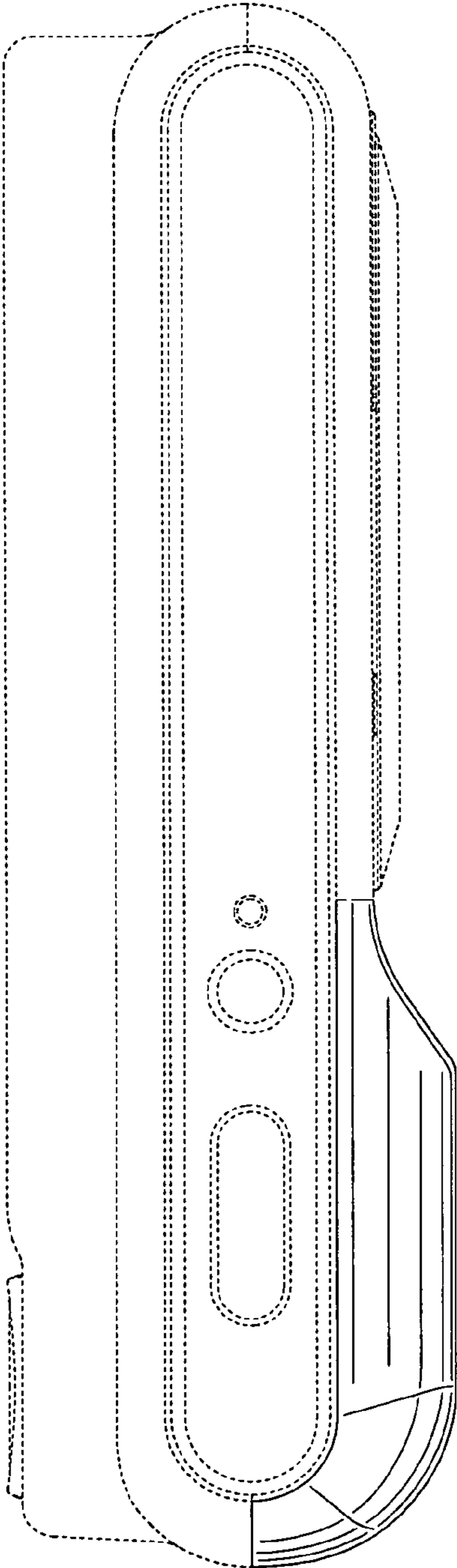


FIG.7

