



US00D652063S

(12) **United States Design Patent**
Takeuchi et al.

(10) **Patent No.:** **US D652,063 S**
(45) **Date of Patent:** **** Jan. 10, 2012**

(54) **CONSOLE FOR CONSTRUCTION MACHINE**

(75) Inventors: **Akitaka Takeuchi**, Tokyo (JP); **Wataru Isaka**, Mito (JP); **Kazunori Komatsu**, Kasumigaura (JP); **Ei Takahashi**, Ushiku (JP); **Hiroki Nakazono**, Ryugasaki (JP); **Koji Hyodo**, Kasumigaura (JP); **Masaki Yoshikawa**, Kasama (JP); **Hirofumi Oouchi**, Toride (JP)

(73) Assignees: **Hitachi Construction Machinery Co., Ltd.**, Tokyo (JP); **KCM Corporation**, Hyogo (JP)

(**) Term: **14 Years**

(21) Appl. No.: **29/396,138**

(22) Filed: **Jun. 27, 2011**

(30) **Foreign Application Priority Data**

Dec. 27, 2010 (JP) 2010-031118

(51) **LOC (9) Cl.** **15-03**

(52) **U.S. Cl.** **D15/28**

(58) **Field of Classification Search** D15/17,
D15/22-26, 28, 31, 33; D12/192, 419, 421;
180/69.2, 69.21, 69.24, 90; 296/70, 30, 72,
296/191, 192, 193.03

See application file for complete search history.

(56) **References Cited**

U.S. PATENT DOCUMENTS

D206,322 S * 11/1966 Ornas, Jr. et al. D12/192
3,452,835 A * 7/1969 Jacobsen et al. 180/90
4,126,202 A * 11/1978 Hern 180/89.12

D256,018 S * 7/1980 Stone et al. D15/28
D365,574 S * 12/1995 Westimayer et al. D15/17
5,725,065 A * 3/1998 Knurr et al. 180/69.2
D427,613 S * 7/2000 Altmann et al. D15/28
D428,022 S * 7/2000 Altmann et al. D15/28
D459,734 S * 7/2002 Hohnl et al. D15/28
D471,564 S * 3/2003 Hohnl et al. D15/28
D515,593 S * 2/2006 Haubrich et al. D15/28
D519,132 S * 4/2006 Laux et al. D15/28
D534,468 S * 1/2007 Colburn et al. D12/192
D549,739 S * 8/2007 Stephens D15/28
D593,134 S * 5/2009 Kuwae et al. D15/28
D636,794 S * 4/2011 Ono et al. D15/28
D640,293 S * 6/2011 Ono et al. D15/28

FOREIGN PATENT DOCUMENTS

JP D 1233401 3/2005
JP D 1279819 8/2006

* cited by examiner

Primary Examiner — Mark Goodwin

(74) *Attorney, Agent, or Firm* — Antonelli, Terry, Stout & Kraus, LLP.

(57) **CLAIM**

The ornamental design for a console for construction machine, as shown and described.

DESCRIPTION

FIG. 1 is a perspective view of a console for construction machine showing our new design.

FIG. 2 is a front view thereof;

FIG. 3 is a rear side view thereof;

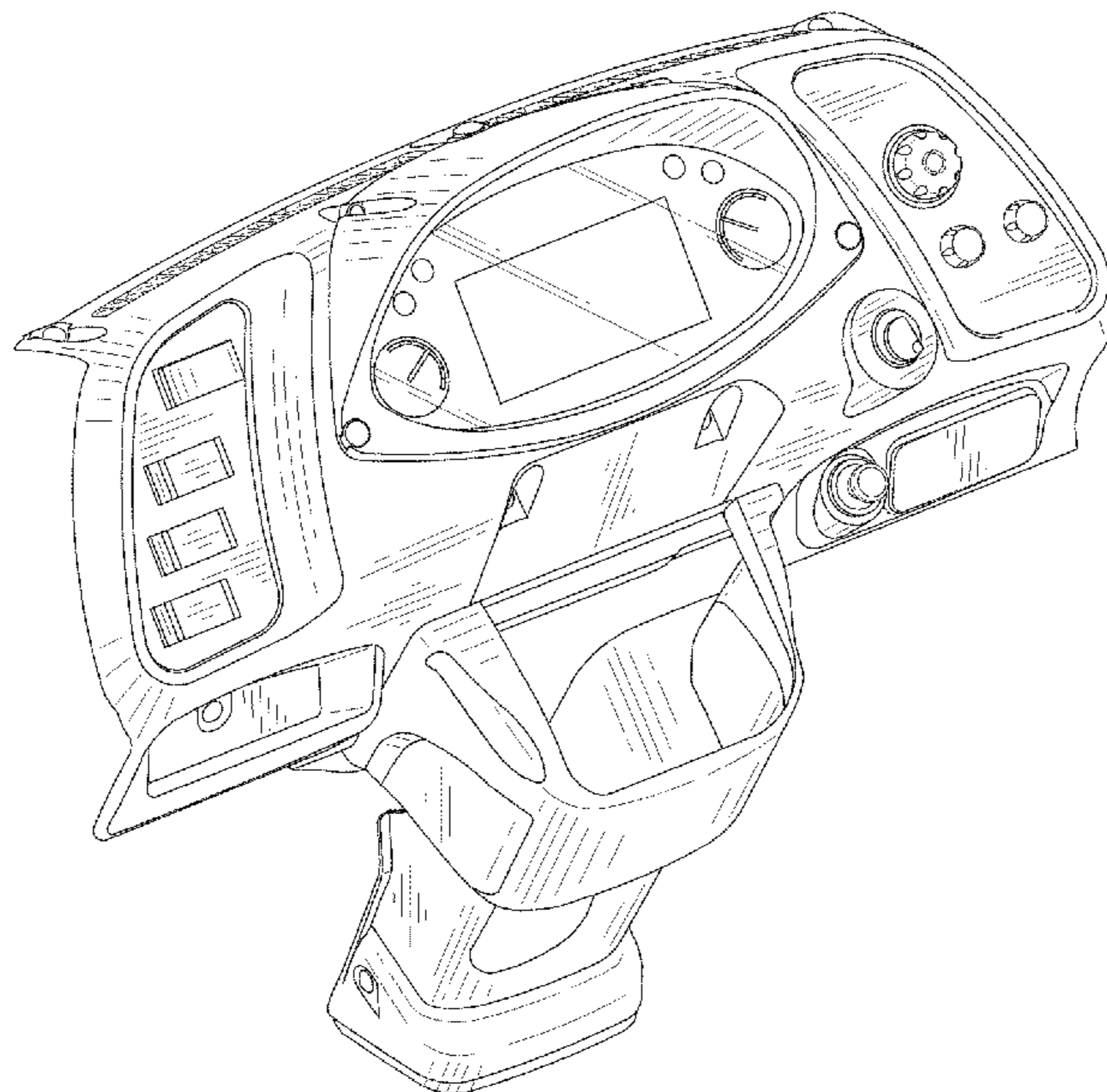
FIG. 4 is a left side view thereof;

FIG. 5 is a right side view thereof;

FIG. 6 is a top plan view thereof; and,

FIG. 7 is a bottom plan view thereof.

1 Claim, 5 Drawing Sheets



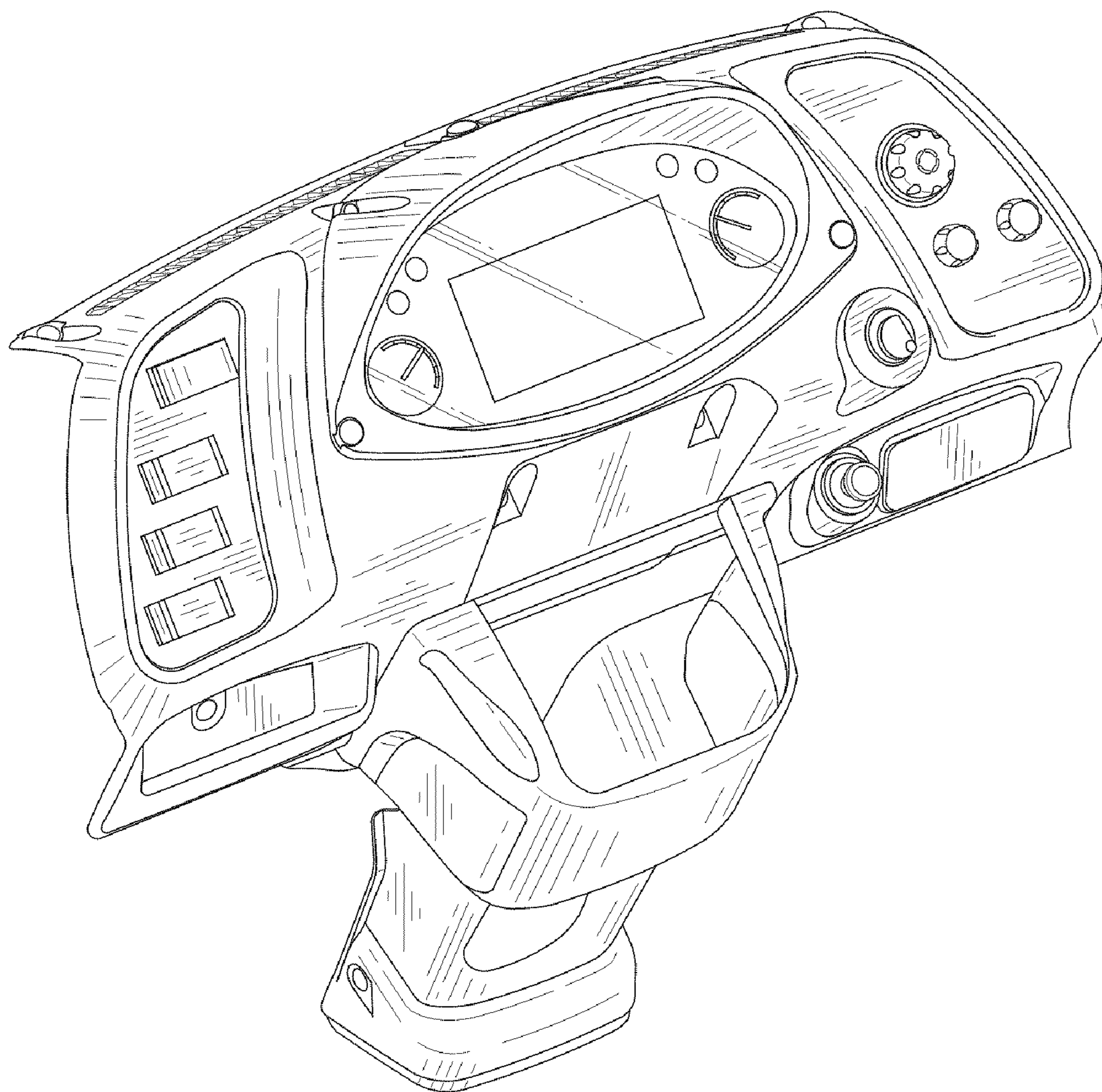


FIG. 1

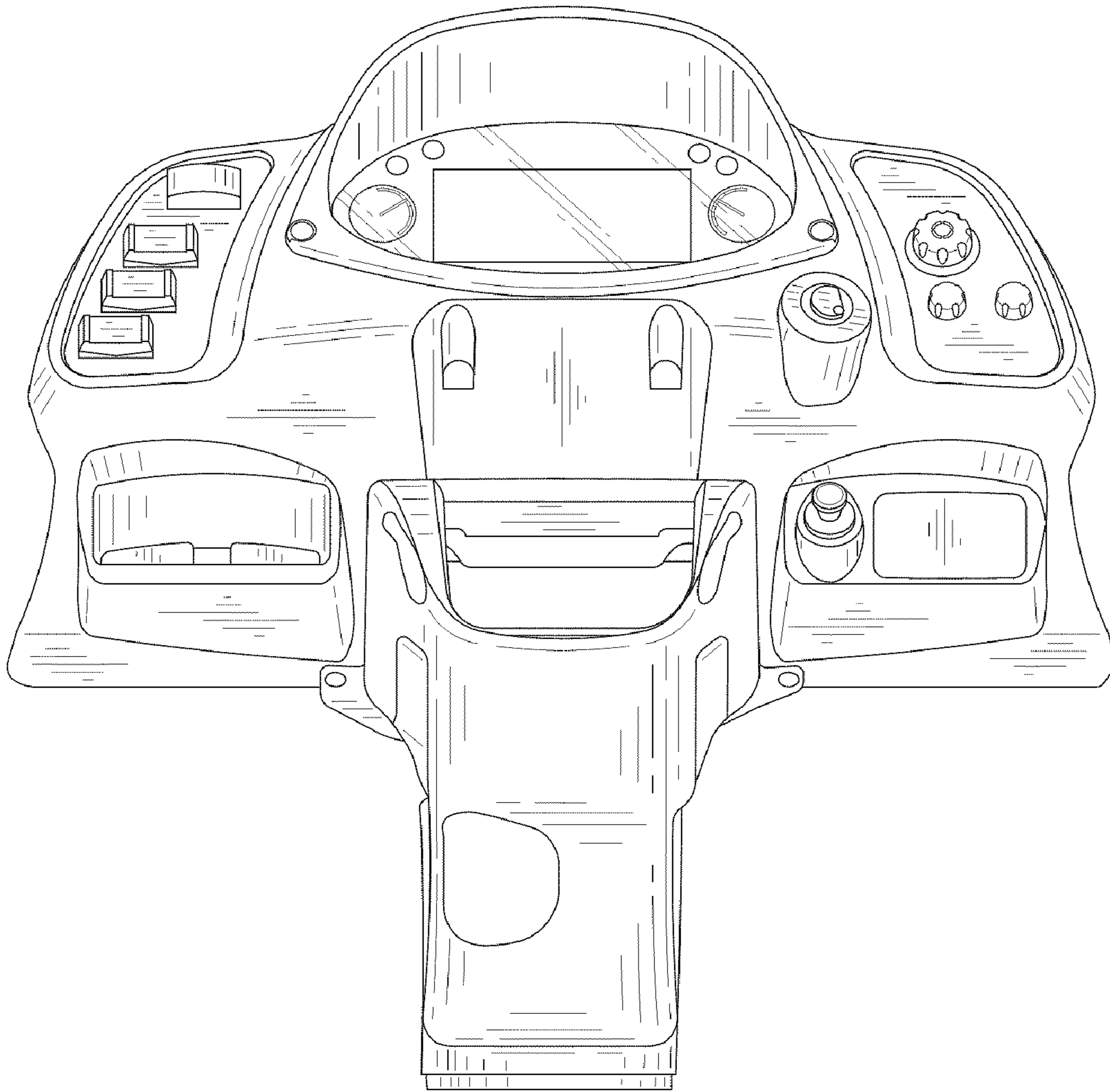


FIG. 2

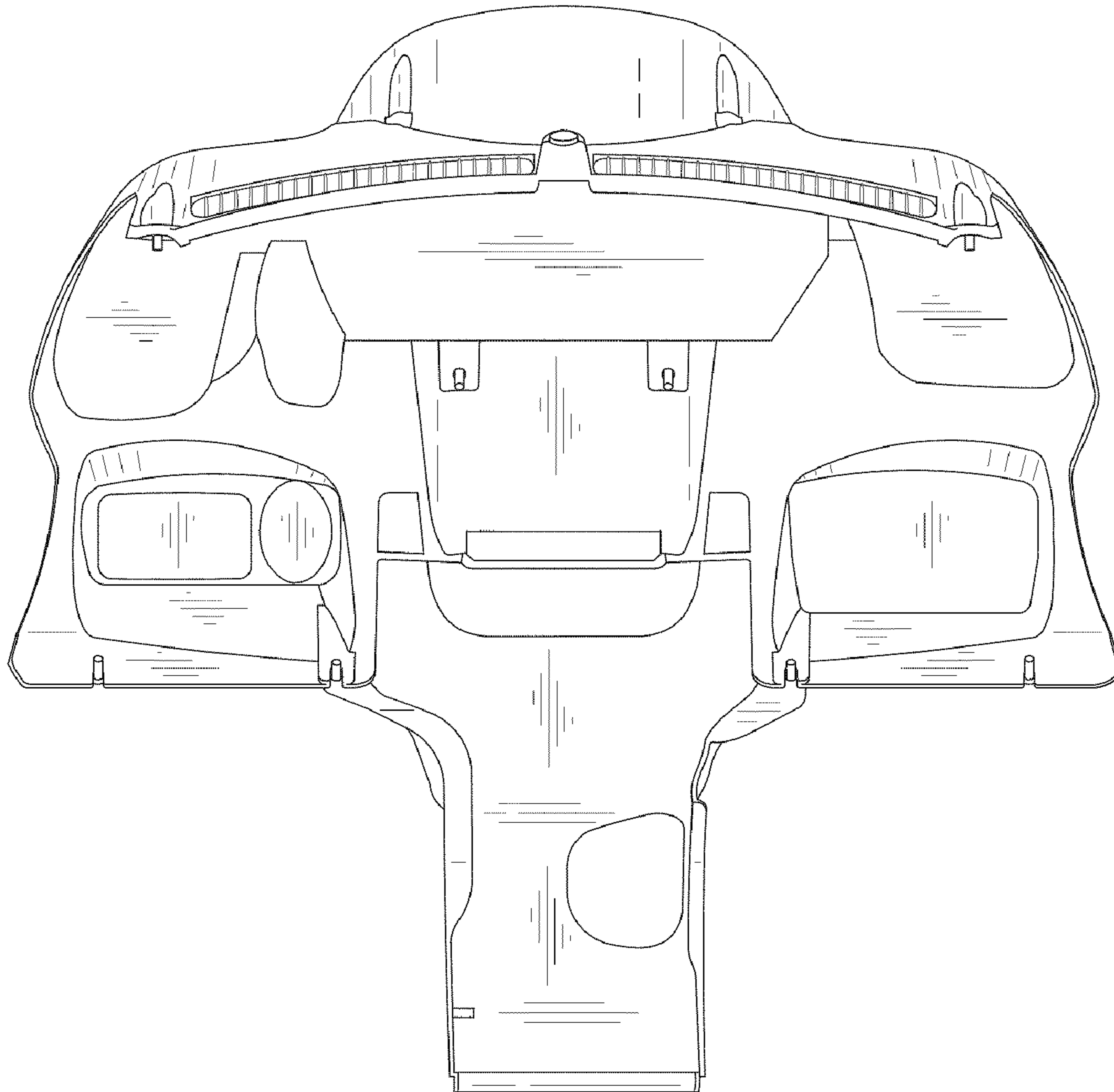


FIG. 3

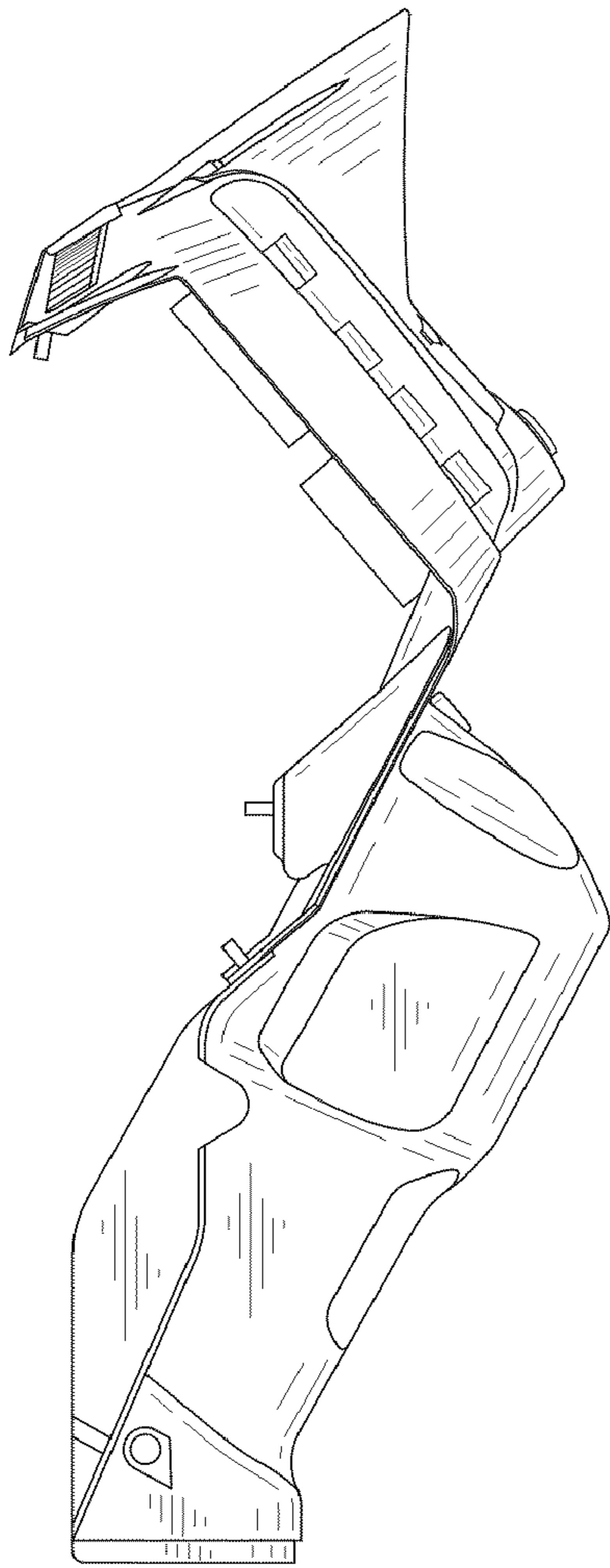


FIG. 4

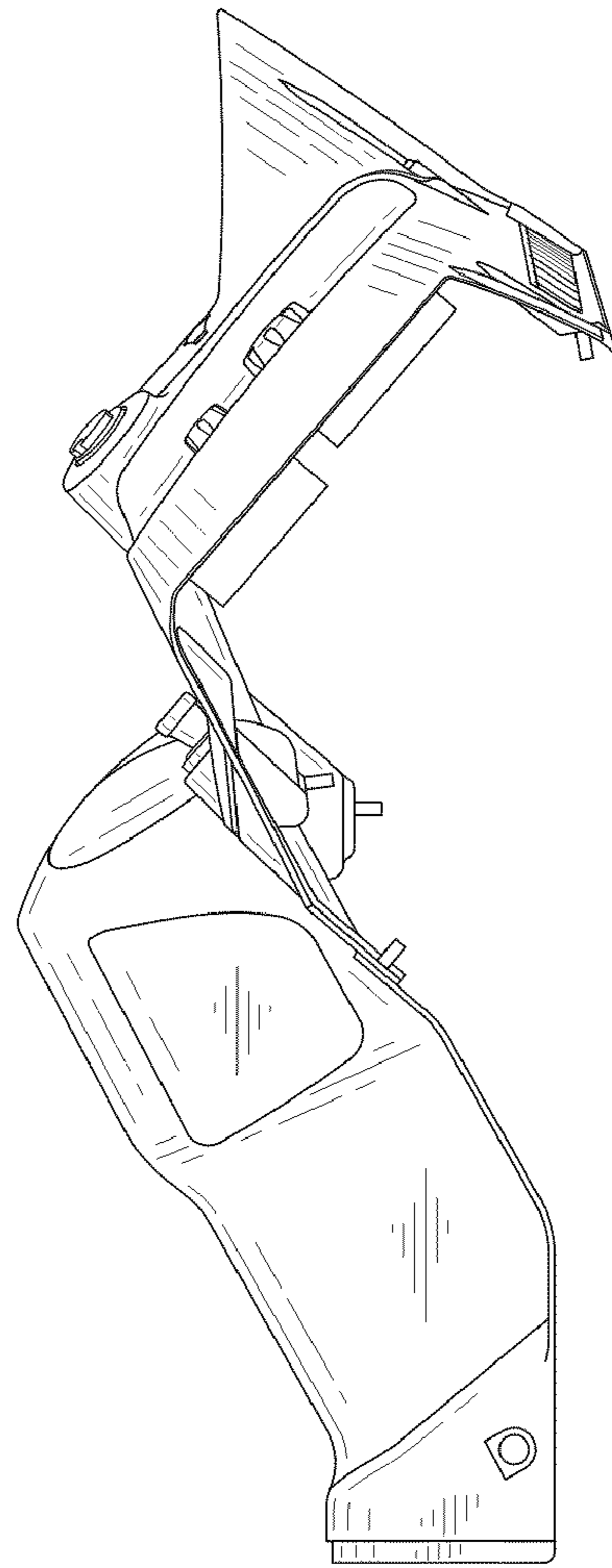


FIG. 5

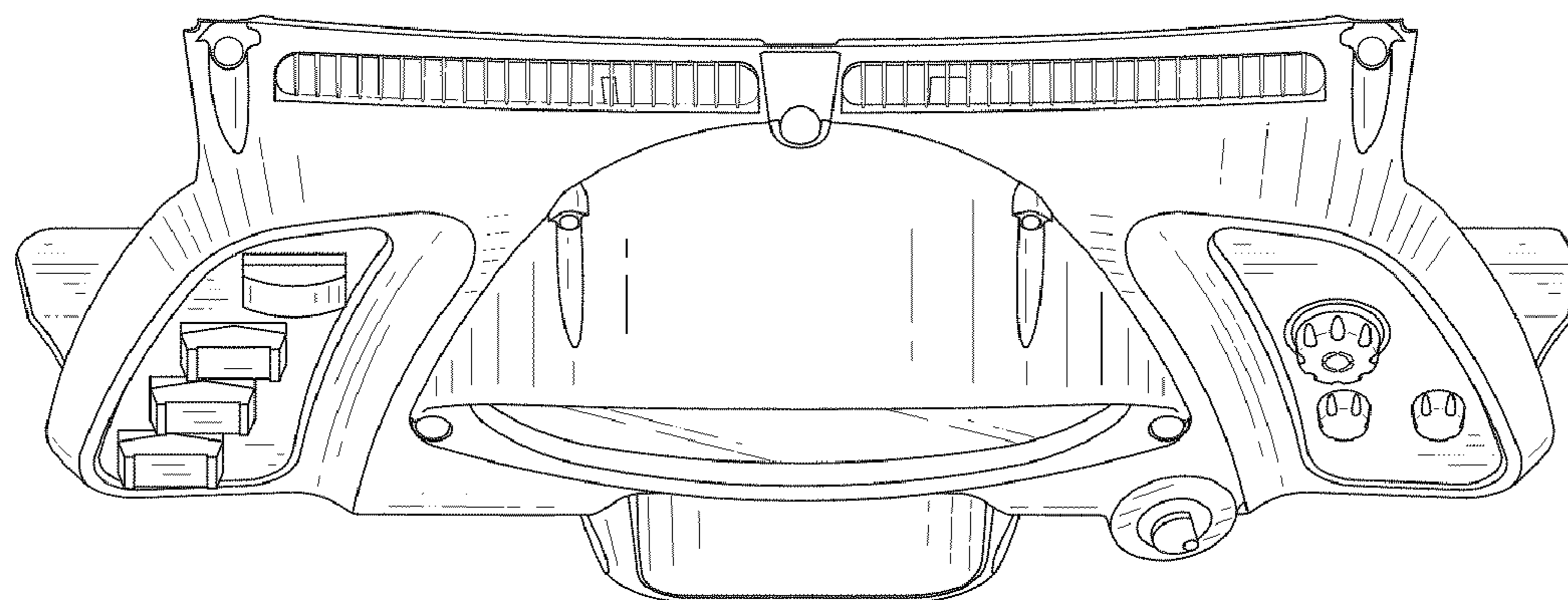


FIG. 6

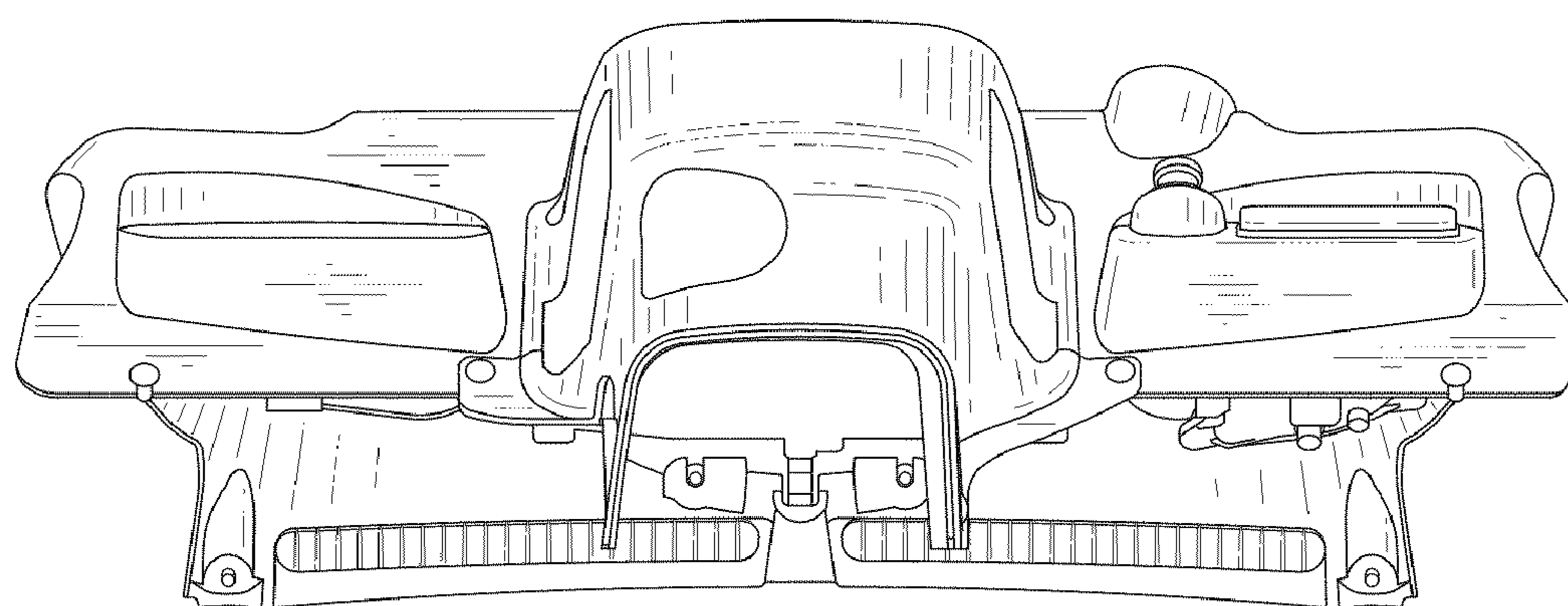


FIG. 7