

US00D652062S

(12) **United States Design Patent**  
**Hiraoka et al.**

(10) **Patent No.:** **US D652,062 S**  
(45) **Date of Patent:** **\*\* Jan. 10, 2012**

(54) **WHEEL LOADER**

(75) Inventors: **Kazuhiko Hiraoka**, Tokyo (JP); **Jujitsu Murota**, Kasumigaura (JP); **Hirofumi Oouchi**, Ryugasaki (JP); **Katsuhiko Tokuda**, Kakogawa (JP); **Mikio Hara**, Kobe (JP); **Keisuke Kobayashi**, Kakogawa (JP); **Tsutomu Aoki**, Kakogawa (JP)

(73) Assignees: **Hitachi Construction Machinery Co., Ltd.**, Tokyo (JP); **KCM Corporation**, Hyogo (JP)

(\*\*) Term: **14 Years**

(21) Appl. No.: **29/396,133**

(22) Filed: **Jun. 27, 2011**

(30) **Foreign Application Priority Data**

Dec. 27, 2010 (JP) ..... 2010-031104

(51) **LOC (9) Cl.** ..... **12-09**

(52) **U.S. Cl.** ..... **D15/23**

(58) **Field of Classification Search** ..... D15/10,  
D15/22-26, 33; D21/431; 37/403, 409,  
37/442, 443; 180/89.1, 89.12, 89.13; 296/190.03;  
414/685, 694, 722, 724

See application file for complete search history.

(56) **References Cited**

U.S. PATENT DOCUMENTS

D226,707	S	*	4/1973	Skyer et al.	.....	D15/25
D326,858	S	*	6/1992	Skeel et al.	.....	D15/25
D364,408	S	*	11/1995	Bryant et al.	.....	D15/25
D405,807	S	*	2/1999	Amy et al.	.....	D15/25
D410,930	S	*	6/1999	Kim et al.	.....	D15/25
D540,352	S	*	4/2007	Sato et al.	.....	D15/25
D549,738	S		8/2007	Hiraoka et al.		
D590,846	S	*	4/2009	Kinsinger et al.	.....	D15/25
D636,000	S	*	4/2011	Kim et al.	.....	D15/25

\* cited by examiner

*Primary Examiner* — Mark Goodwin

(74) *Attorney, Agent, or Firm* — Antonelli, Terry, Stout & Kraus, LLP.

(57) **CLAIM**

The ornamental design for a wheel loader, as shown and described.

**DESCRIPTION**

FIG. 1 is a perspective view of a wheel loader showing our new design;

FIG. 2 is a front view thereof;

FIG. 3 is a rear side view thereof;

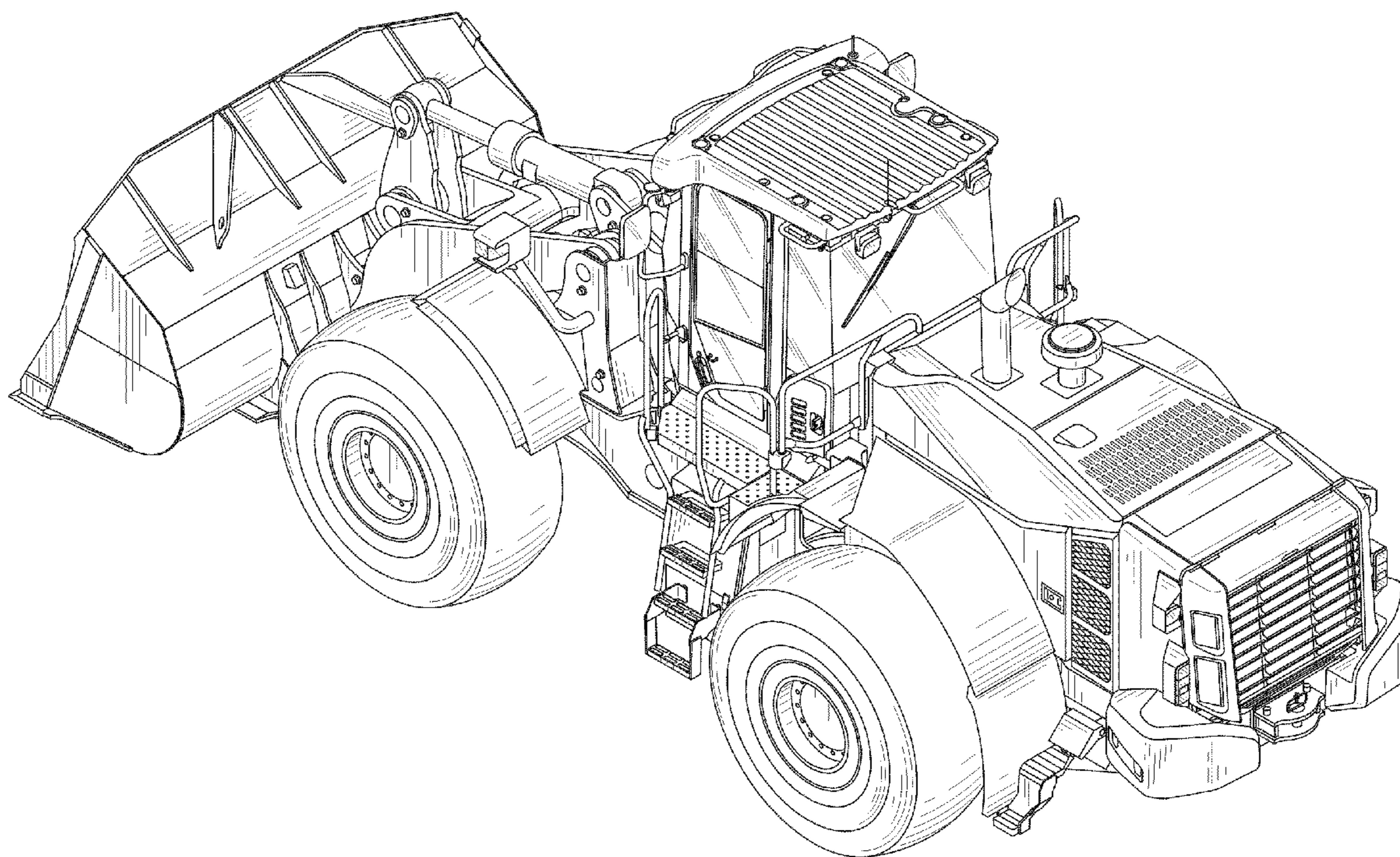
FIG. 4 is a left side view thereof;

FIG. 5 is a right side view thereof;

FIG. 6 is a top plan view thereof; and,

FIG. 7 is a bottom view thereof.

**1 Claim, 6 Drawing Sheets**



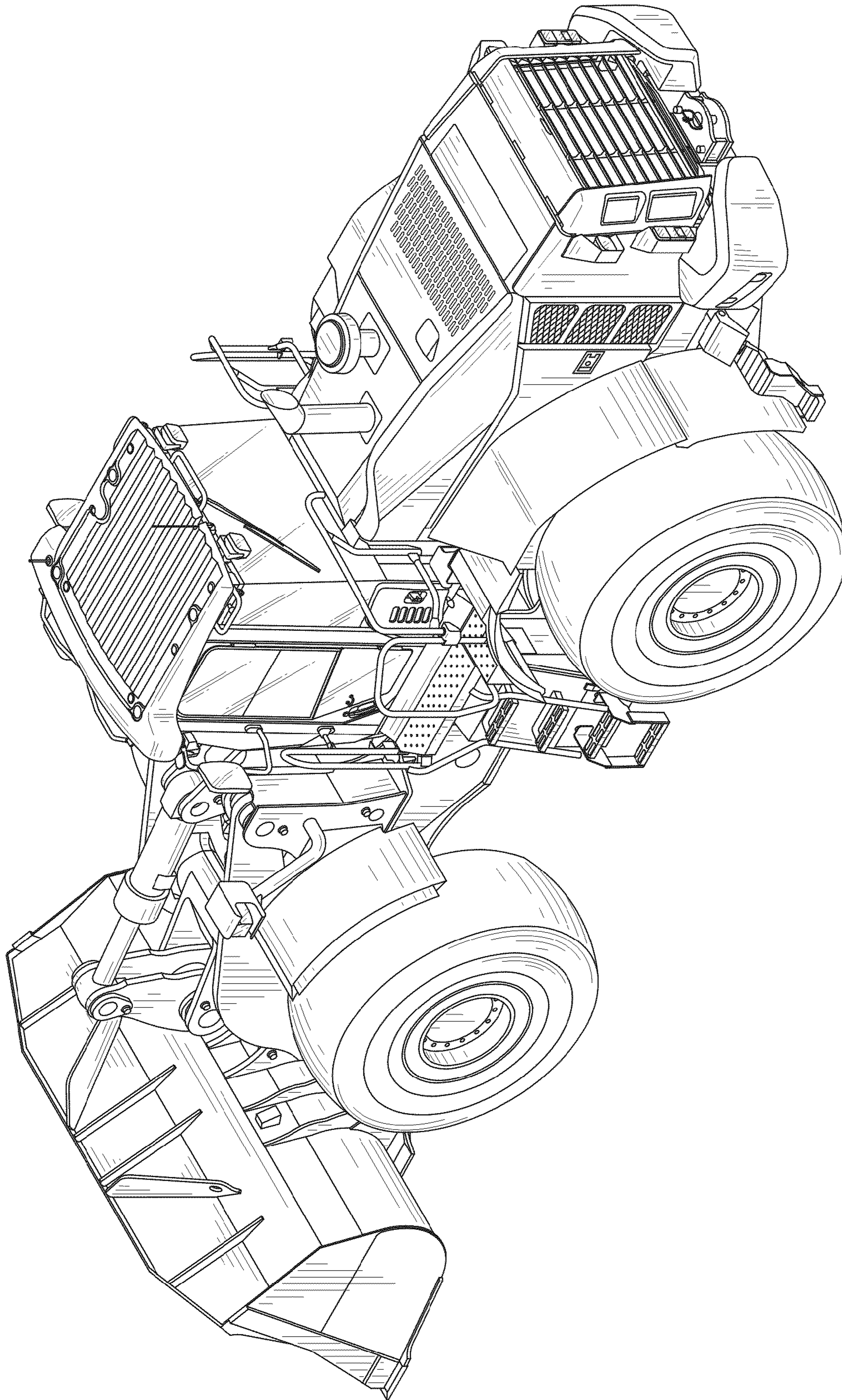


FIG. 1

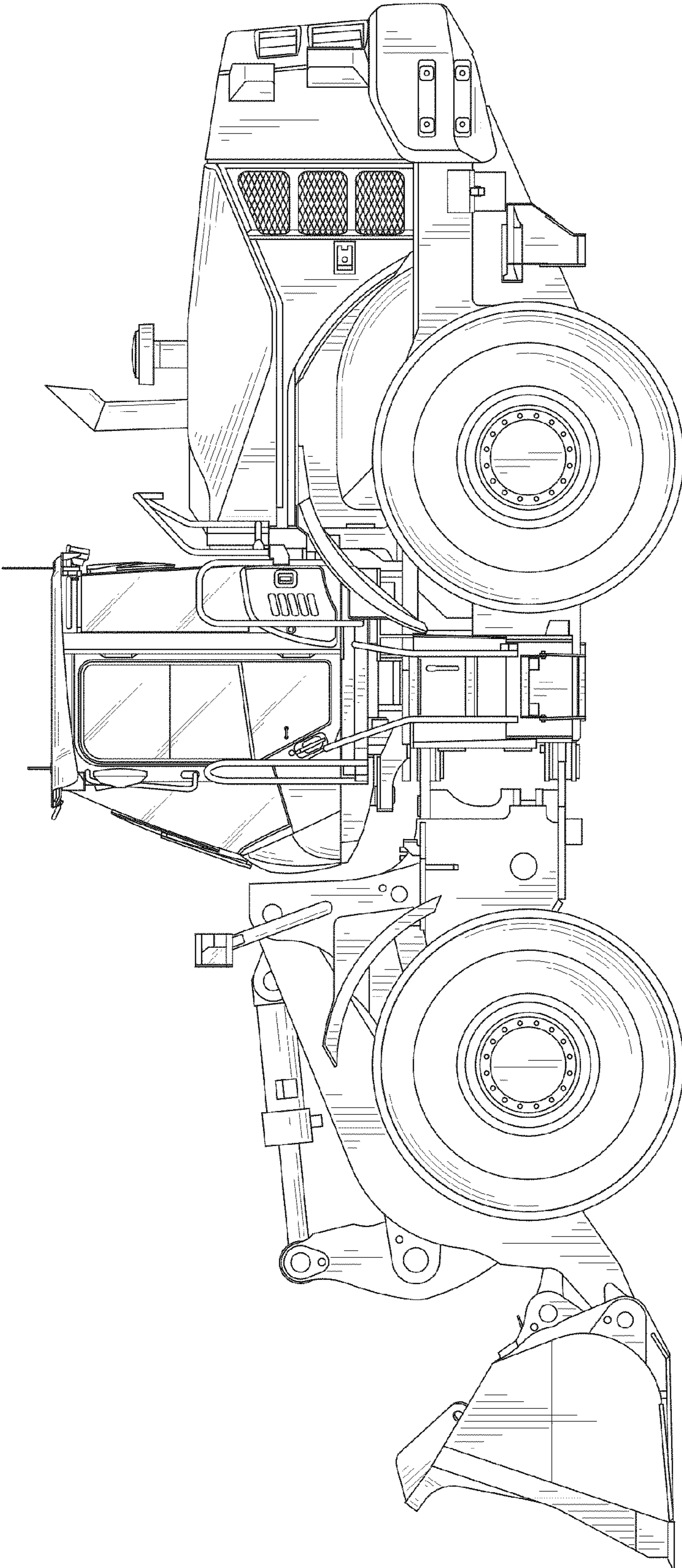


FIG. 2

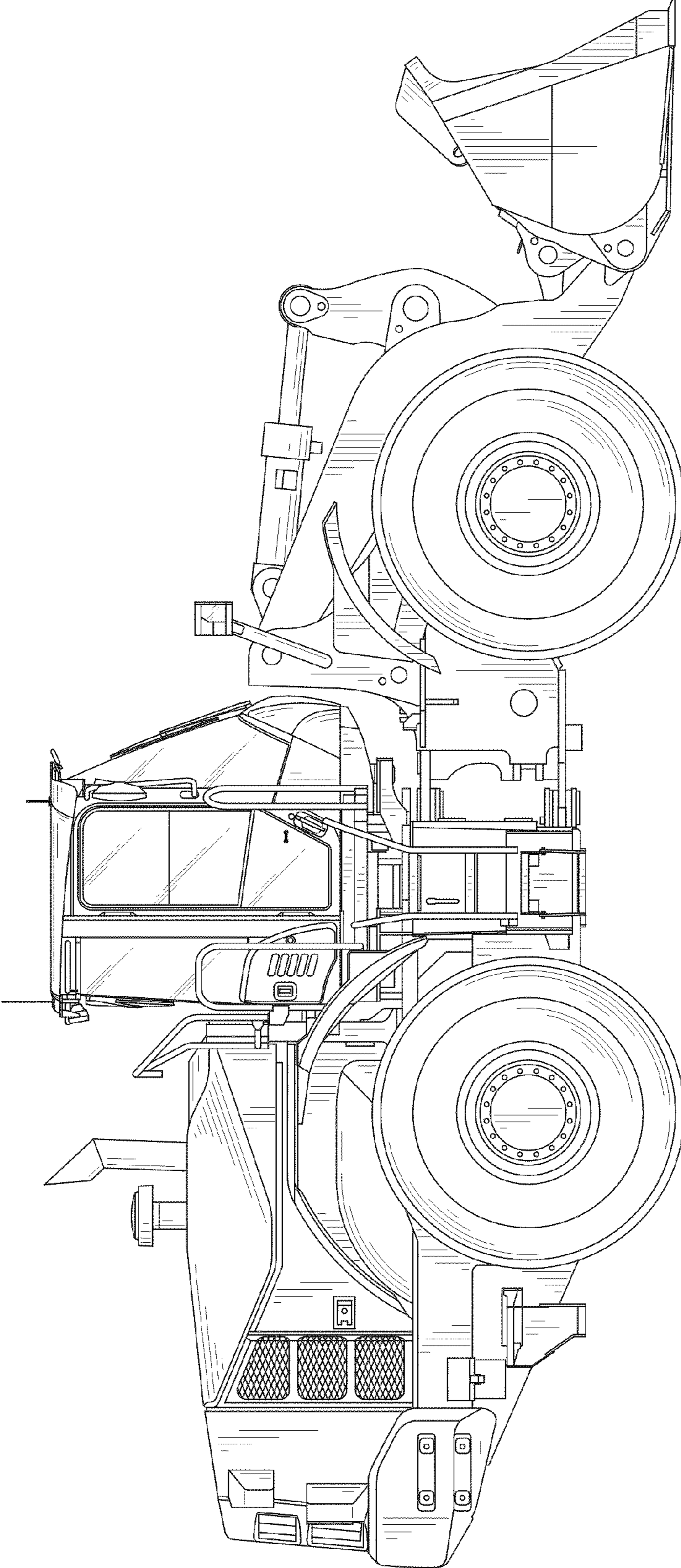


FIG. 3

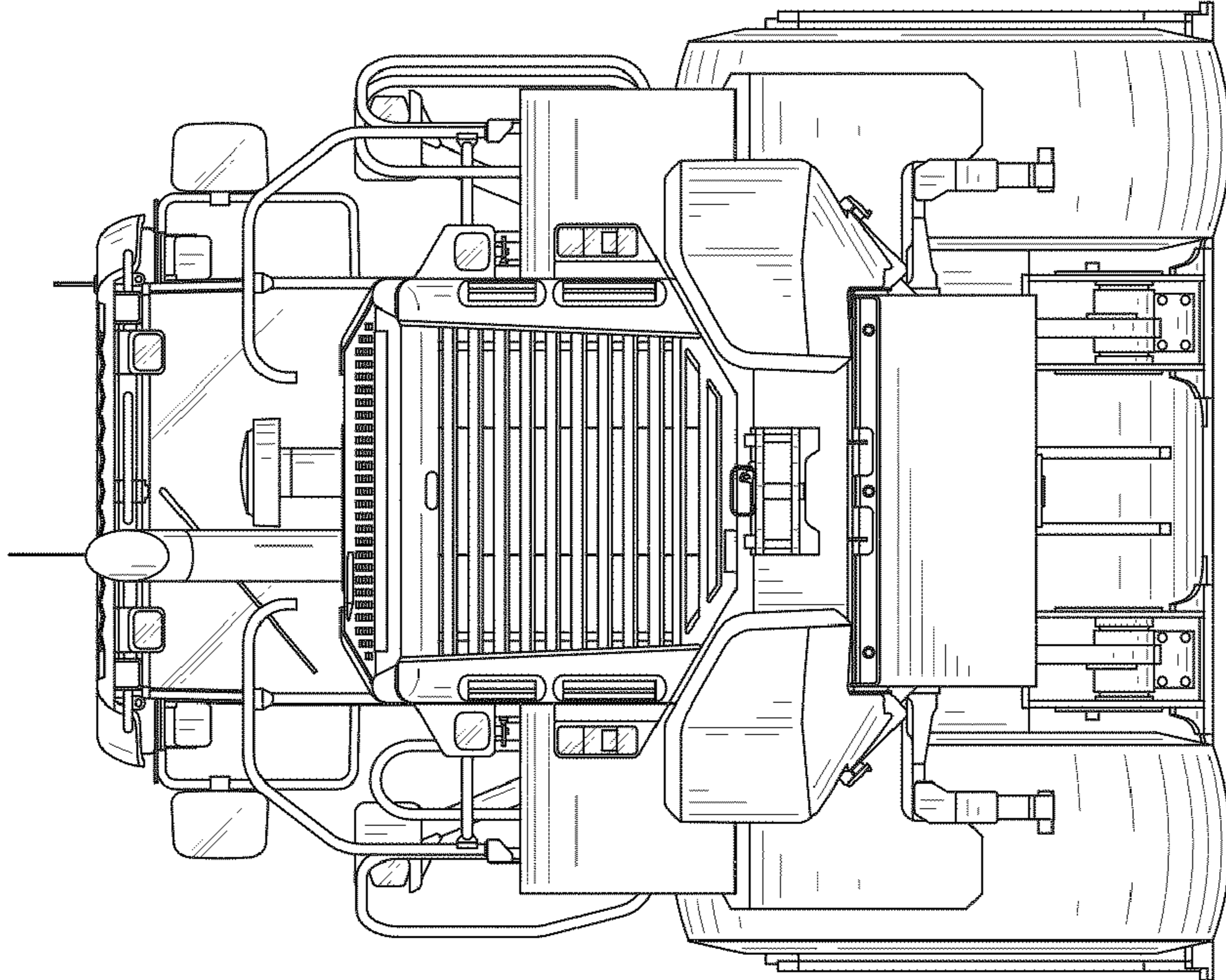


FIG. 5

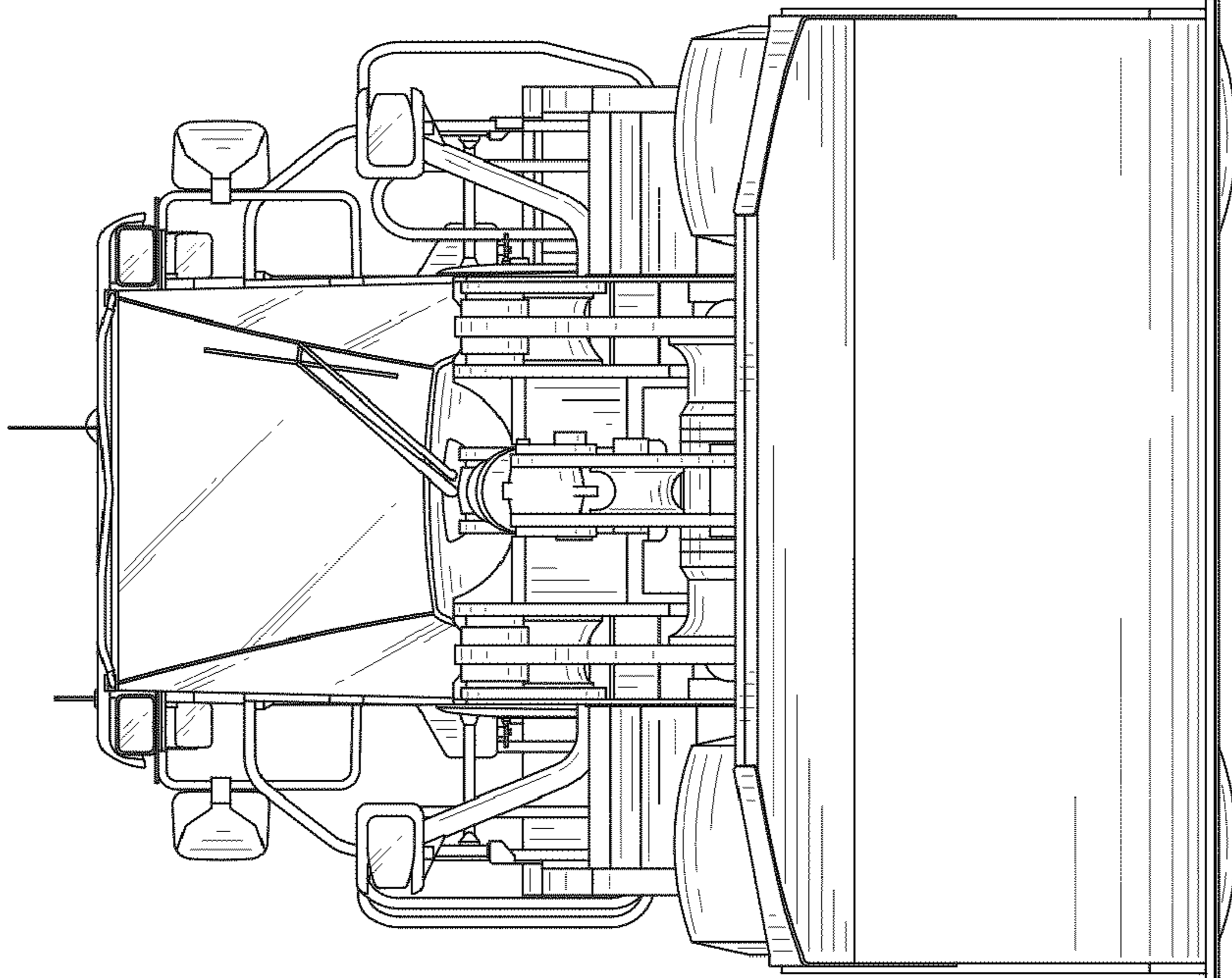


FIG. 4

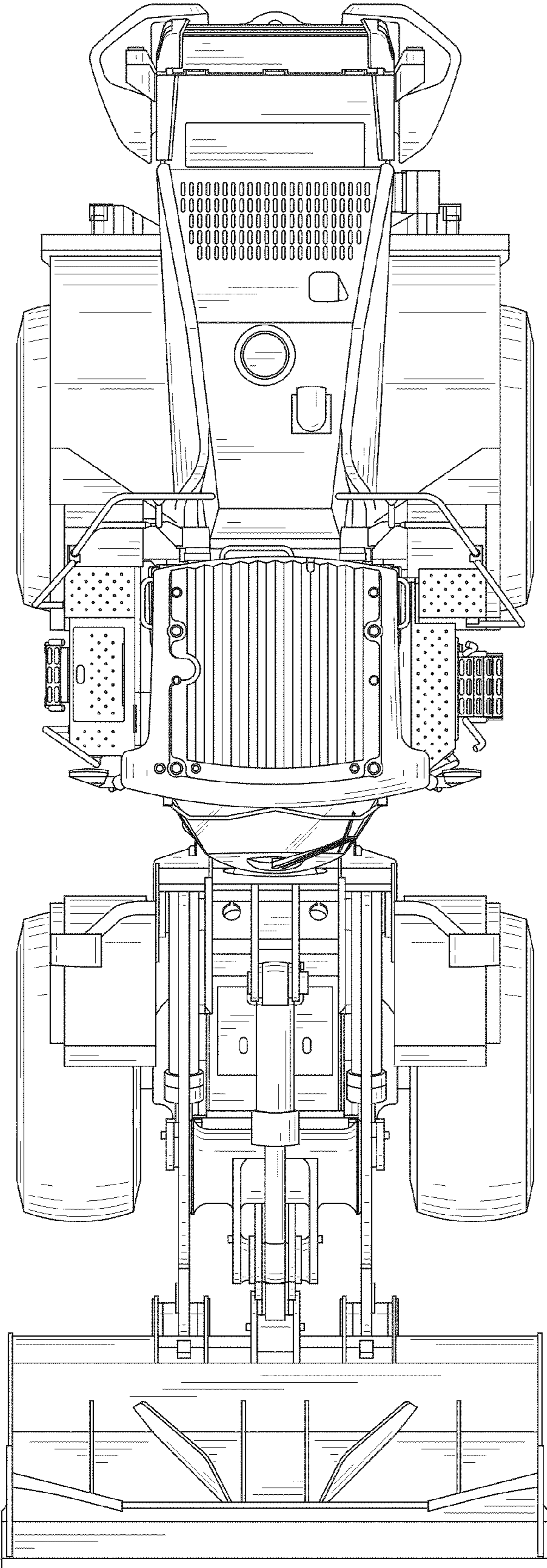


FIG. 6

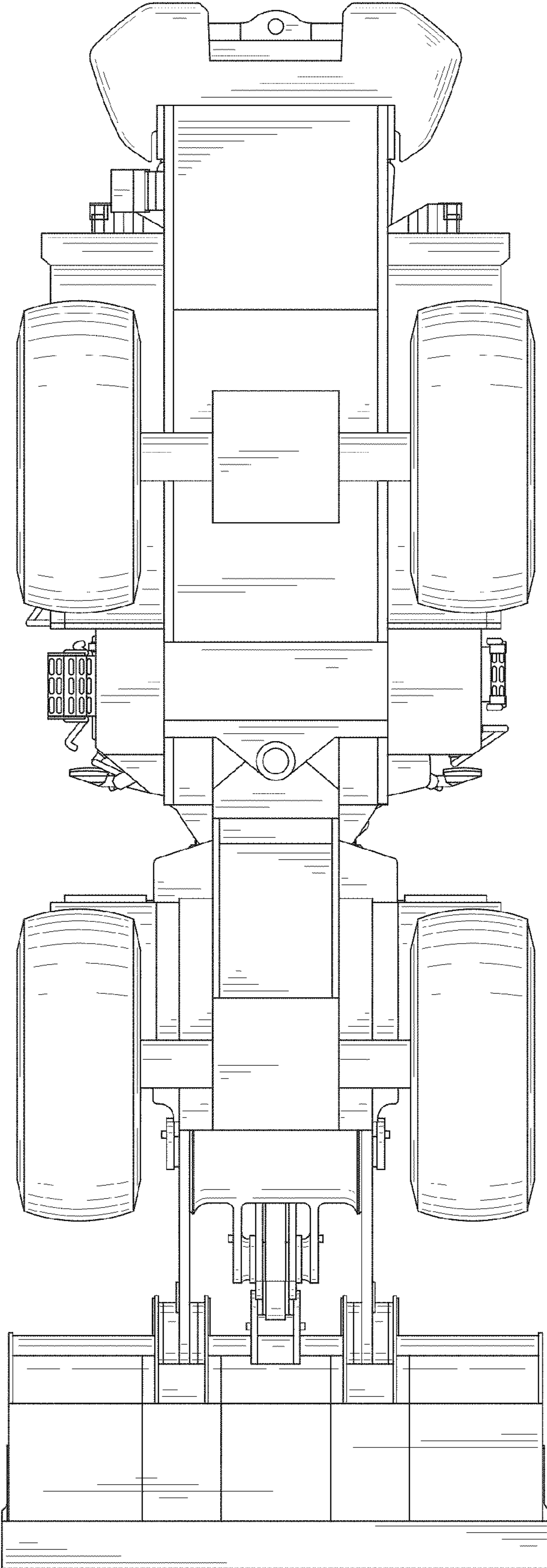


FIG. 7