



US00D652060S

(12) **United States Design Patent**
Elliot

(10) **Patent No.:** **US D652,060 S**

(45) **Date of Patent:** **** Jan. 10, 2012**

(54) **SPREADER**

(75) Inventor: **Colin Elliot**, Fakenham (GB)

(73) Assignee: **GT Bunning & Sons Limited**,
Dereham, Norfolk (GB)

(**) Term: **14 Years**

(21) Appl. No.: **29/397,752**

(22) Filed: **Jul. 20, 2011**

(30) **Foreign Application Priority Data**

Jan. 21, 2011 (GB) 4018480

(51) **LOC (9) Cl.** **15-03**

(52) **U.S. Cl.** **D15/13; D15/27**

(58) **Field of Classification Search** D15/13,
D15/27, 10; 239/146, 176, 661, 671, 672,
239/165

See application file for complete search history.

(56) **References Cited**

U.S. PATENT DOCUMENTS

- 3,105,693 A * 10/1963 Ferris 239/658
- D197,240 S * 12/1963 Tyler D15/13
- 4,438,873 A * 3/1984 Kaercher, Jr. 222/616
- 4,473,184 A * 9/1984 Martin 239/7

- D296,789 S * 7/1988 Larsson D15/13
- 5,108,038 A * 4/1992 Palladino et al. 239/661
- 5,501,403 A * 3/1996 van Vooren 239/662
- 5,501,404 A * 3/1996 Meyer et al. 239/676
- D402,670 S * 12/1998 Becker D15/13
- 6,149,079 A * 11/2000 Kinkead et al. 239/668
- D632,311 S * 2/2011 Labbe et al. D15/27
- 2005/0184174 A1 * 8/2005 Bailey et al. 239/672

* cited by examiner

Primary Examiner — Mark Goodwin

(74) *Attorney, Agent, or Firm* — Galgano & Associates;
Thomas M. Galgano; Jessica G. Bower

(57) **CLAIM**

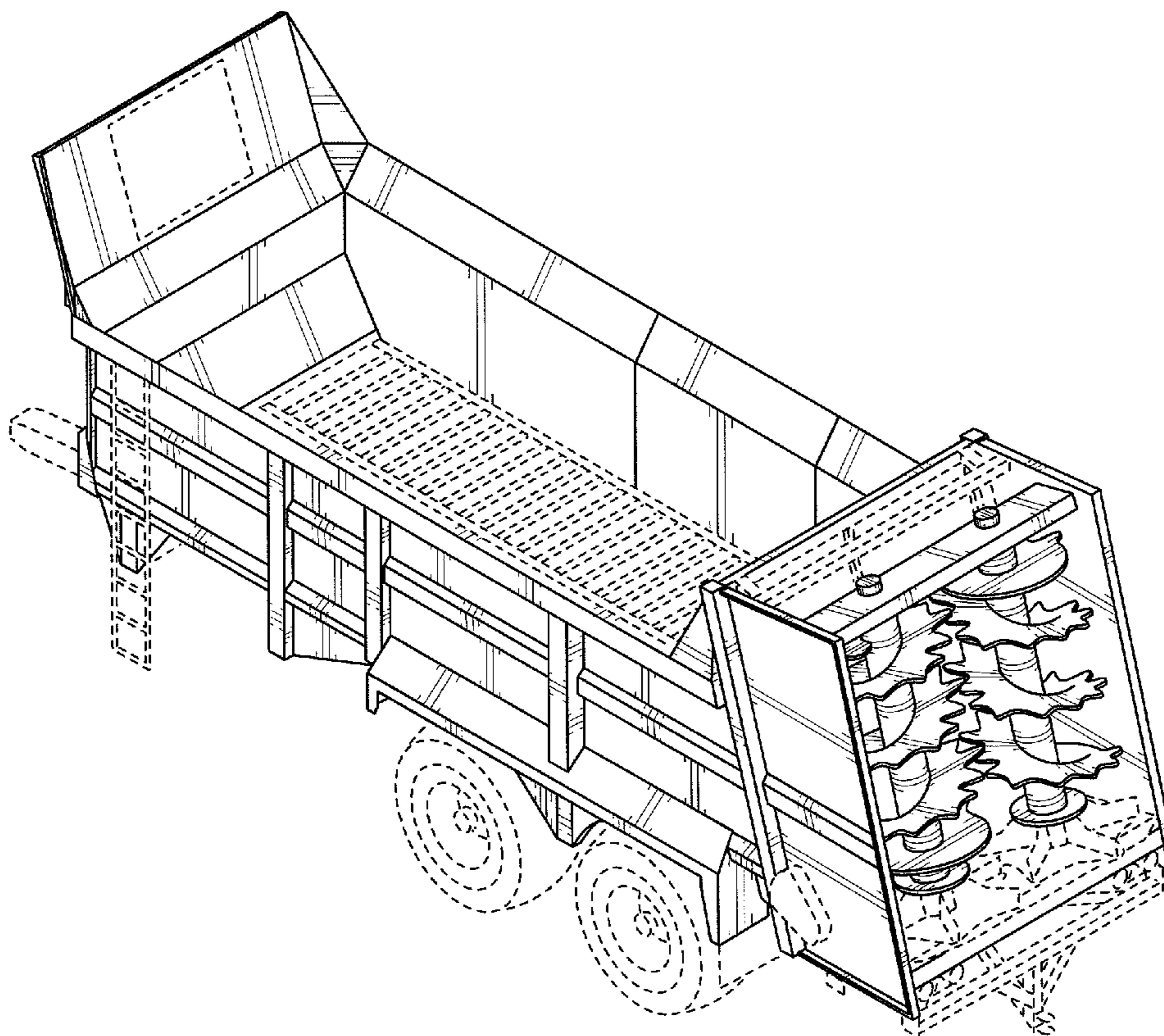
The ornamental design for a spreader, as shown and described.

DESCRIPTION

FIG. 1 is a rear and side perspective view of the spreader, showing my new design;
 FIG. 2 is a right side view thereof;
 FIG. 3 is a left side view thereof;
 FIG. 4 is a front elevational view thereof;
 FIG. 5 is a rear elevational view thereof; and,
 FIG. 6 is a top plan view thereof.

The broken line showing of surface and mechanical features is included for the purpose of illustrating portions of the spreader and forms no part of the claimed design.

1 Claim, 5 Drawing Sheets



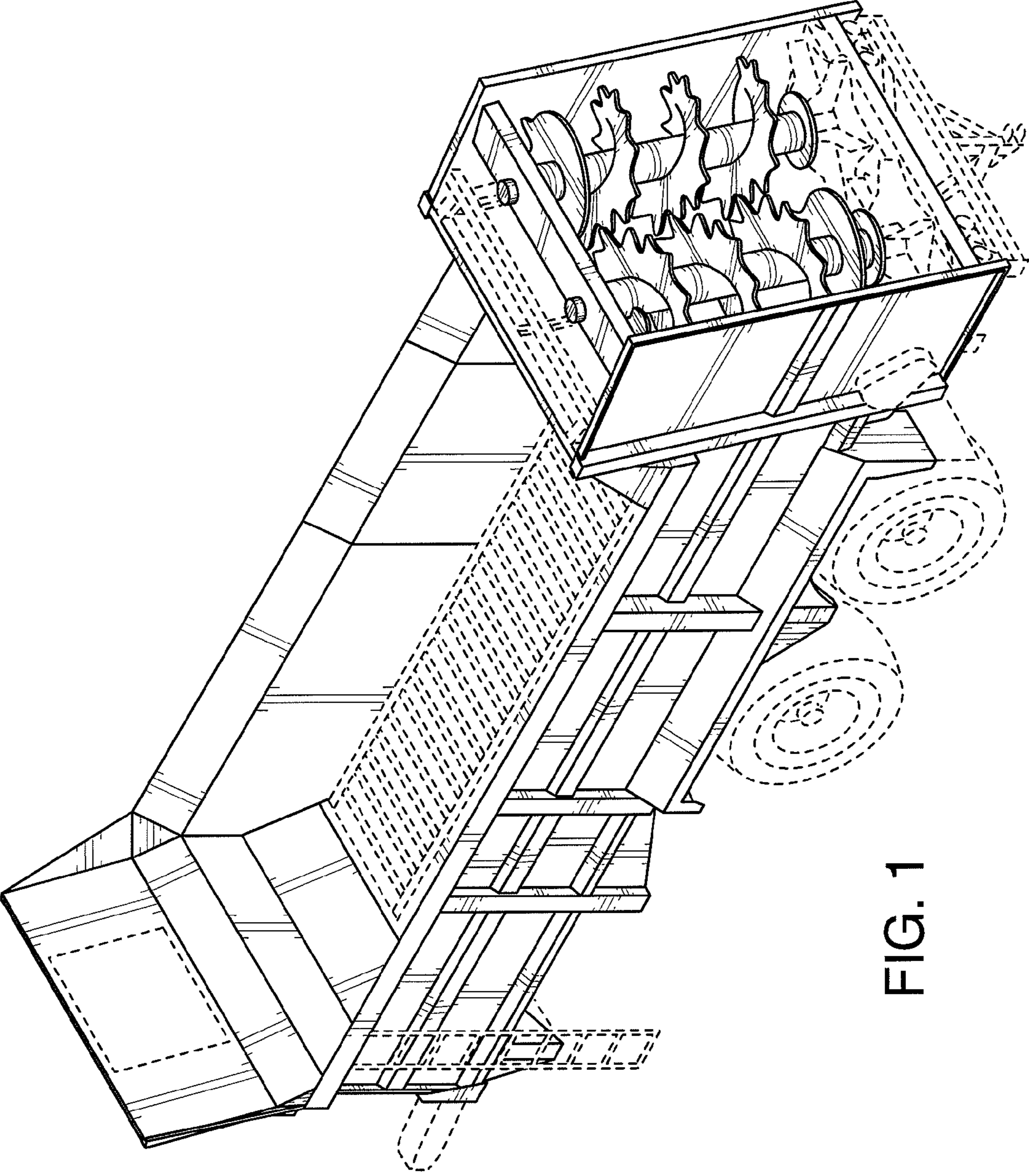


FIG. 1

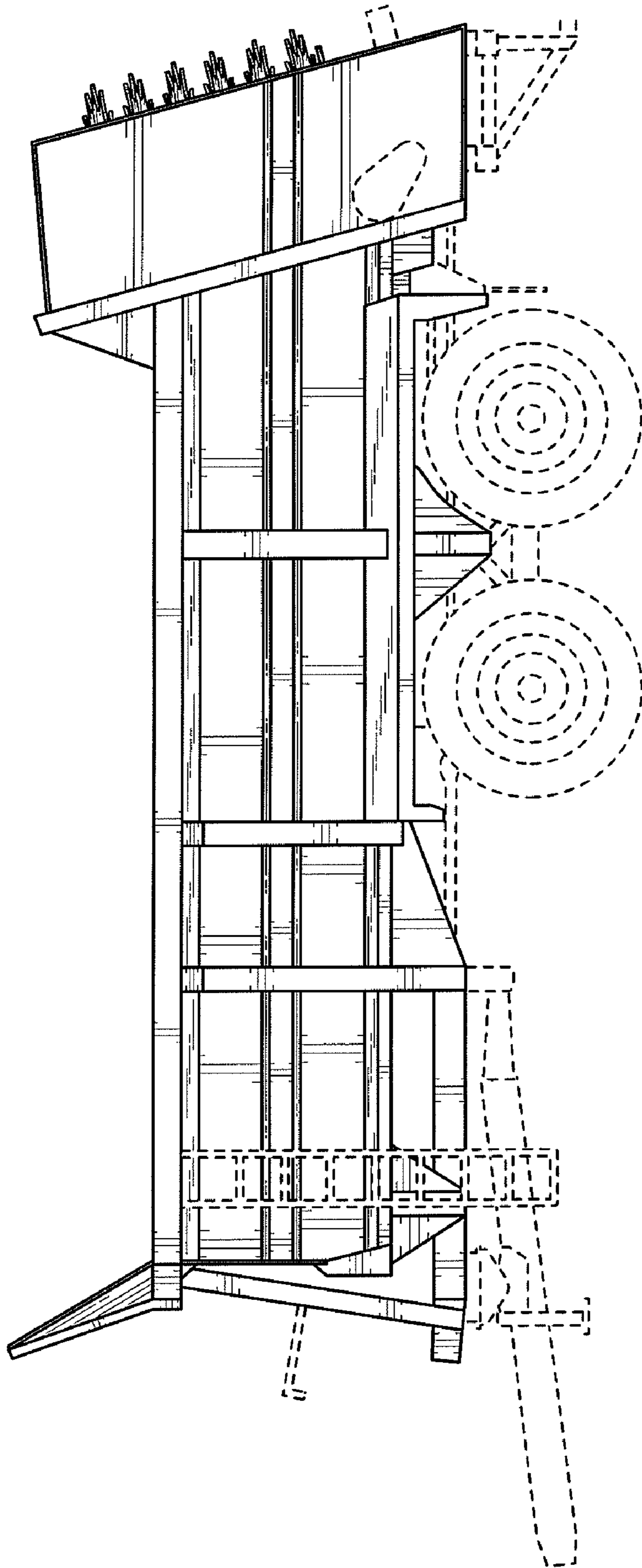


FIG. 2

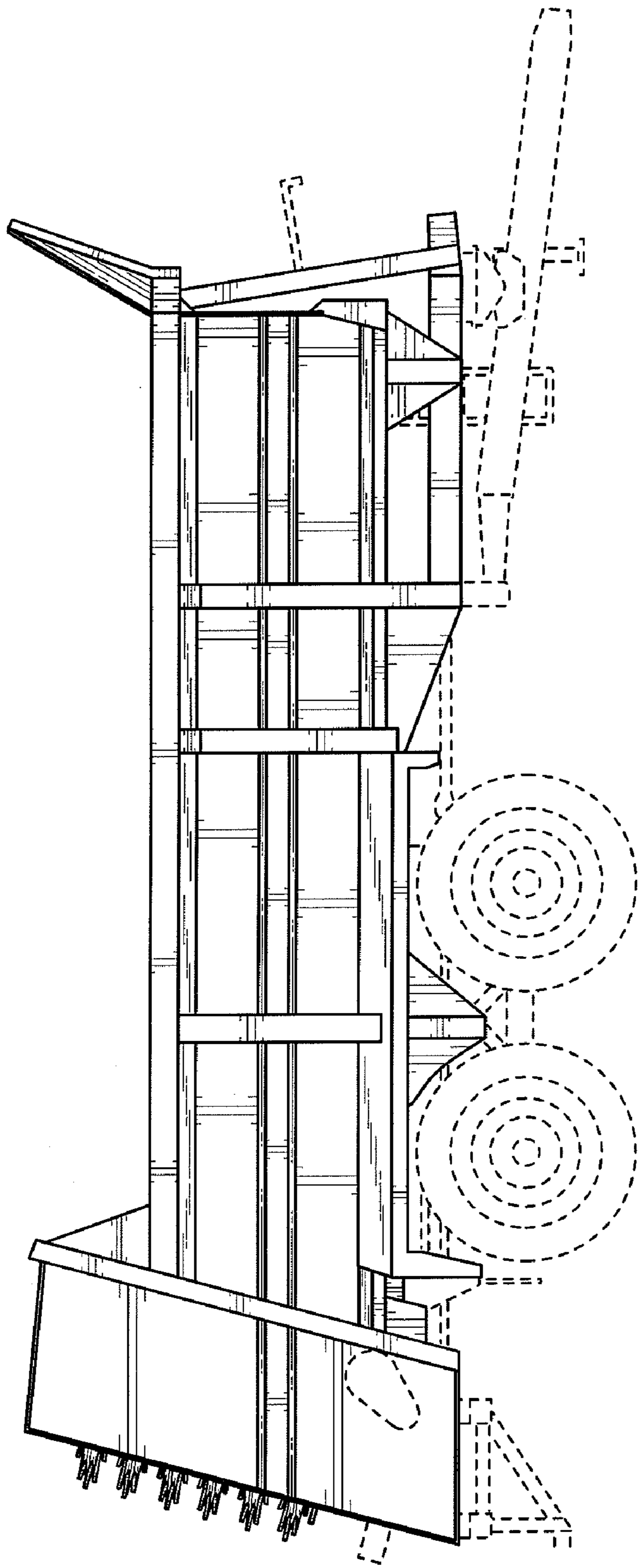


FIG. 3

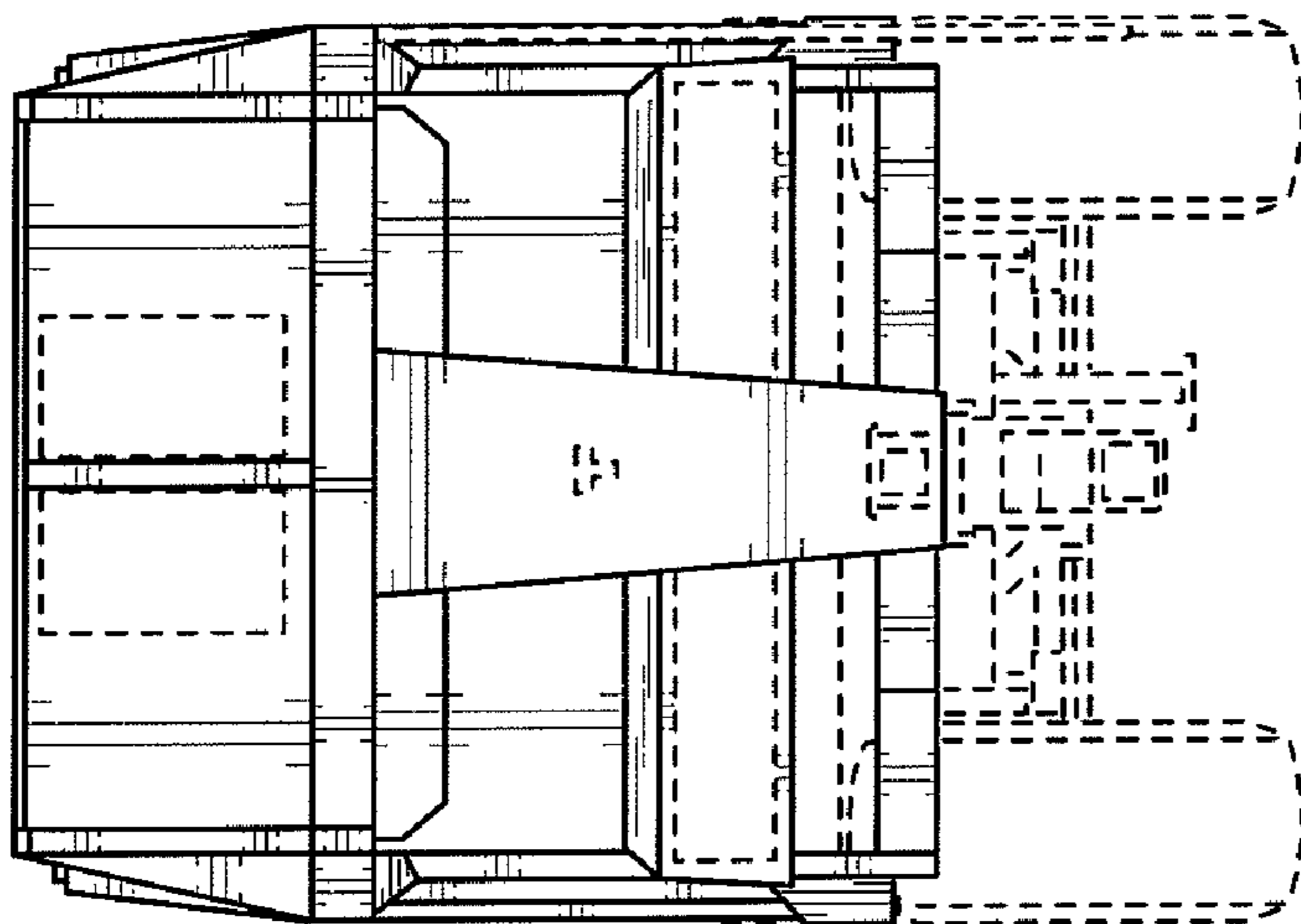


FIG. 4

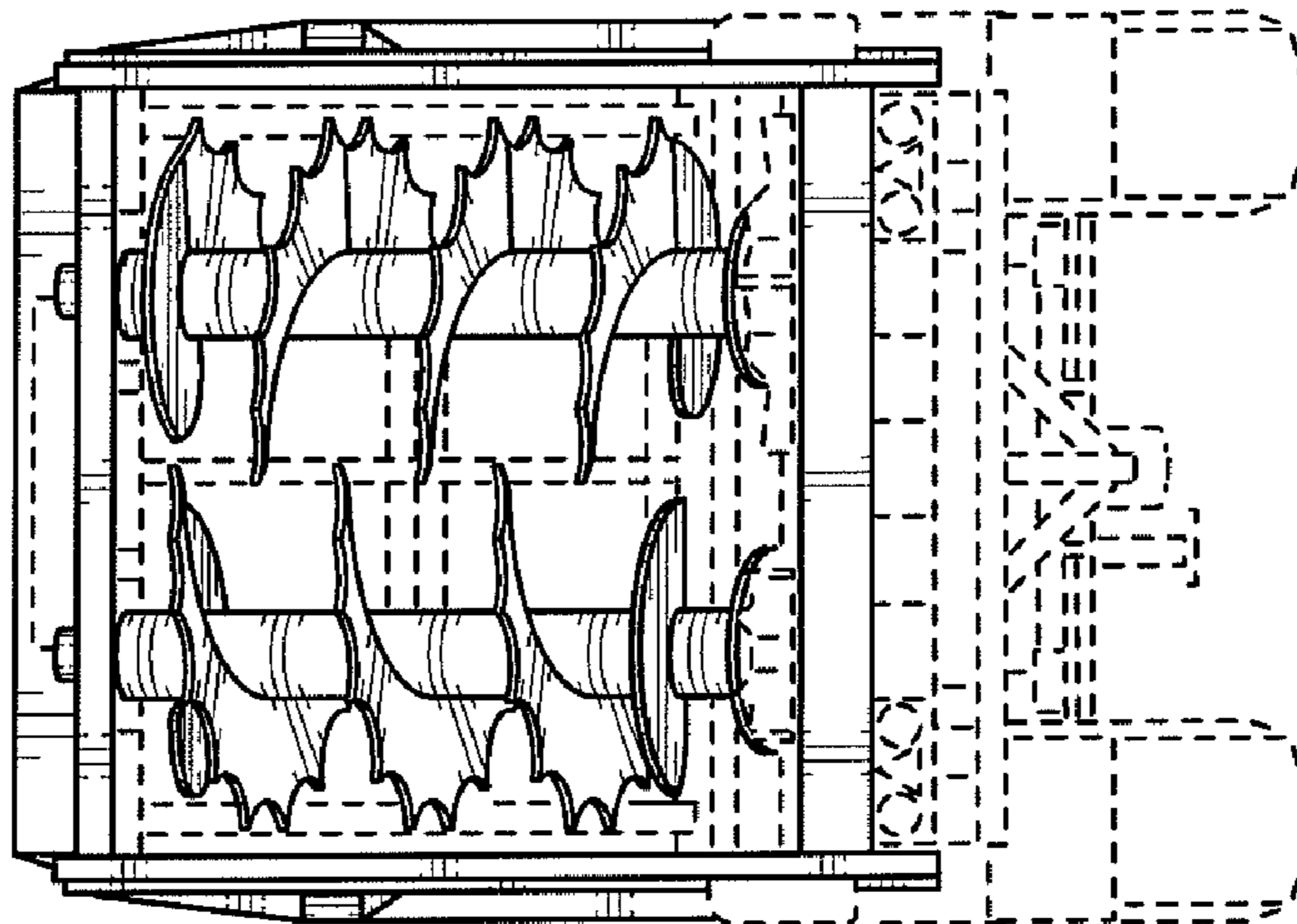


FIG. 5

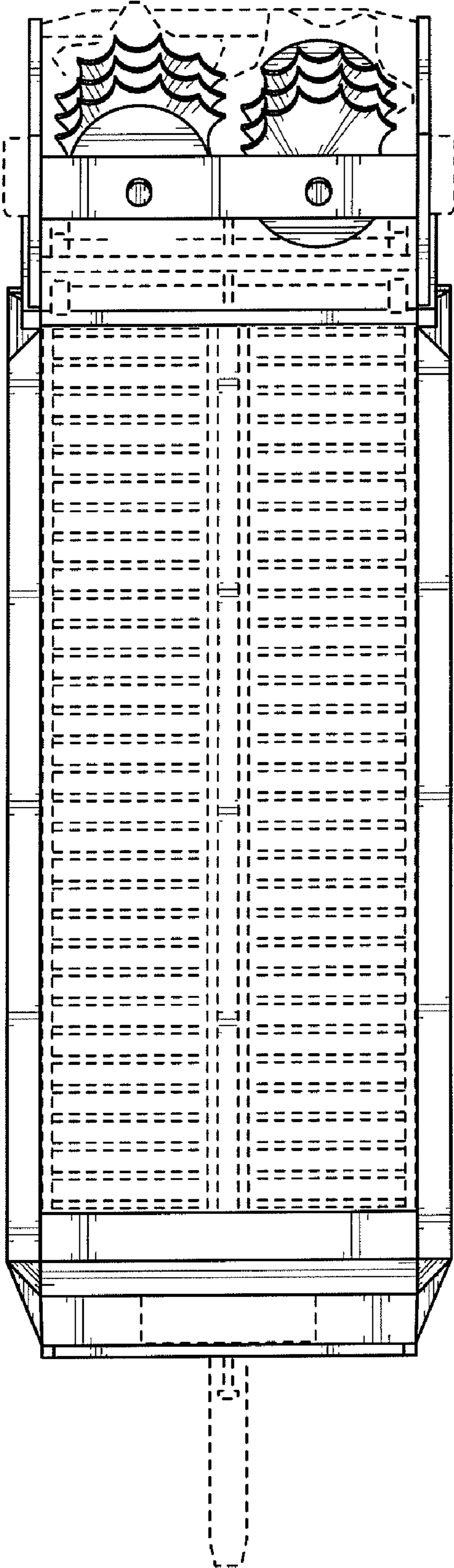


FIG. 6