



US00D652046S

(12) **United States Design Patent**
Belan

(10) **Patent No.:** **US D652,046 S**
(45) **Date of Patent:** **** Jan. 10, 2012**

(54) **USB DRIVE WITH A LABEL**

(75) Inventor: **Jerome Andre Charles Belan**, Ludon Medoc (FR)

(73) Assignee: **PNY Technologies, Inc.**, Parsippany, NJ (US)

(**) Term: **14 Years**

(21) Appl. No.: **29/365,924**

(22) Filed: **Jul. 16, 2010**

(51) **LOC (9) Cl.** **14-02**

(52) **U.S. Cl.** **D14/480.6**

(58) **Field of Classification Search** D14/411, D14/433, 435.1, 436, 480.1–480.7, 484.1, D14/137, 155, 203.1–203.8, 240; D3/201, D3/273; D13/107, 108, 133, 154, 184; 710/300, 710/301; 439/131, 135–147; 361/379.31, 361/679.33, 679.4, 752; 711/100, 115
See application file for complete search history.

(56) **References Cited**

U.S. PATENT DOCUMENTS

4,585,254	A	4/1986	Adams	
4,784,408	A	11/1988	Yasuda	
5,437,477	A	8/1995	Olivera et al.	
5,806,222	A	9/1998	Shaffer	
D444,788	S *	7/2001	Do et al.	D14/480.6
6,360,466	B1	3/2002	Thomas, III	
D463,426	S *	9/2002	Cheng	D14/480.1
6,480,390	B2	11/2002	Matsumiya et al.	
6,612,853	B2	9/2003	Wu	
6,743,030	B2	6/2004	Lin et al.	
6,763,410	B2	7/2004	Yu	
6,877,994	B2	4/2005	Huang	
6,880,054	B2	4/2005	Cheng et al.	
6,890,188	B1	5/2005	Le	
6,894,865	B2	5/2005	Chang et al.	
6,908,038	B1	6/2005	Le	
6,926,544	B2 *	8/2005	Lee	439/147

6,932,629 B2 8/2005 Ikenoue
6,963,468 B2 11/2005 Chang et al.
6,979,210 B2 12/2005 Regen et al.

(Continued)

FOREIGN PATENT DOCUMENTS

CN ZL20093018478.9 5/2010

(Continued)

OTHER PUBLICATIONS

10 Stupid and/or Cool USB Flash Drives : EveryJoe—Sports News—Tech Reviews—Entertainment—Life Tips for EveryJoe, [online] posted on May 5, 2009 [retrieved on Nov. 2, 2009]. Retrieved from the Internet <URL: <http://everyjoe.com/technology/10-stupid-andor-cool-usb-flash-drives/>>.*

(Continued)

Primary Examiner — Karen E Kearney

(74) *Attorney, Agent, or Firm* — McCarter & English, LLP

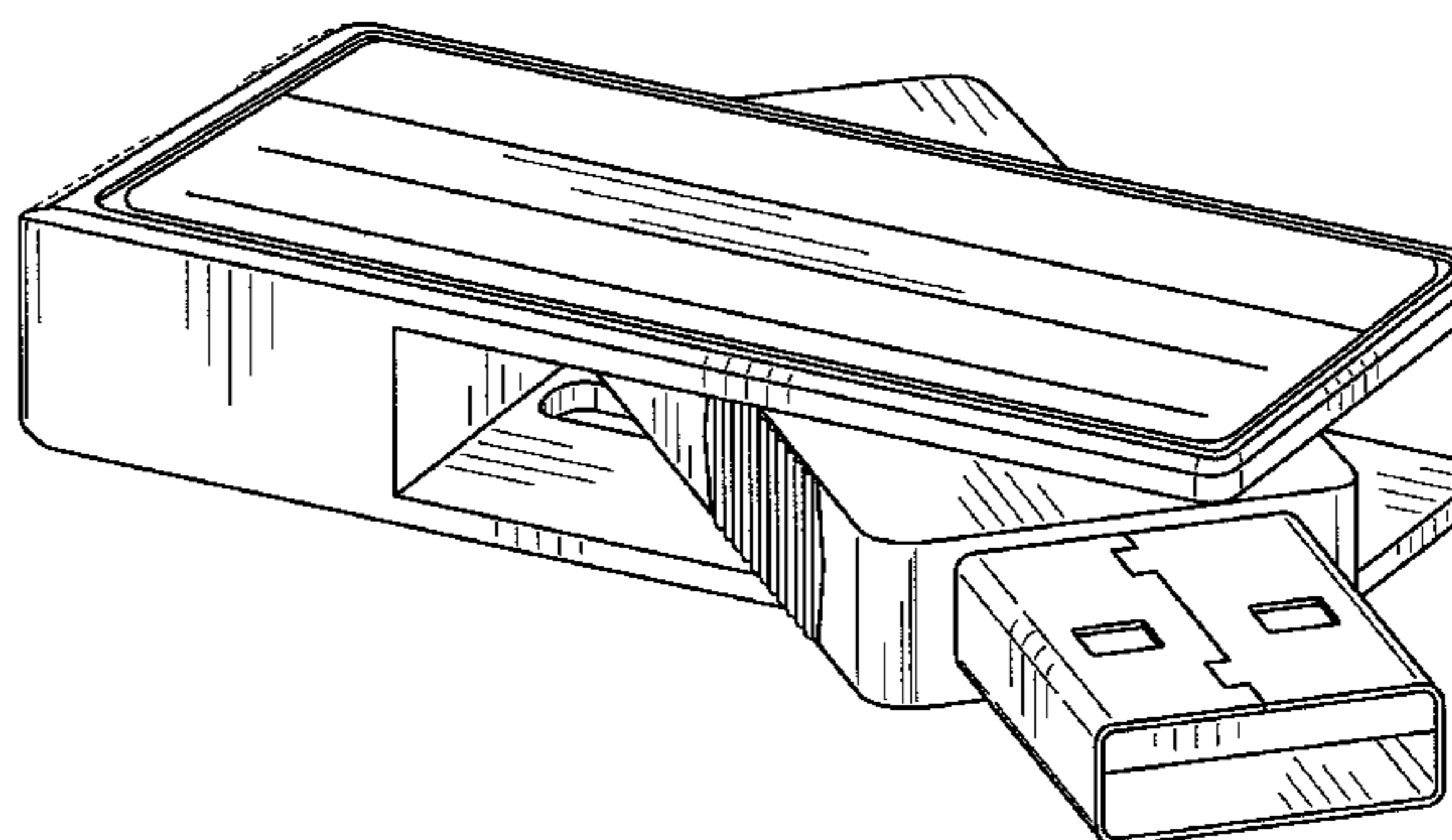
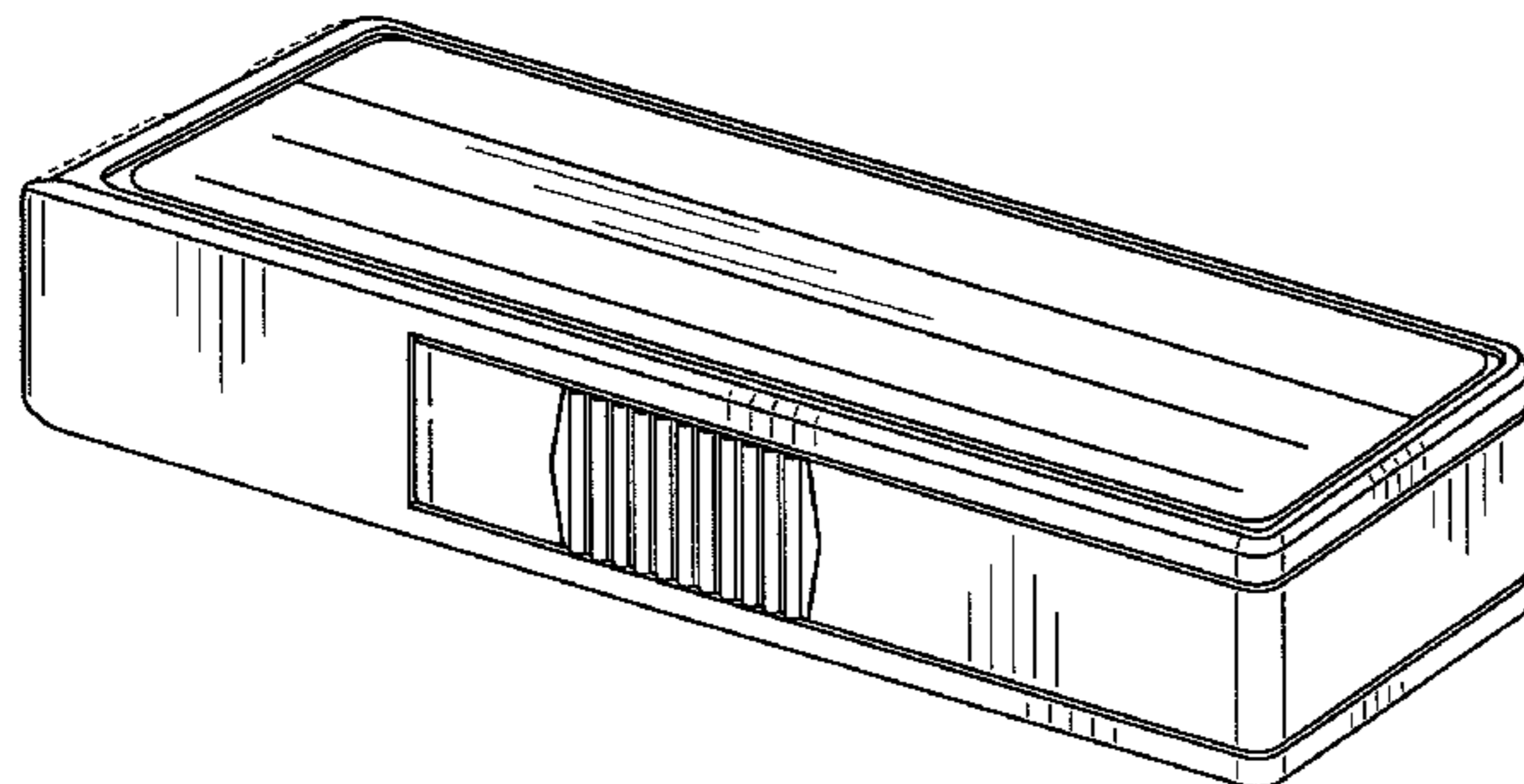
(57) **CLAIM**

The ornamental design for a USB drive with a label, as shown.

DESCRIPTION

FIG. 1 is a perspective view of a USB drive with a label showing my new design;
FIG. 2 is a front side view thereof;
FIG. 3 is a rear side view thereof;
FIG. 4 is a left side view thereof;
FIG. 5 is a right side view thereof;
FIG. 6 is a top view thereof;
FIG. 7 is a bottom view thereof;
FIG. 8 is a perspective view of the drive depicted in FIG. 1, the drive being shown in a closed position; and,
FIG. 9 is a perspective view of the drive depicted in FIG. 1, a connector being shown in a rotated position.
The broken lines are used for environmental purposes only and form no part of the claimed design.

1 Claim, 5 Drawing Sheets



U.S. PATENT DOCUMENTS

7,004,780	B1	2/2006	Wang	
7,025,275	B2	4/2006	Huang et al.	
D520,995	S *	5/2006	Chang	D14/480.6
7,039,759	B2	5/2006	Cheng et al.	
D524,814	S	7/2006	Kent et al.	
7,070,425	B2	7/2006	Regen et al.	
7,082,483	B2	7/2006	Poo	
7,090,515	B2	8/2006	Regen et al.	
7,092,256	B1	8/2006	Salazar et al.	
7,146,667	B2	12/2006	Elsener	
7,264,992	B2	9/2007	Hsueh et al.	
7,269,004	B1	9/2007	Ni et al.	
7,275,941	B1	10/2007	Bushby	
D556,195	S *	11/2007	Lin	D14/480.3
D556,197	S *	11/2007	Blankenship et al.	D14/480.6
7,295,431	B2	11/2007	Chuang	
7,296,345	B1	11/2007	Wang et al.	
7,297,024	B2	11/2007	Ni et al.	
D556,751	S *	12/2007	Rambosek et al.	D14/480.6
D562,818	S	2/2008	Chen	
7,335,036	B1	2/2008	Lin	
7,361,032	B2	4/2008	Loftus	
7,394,661	B2	7/2008	Wang et al.	
D580,434	S	11/2008	Kim	
7,451,262	B2	11/2008	Yetukri	
D581,926	S	12/2008	Kim	
7,462,044	B1	12/2008	Regen et al.	
7,466,556	B2	12/2008	Hiew et al.	
7,473,112	B2	1/2009	Zhu et al.	
7,500,858	B2	3/2009	Emerson et al.	
D594,871	S *	6/2009	Ma	D14/480.6
7,544,073	B2	6/2009	Nguyen et al.	
7,547,218	B2	6/2009	Hiew et al.	
7,549,875	B2	6/2009	Rambosek et al.	
7,558,069	B2	7/2009	Chung	
7,566,231	B2	7/2009	Regen et al.	
7,586,460	B2	9/2009	Hunt et al.	
D602,026	S	10/2009	Lo	
D602,941	S *	10/2009	Lo	D14/480.7
D606,078	S *	12/2009	Chen	D14/480.6
D607,433	S	1/2010	Drori et al.	
D610,157	S *	2/2010	Ma	D14/480.6
7,699,630	B2	4/2010	Kim	
7,713,074	B2 *	5/2010	Poo et al.	439/136
7,747,003	B2	6/2010	Regen et al.	
D622,278	S *	8/2010	Ma	D14/480.6
D622,279	S *	8/2010	Ma	D14/480.6
7,794,246	B2 *	9/2010	Cheng	439/138
2002/0095389	A1	7/2002	Gaines	
2002/0096875	A1	7/2002	Bilble et al.	
2003/0144608	A1	7/2003	Kojima et al.	
2003/0184082	A1	10/2003	Bilble et al.	
2004/0074264	A1	4/2004	Kung et al.	
2005/0130469	A1 *	6/2005	Ikenoue	439/131
2006/0131431	A1	6/2006	Finn	
2006/0240692	A1	10/2006	Regen et al.	
2008/0019090	A1 *	1/2008	Zhu et al.	361/684
2008/0026614	A1 *	1/2008	Emerson et al.	439/136
2008/0032561	A1	2/2008	Hiew et al.	
2008/0050952	A1	2/2008	Regen et al.	
2008/0094807	A1 *	4/2008	Hiew et al.	361/737
2008/0191030	A1	8/2008	Ma et al.	
2008/0232060	A1	9/2008	Yu et al.	

2008/0261449	A1 *	10/2008	Ni et al.	439/607
2008/0276099	A1	11/2008	Nguyen et al.	
2008/0288697	A1	11/2008	Kim	
2008/0298578	A1	12/2008	Regen et al.	
2009/0258516	A1	10/2009	Hiew et al.	
2010/0075517	A1	3/2010	Ni et al.	
2010/0124831	A1 *	5/2010	Chou et al.	439/131
2010/0304586	A1 *	12/2010	Ma	439/131
2010/0328874	A1 *	12/2010	Ko	361/679.32
2011/0013354	A1 *	1/2011	Huang	361/679.31

FOREIGN PATENT DOCUMENTS

CN	ZL 200920156532.9	5/2010
CN	ZL200930187733.0	10/2010
FR	2724251	3/1996
JP	61137290	6/1986
JP	63079284	4/1988
JP	63266672	11/1988
JP	10340566	12/1998
JP	2000306360	11/2000
JP	2001022897	1/2001
TW	M352748	3/2009
TW	M368821	11/2009
TW	D134370	4/2010
TW	D134845	5/2010

OTHER PUBLICATIONS

“SanDisk Cruzer with 256 MB Digital Memor,” first available at Amazon.com on Aug. 1, 2002, printout from <http://www.amazon.com/SanDisk-Cruzer-Secure-Digital-Memory/dp/B00006HCHH> (8 pages).

“SanDisk Micro USB Flash Drive” printout from <http://wwwv.sandisk.com>, printed on Apr. 8, 2009 (3 pages).

“SanDisk® Cruzer® USB Flash Drive (New Design!)” printout from <http://www.sandisk.com>, printed on Apr. 8, 2009 (2 pages).

“Trek—Thumbdrive® Portable Data Storage Device” product data sheet available at least as early as Sep. 11, 2006 (1 page).

“Netac OnlyDisk” printout from <http://www.pchardware.co.uk/onlydisk.php>, Nov. 2003 (9 pages).

“MacHASP USB” product description sheets owned by Aladdin, available at least as early as Dec. 18, 2006 (10 pages).

“A Very Small Floppy—the Only Disc,” vol. 38, Section F, Uniform Domestic Periodical No. CN11-0132, China Computerworld, Oct. 4, 1999 (4 pages).

Notification of Correction issued on Nov. 25, 2009, from the State Intellectual Property Office in connection with Chinese Application No. 200930187733.0, now Chinese Patent No. ZL200930187733.0 (1 page).

Design Registration No. 300503920.0000 (Korea), filed on Jul. 22, 2008, registered on Aug. 25, 2008, (3 pages).

Design Registration No. 300500238.0000 (Korea), filed on Nov. 28, 2008, registered on Jul. 23, 2008, (2 pages).

Design Registration No. 300414236.0000 (Korea), filed on Jul. 28, 2005, registered on May 8, 2006, (2 pages).

Notice of Allowance dated May 26, 2010 from U.S. Appl. No. 29/311,791 (6 pages).

Notice of Allowance dated May 26, 2010 from U.S. Appl. No. 29/311,792 (6 pages).

* cited by examiner

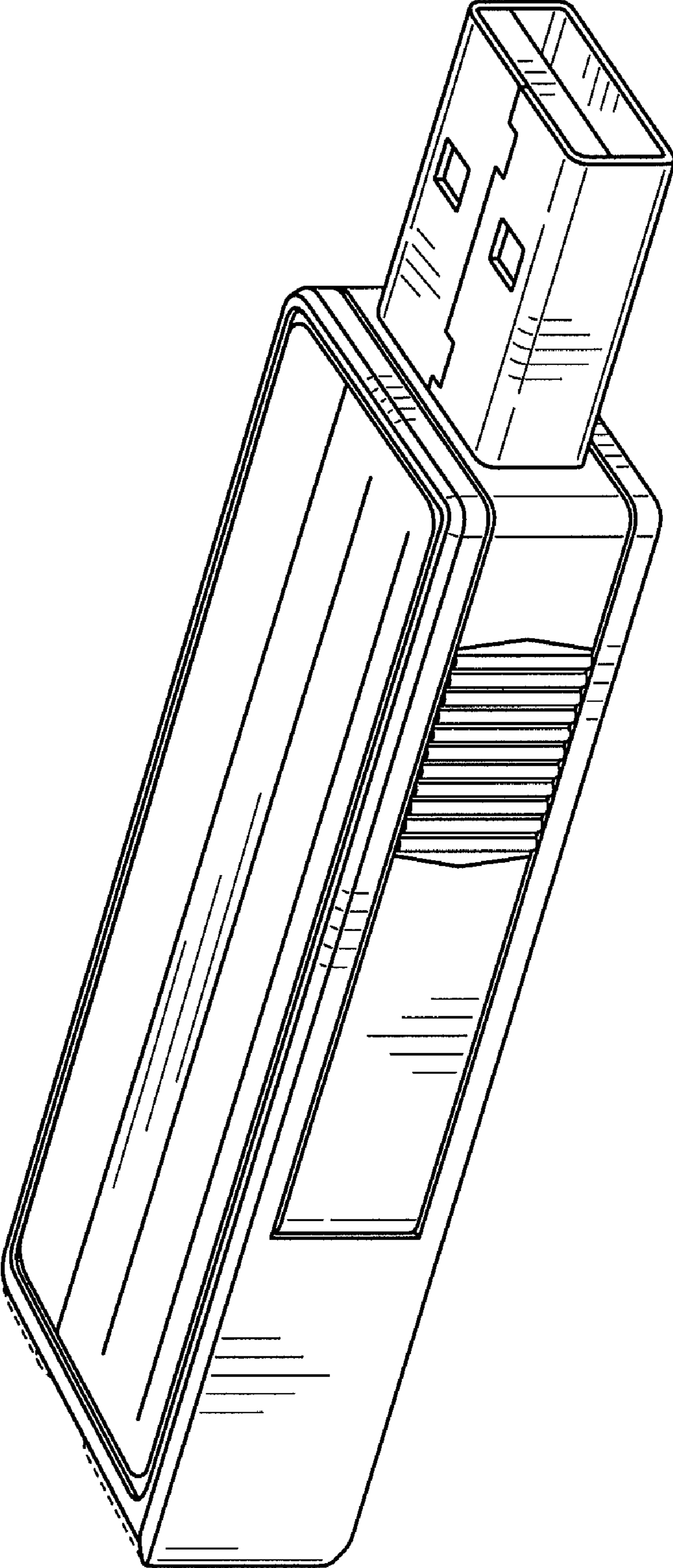


FIG. 1

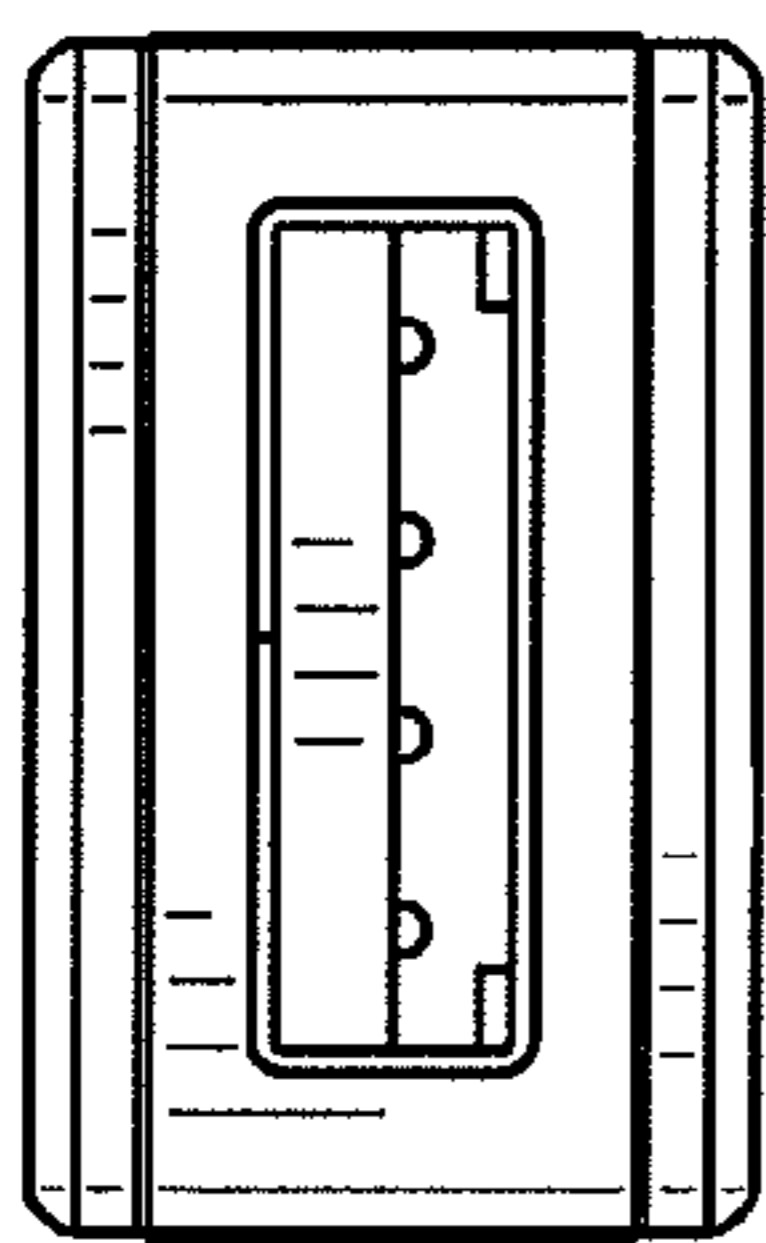


FIG. 2

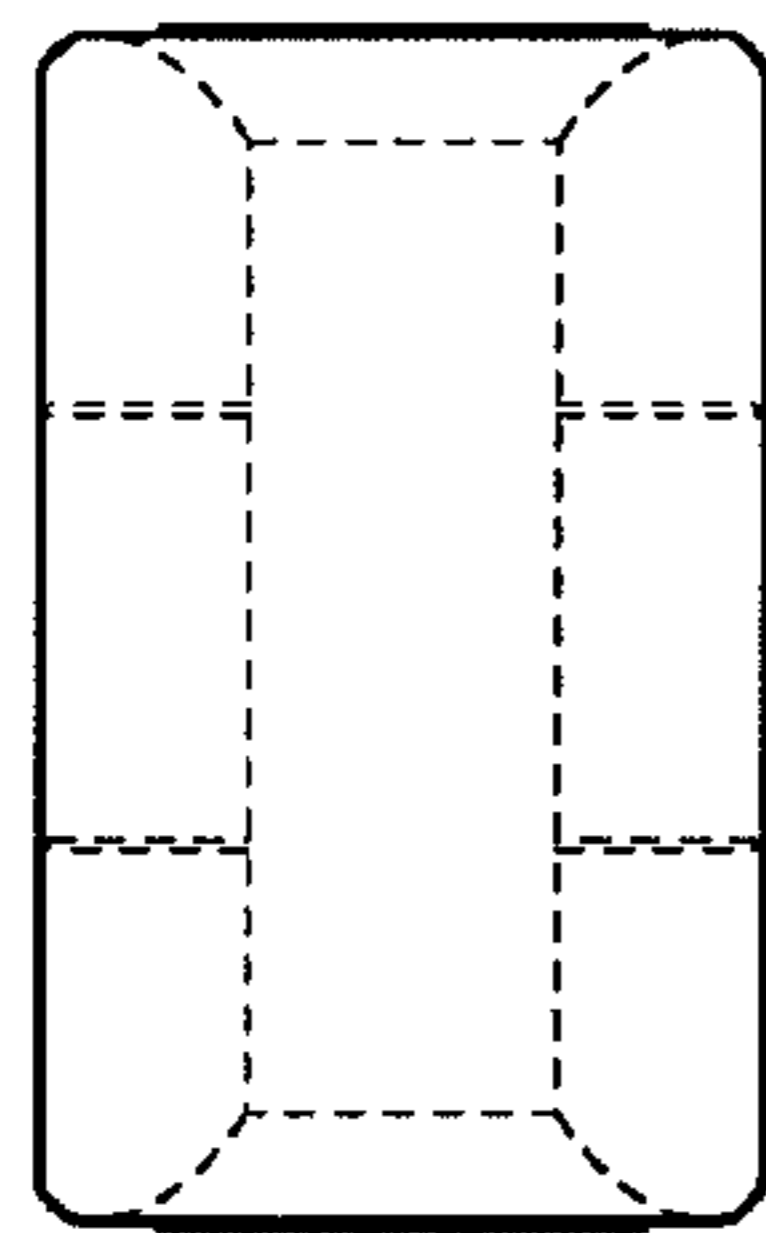


FIG. 3

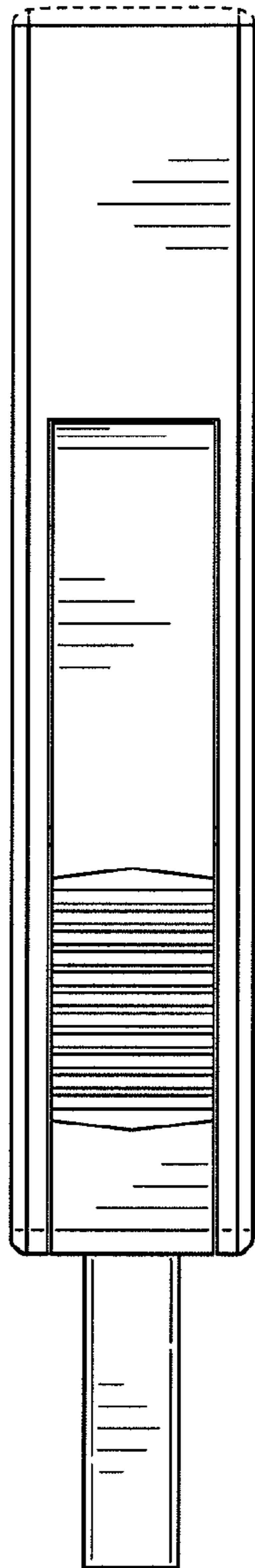


FIG. 4

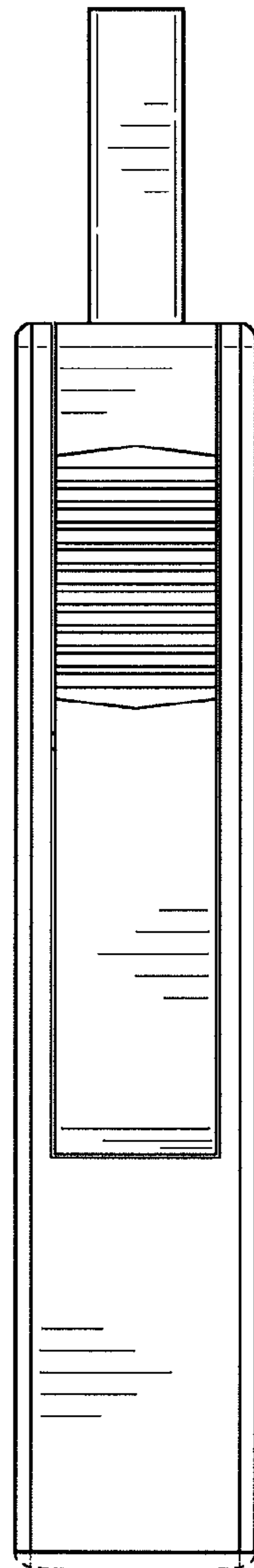


FIG. 5

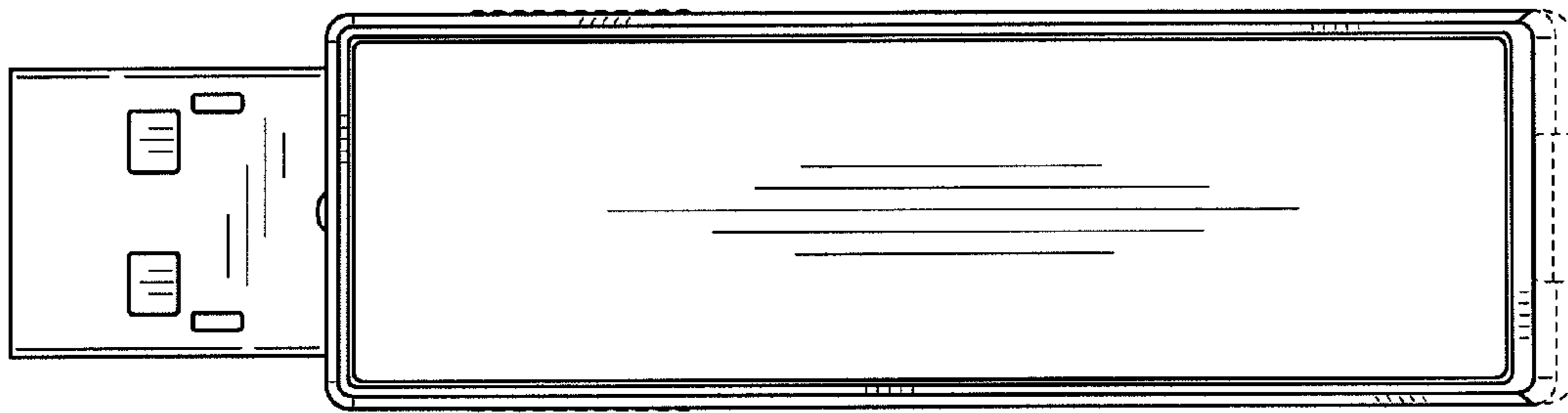


FIG. 7

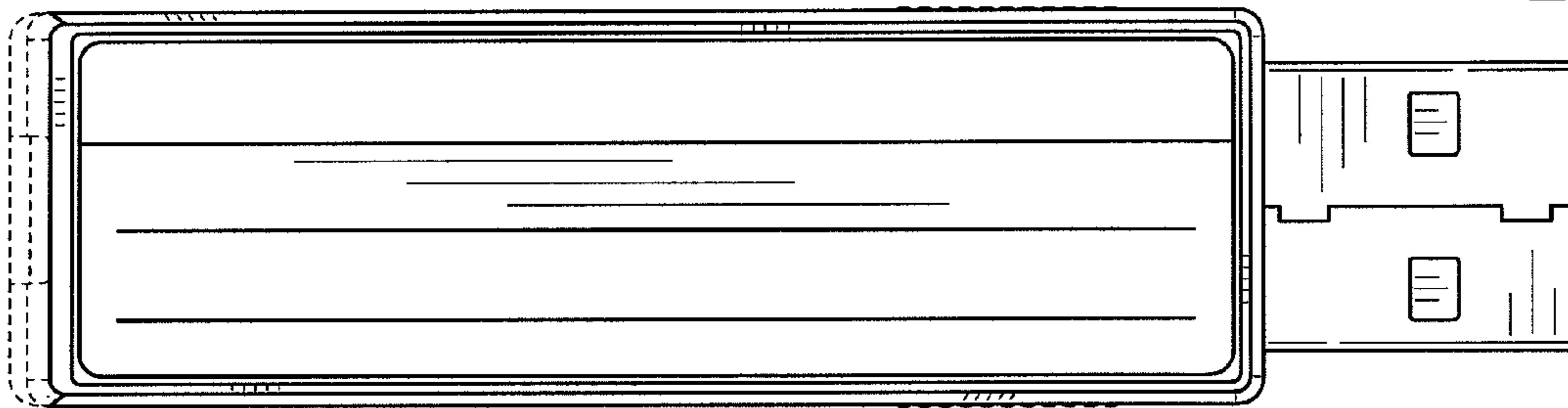


FIG. 6

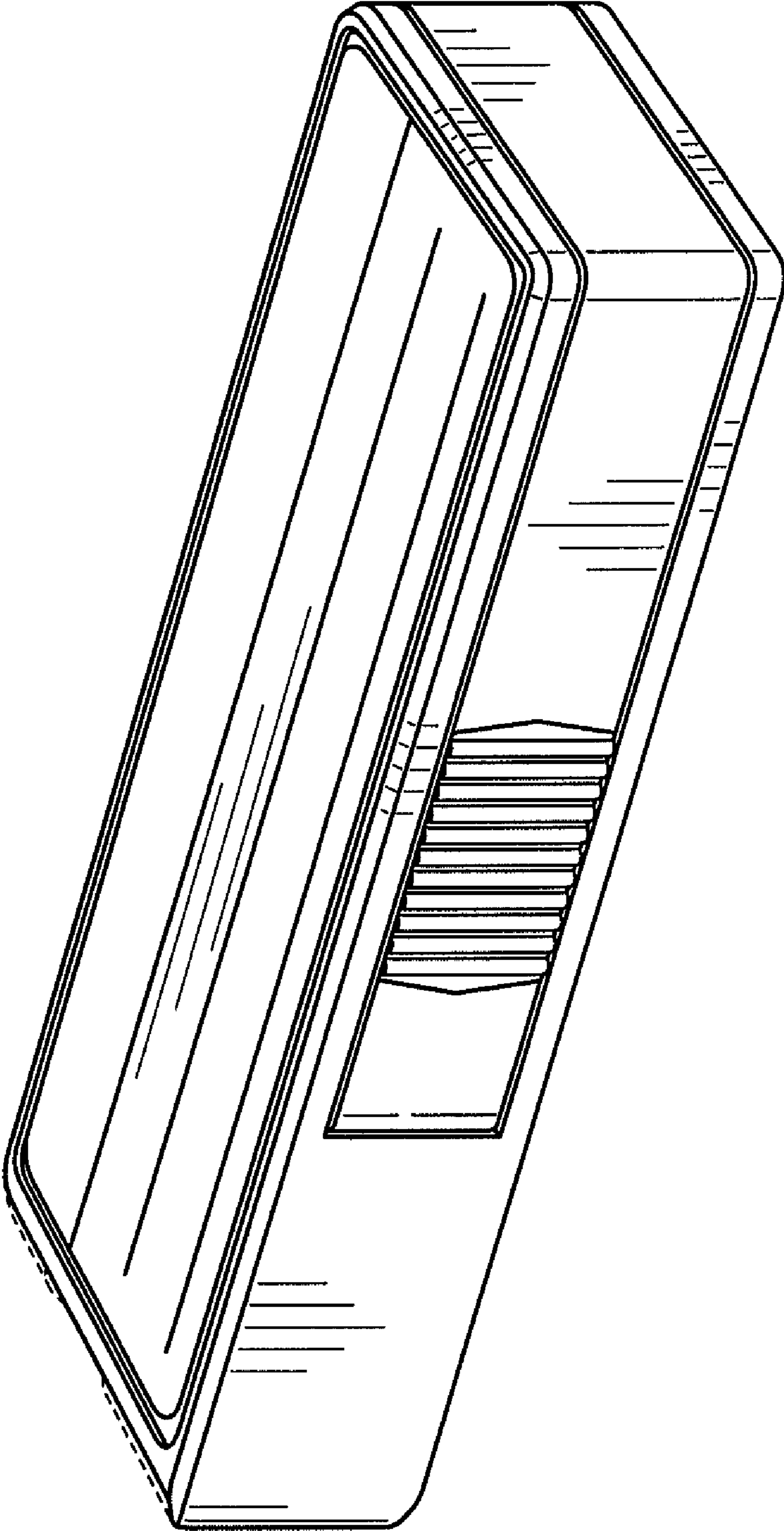


FIG. 8

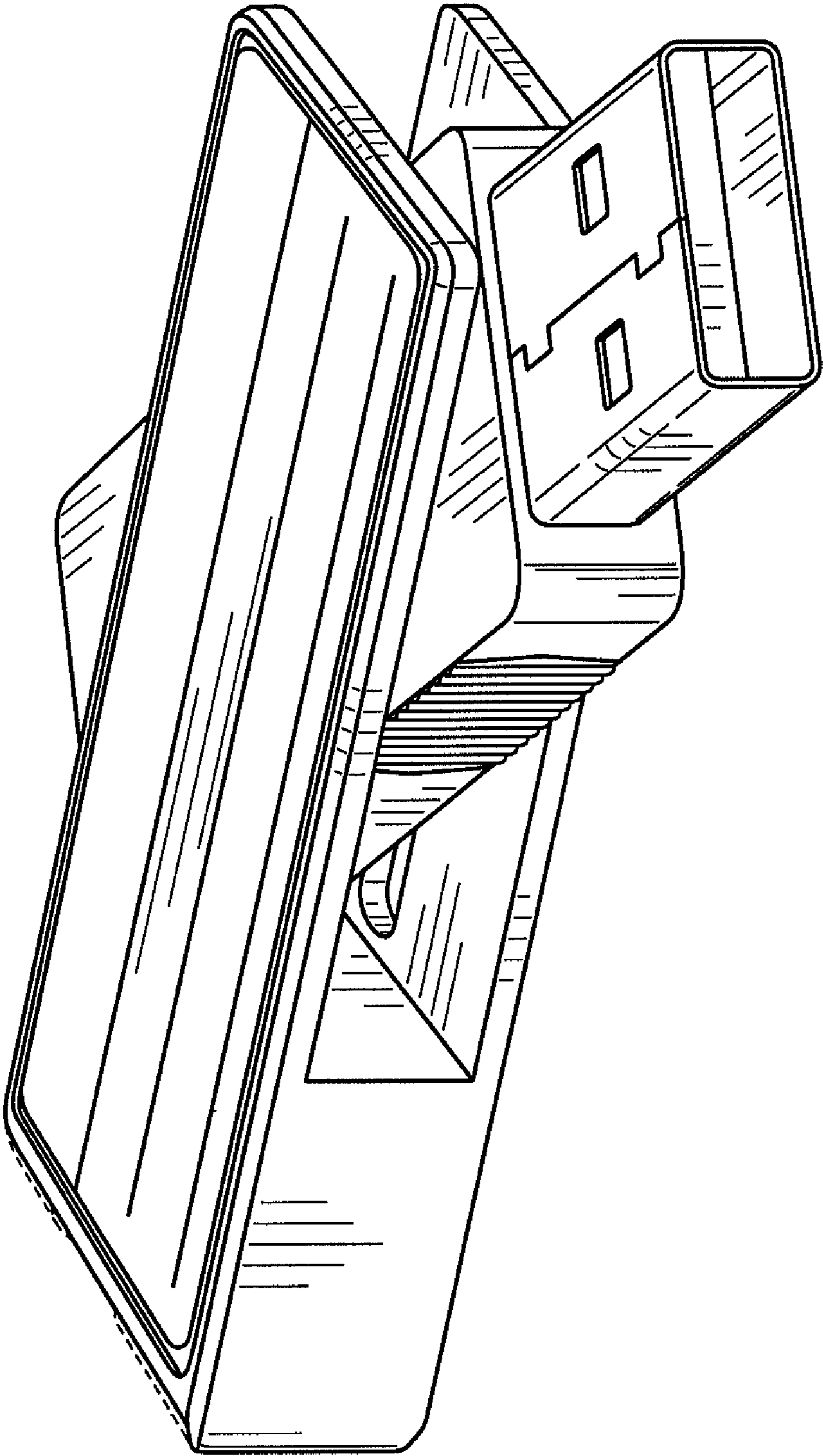


FIG. 9