



US00D652043S

(12) **United States Design Patent**  
**Lee**

(10) **Patent No.:** **US D652,043 S**  
(45) **Date of Patent:** **\*\* Jan. 10, 2012**

(54) **SUPPORTER FOR PORTABLE COMPUTING DEVICE**

(76) Inventor: **Wen-Sung Lee**, Taichung (TW)

(\*\*) Term: **14 Years**

(21) Appl. No.: **29/381,895**

(22) Filed: **Dec. 24, 2010**

(51) **LOC (9) Cl.** ..... **14-02**

(52) **U.S. Cl.** ..... **D14/447**

(58) **Field of Classification Search** ..... D14/447,  
D14/451, 452, 448, 457, 432, 434, 440, 217,  
D14/250, 251, 253, 239, 373; D3/218; D6/406.3,  
D6/406.4, 406.5, 406.6; D8/363, 373, 380;  
248/917-924, 139, 149, 150, 155.2, 371,  
248/415, 176.3, 324, 687, 688, 441.1, 447,  
248/454, 455, 456, 457, 460; 361/679.04,  
361/679.05, 679.06, 679.02, 679.07, 679.09,  
361/679.21, 679.26, 679.3, 379.55, 679.56

See application file for complete search history.

(56) **References Cited**

**U.S. PATENT DOCUMENTS**

D358,144 S *	5/1995	Masaaki	.....	D14/447
D494,182 S *	8/2004	Singer et al.	.....	D14/451
D494,595 S *	8/2004	Lin et al.	.....	D14/451
D513,008 S *	12/2005	Takizawa et al.	.....	D14/447

D584,731 S *	1/2009	Montgomery et al.	.....	D14/434
D588,139 S *	3/2009	Fujino et al.	.....	D14/447
D590,404 S *	4/2009	Kim et al.	.....	D14/447
D591,303 S *	4/2009	Heggland et al.	.....	D14/434
D599,801 S *	9/2009	Skaf et al.	.....	D14/434
D607,879 S *	1/2010	Ferber et al.	.....	D14/217
D609,707 S *	2/2010	Lee	.....	D14/434
D624,549 S *	9/2010	Okoshi et al.	.....	D14/451
D626,964 S *	11/2010	Richardson et al.	.....	D14/447

\* cited by examiner

*Primary Examiner* — Angela J Lee

(57) **CLAIM**

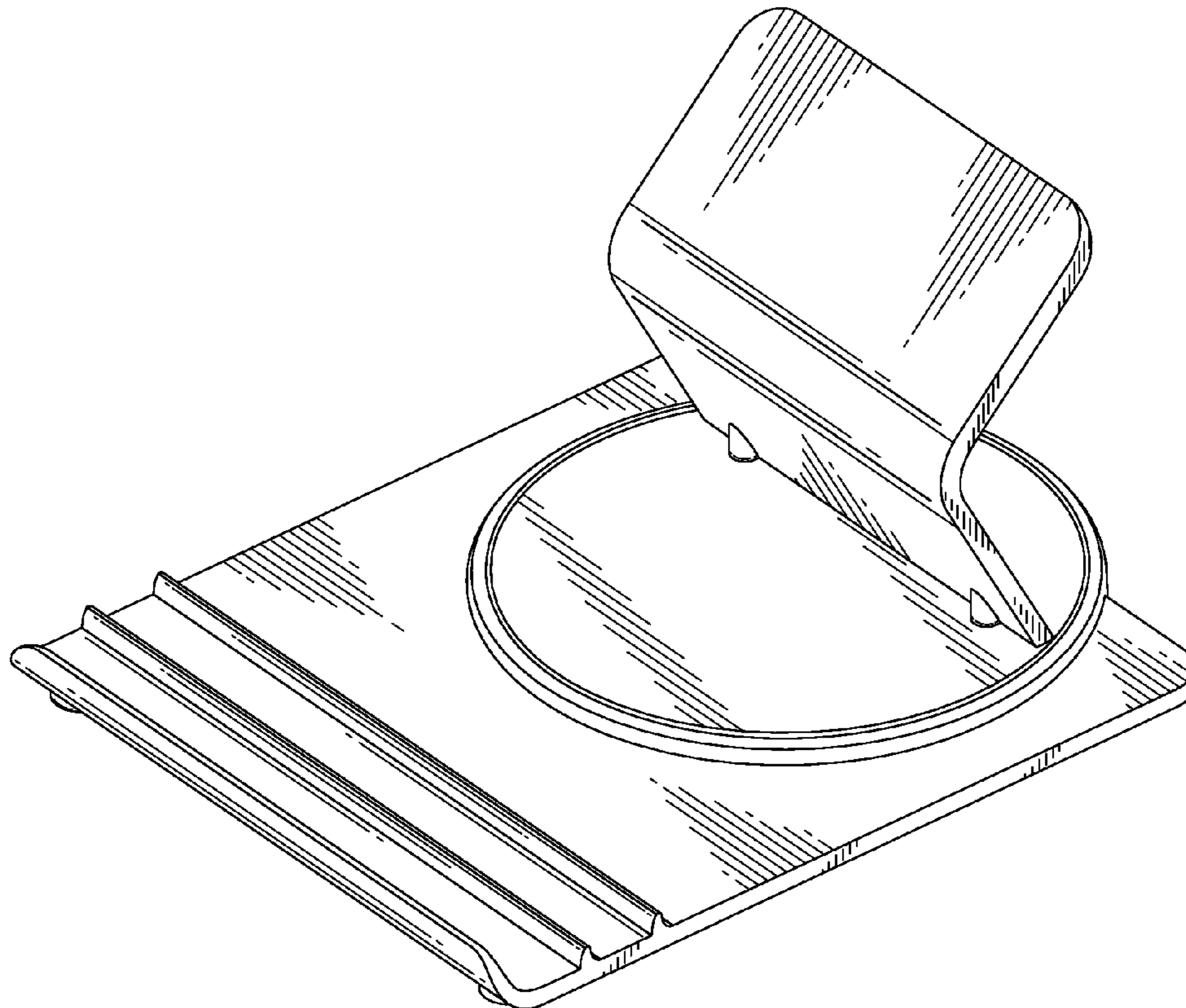
The ornamental design for a supporter for portable computing device, as shown and described.

**DESCRIPTION**

FIG. 1 is a perspective view of a supporter for portable computing device showing my new design;  
FIG. 2 is a front elevational view thereof;  
FIG. 3 is a rear elevational view thereof;  
FIG. 4 is a left side view thereof;  
FIG. 5 is a right side view thereof;  
FIG. 6 is a top plan view thereof; and,  
FIG. 7 is a bottom plan view thereof.

The portions of the supporter for portable computing device shown in broken lines form no part of the claimed design.

**1 Claim, 5 Drawing Sheets**



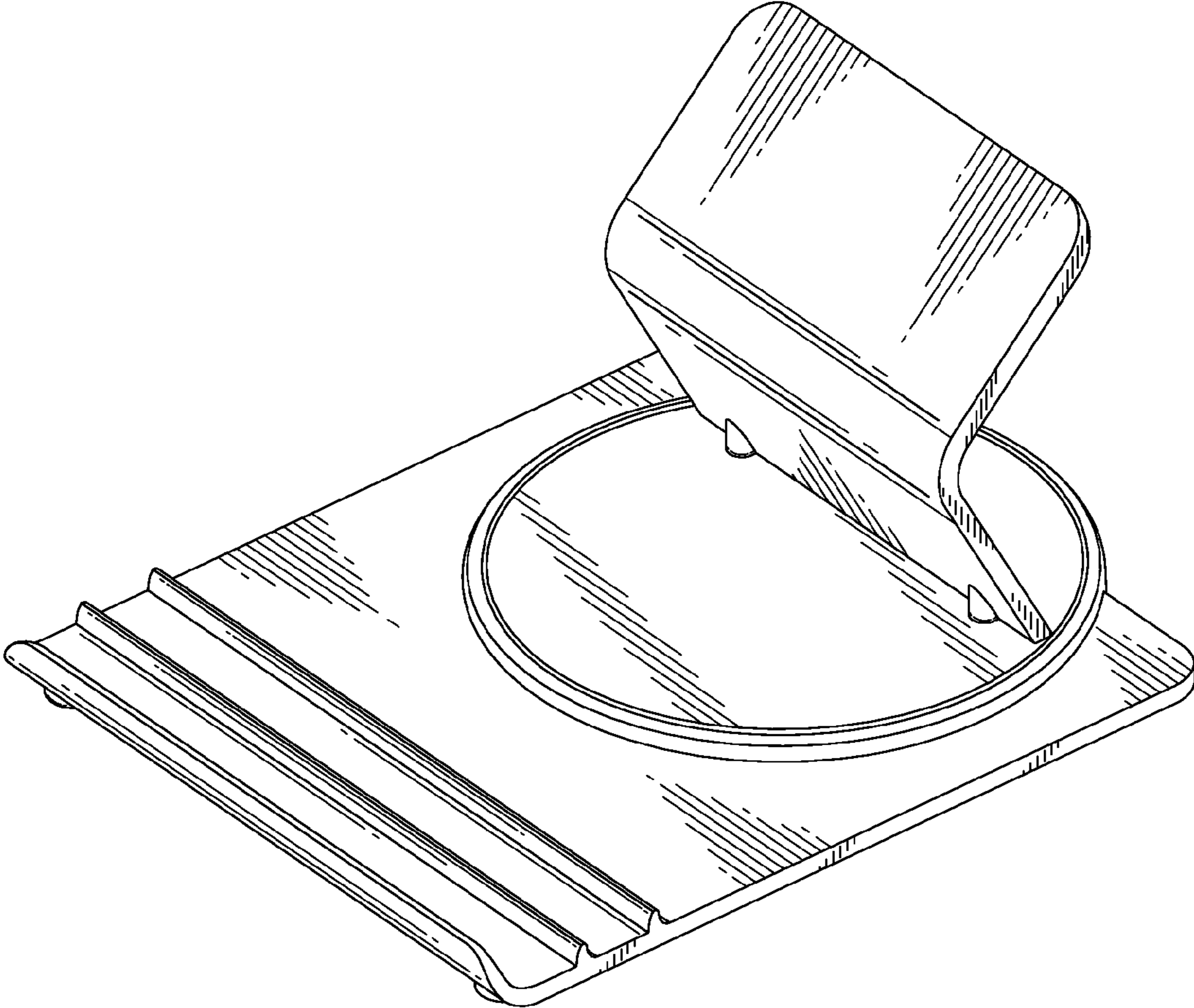


FIG. 1

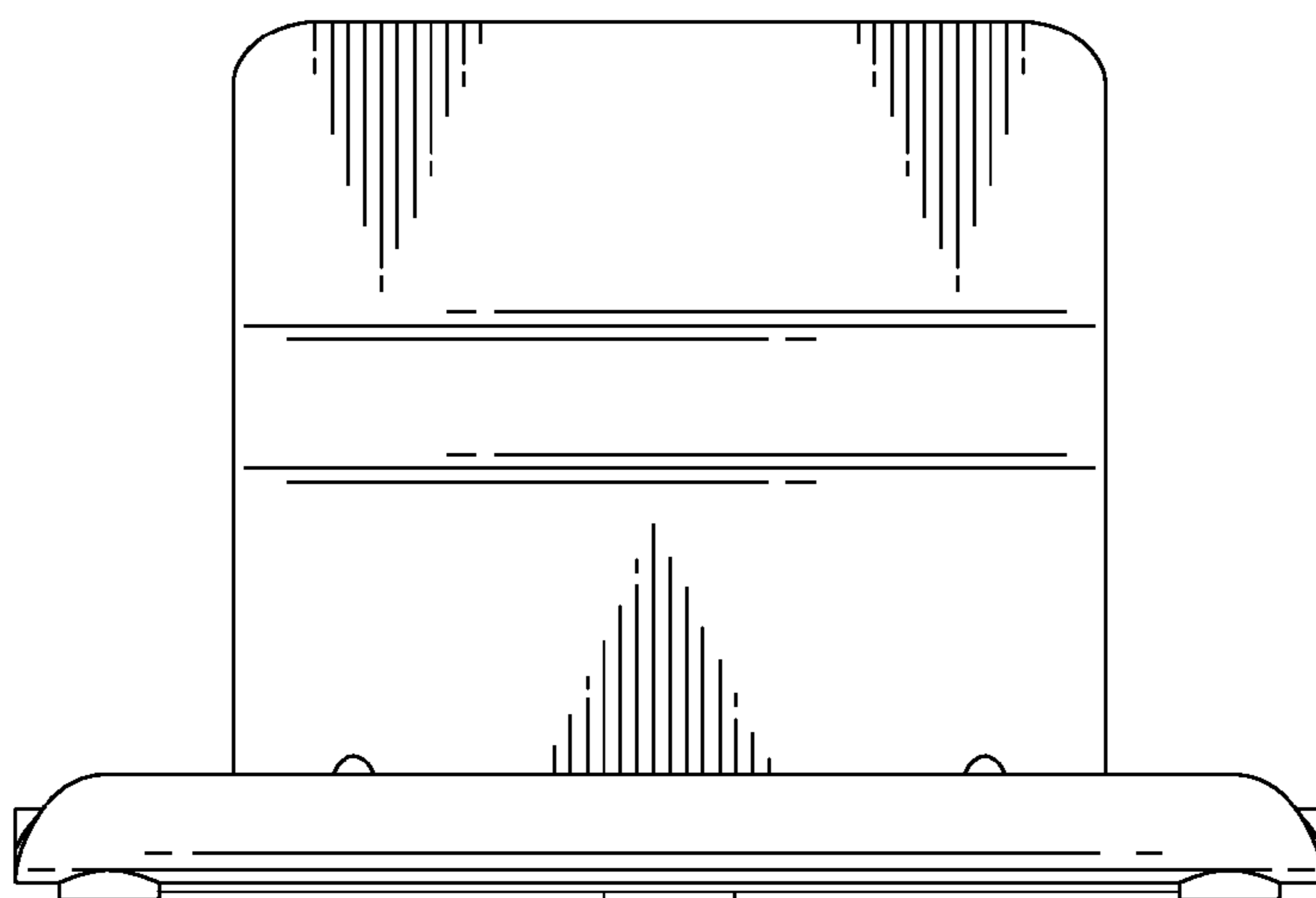


FIG. 2

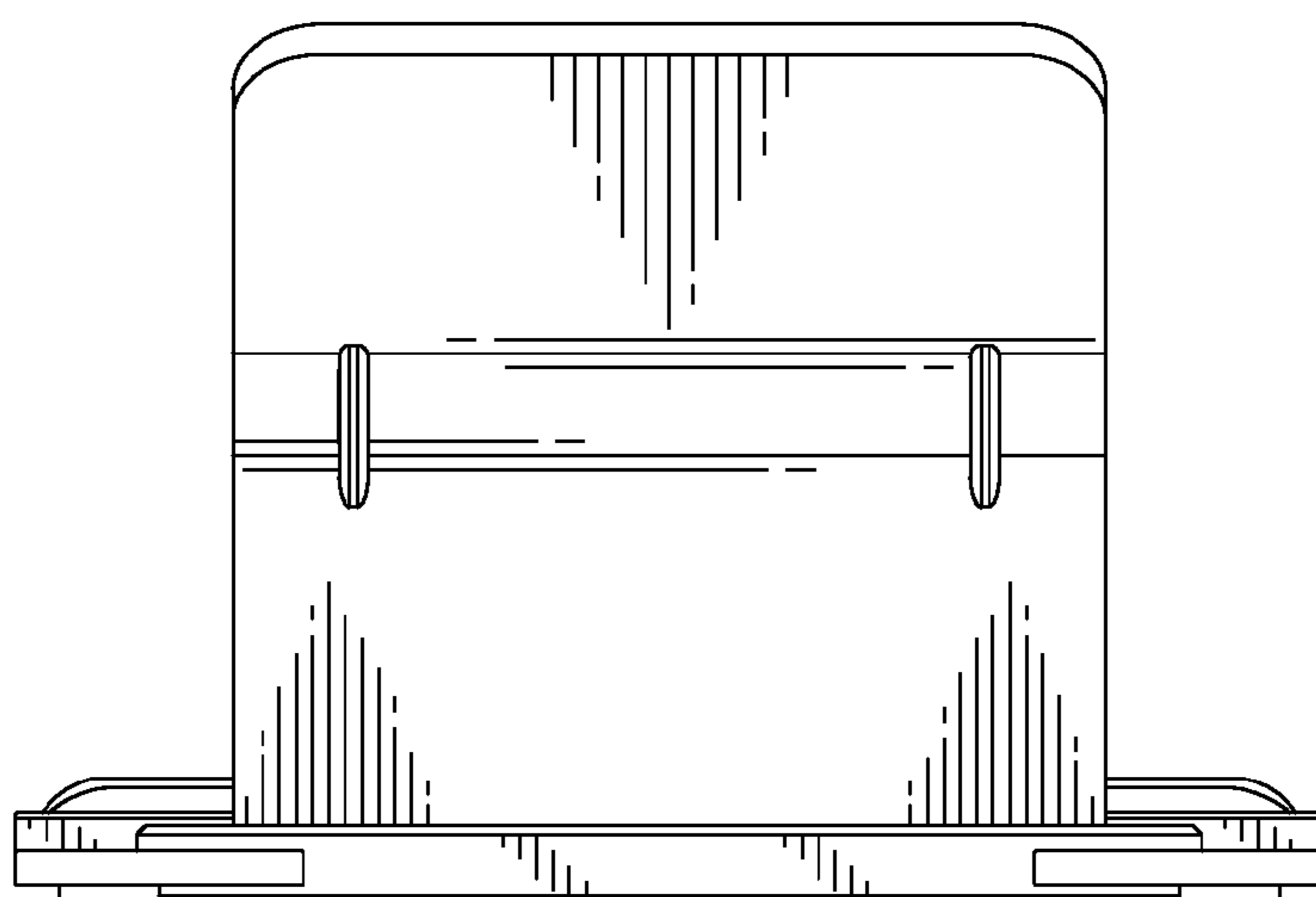


FIG. 3

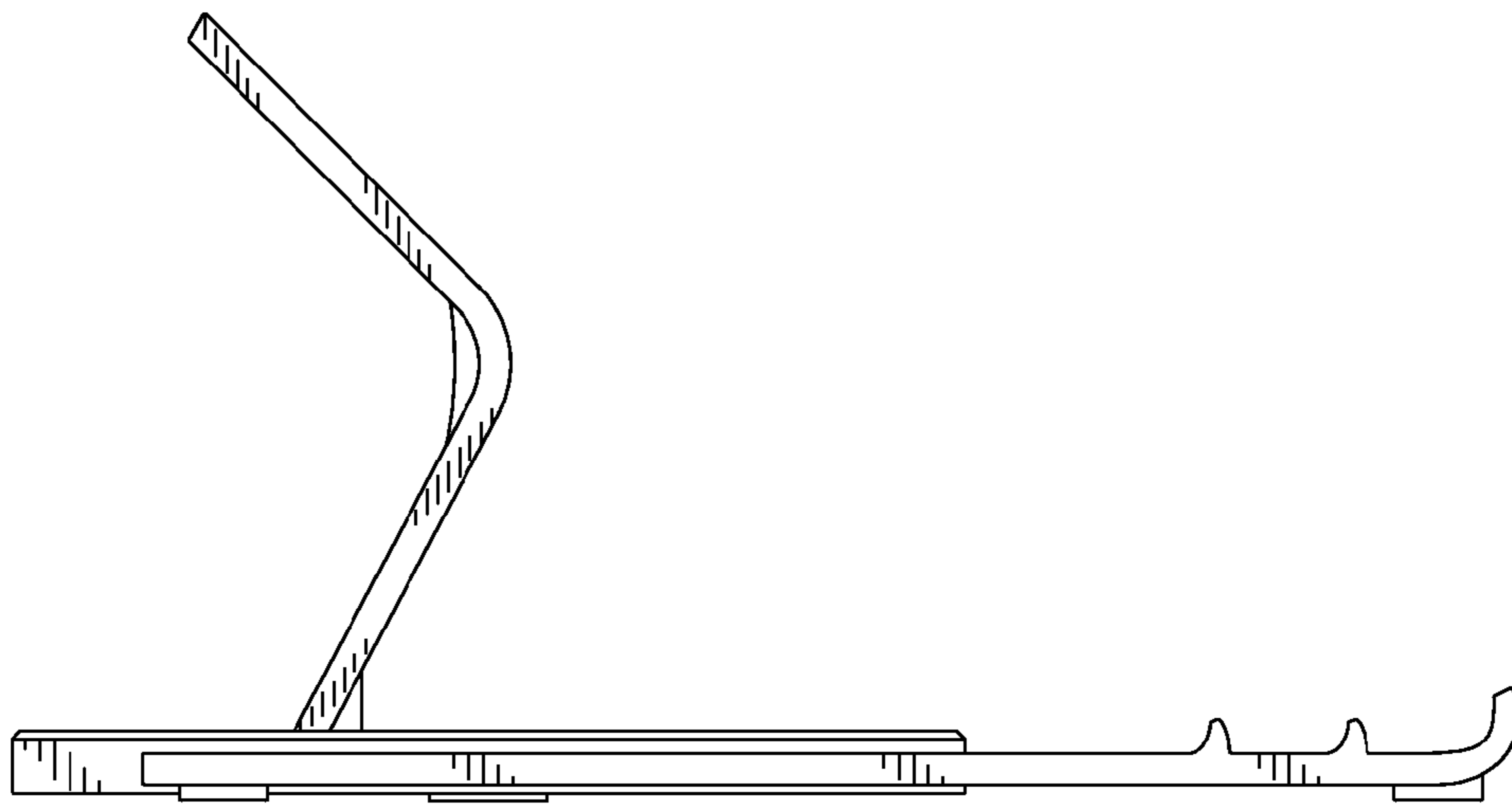


FIG. 4

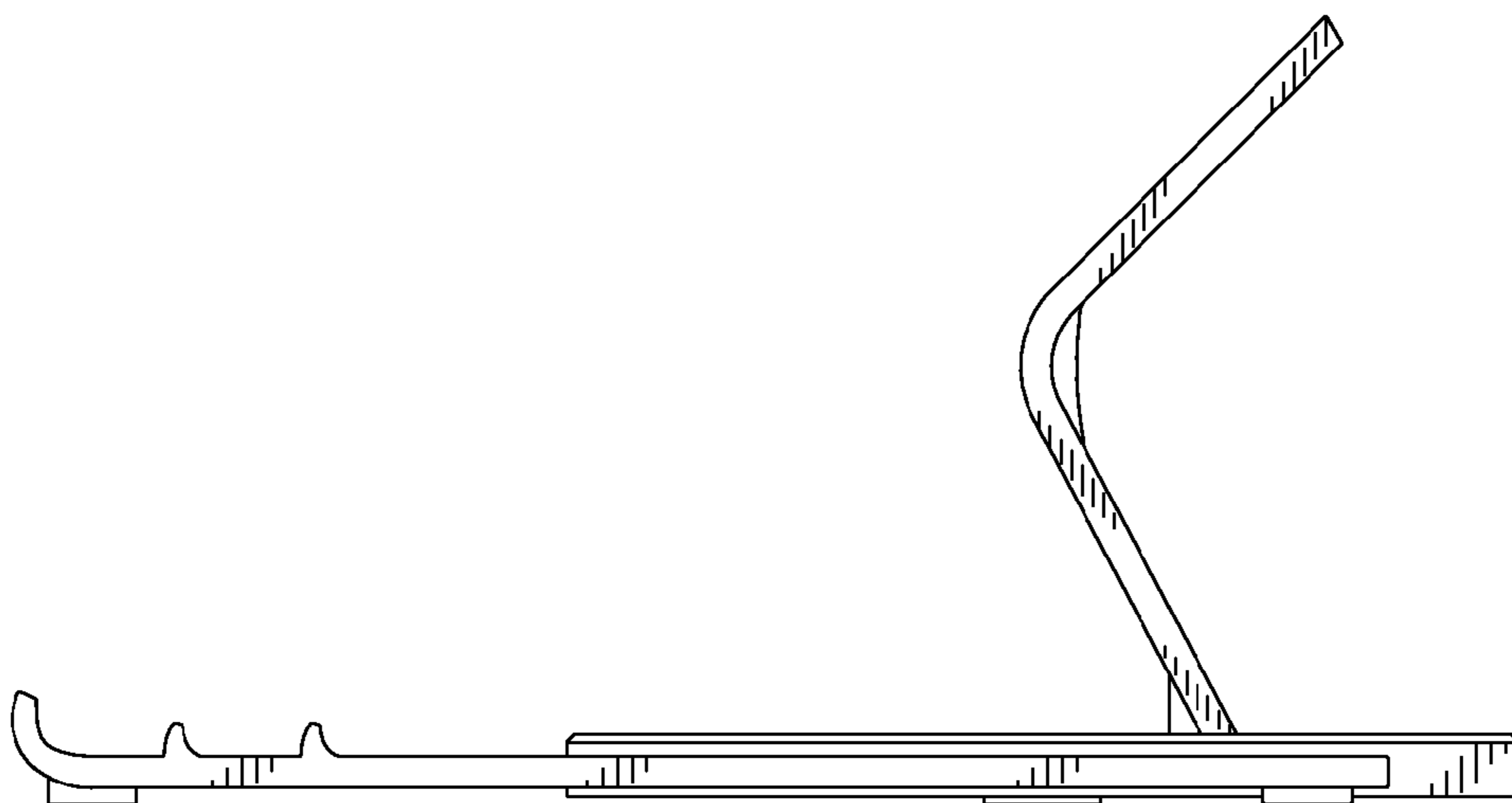


FIG. 5

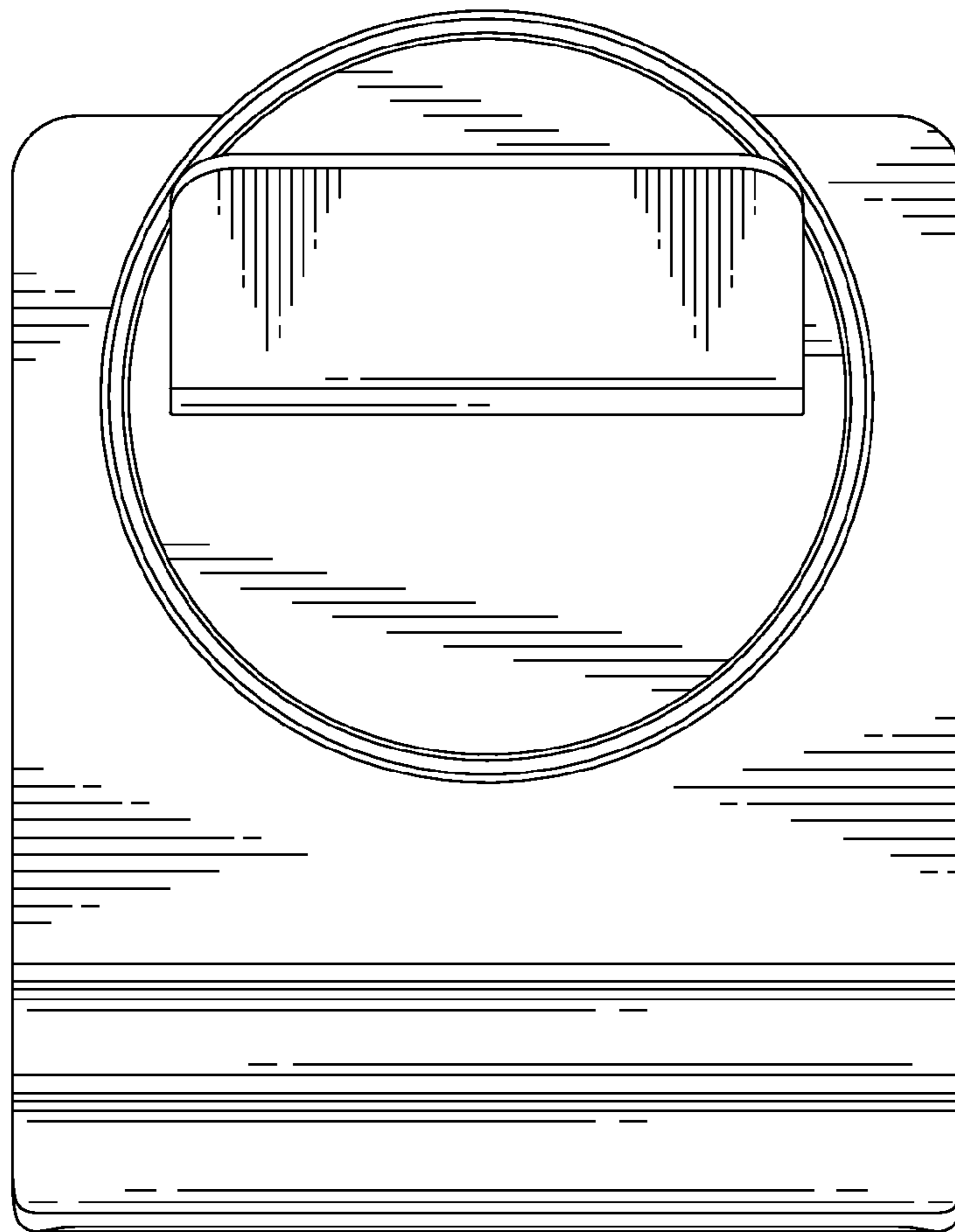


FIG. 6

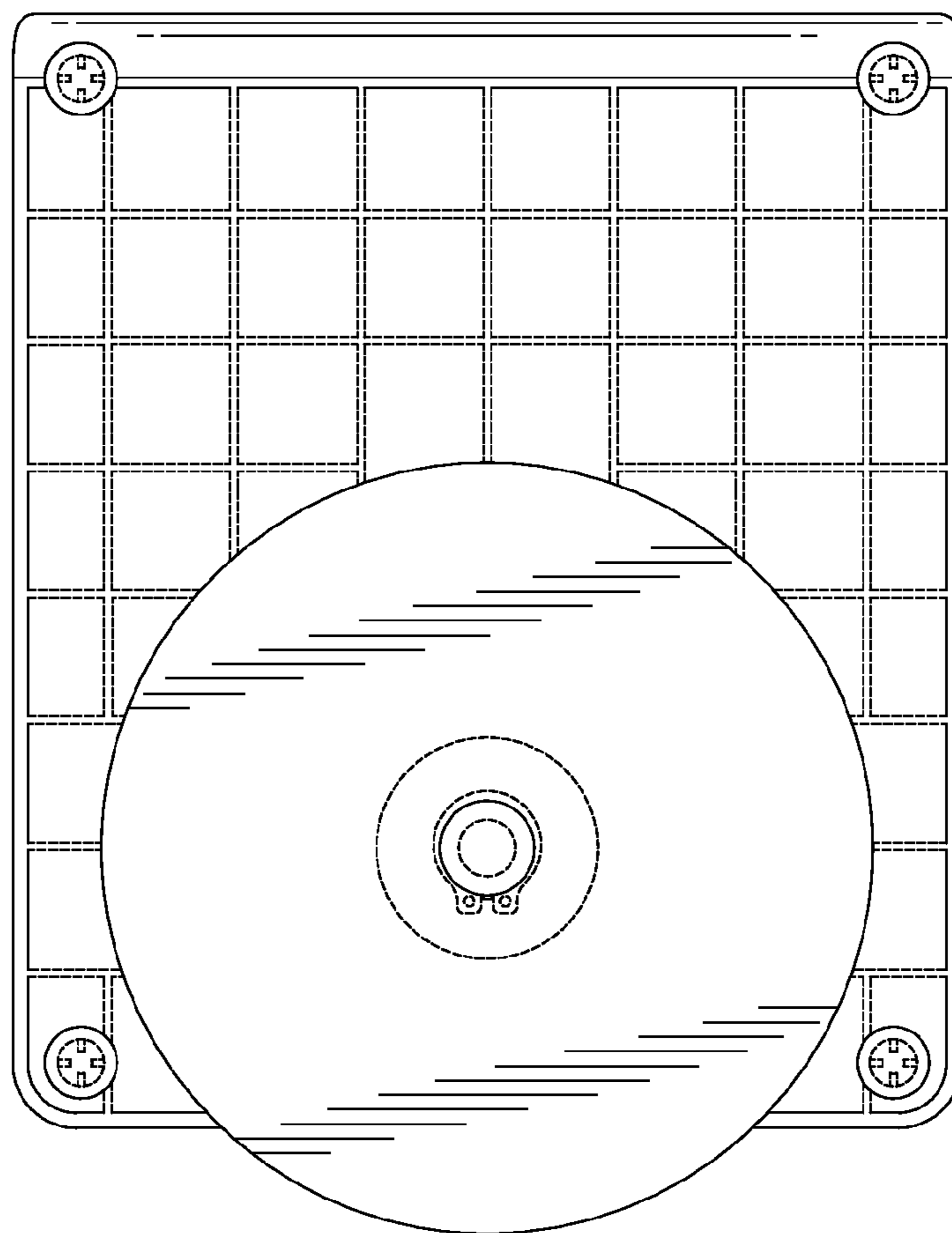


FIG. 7