



US00D652040S

(12) **United States Design Patent**
Morgan et al.

(10) **Patent No.:** **US D652,040 S**
(45) **Date of Patent:** **** Jan. 10, 2012**

(54) **INTERFACE DOCK**

(75) Inventors: **Michael Gene Morgan**, Los Altos Hills, CA (US); **Michael Albert Perry**, San Jose, CA (US); **Ash Razdan**, San Jose, CA (US); **Ming-Hsueh Tsai**, Taipei (TW)

(73) Assignee: **Seagate Technology LLC**, Scotts Valley, CA (US)

(**) Term: **14 Years**

(21) Appl. No.: **29/390,016**

(22) Filed: **Apr. 19, 2011**

(51) **LOC (9) Cl.** **14-02**

(52) **U.S. Cl.** **D14/434**

(58) **Field of Classification Search** D14/432-434, D14/314, 204, 420, 421, 447, 217, 358; D13/107, D13/108, 146; D8/373; 248/346.03, 176.1; 361/679.41, 679.31, 679.32, 679.4, 679.43, 361/679.55, 679.33; 320/109, 112-115; 710/15, 303; 455/557

See application file for complete search history.

(56) **References Cited**

U.S. PATENT DOCUMENTS

D351,133	S *	10/1994	Jungels-Butler et al.	D13/108
7,075,579	B2 *	7/2006	Whitby et al.	348/375
D580,856	S *	11/2008	Haspil et al.	D13/108
D584,306	S	1/2009	Maiers	
D596,621	S *	7/2009	Andre et al.	D14/217
D599,346	S	9/2009	Beng	
D599,783	S *	9/2009	Andre et al.	D14/217
7,643,283	B2 *	1/2010	Jubelirer et al.	361/679.41

D631,010	S *	1/2011	Smith et al.	D13/108
2006/0181840	A1 *	8/2006	Cvetko	361/679
2006/0250764	A1 *	11/2006	Howarth et al.	361/683
2007/0047198	A1 *	3/2007	Crooijmans et al.	361/686
2008/0219488	A1 *	9/2008	Crooijmans et al.	381/333

OTHER PUBLICATIONS

U.S. Appl. No. 29/368,131, filed Aug. 18, 2010, McParland.
U.S. Appl. No. 29/362,967, filed Jun. 2, 2010, Dublin.

* cited by examiner

Primary Examiner — Freda S Nunn

(74) *Attorney, Agent, or Firm* — Mueting Raasch & Gerbhardt PA

(57) **CLAIM**

The ornamental design for an interface dock, as shown and described.

DESCRIPTION

FIG. 1 is a front perspective of a interface dock showing my new design;
FIG. 2 is a top view thereof;
FIG. 3 is a bottom view thereof;
FIG. 4 is a left side view and right side view thereof;
FIG. 5 is a front view thereof; and,
FIG. 6 is a rear view thereof.

The broken lines immediately adjacent to the shaded areas form unclaimed boundaries of the design. The broken line showing a cartridge in the interface dock is for environmental purposes only and forms no part of the claimed invention. The broken line showing a recessed region, connector portions and the remainder of the interface dock is for environmental purposes only and forms no part of the claimed invention.

1 Claim, 4 Drawing Sheets

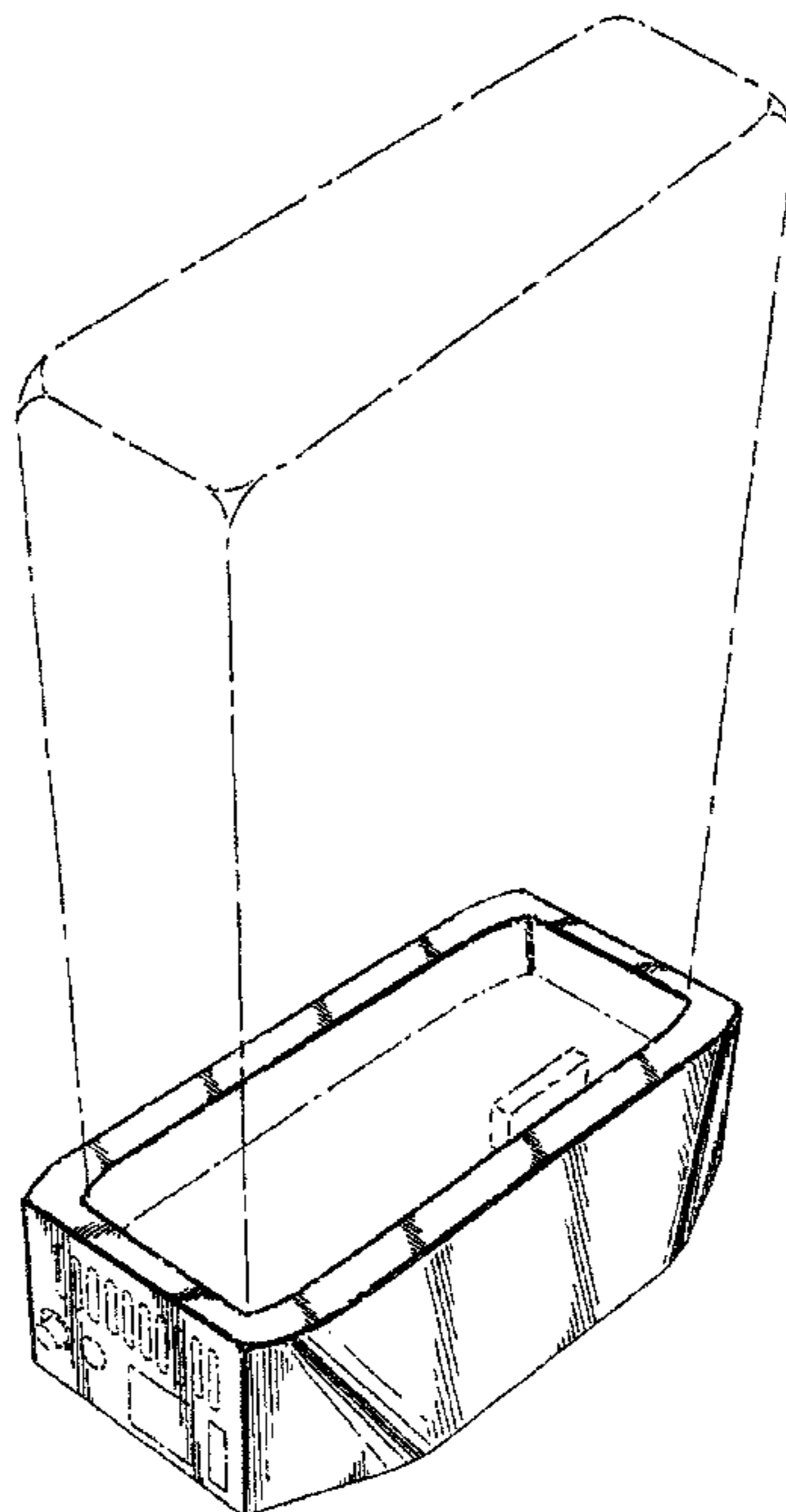


FIG. 1

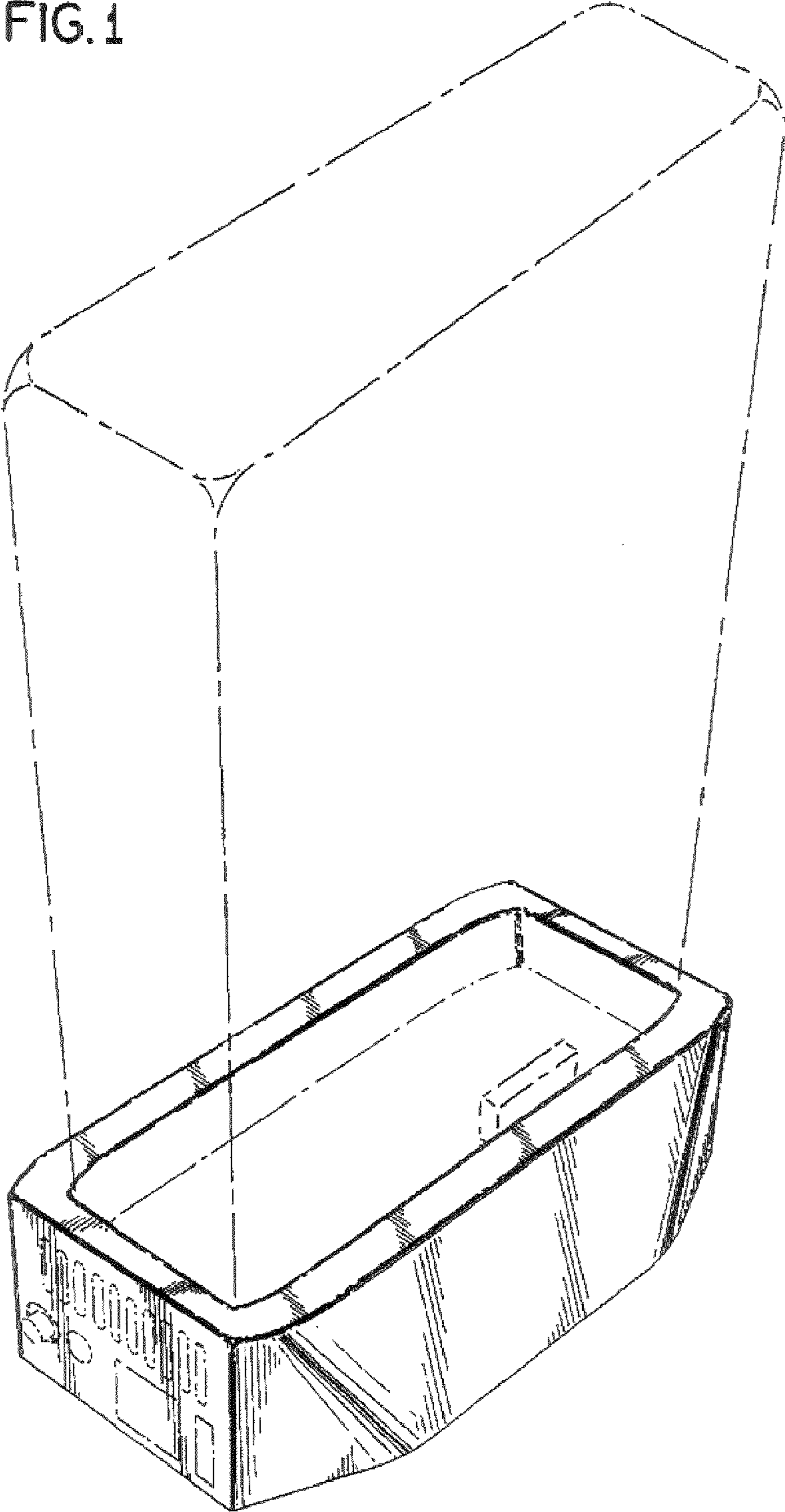
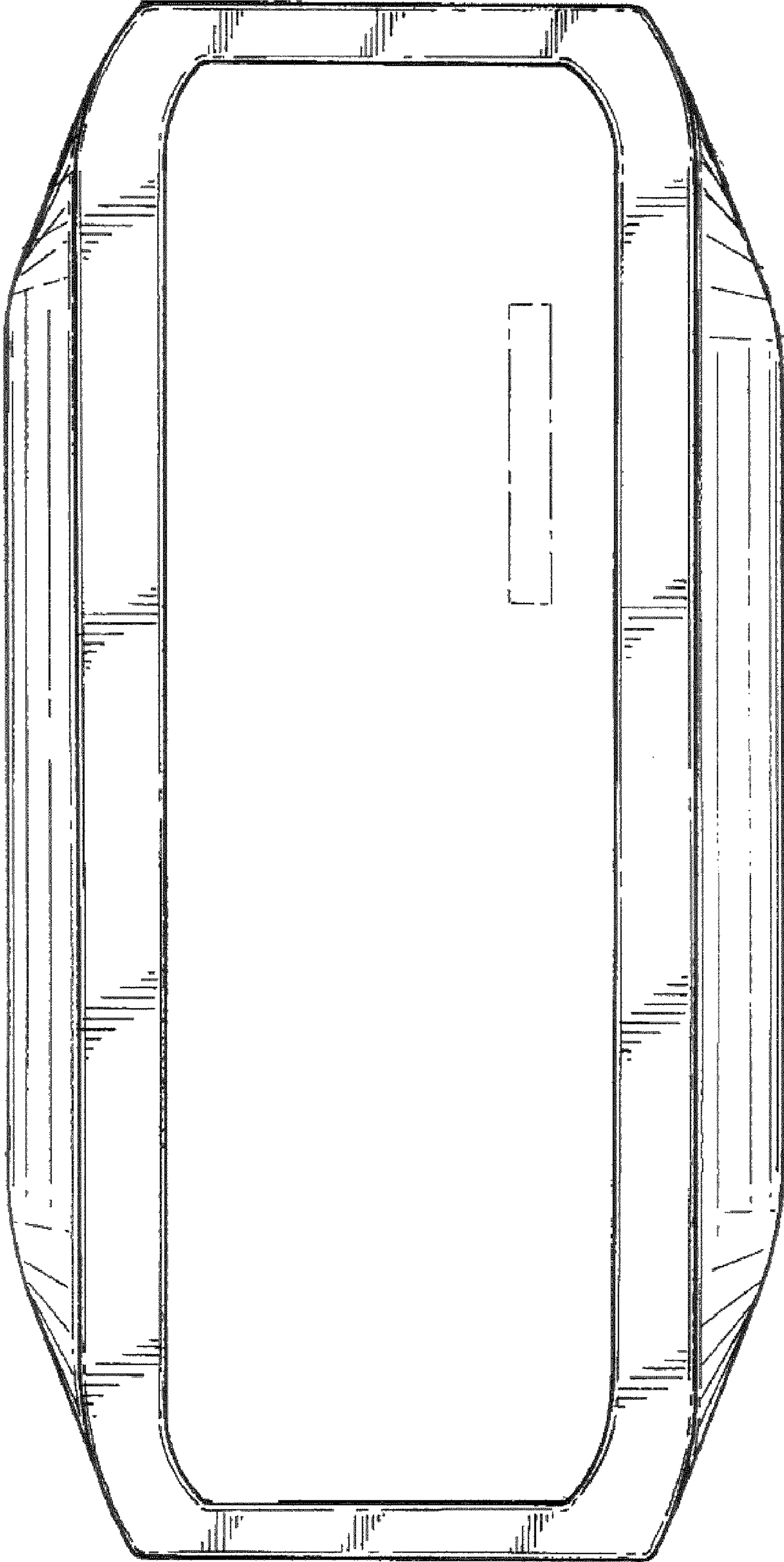


FIG. 2



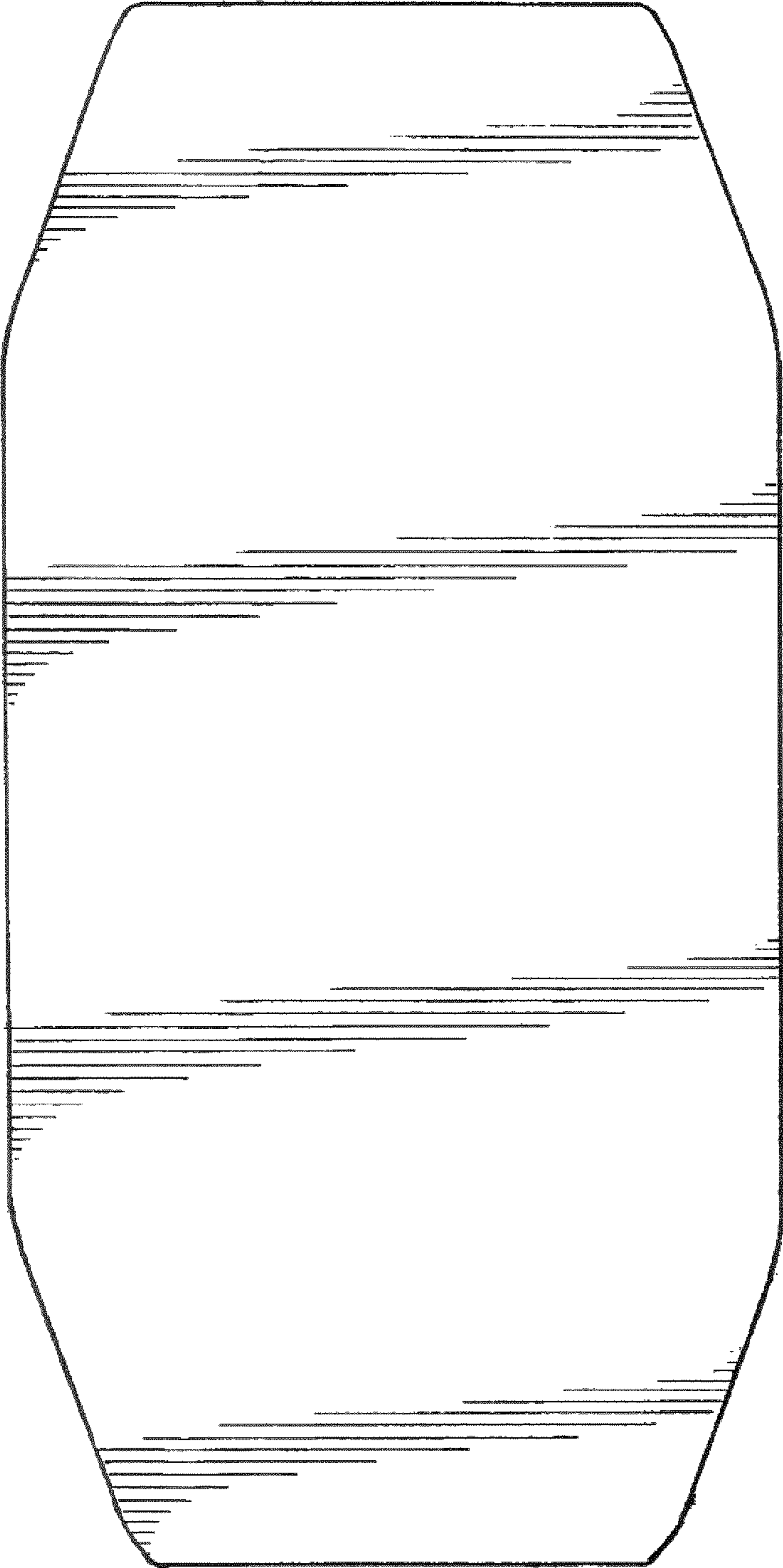


FIG.3

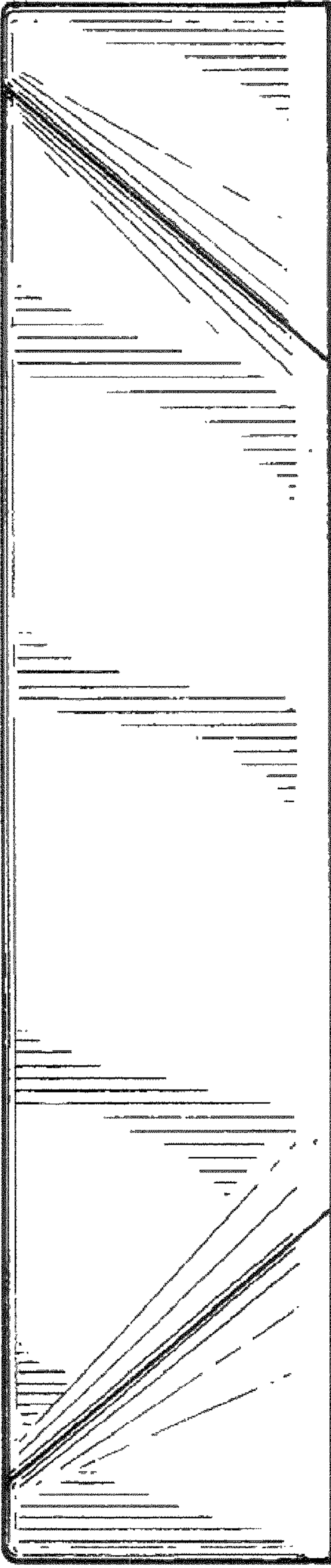


FIG.4

FIG. 5

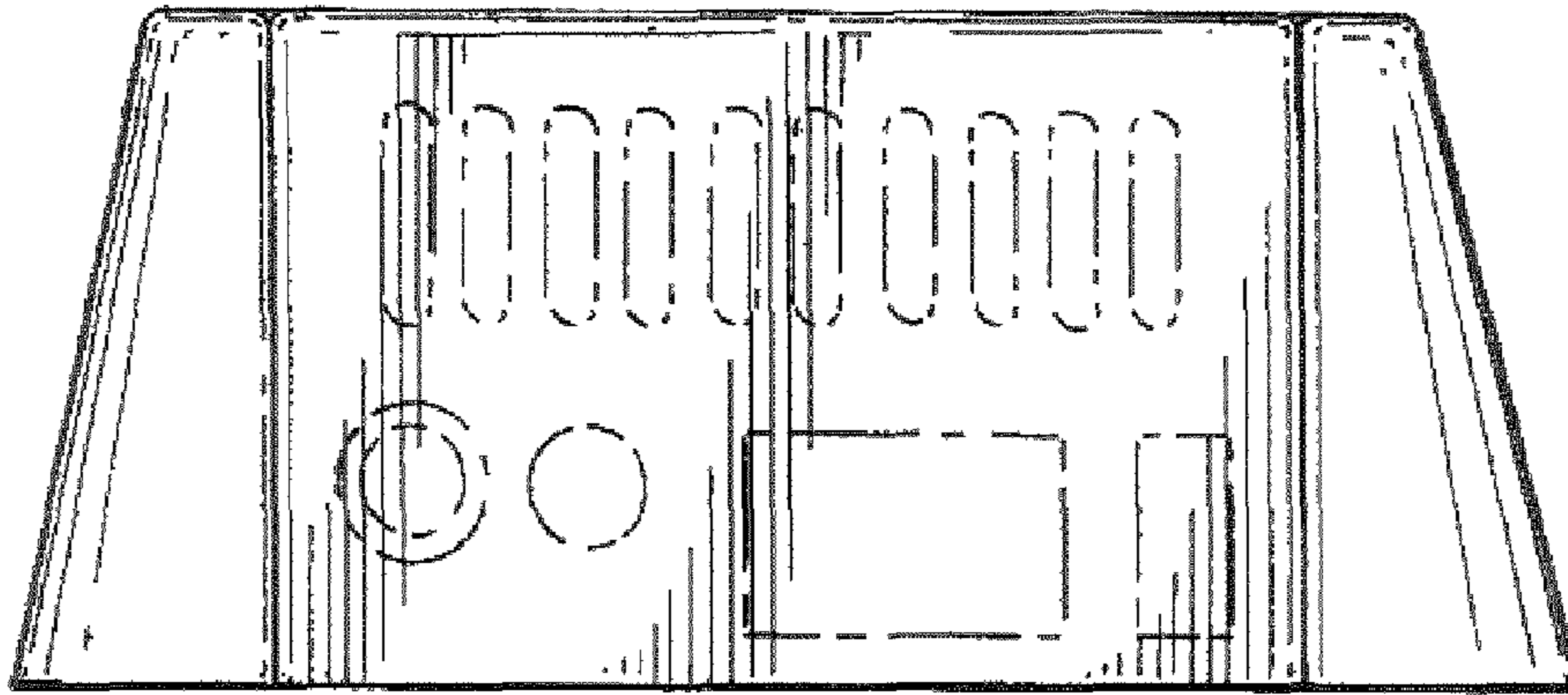


FIG. 6

