

US00D652039S

(12) **United States Design Patent**
Hwang et al.

(10) **Patent No.:** **US D652,039 S**
(45) **Date of Patent:** **** Jan. 10, 2012**

(54) **DOCKING STATION**
(75) Inventors: **Steven Hwang**, San Francisco, CA (US);
Christopher C. Jones, San Francisco,
CA (US)
(73) Assignee: **Cisco Technology, Inc.**, San Jose, CA
(US)

D575,786 S * 8/2008 Solomon et al. D14/434
D579,917 S 11/2008 Marchand et al.
D584,731 S 1/2009 Montgomery et al.
D605,615 S * 12/2009 Fuxen D14/130
D607,879 S 1/2010 Ferber et al.
D608,351 S * 1/2010 Song D14/217
D609,707 S 2/2010 Lee
D611,031 S * 3/2010 Lesniak et al. D14/151
2008/0219488 A1 9/2008 Crooijmans et al.
2010/0118485 A1 5/2010 Crooijmans et al.

(**) Term: **14 Years**

OTHER PUBLICATIONS

(21) Appl. No.: **29/364,774**

U.S. Appl. No. 29/364,773, filed Jun. 28, 2010.

(22) Filed: **Jun. 28, 2010**

* cited by examiner

(51) **LOC (9) Cl.** **14-02**

Primary Examiner — Freda S Nunn

(52) **U.S. Cl.** **D14/434; D13/107; D13/108;**
D14/151

(74) *Attorney, Agent, or Firm* — Edell, Shapiro & Finnan,
LLC

(58) **Field of Classification Search** D14/432–434,
D14/314, 204, 420, 421, 447, 217, 358, 151;
D13/107, 108, 146; D8/373; 248/346.03,
248/176.1; 361/679.41, 679.31, 679.32,
361/679.4, 679.43, 679.55, 755; 320/109,
320/112–115

(57) **CLAIM**

The ornamental design for a docking station, as shown and
described.

See application file for complete search history.

DESCRIPTION

(56) **References Cited**

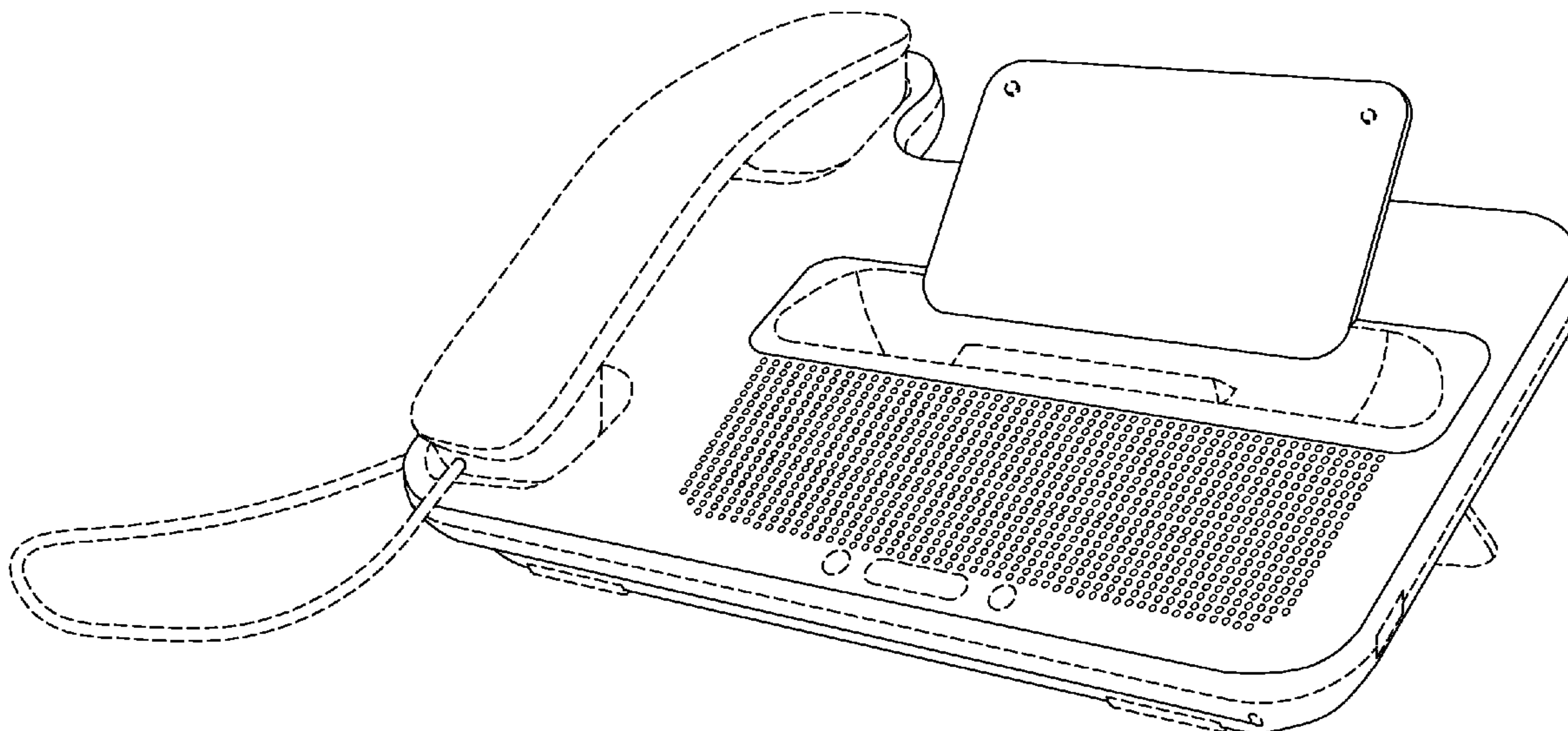
U.S. PATENT DOCUMENTS

D410,005 S * 5/1999 Landry et al. D14/151
6,130,521 A * 10/2000 Collins et al. 320/115
D442,141 S 5/2001 Ikenaga
6,290,534 B1 * 9/2001 Sadler 439/534
D469,097 S 1/2003 Liu
D472,900 S * 4/2003 Matsumoto D14/447
6,545,864 B2 * 4/2003 Davis, IV 361/679.55
7,145,603 B2 12/2006 Whitby et al.
D540,802 S 4/2007 Hussaini et al.
D554,107 S 10/2007 Calco et al.
D561,182 S * 2/2008 Jenkins et al. D14/253
D575,263 S * 8/2008 Brown et al. D14/151

FIG. 1 is a front perspective view of a docking station accord-
ing to the present invention;
FIG. 2 is a rear perspective view thereof;
FIG. 3 is a front view thereof;
FIG. 4 is a rear view thereof;
FIG. 5 is a top view thereof;
FIG. 6 is a bottom view thereof;
FIG. 7 is a right side view thereof;
FIG. 8 is a left side view thereof; and,
FIG. 9 is a front view thereof showing a tablet computer
device seated therein.

Broken lines shown in the drawings illustrate portions of the
docking station and form no part of the claimed design.

1 Claim, 9 Drawing Sheets



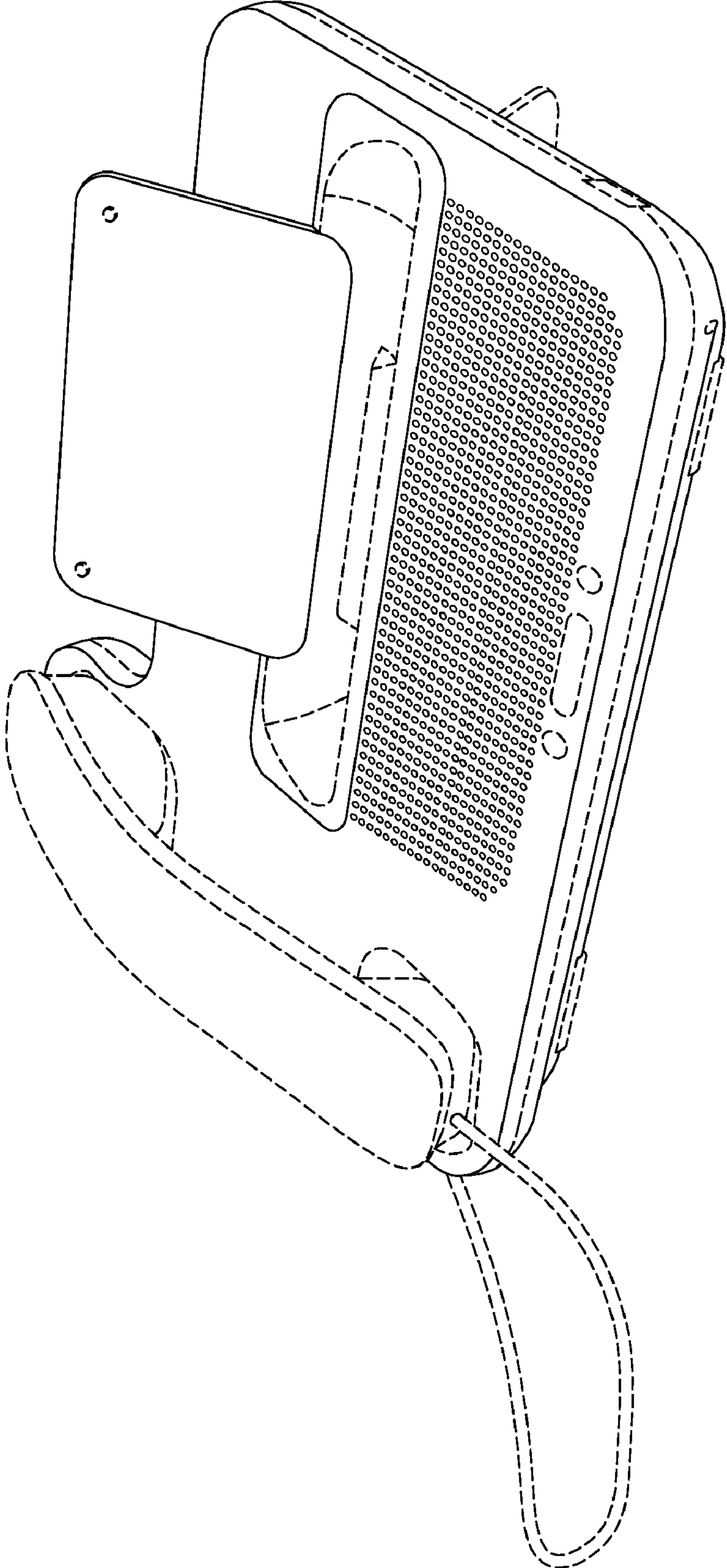


FIG.1

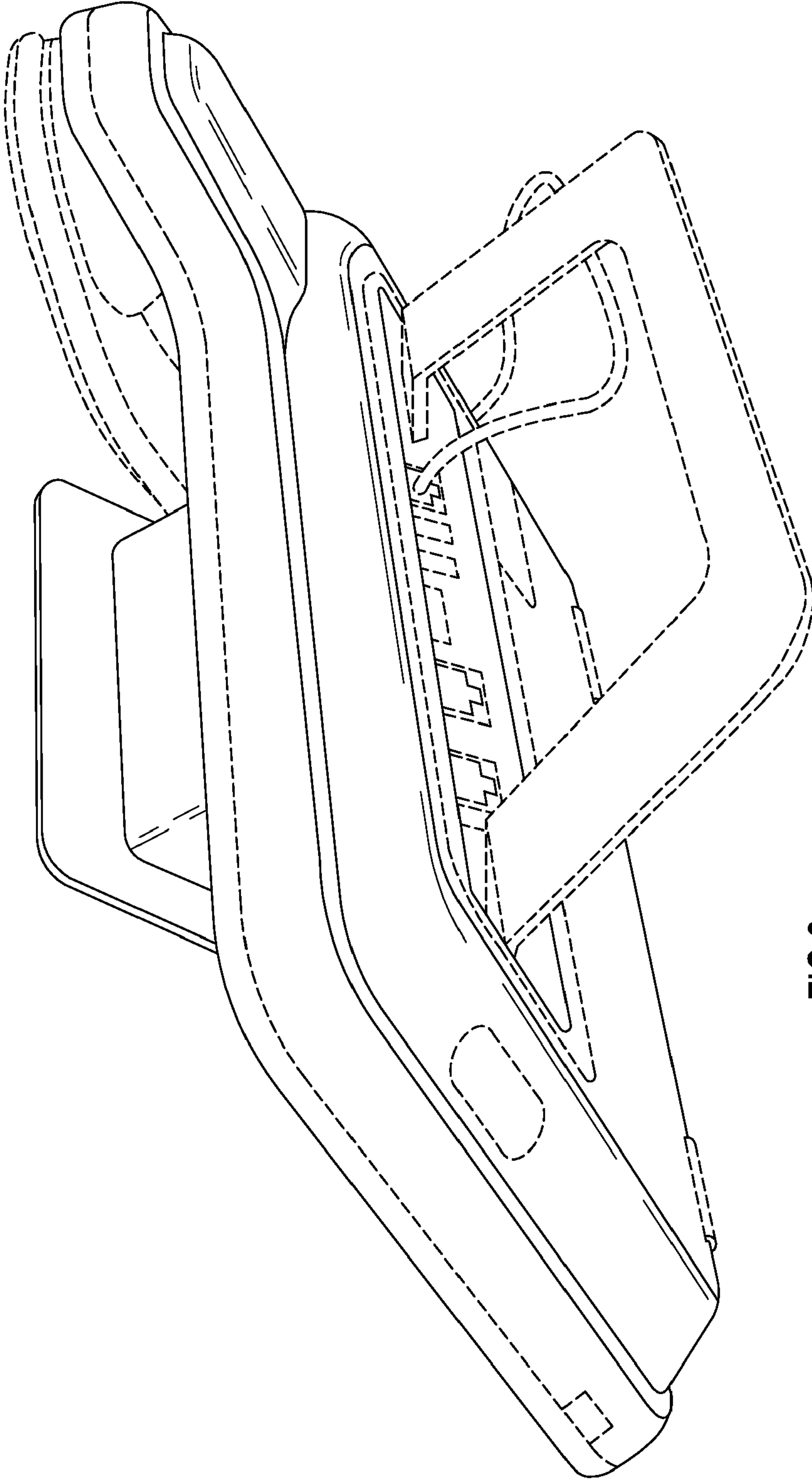


FIG.2

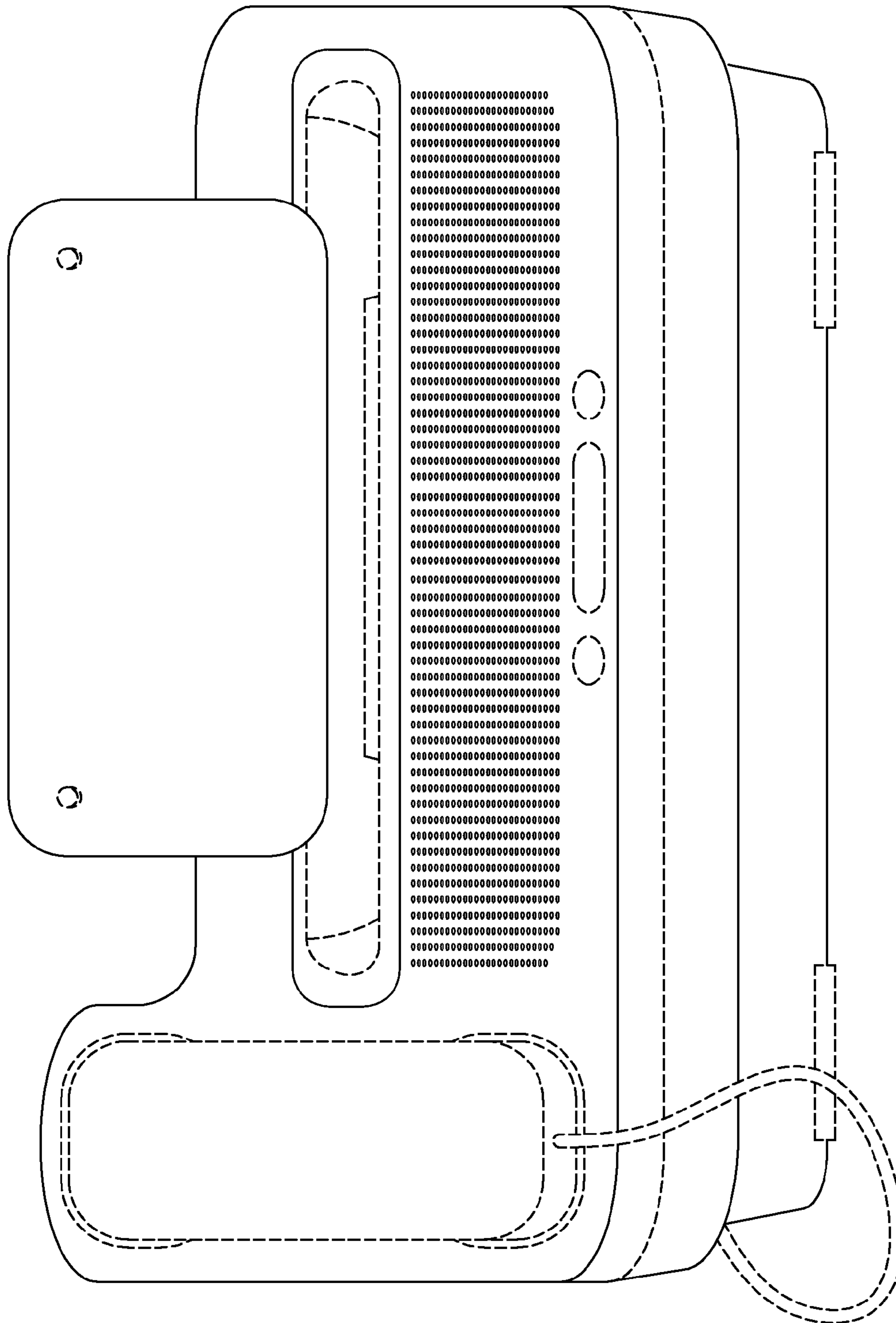


FIG.3

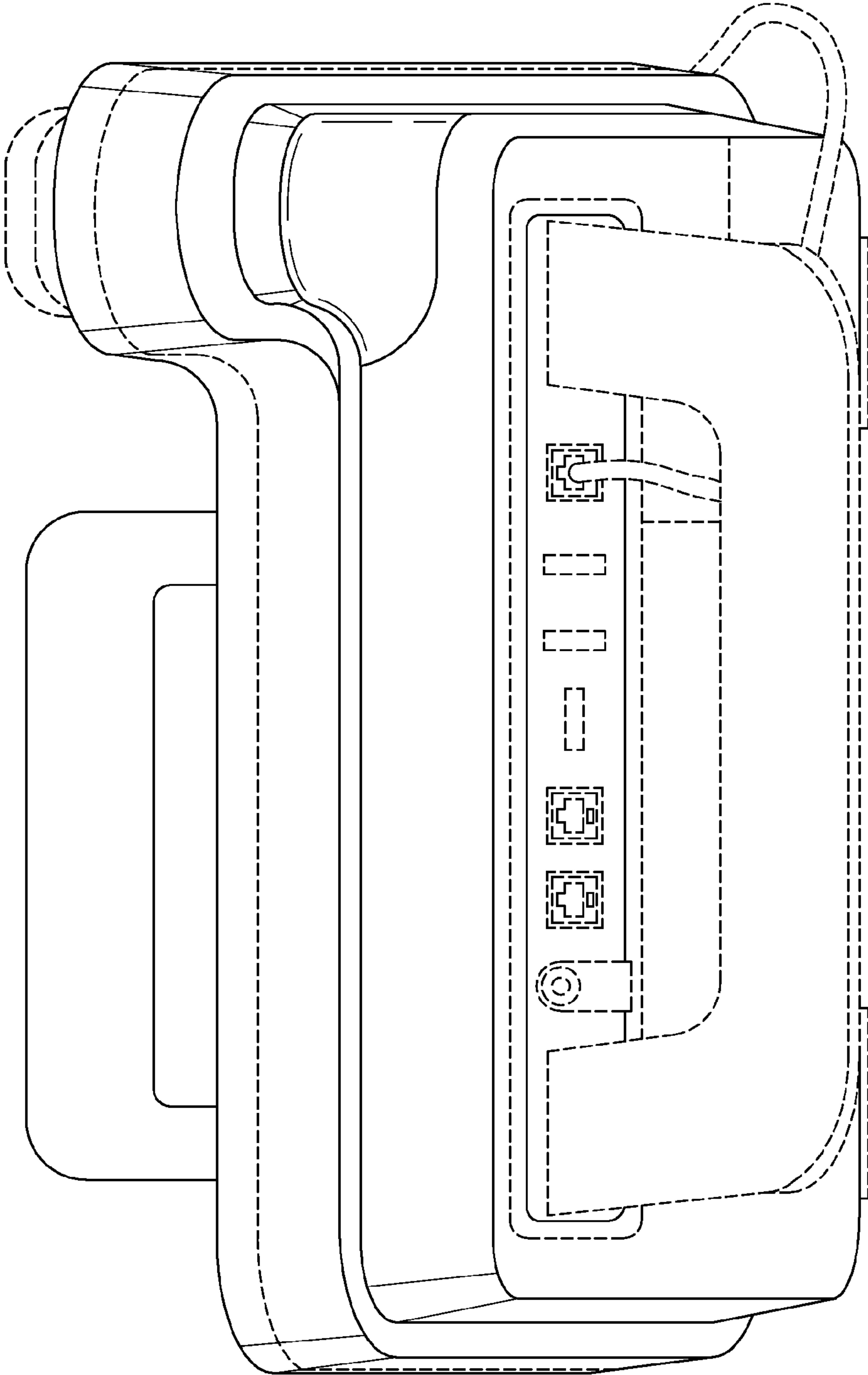


FIG.4

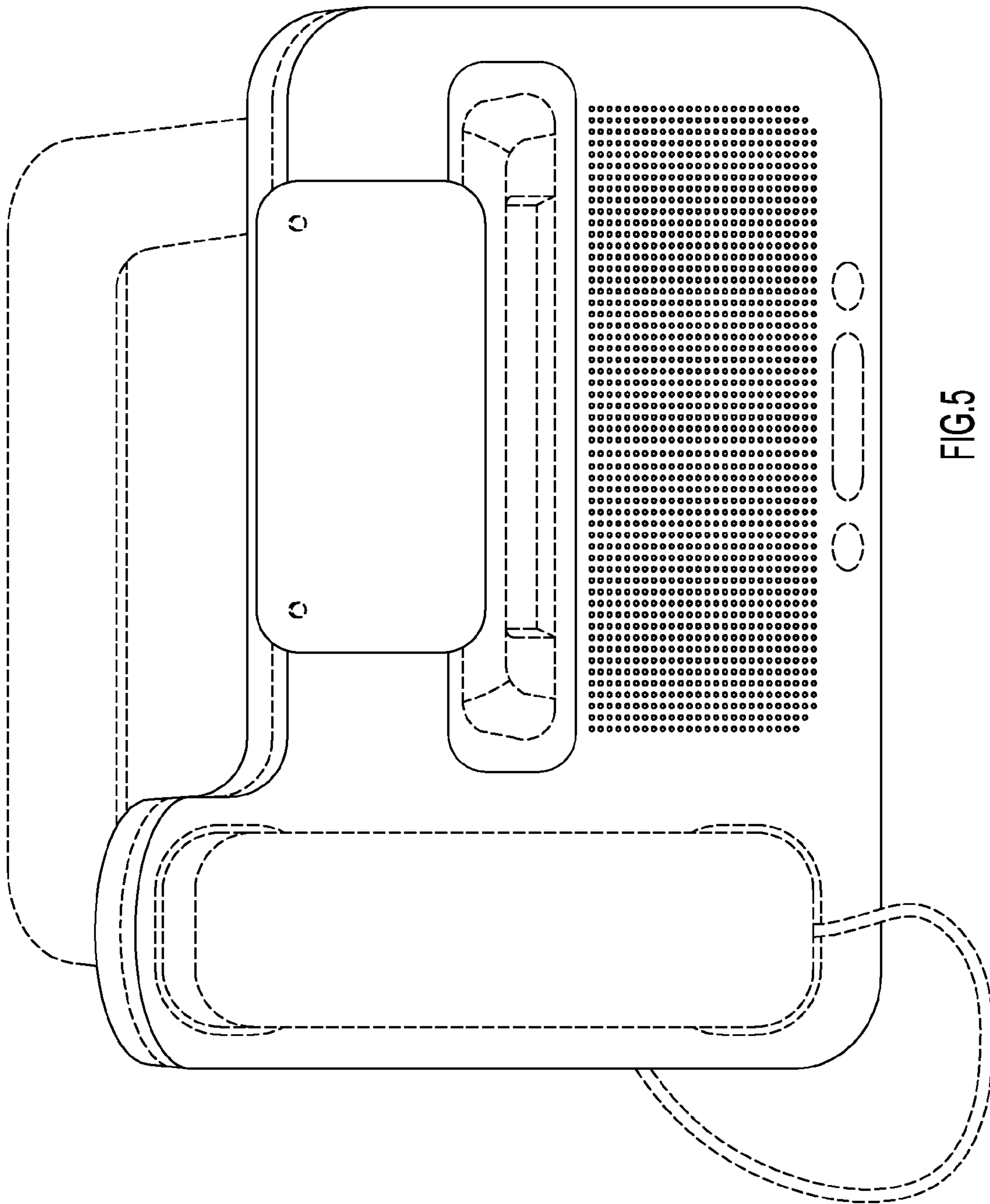


FIG. 5

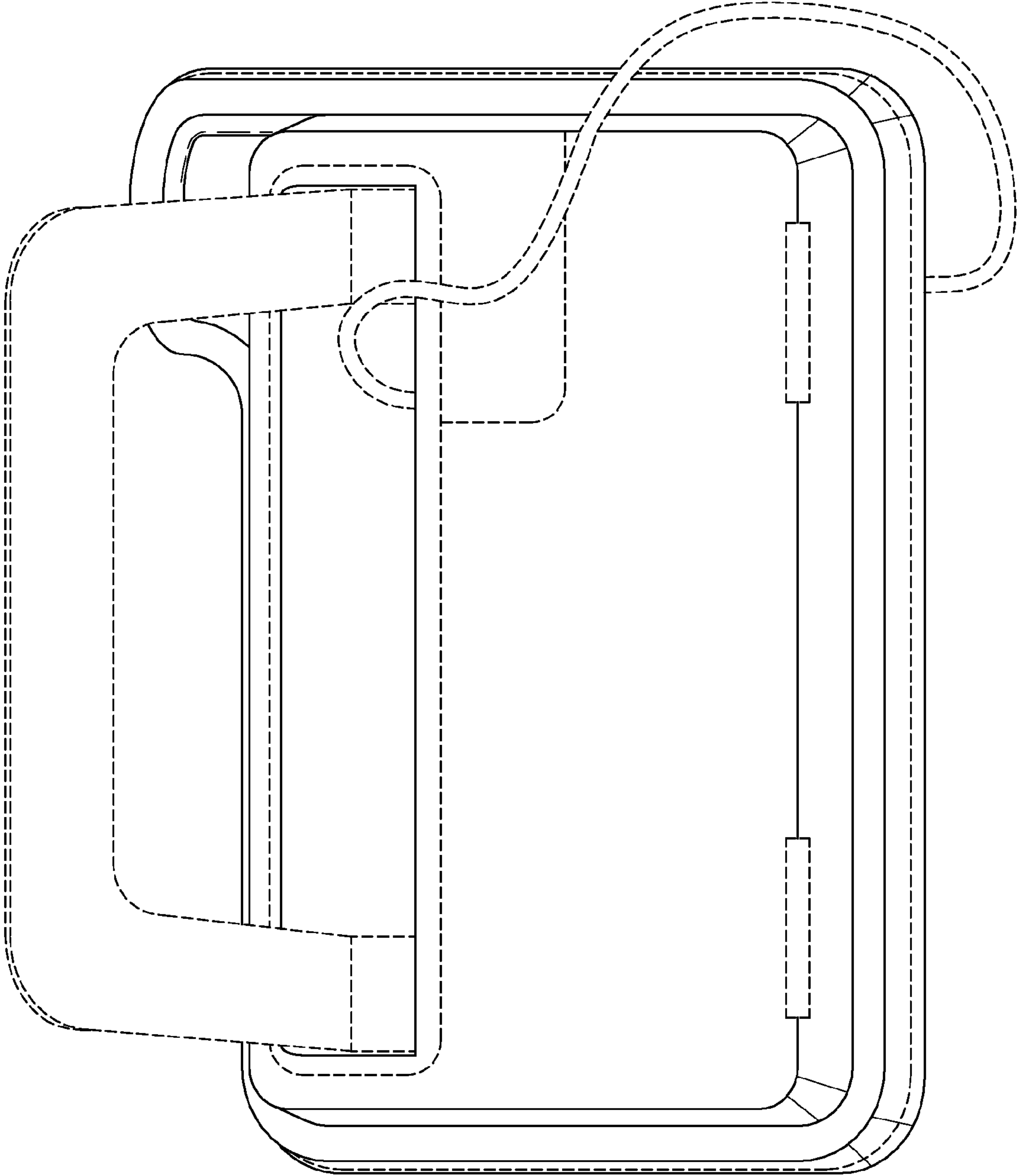


FIG.6

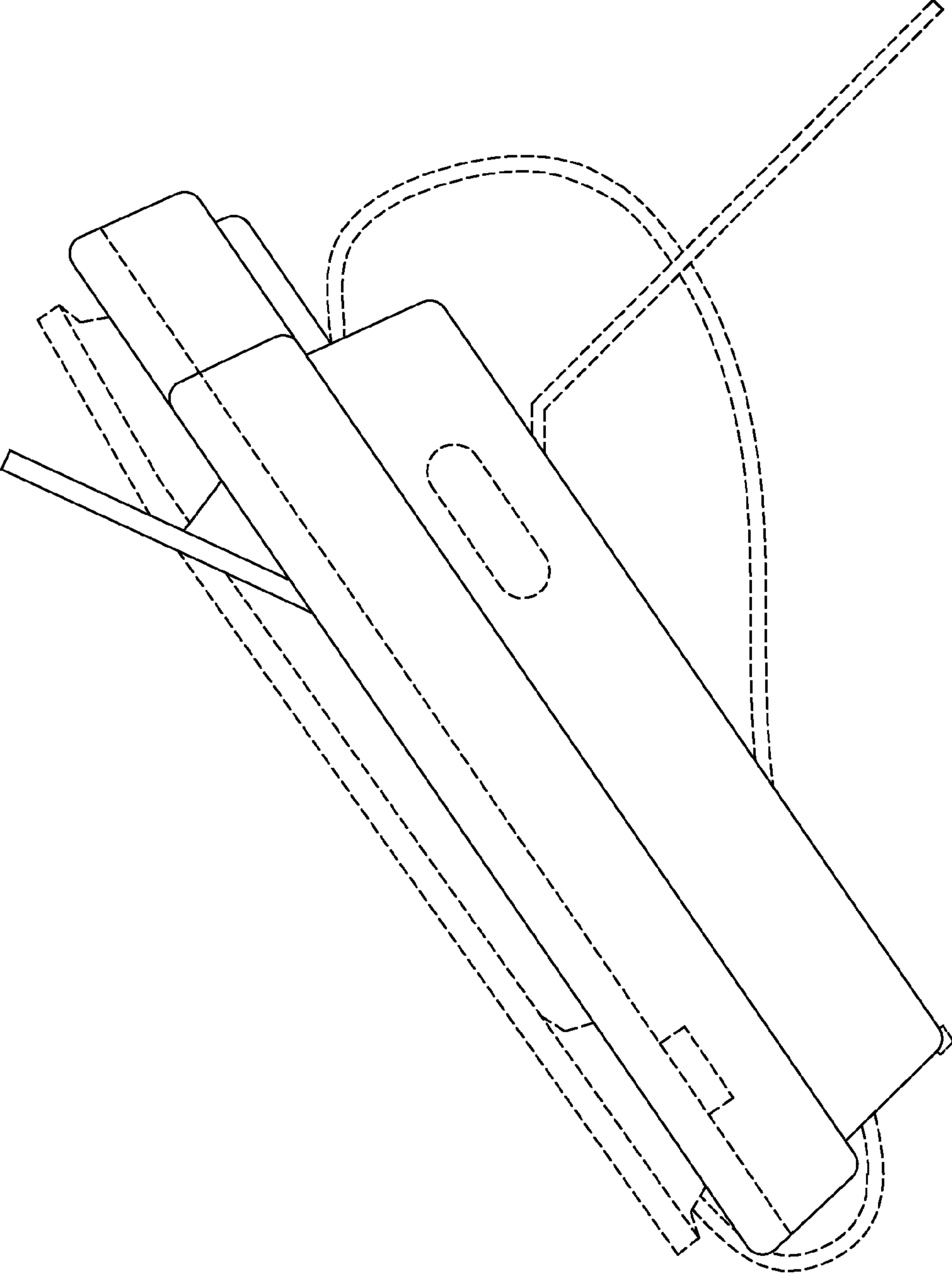


FIG.7

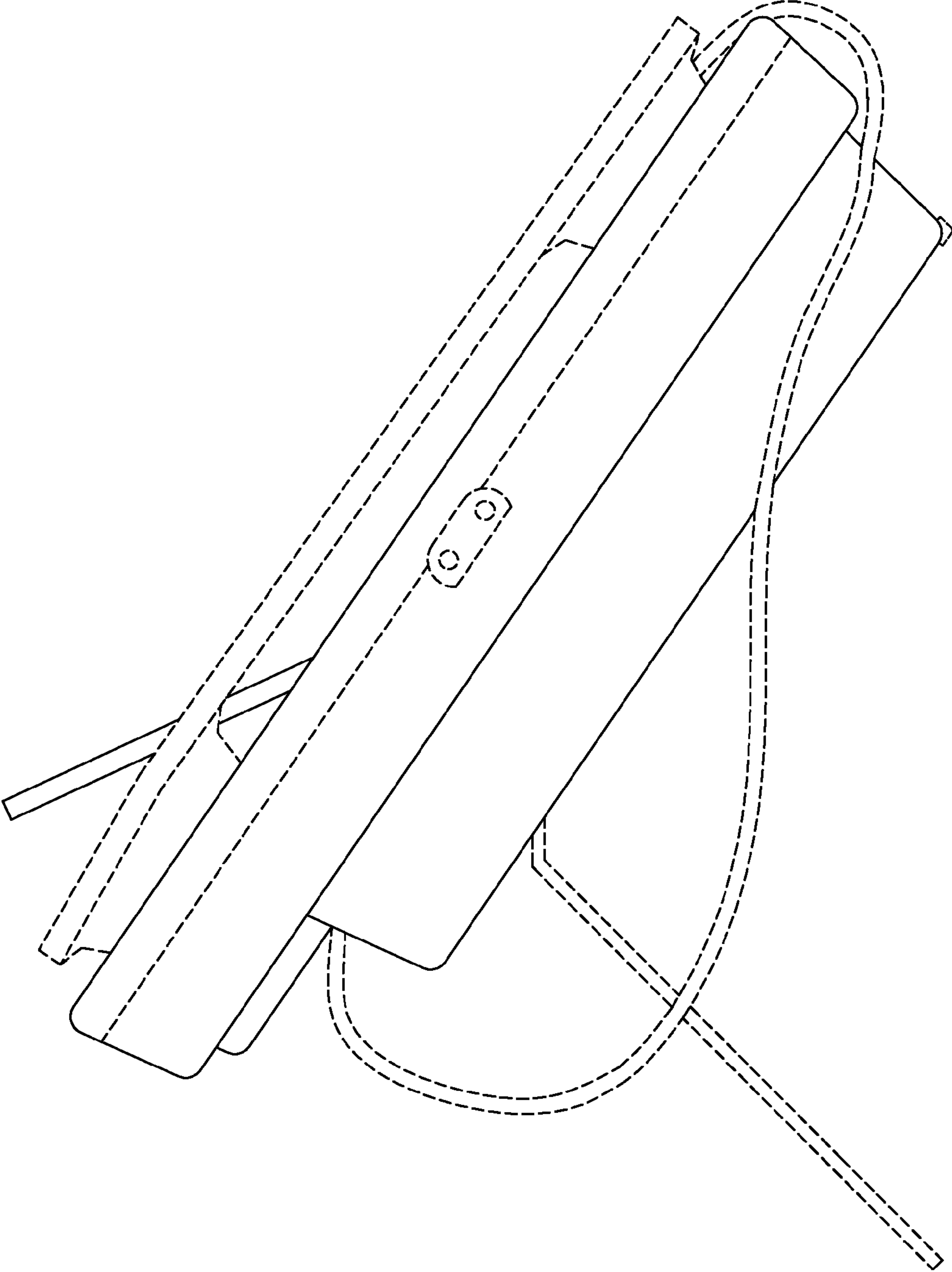


FIG.8

FIG.9

