

US00D652037S

(12) **United States Design Patent**  
**Adema et al.**

(10) **Patent No.:** **US D652,037 S**  
(45) **Date of Patent:** **\*\* Jan. 10, 2012**

(54) **DISPLAY UNIT**

(75) Inventors: **Dan Adema**, Ontario (CA); **Bryan Hemphill**, Ontario (CA); **Les Hirst**, Ontario (CA)

(73) Assignee: **Christie Digital Systems USA, Inc.**, Cypress, CA (US)

(\*\*) Term: **14 Years**

(21) Appl. No.: **29/378,904**

(22) Filed: **Nov. 11, 2010**

(51) **LOC (9) Cl.** ..... **14-02**

(52) **U.S. Cl.** ..... **D14/371**

(58) **Field of Classification Search** ..... D14/371-376, D14/125-129, 336, 337, 306; D6/308, 311; 345/104, 156, 173, 174, 901-905; 348/180, 348/184, 325, 739; 361/679.08, 679.23; 349/1, 2, 11, 58; 248/917-924, 371; 341/12  
See application file for complete search history.

(56) **References Cited**

**U.S. PATENT DOCUMENTS**

D312,452 S \* 11/1990 Takehara ..... D14/371  
5,432,720 A \* 7/1995 Lucente et al. .... 361/679.27

5,441,414 A \* 8/1995 Chretien ..... 434/307 R  
D434,033 S \* 11/2000 Ho ..... D14/337  
6,300,980 B1 \* 10/2001 McGraw et al. .... 348/552  
D536,337 S \* 2/2007 Chuang ..... D14/336  
D609,658 S \* 2/2010 Kim et al. .... D14/126

\* cited by examiner

*Primary Examiner* — Freda S Nunn

(74) *Attorney, Agent, or Firm* — Staas & Halsey LLP

(57) **CLAIM**

The ornamental design for a display unit, as shown.

**DESCRIPTION**

FIG. 1 is a perspective view of the display unit showing our new design;  
FIG. 2 is a front elevational view thereof;  
FIG. 3 is a top plan view thereof  
FIG. 4 is a rear elevational view thereof;  
FIG. 5 is a bottom plan view thereof;  
FIG. 6 is a right side elevational view thereof; and,  
FIG. 7 is a left side elevational view thereof.  
The portions of the display unit shown in broken lines form no part of the claimed design.

**1 Claim, 7 Drawing Sheets**

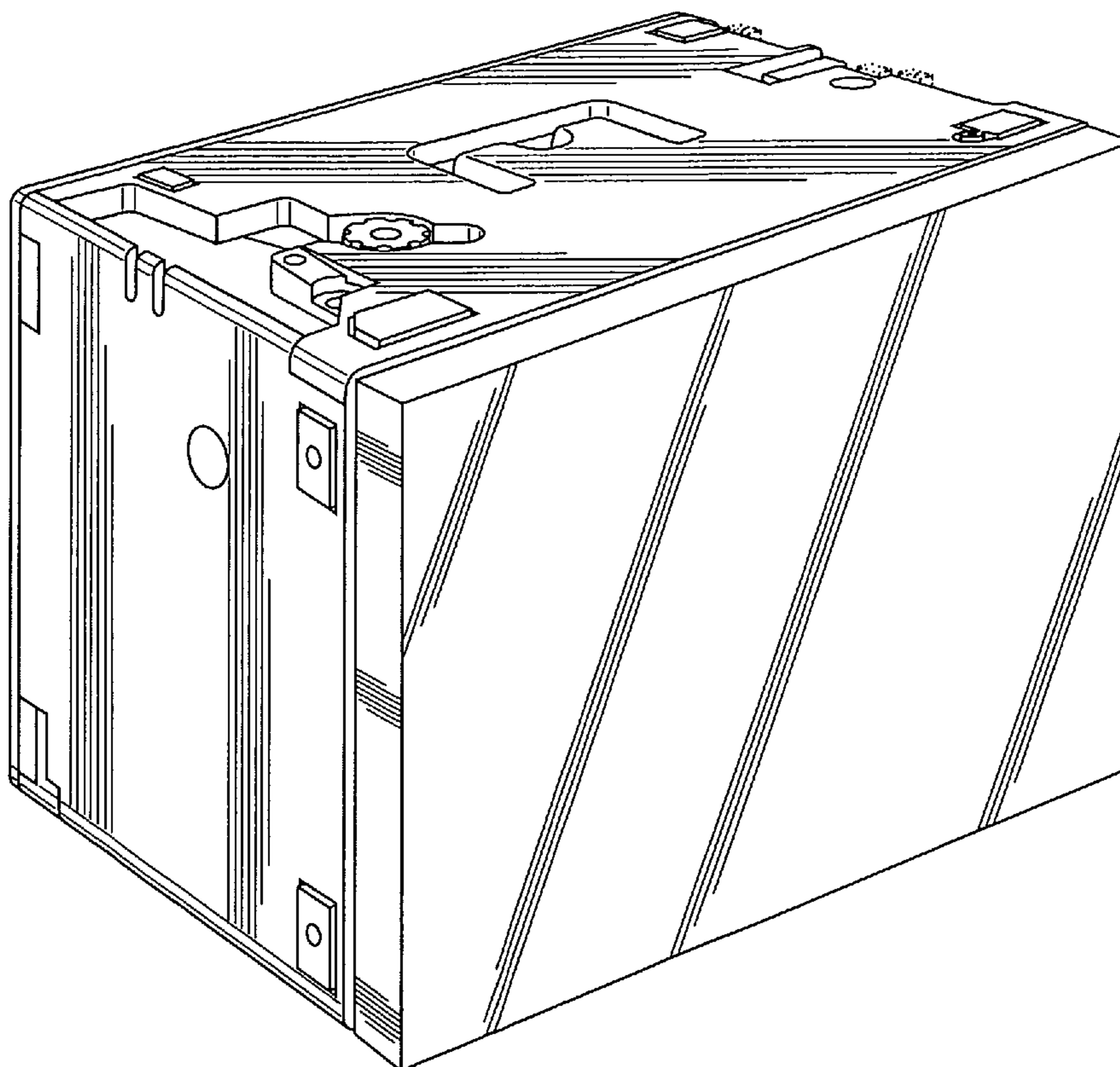


Fig. 1

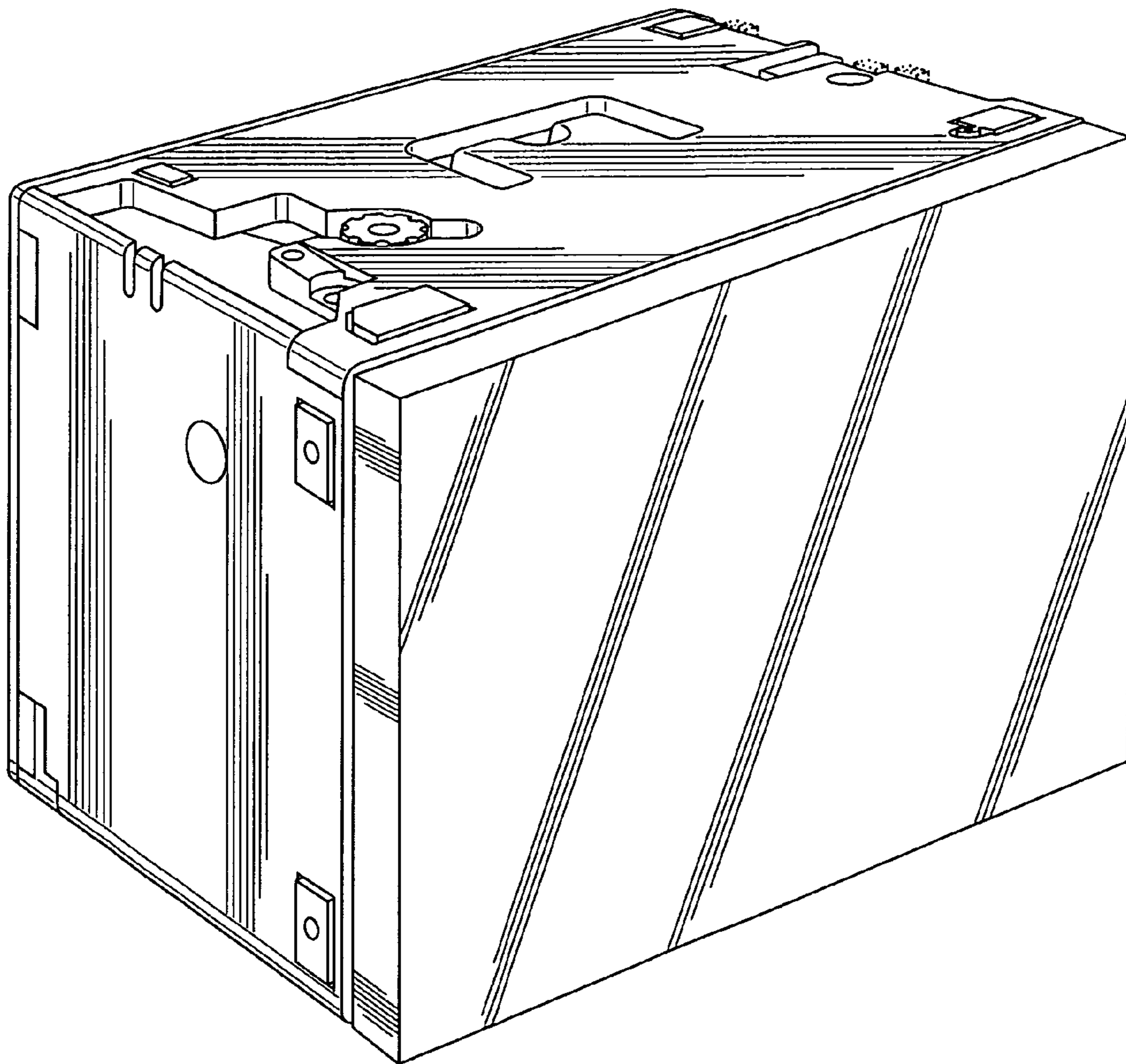


Fig. 2

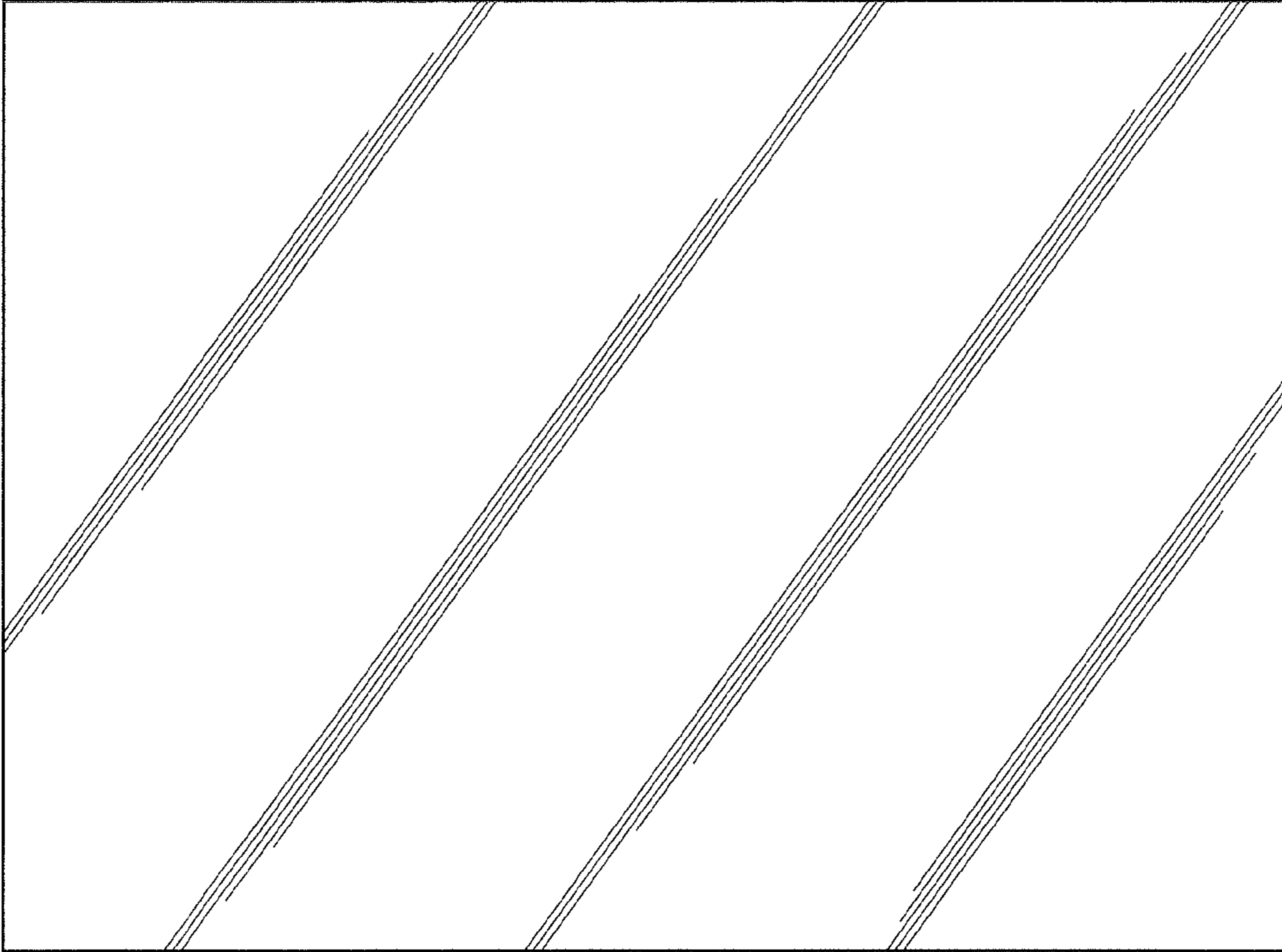


Fig. 3

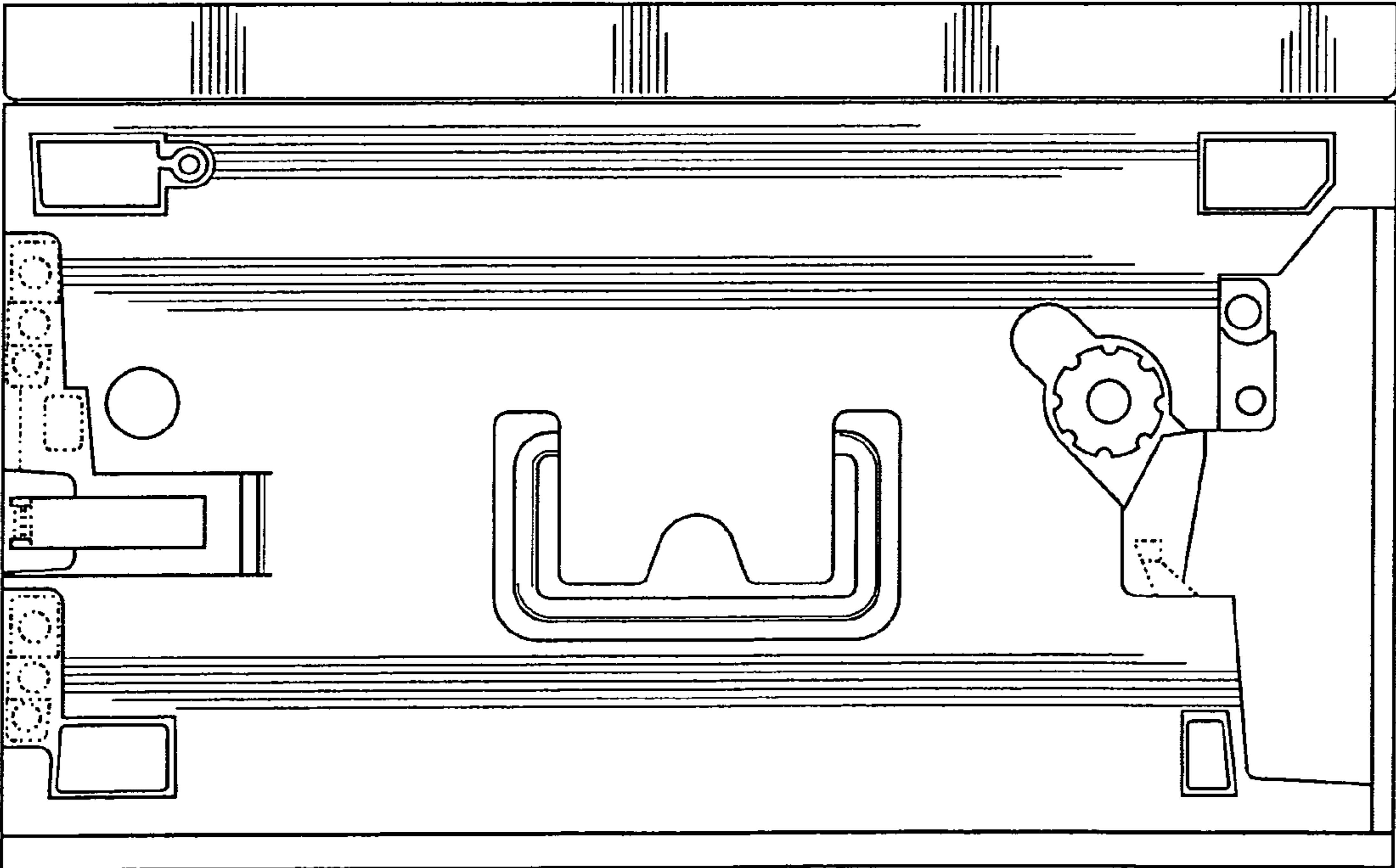


Fig. 4

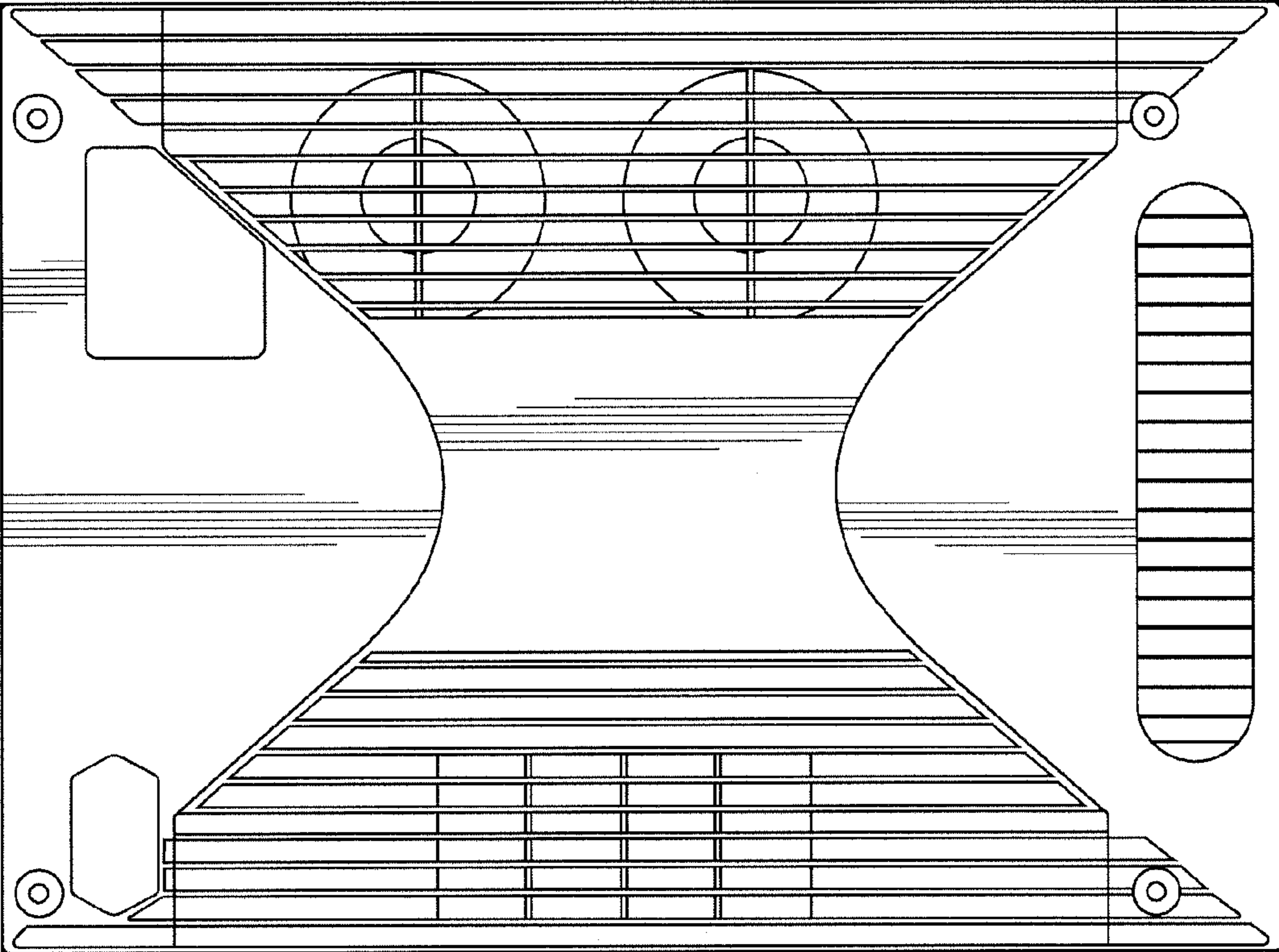


Fig. 5

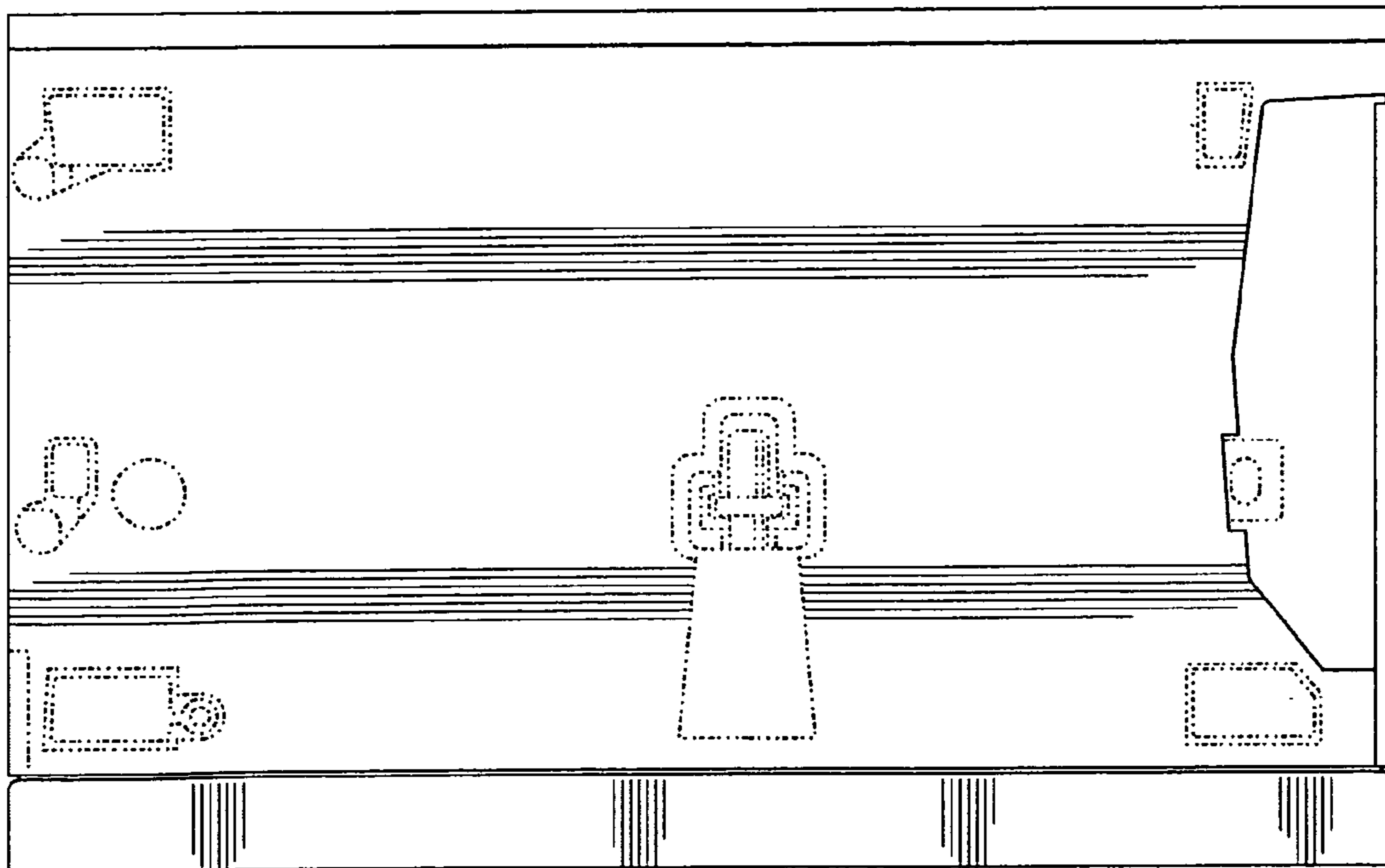


Fig. 6

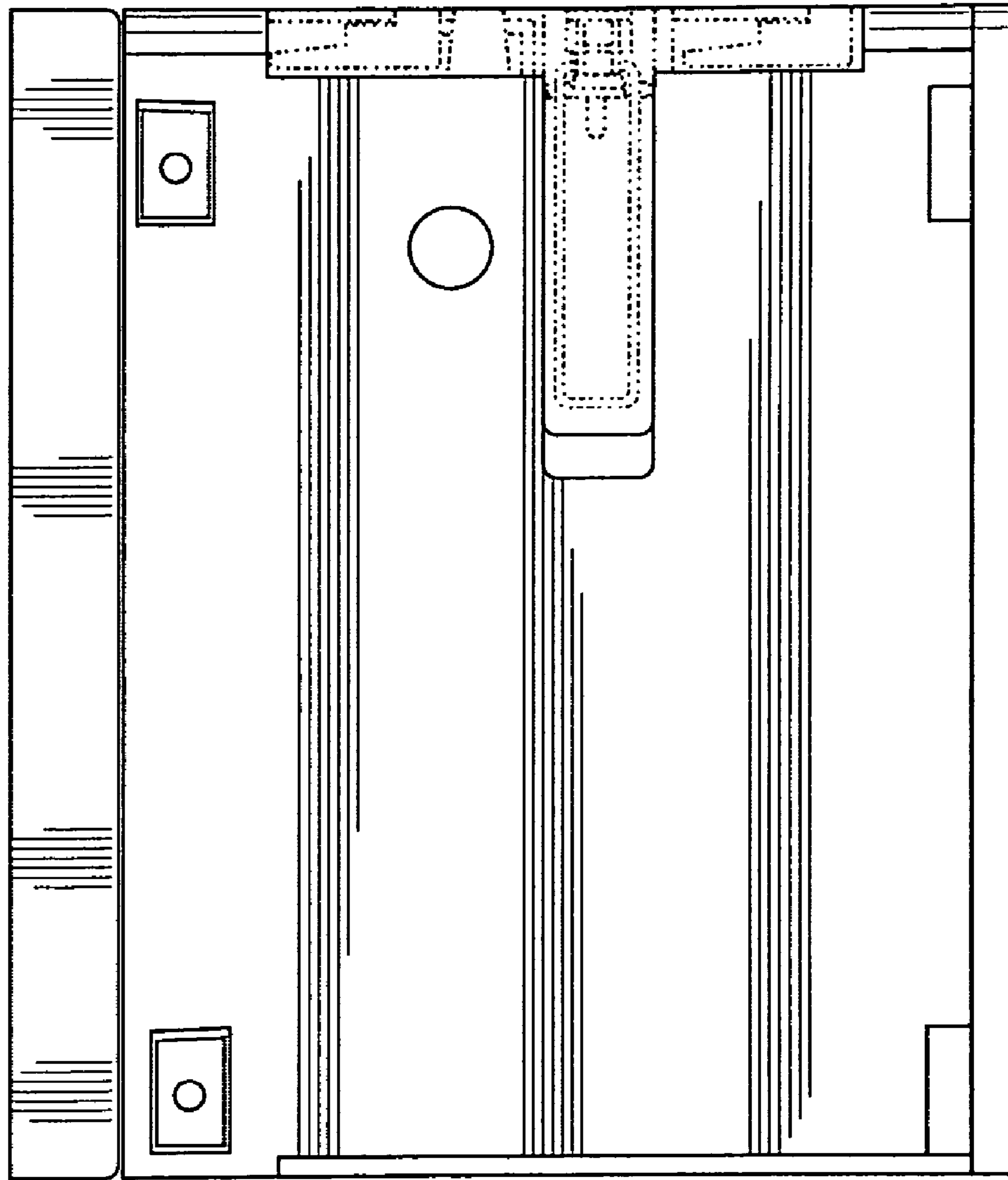


Fig. 7

