



US00D652036S

(12) **United States Design Patent**
Huang

(10) **Patent No.:** **US D652,036 S**
(45) **Date of Patent:** **** Jan. 10, 2012**

(54) **PASSIVE OPTICAL NETWORK GATEWAY**

(75) Inventor: **Chih-Hua Huang**, Shulin (TW)

(73) Assignee: **Askey Computer Corp.** (TW)

(**) Term: **14 Years**

(21) Appl. No.: **29/379,963**

(22) Filed: **Nov. 29, 2010**

(30) **Foreign Application Priority Data**

Oct. 29, 2010 (TW) 99305555

(51) **LOC (9) Cl.** **14-02**

(52) **U.S. Cl.** **D14/358; D14/240**

(58) **Field of Classification Search** D14/300-302,
D14/313, 314, 341, 348-370, 383, 385, 432,
D14/435, 436, 496, 125, 135, 137, 155, 240-242,
D14/299; D3/201, 273; D18/56; D10/65,
D10/75, 78; D13/103, 149, 162, 184, 199;
361/679.31, 679.33, 679.4, 752; 711/100,
711/115

See application file for complete search history.

(56) **References Cited**

U.S. PATENT DOCUMENTS

D130,616 S *	12/1941	Sears	D13/103
D288,788 S *	3/1987	Richard	D10/68
D372,017 S *	7/1996	Suematsu et al.	D13/110
D401,568 S *	11/1998	Alden et al.	D13/184
D425,902 S *	5/2000	Rathbun et al.	D14/240
D431,790 S *	10/2000	Chiang	D10/78
6,147,877 A *	11/2000	Strandberg et al.	361/784
D457,147 S *	5/2002	Bradley	D13/184
D472,555 S *	4/2003	Tomino	D14/433
D509,214 S *	9/2005	Chung	D14/240
7,134,883 B2 *	11/2006	Werner et al.	439/76.1

D555,603 S *	11/2007	Pape et al.	D13/162
D580,931 S *	11/2008	Chang et al.	D14/356
D601,551 S *	10/2009	Ray et al.	D14/240
D603,864 S *	11/2009	Borislow	D14/435.1
7,843,684 B2 *	11/2010	Lu et al.	361/679.47
D638,372 S *	5/2011	Clymer et al.	D13/160
2005/0210168 A1 *	9/2005	Chen et al.	710/62

OTHER PUBLICATIONS

2 Fiber 10-100 Base WDM External media converter ,media con-
verter, fiber media converter, [online] Posted Jun. 10, 2009 [retrieved
on Nov. 9, 2011]. Retrieved from the Internet <URL: http://www.bombayharbor.com/Product/16594/2_Fiber_10_100_Base_Wdm_External_Media_Converter.html>.*
OB1001/OB1004 | Tecom, [online], [retrieved on Nov. 10, 2011].
Retrieved from the Internet <URL: <http://www.tecom.com.tw/en/index.php/product-solutions/carrier/broadband-access/OB1001-OB1004-GPON-ONT/>>.*

* cited by examiner

Primary Examiner — Karen E Kearney

(74) *Attorney, Agent, or Firm* — Schmeiser, Olsen & Watts, LLP

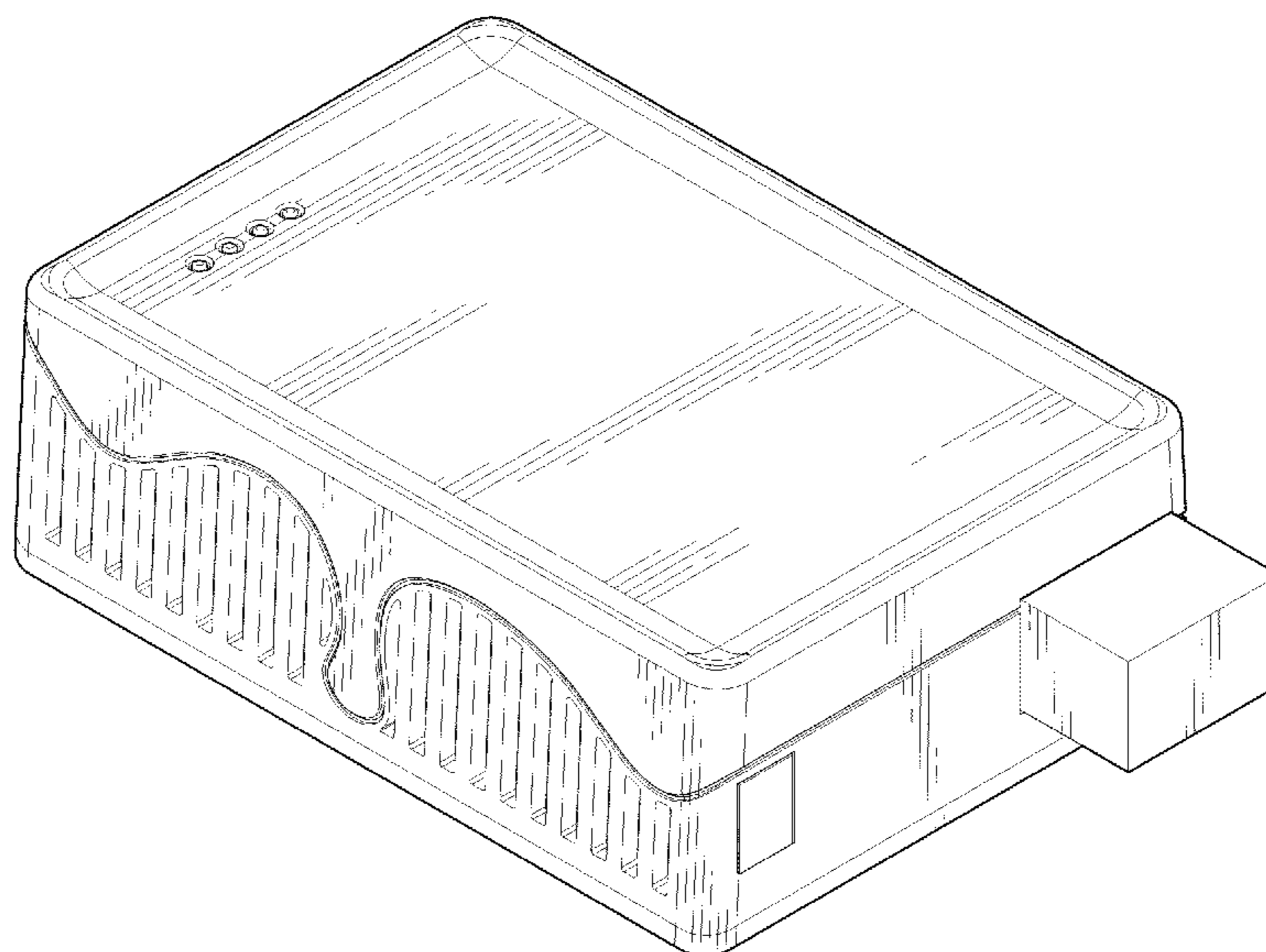
(57) **CLAIM**

The ornamental design for a passive optical network gateway, as shown and described.

DESCRIPTION

FIG. 1 is a perspective view of a passive optical network gateway showing my new design;
FIG. 2 is a front elevation view thereof;
FIG. 3 is a rear elevation view thereof;
FIG. 4 is a left side elevation view thereof;
FIG. 5 is a right side elevation view thereof;
FIG. 6 is a top plan view thereof; and,
FIG. 7 is a bottom plan view thereof.

1 Claim, 5 Drawing Sheets



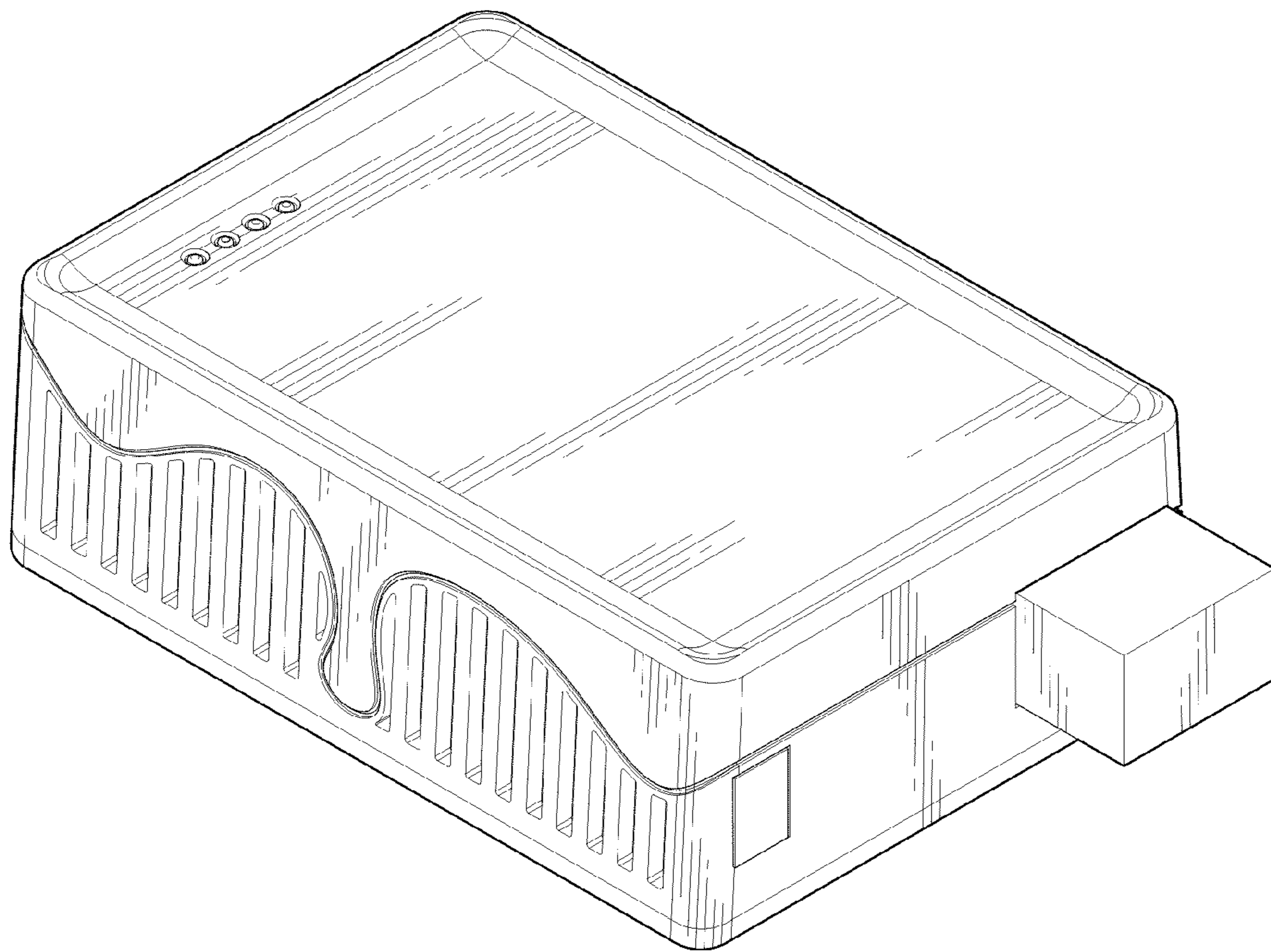


Fig. 1

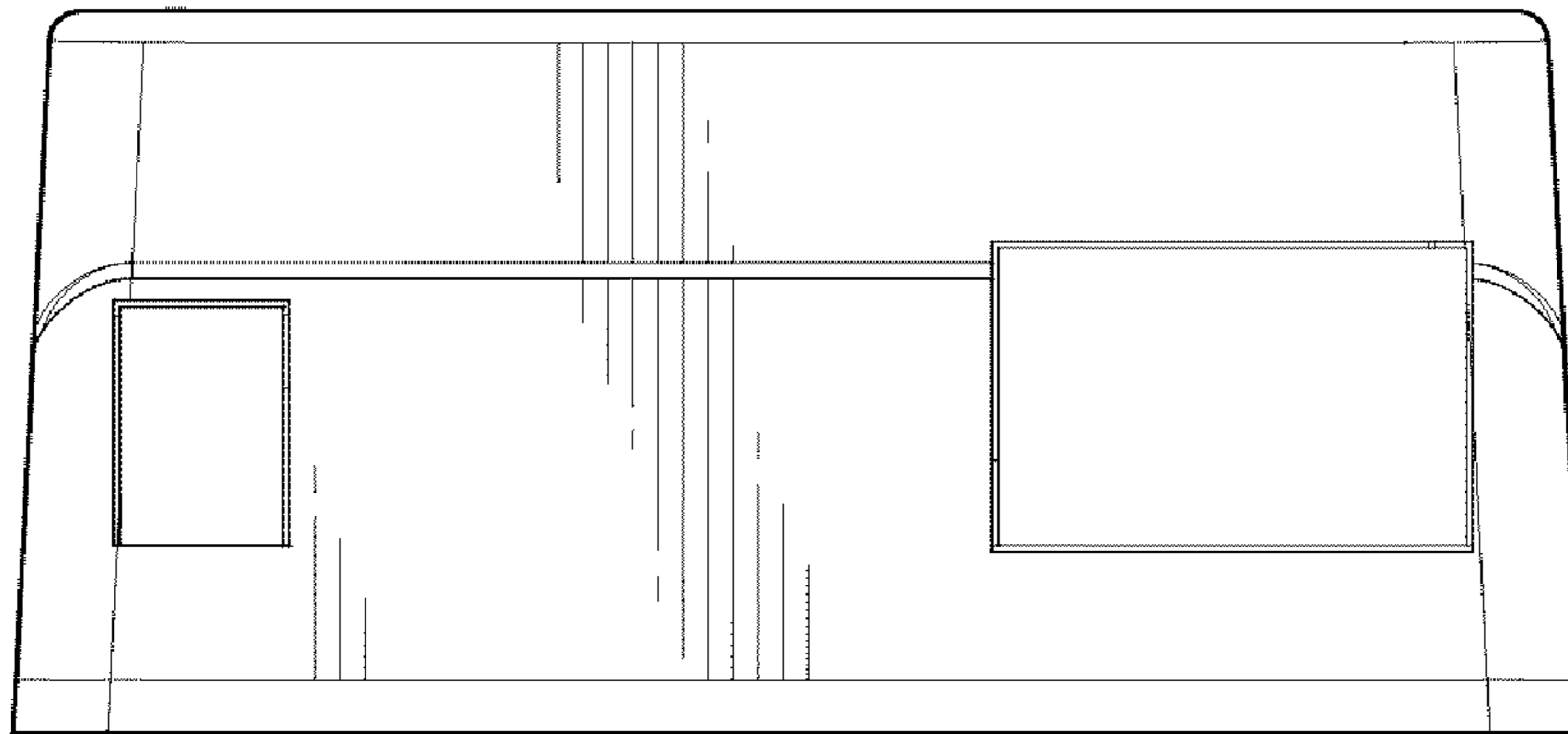


Fig. 2

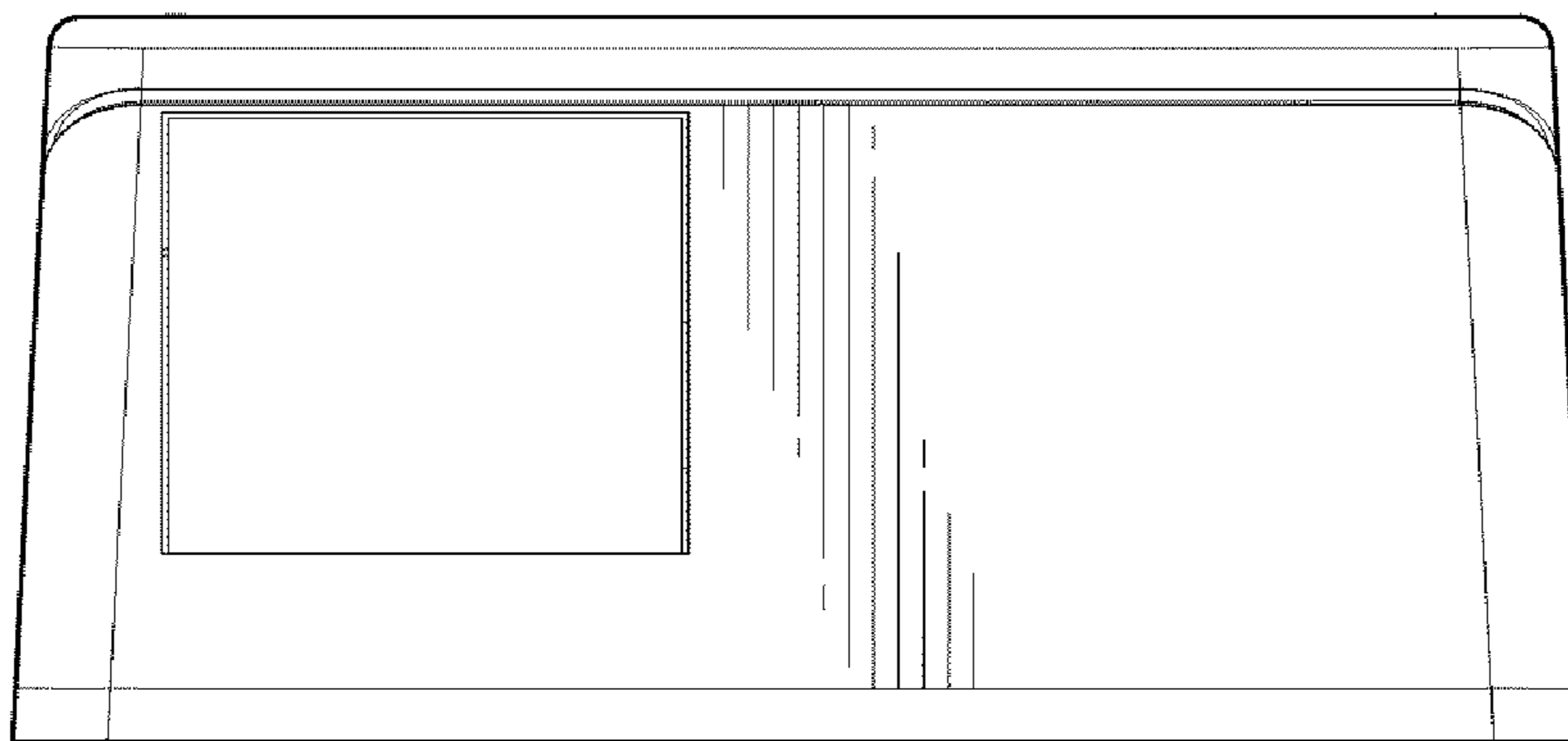


Fig. 3

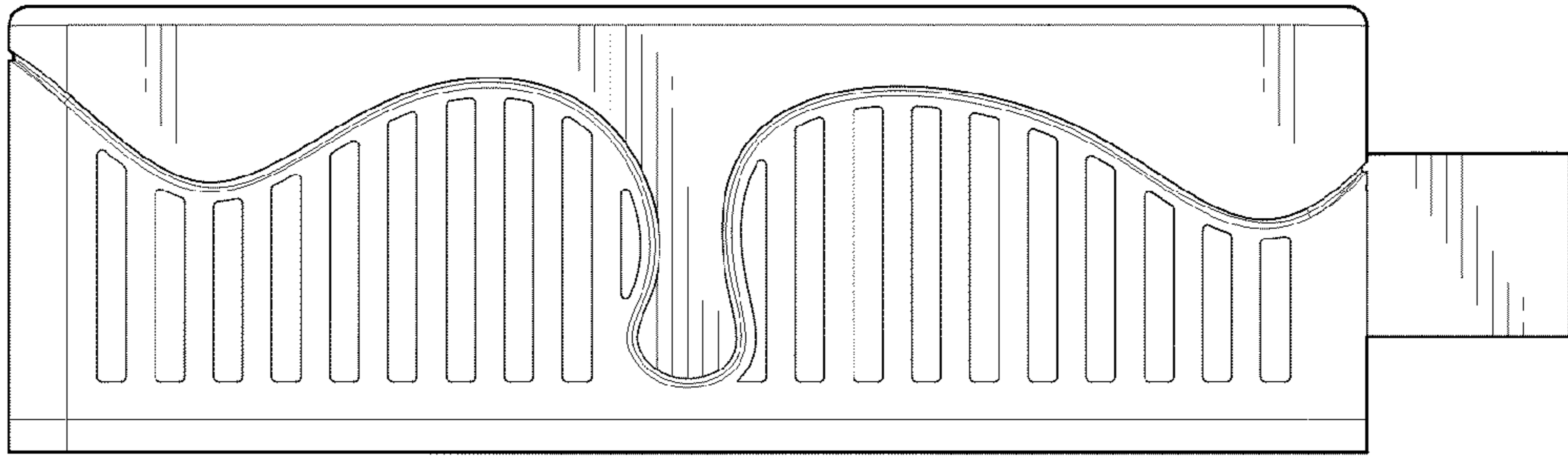


Fig. 4

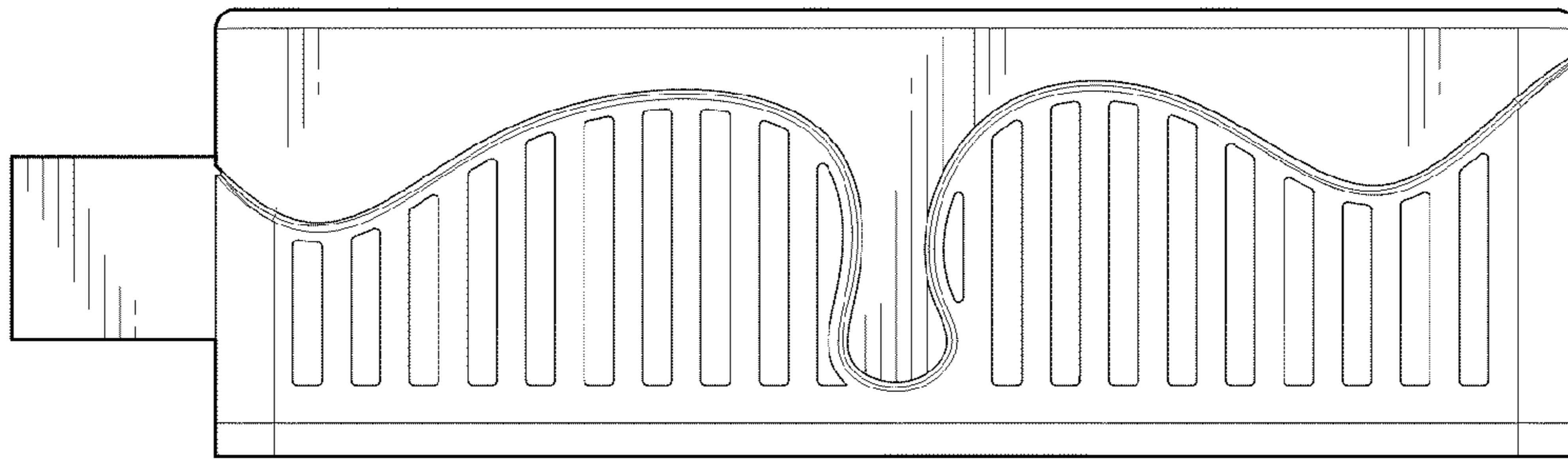


Fig. 5

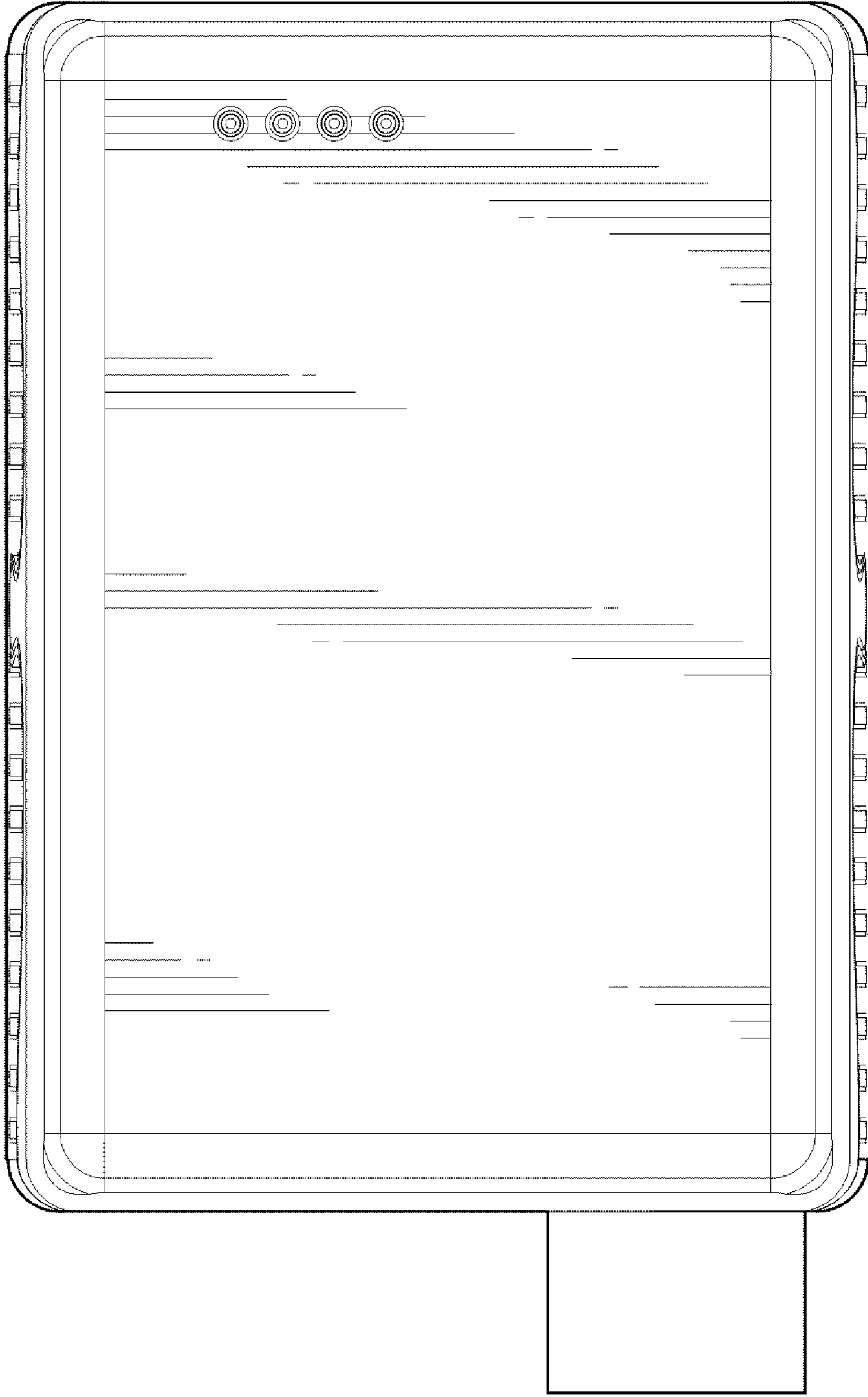


Fig. 6



Fig. . 7