



US00D652030S

(12) **United States Design Patent**
Dolack

(10) **Patent No.:** **US D652,030 S**

(45) **Date of Patent:** **** Jan. 10, 2012**

(54) **ARTICULATING MOUNT PORTION FOR USE WITH AUDIO/VISUAL DEVICES OR THE LIKE**

(75) Inventor: **Joseph Dolack**, Westmont, IL (US)

(73) Assignee: **Peerless Industries, Inc.**, Aurora, IL (US)

(**) Term: **14 Years**

(21) Appl. No.: **29/392,585**

(22) Filed: **May 24, 2011**

(51) **LOC (9) Cl.** **14-03**

(52) **U.S. Cl.** **D14/239**

(58) **Field of Classification Search** D14/125-134, D14/239, 371, 136, 374-377; D8/363, 373, D8/349, 394; 248/465, 917-924, 123.11; 348/825, 827, 836, 837, 838, 180, 184, 325, 348/739; 600/443; D6/477-479, 407, 474, D6/460, 461, 468; 312/7.2; 341/12; 345/87, 345/104, 133, 156, 168, 169, 173; 720/605, 720/669, 600, 655; 369/99, 197; 455/344-347; 349/1, 2, 11, 62; 108/59, 91, 92, 96; 211/40, 211/41.12, 42, 49.1, 50, 85.2, 90.04, 187, 211/190, 119.003, 134.15, 3, 87.01, 71.01
See application file for complete search history.

(56) **References Cited**

U.S. PATENT DOCUMENTS

D400,085 S	10/1998	Haskin
D488,708 S	4/2004	Lam et al.
D489,599 S	5/2004	Lam
D496,367 S	9/2004	Pfister
D505,858 S	6/2005	O'Keene
D506,205 S	6/2005	Boele
6,905,101 B1	6/2005	Dittmer
7,028,961 B1	4/2006	Dittmer et al.
7,152,836 B2	12/2006	Pfister et al.
7,178,775 B2	2/2007	Pfister et al.

(Continued)

OTHER PUBLICATIONS

U.S. Appl. No. 29/385,507, filed Feb. 15, 2011, Molter et al.

(Continued)

Primary Examiner — Raphael Barkai
Assistant Examiner — Randall Gholson
(74) *Attorney, Agent, or Firm* — Foley & Lardner LLP

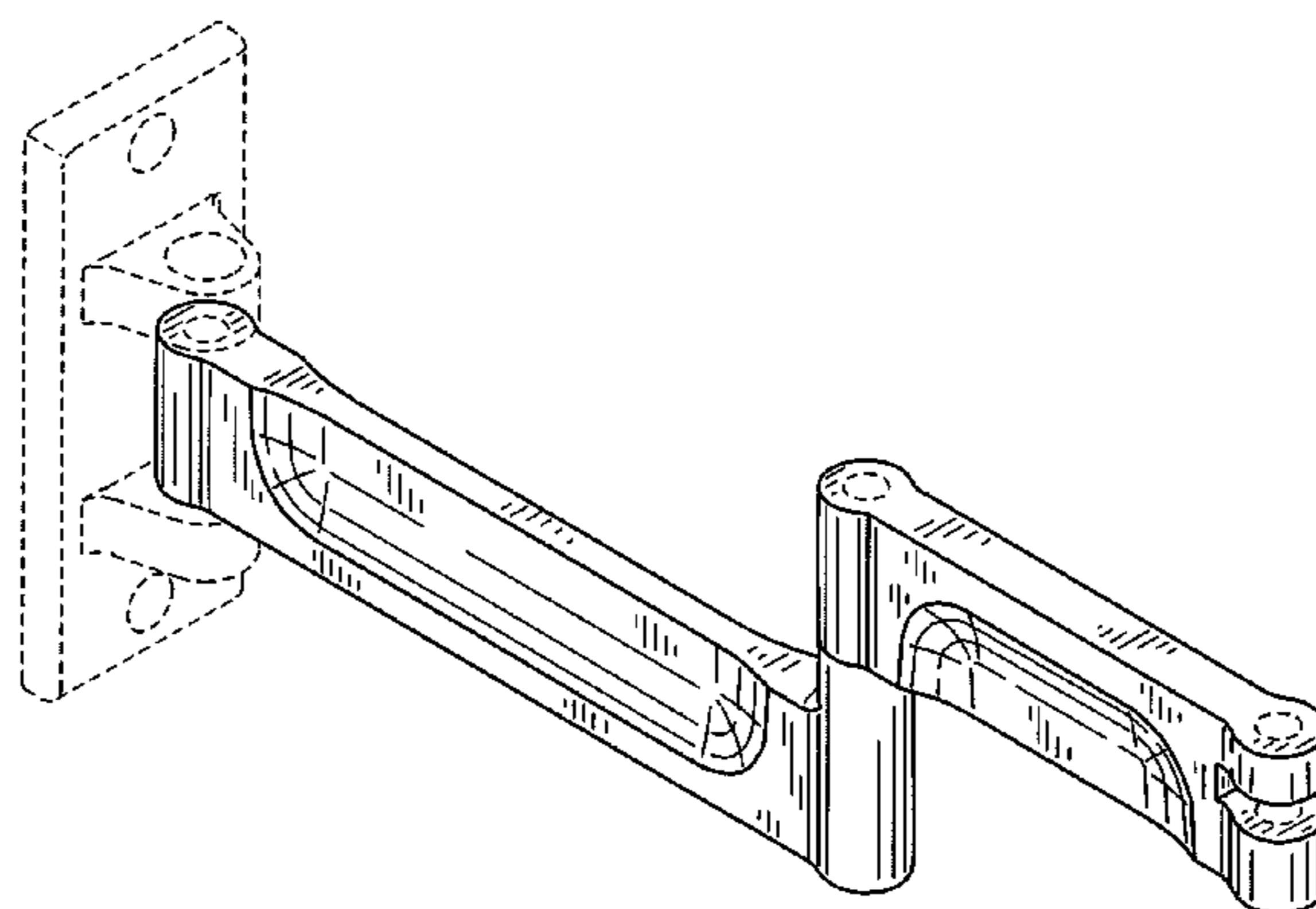
(57) **CLAIM**

I claim the ornamental design for an articulating mount portion for use with audio/visual devices or the like, as shown and described.

DESCRIPTION

FIG. 1 is a top perspective view of an articulating mount portion for use with audio/visual devices or the like showing my new design;
FIG. 2 is a left side elevational view thereof;
FIG. 3 is a right side elevational view thereof;
FIG. 4 is a top plan view thereof;
FIG. 5 is a bottom plan view thereof;
FIG. 6 is a front elevational view thereof;
FIG. 7 is a rear elevational view thereof;
FIG. 8 is a top perspective view of another embodiment of an articulating mount portion for use with audio/visual devices or the like showing my new design;
FIG. 9 is a left side elevational view thereof;
FIG. 10 is a right side elevational view thereof;
FIG. 11 is a top plan view thereof;
FIG. 12 is a bottom plan view thereof;
FIG. 13 is a front elevational view thereof;
FIG. 14 is a rear elevational view thereof;
FIG. 15 is a top perspective view of yet another embodiment of an articulating mount portion for use with audio/visual devices or the like showing my new design;
FIG. 16 is a left side elevational view thereof;
FIG. 17 is a right side elevational view thereof;
FIG. 18 is a top plan view thereof;
FIG. 19 is a bottom plan view thereof;
FIG. 20 is a front elevational view thereof; and,
FIG. 21 is a rear elevational view thereof.
The ornamental design which is claimed is shown in solid lines in the drawings. The broken lines in the drawings are for illustrative purposes only and form no part of the claimed design.

1 Claim, 12 Drawing Sheets



US D652,030 S

Page 2

U.S. PATENT DOCUMENTS

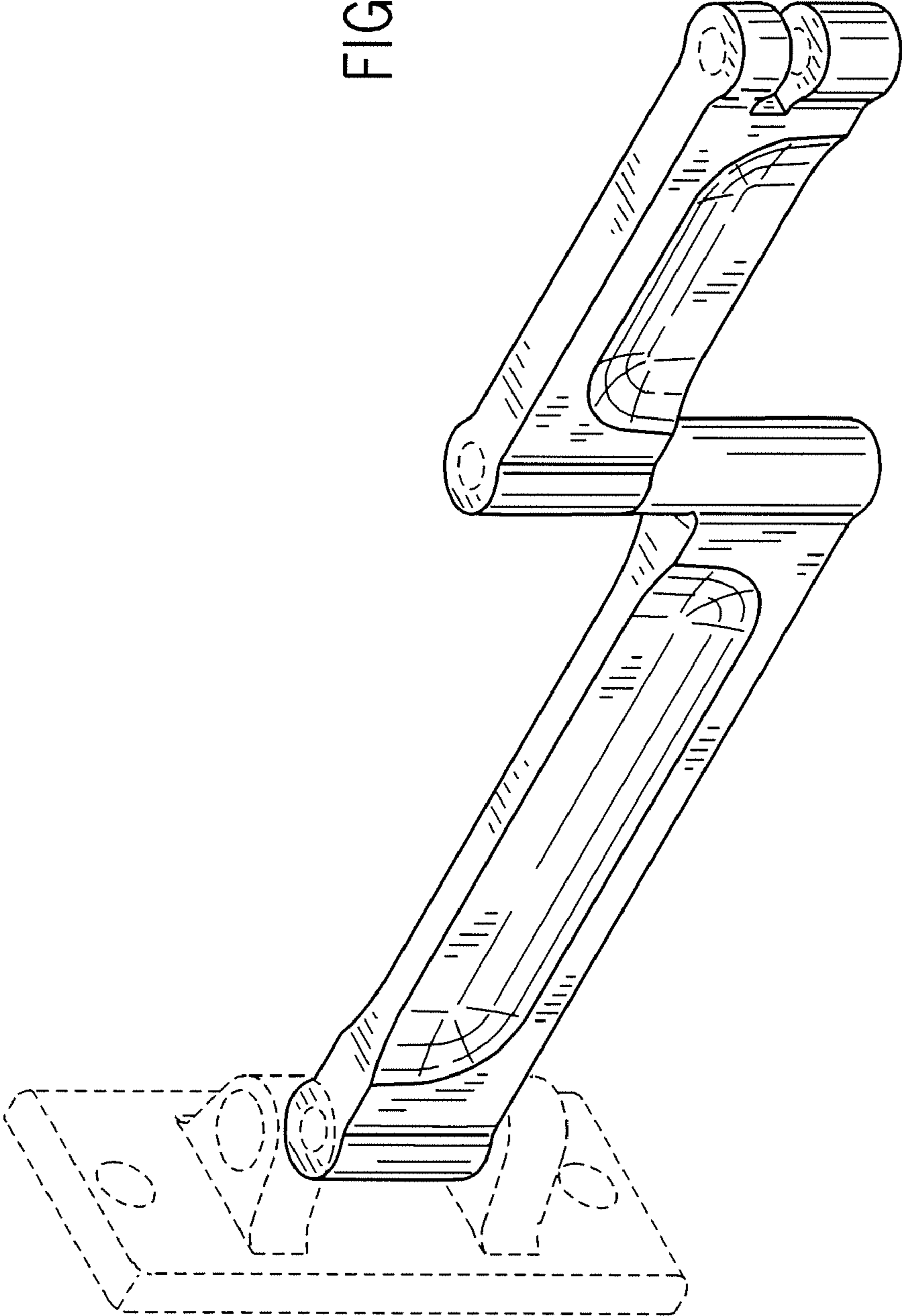
D543,210 S 5/2007 Stenhouse et al.
D543,211 S 5/2007 Petrick et al.
7,243,892 B2 7/2007 Pfister
D558,560 S 1/2008 Ciungan
D558,561 S 1/2008 Ciungan
D558,562 S 1/2008 Ciungan et al.
D558,563 S 1/2008 Ciungan
D558,564 S 1/2008 Ciungan
D559,087 S 1/2008 Ciungan
D559,088 S 1/2008 Ciungan
D562,113 S 2/2008 Ciungan et al.
7,380,760 B2 6/2008 Dittmer
D595,723 S 7/2009 Bures et al.
D623,177 S 9/2010 Molter et al.
D623,634 S 9/2010 Molter et al.
D623,635 S 9/2010 Molter et al.
D627,767 S 11/2010 Molter et al.
D630,197 S 1/2011 Molter et al.

D630,623 S 1/2011 Molter et al.
D631,038 S 1/2011 Molter et al.
D631,874 S 2/2011 Molter et al.
D631,876 S 2/2011 Molter et al.
D632,287 S 2/2011 Molter et al.
D633,484 S 3/2011 Molter et al.
D634,607 S 3/2011 Molter et al.
D634,739 S 3/2011 Molter et al.
D636,765 S 4/2011 Molter et al.
D640,672 S 6/2011 Molter et al.
D640,673 S 6/2011 Molter et al.
D640,675 S 6/2011 Molter et al.

OTHER PUBLICATIONS

U.S. Appl. No. 29/392,588, filed May 24, 2011, Dolack.
U.S. Appl. No. 29/392,589, filed May 24, 2011, Dolack.
U.S. Appl. No. 29/393,959, filed Jun. 10, 2011, Stemple.
U.S. Appl. No. 29/384,265, filed Jan. 28, 2011, Molter et al.
U.S. Appl. No. 29/385,534, filed Feb. 15, 2011, Molter et al.

FIG. 1



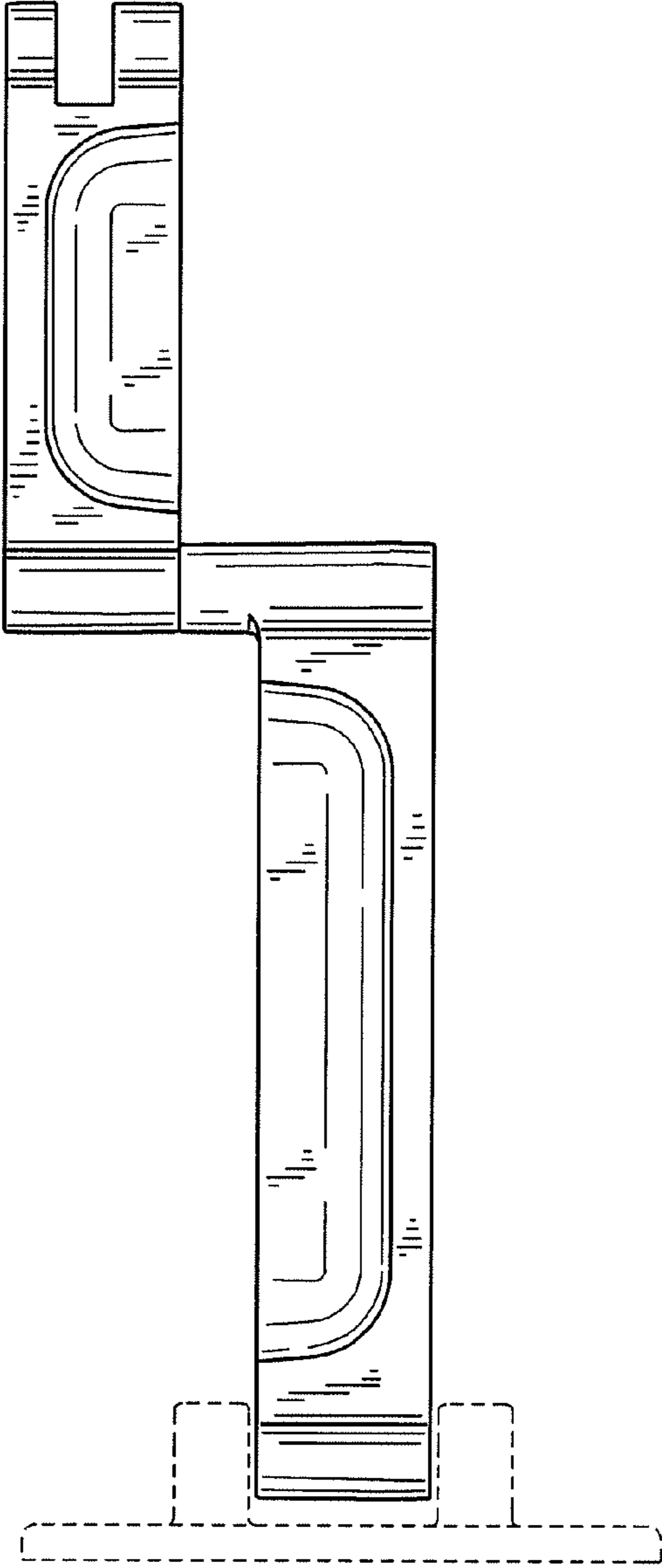


FIG. 2

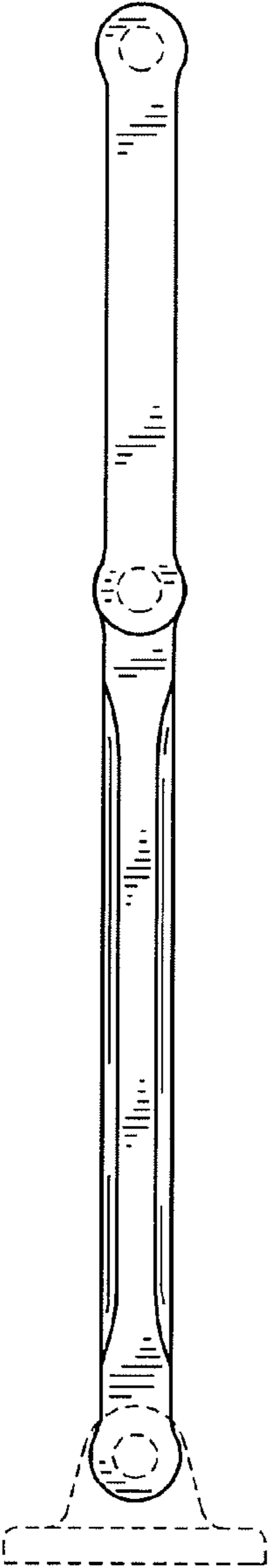


FIG. 4

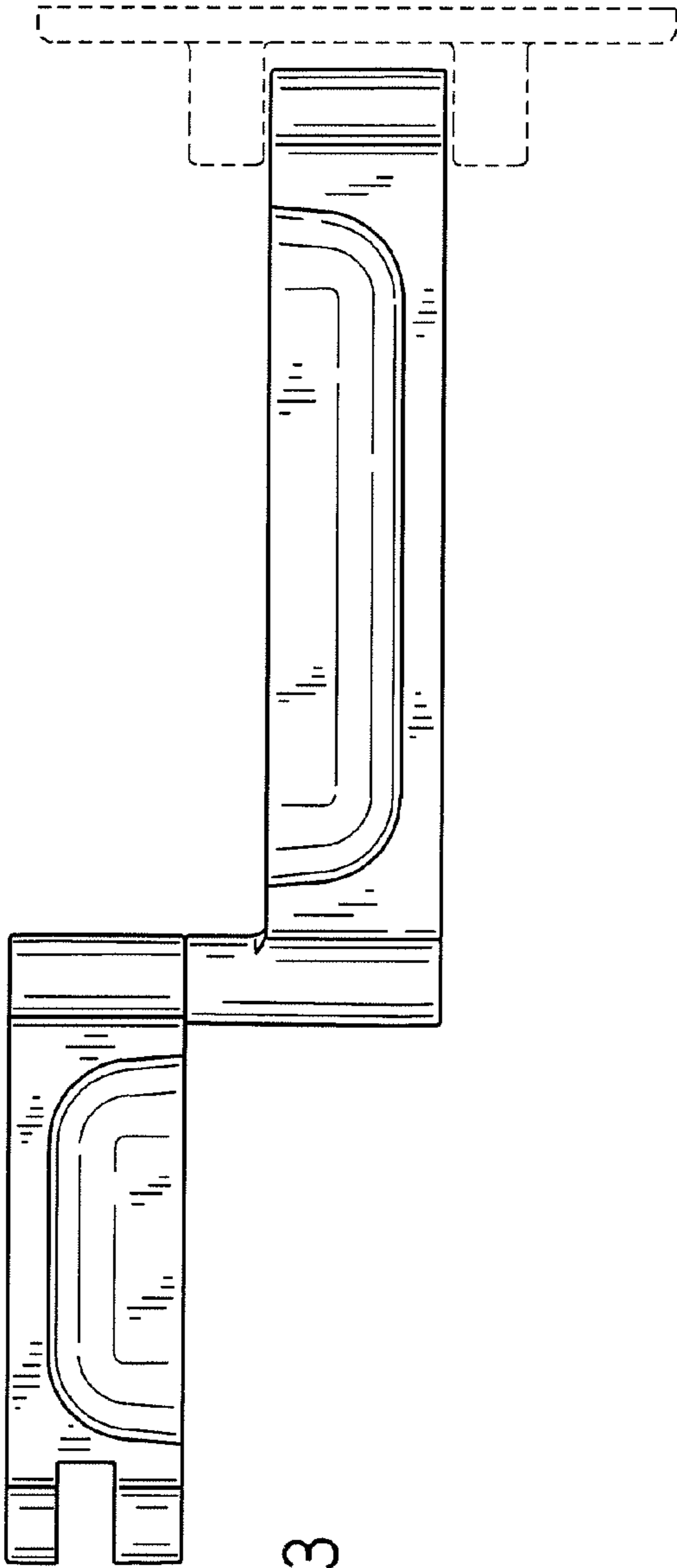


FIG. 3

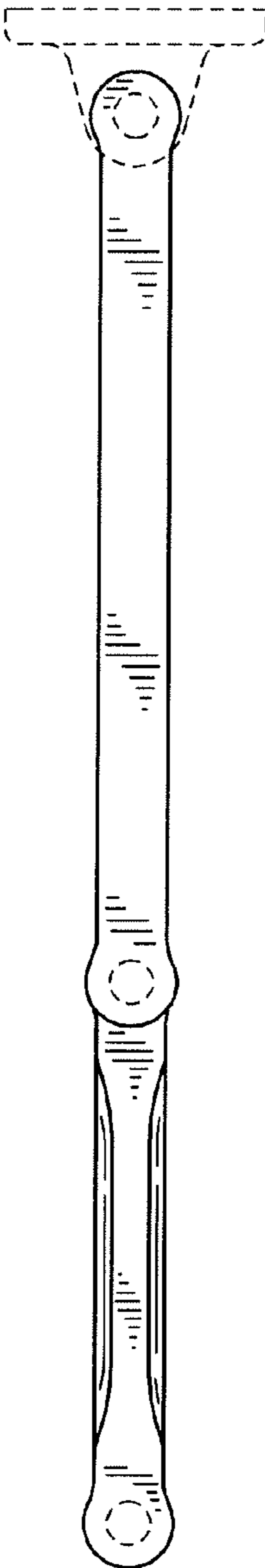


FIG. 5

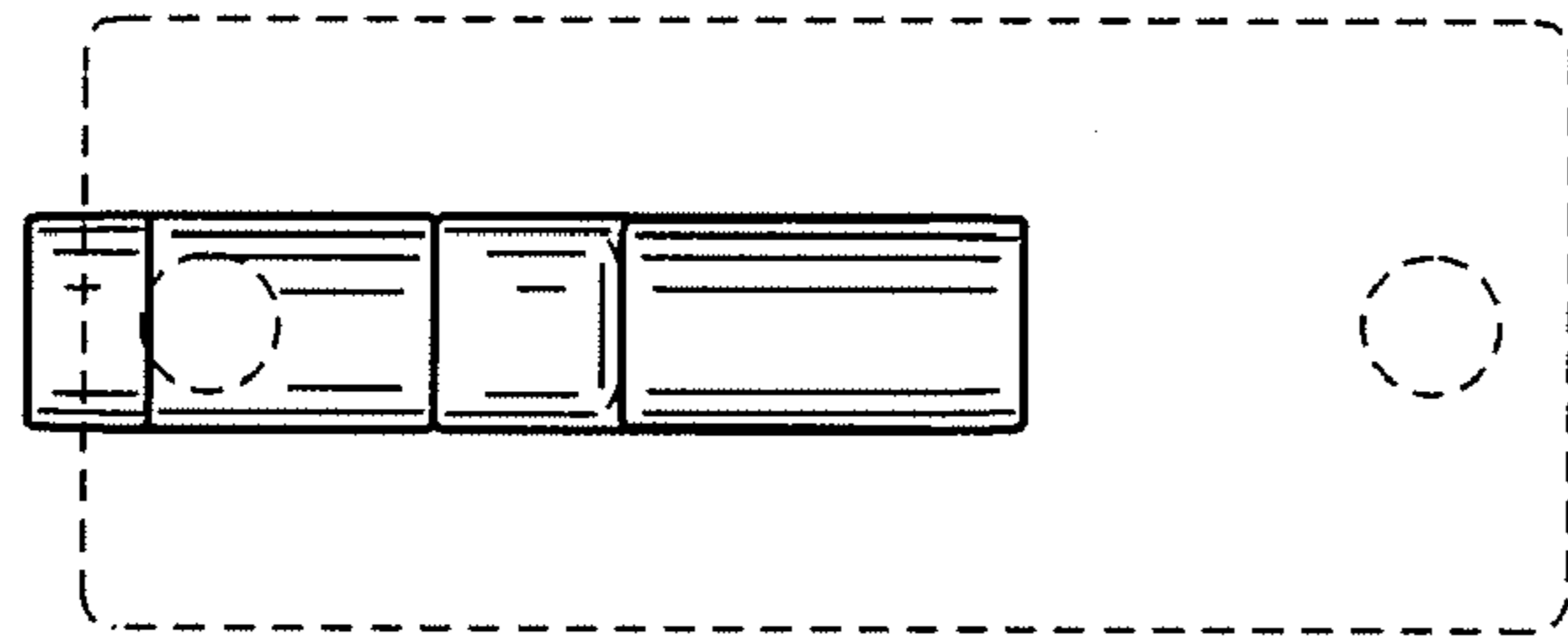


FIG. 7

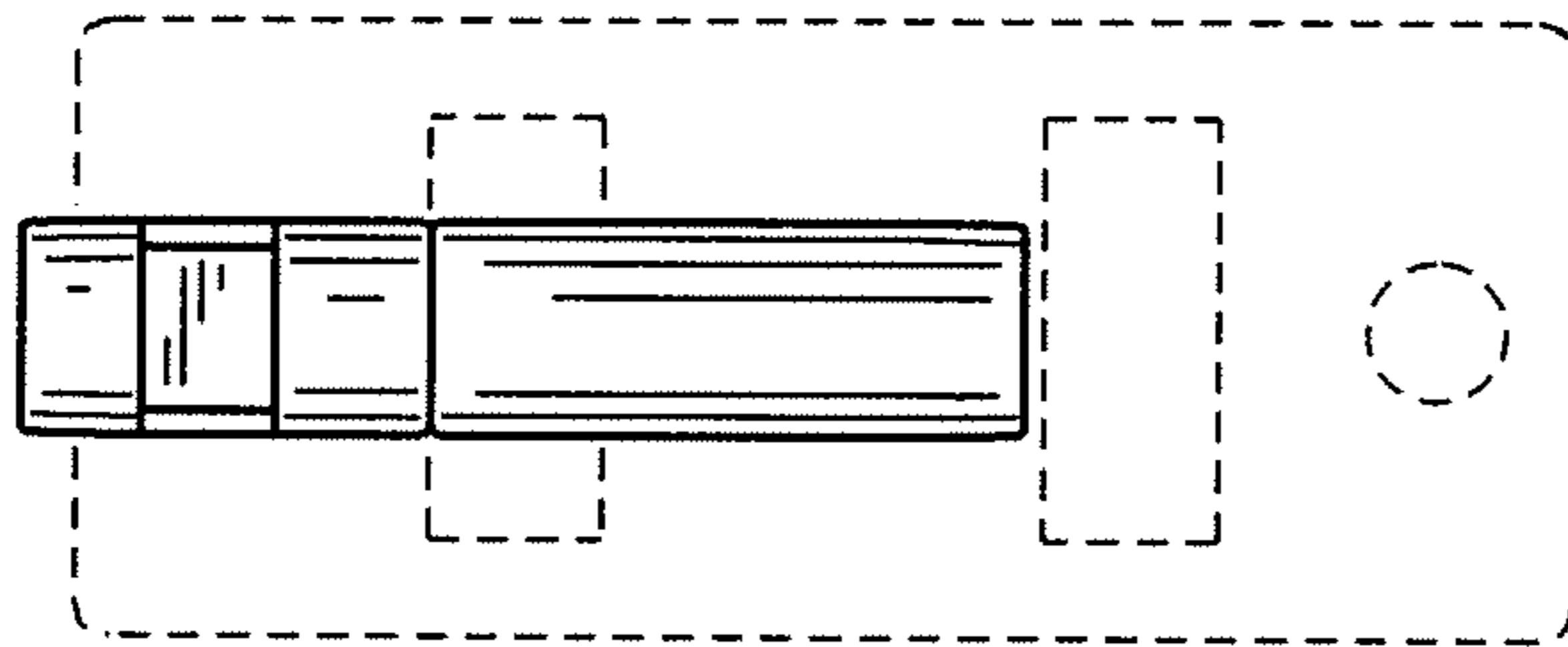
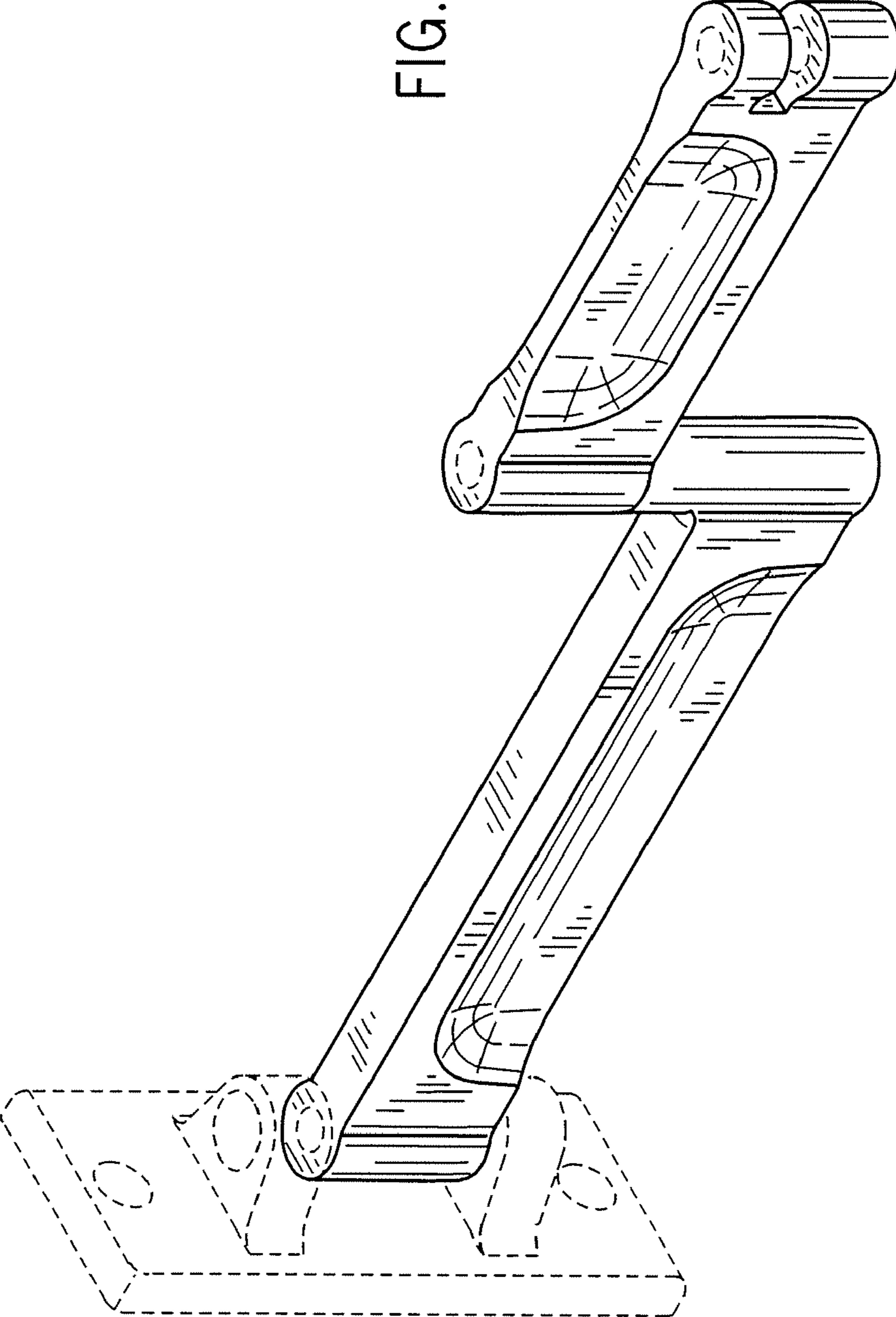


FIG. 6

FIG. 8



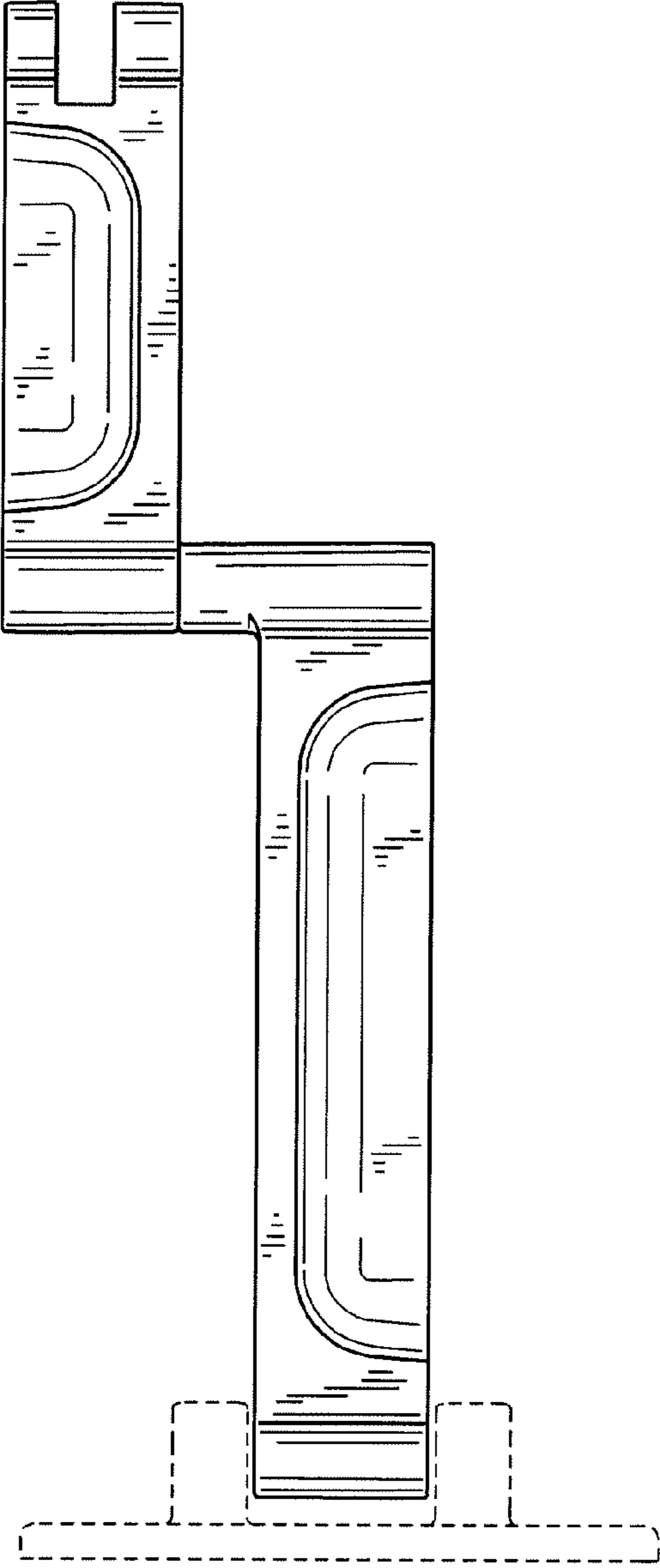


FIG. 9

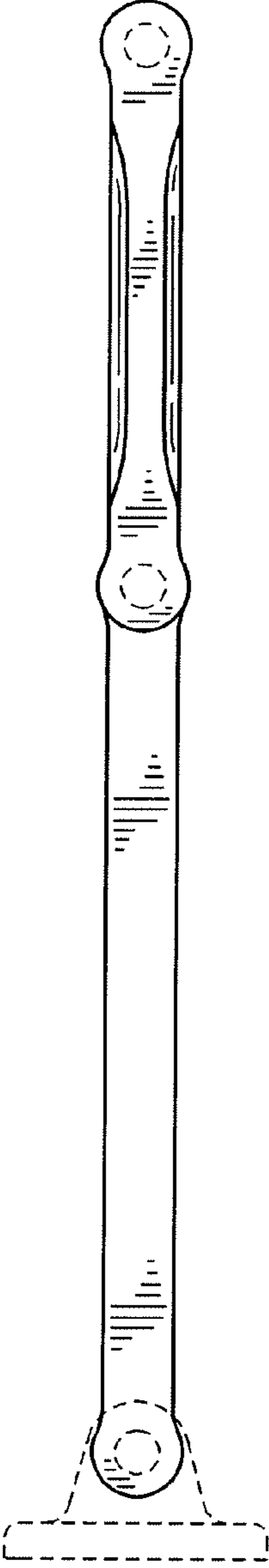


FIG. 11

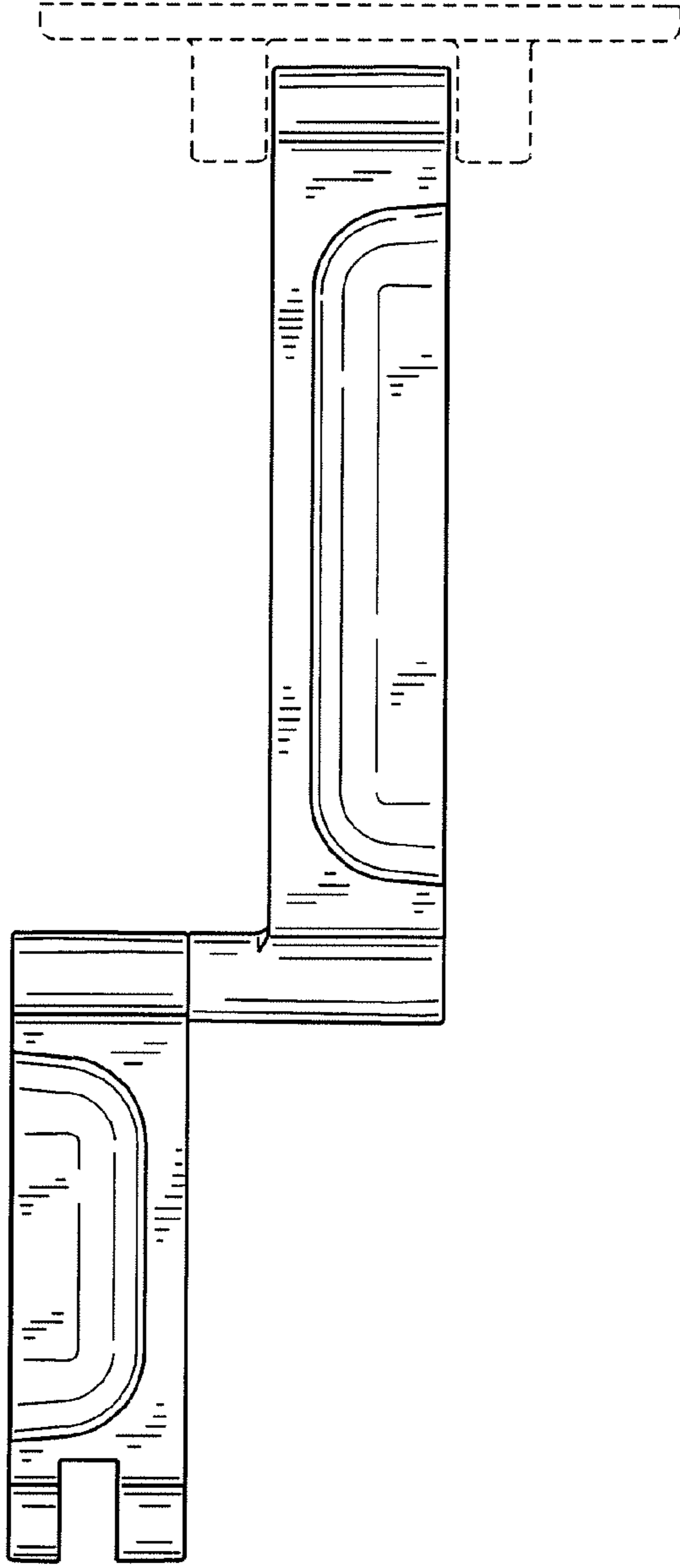


FIG. 10

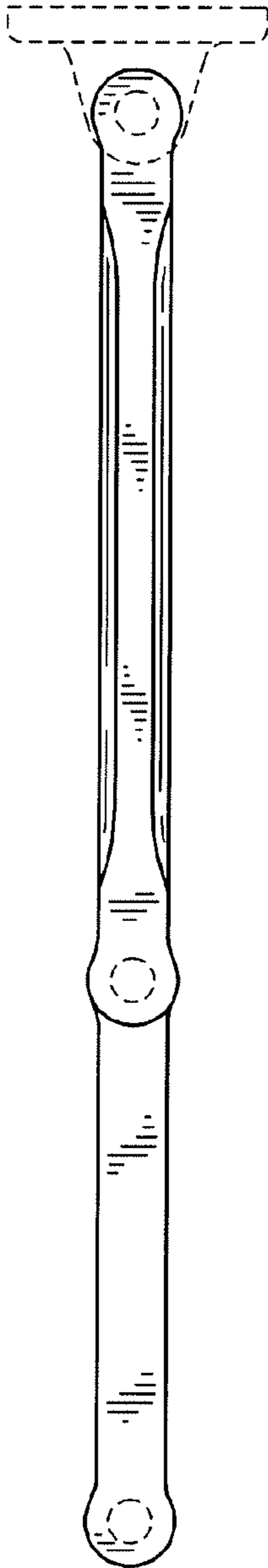


FIG. 12

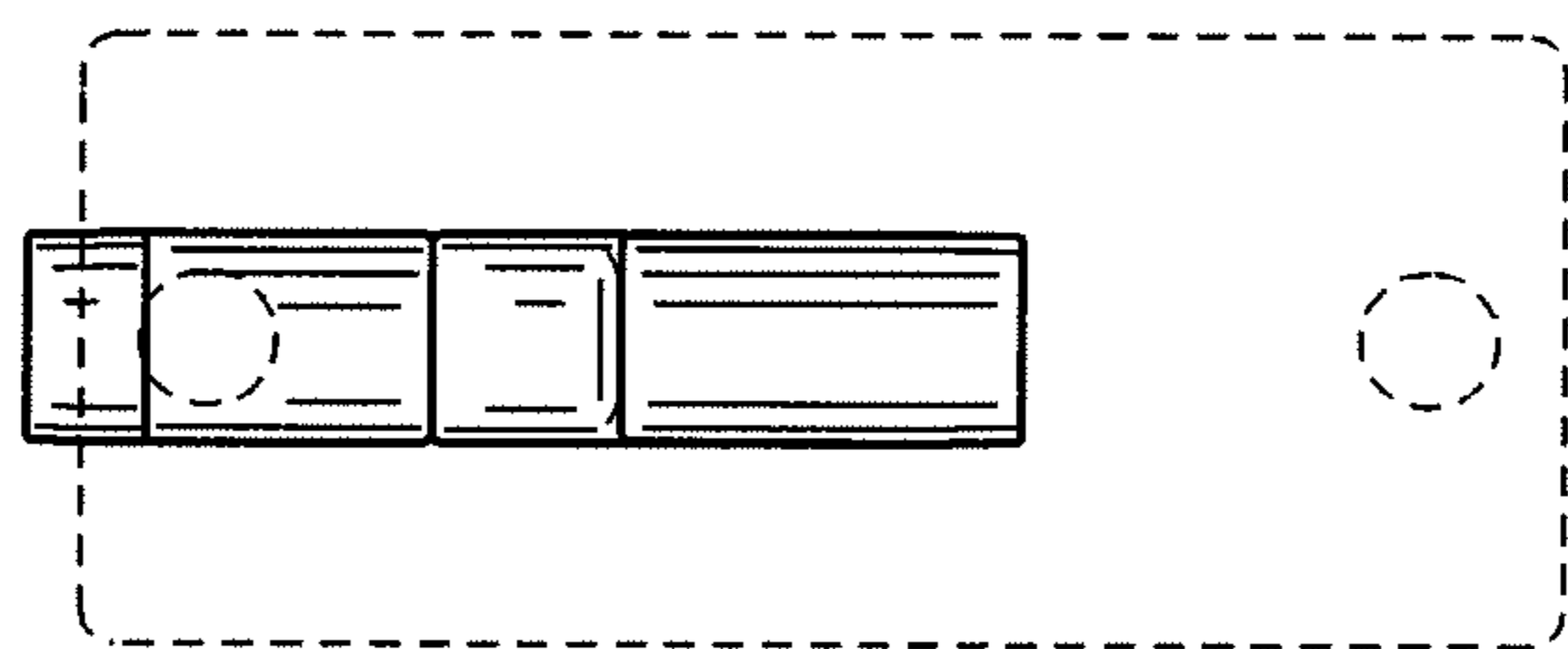


FIG. 14

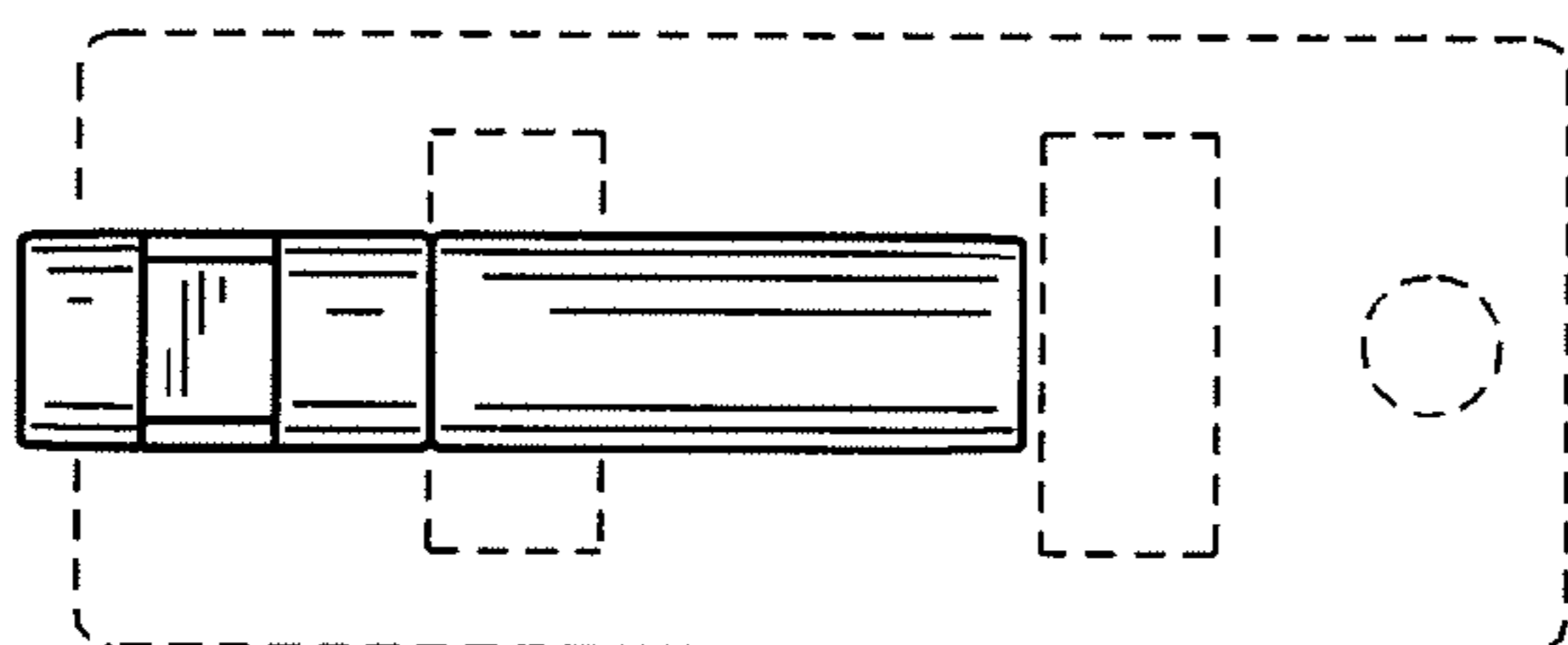
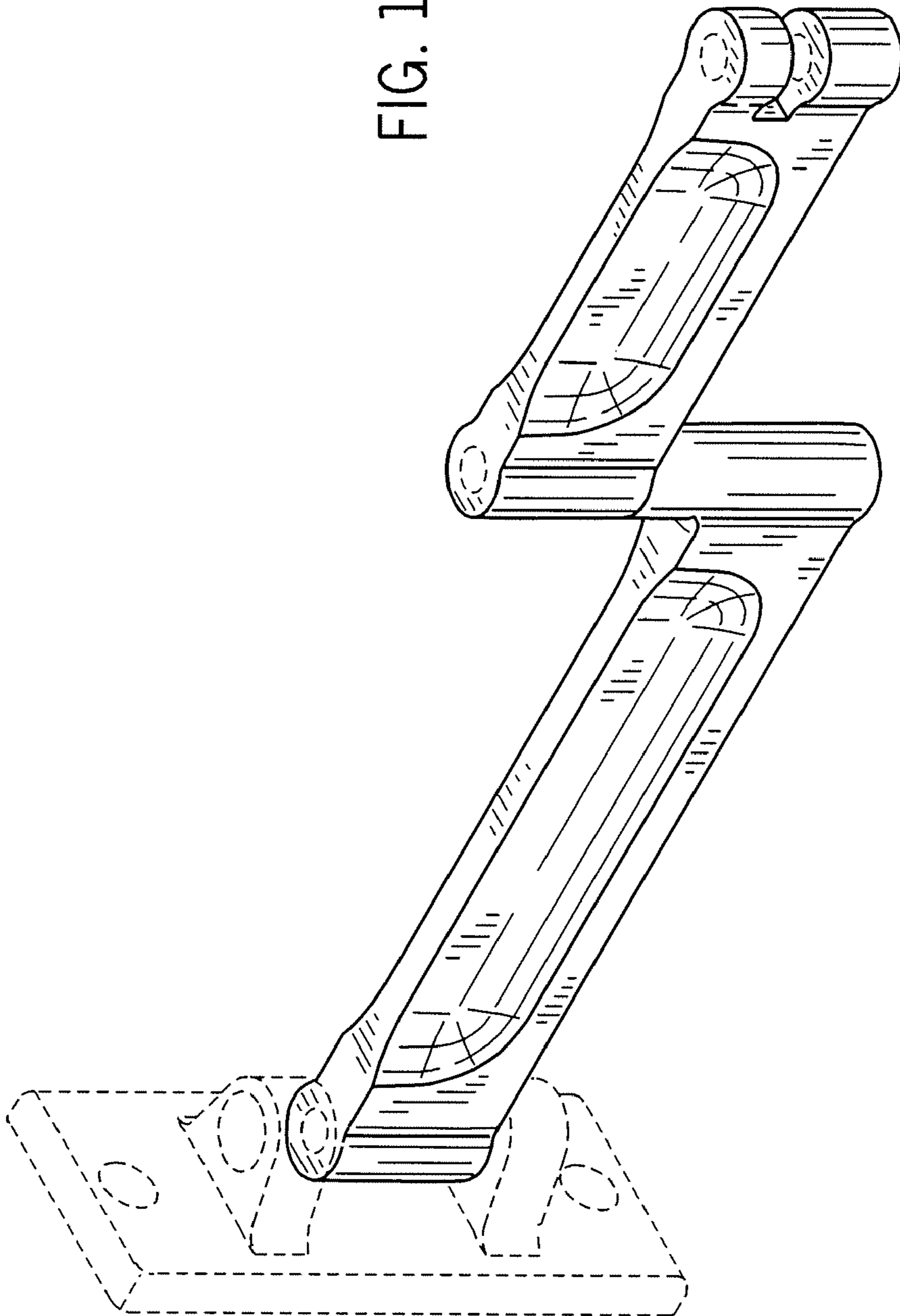


FIG. 13

FIG. 15



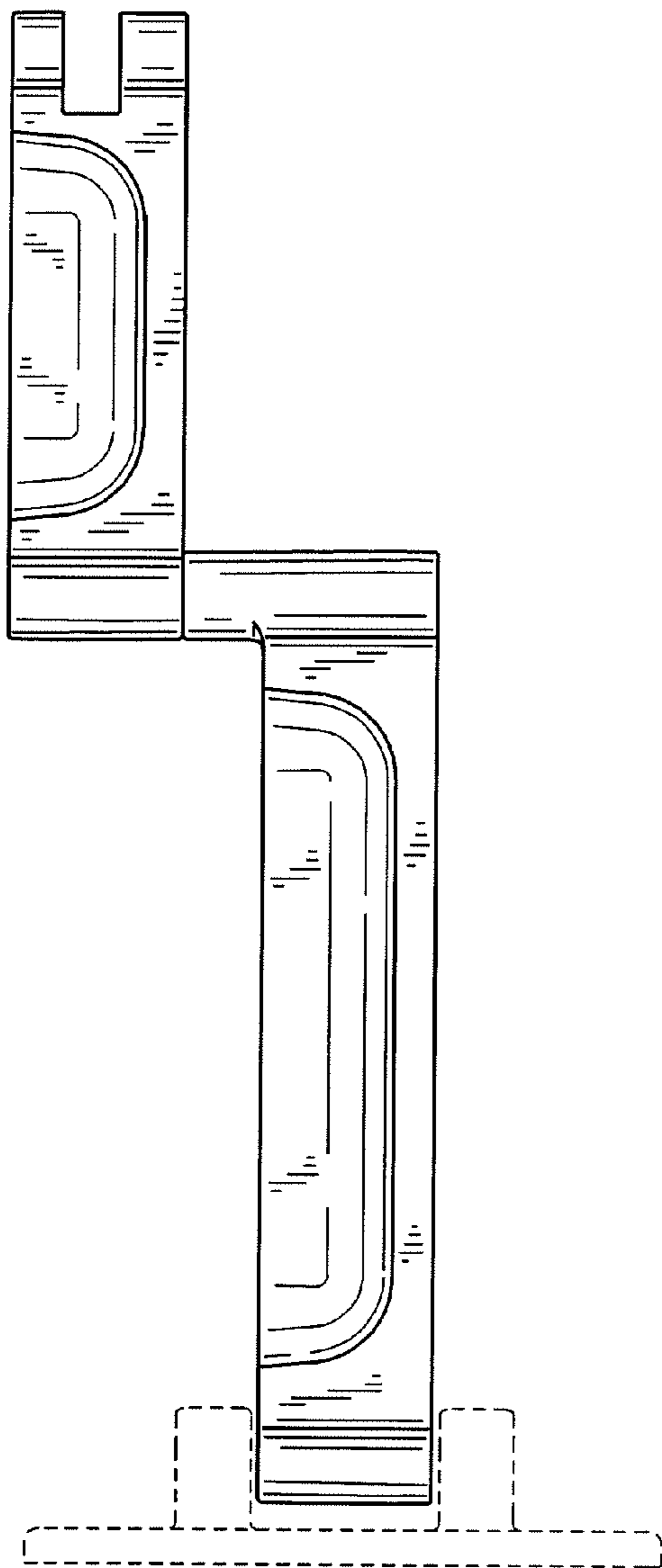


FIG. 16

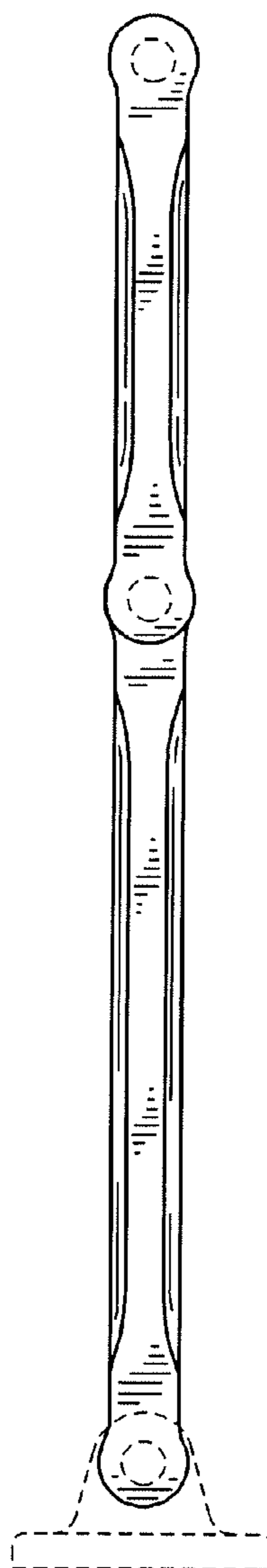


FIG. 18

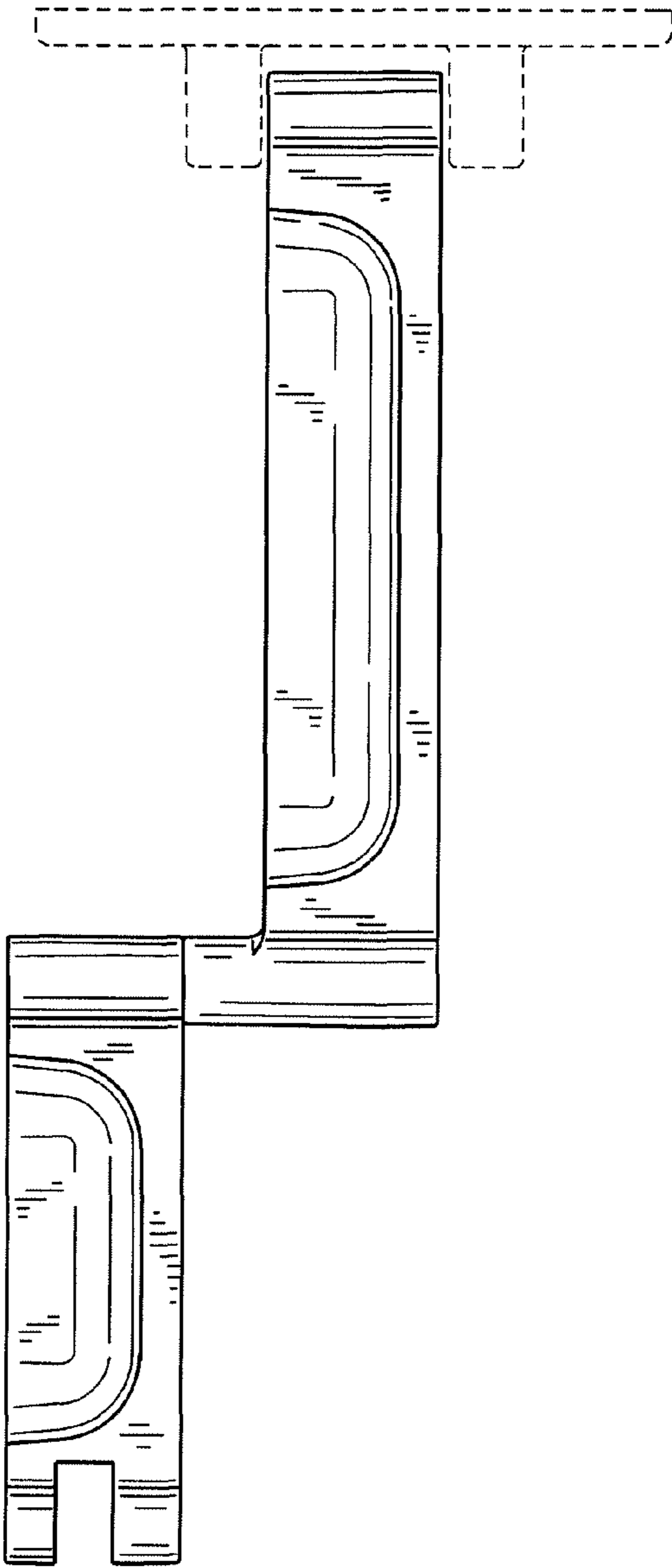


FIG. 17

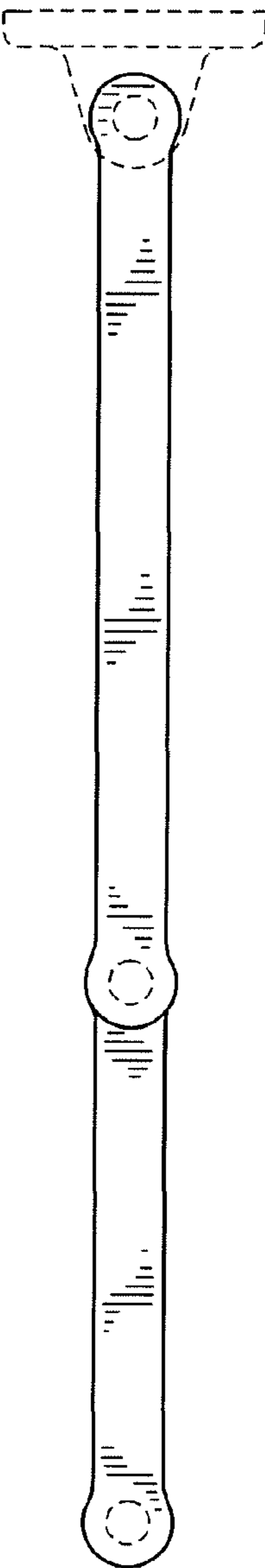


FIG. 19

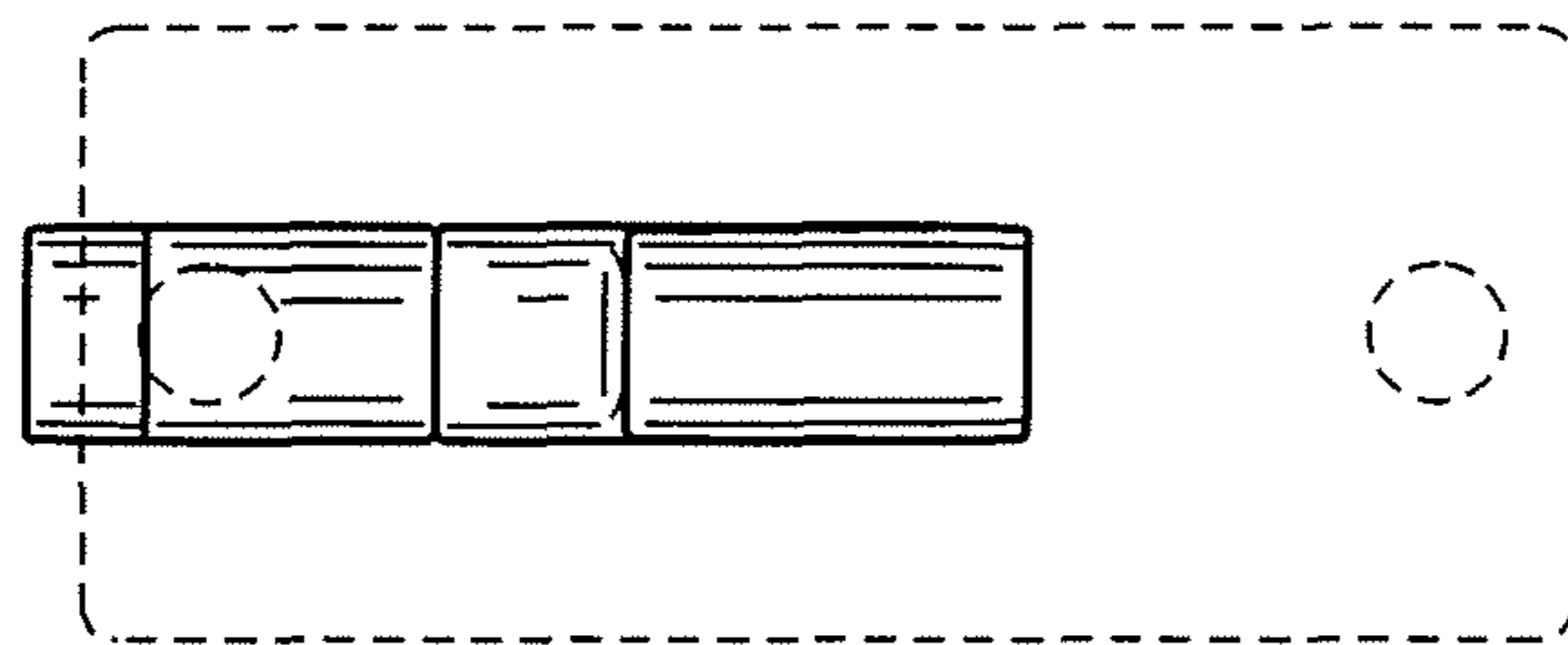


FIG. 21

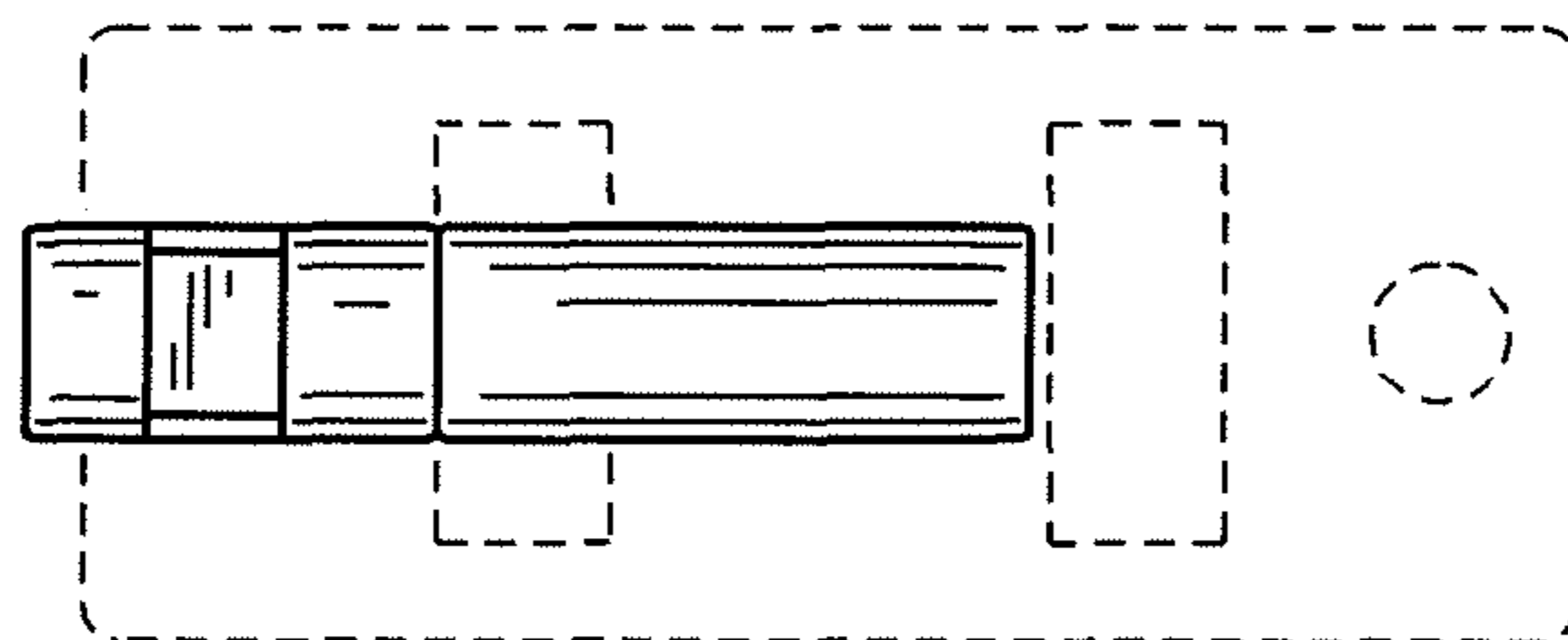


FIG. 20