



US00D652024S

(12) **United States Design Patent**
Quek

(10) **Patent No.:** **US D652,024 S**
(45) **Date of Patent:** **** Jan. 10, 2012**

(54) **HEADPHONES**

(75) Inventor: **Bernard Peng Koon Quek**, Singapore
(SG)

(73) Assignee: **Sennheiser electronic GmbH & Co.**
KG, Wedemark (DE)

(**) Term: **14 Years**

(21) Appl. No.: **29/364,221**

(22) Filed: **Jun. 21, 2010**

(30) **Foreign Application Priority Data**

Dec. 23, 2009 (EM) 1186191

(51) **LOC (9) Cl.** **14-01**

(52) **U.S. Cl.** **D14/223**

(58) **Field of Classification Search** D14/205,
D14/206, 223; 181/129, 130, 135; 379/430,
379/431, 420.04; D24/174; 128/865, 866;
381/322, 324, 370, 371, 380, 381, 328; 455/90.3,
455/575.2, 575.1

See application file for complete search history.

(56) **References Cited**

U.S. PATENT DOCUMENTS

D357,921 S * 5/1995 Ming-Chin D14/223
D371,368 S * 7/1996 Hayashi D14/223
D431,553 S * 10/2000 Suzuki D14/223
D542,782 S * 5/2007 Pena Angarita D14/223
D555,152 S * 11/2007 Wang D14/223
D579,444 S * 10/2008 Ewert et al. D14/223

D586,332 S * 2/2009 Ewert et al. D14/223
D599,330 S * 9/2009 Andre et al. D14/223
D605,182 S * 12/2009 Fagnot D14/223
D623,171 S * 9/2010 Chen et al. D14/223
D623,630 S * 9/2010 Otori et al. D14/223
D626,117 S * 10/2010 Lowry D14/223
D627,765 S * 11/2010 Zheng D14/223
D628,564 S * 12/2010 Chong et al. D14/223
D637,181 S * 5/2011 Fuller et al. D14/223
D639,787 S * 6/2011 Quek D14/223
D644,212 S * 8/2011 Quek D14/223
D644,213 S * 8/2011 Quek D14/223

* cited by examiner

Primary Examiner — Paula Greene

(74) *Attorney, Agent, or Firm* — Kilpatrick Townsend &
Stockton LLP

(57) **CLAIM**

The ornamental design for headphones, as shown and
described.

DESCRIPTION

FIG. 1 is a perspective view of a headphones showing my new
design;

FIG. 2 is a front elevational view thereof;

FIG. 3 is a left side elevational view thereof;

FIG. 4 is a right side elevational view thereof;

FIG. 5 is a rear elevational view thereof;

FIG. 6 is a bottom plan view thereof; and,

FIG. 7 is a top plan view thereof.

The broken lines shown in the drawings form no part of the
claimed design.

1 Claim, 7 Drawing Sheets



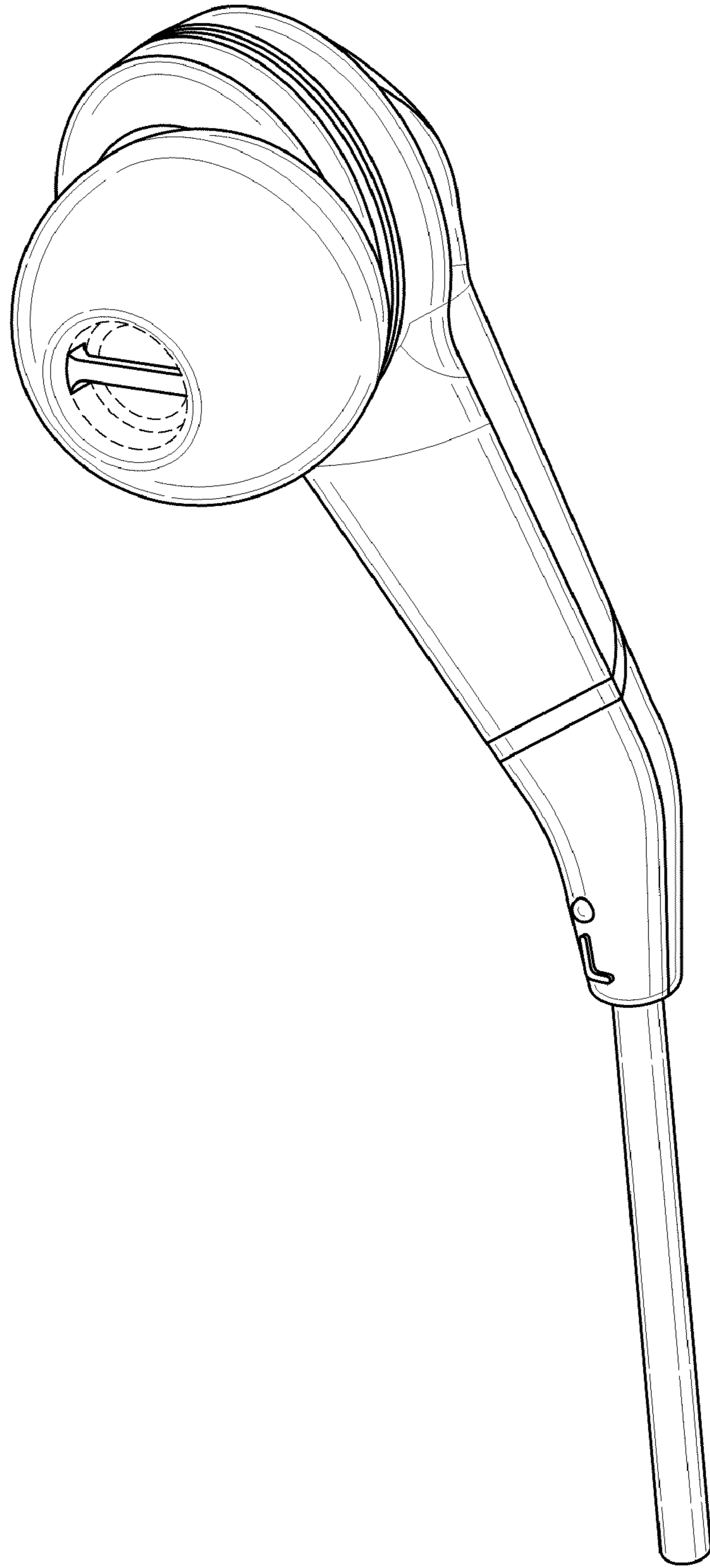


FIG. 1

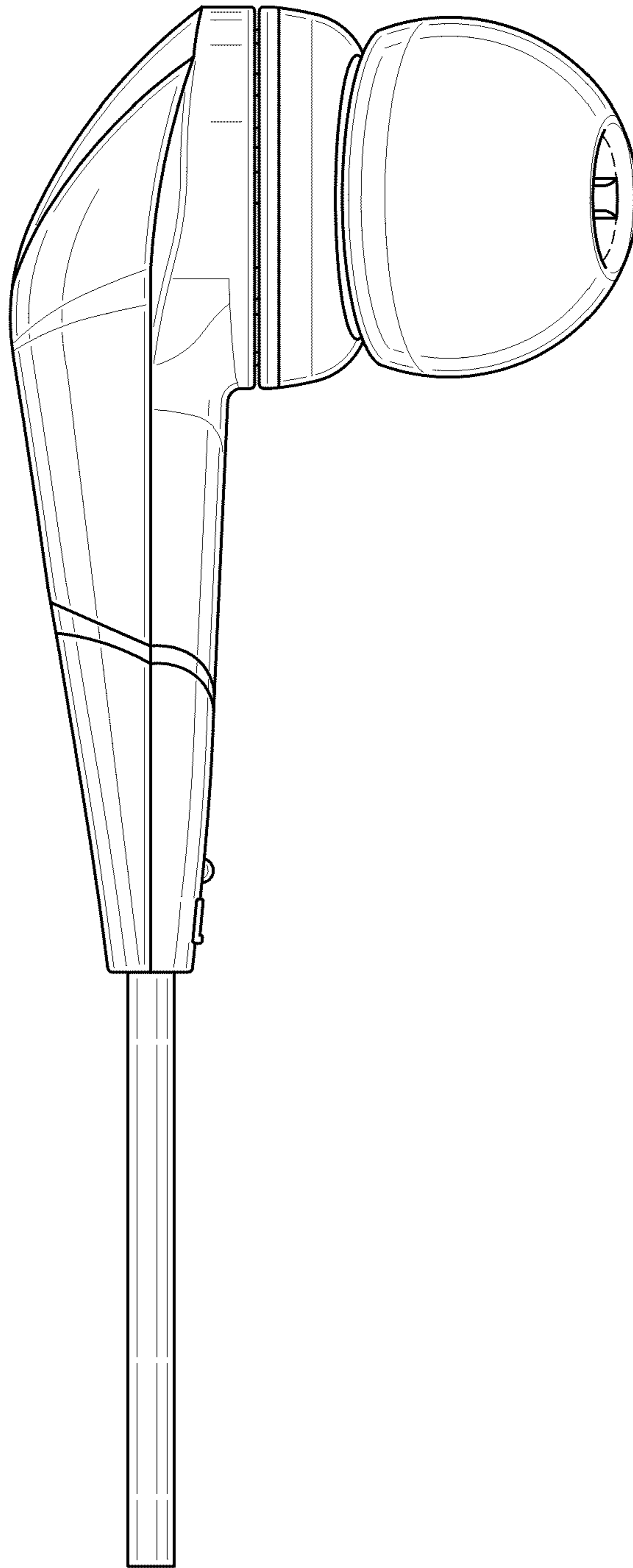


FIG. 2

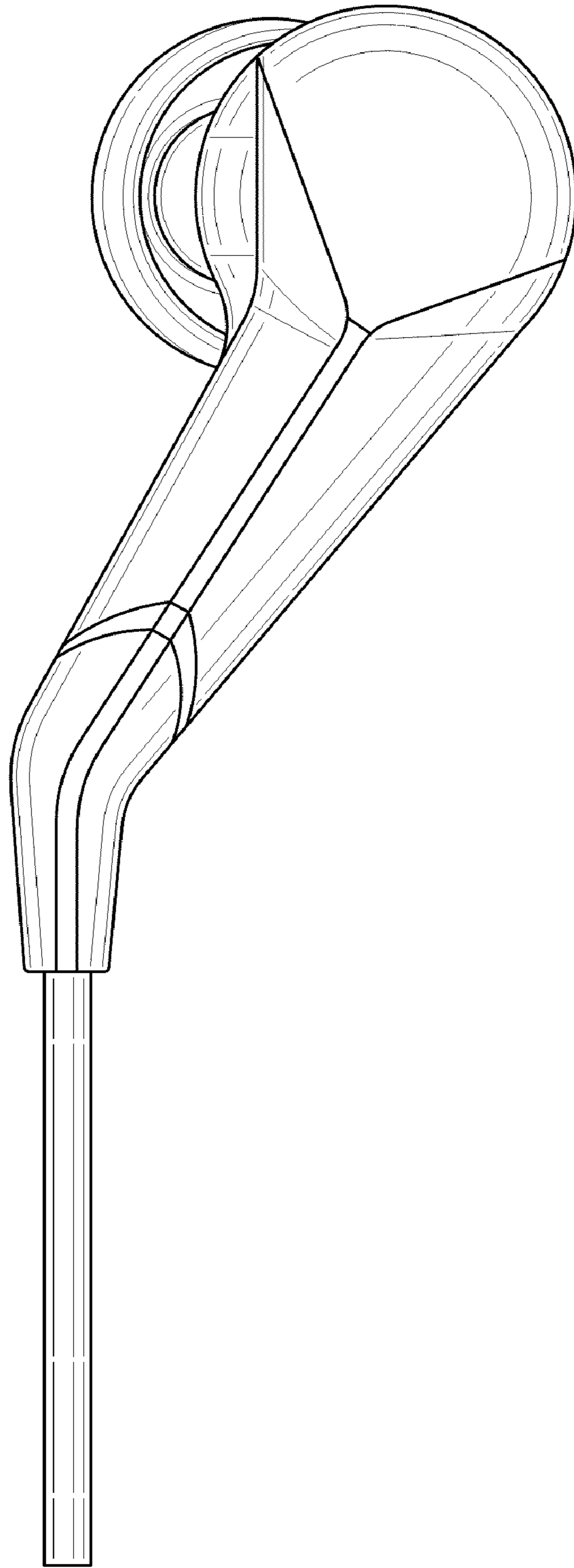


FIG. 3

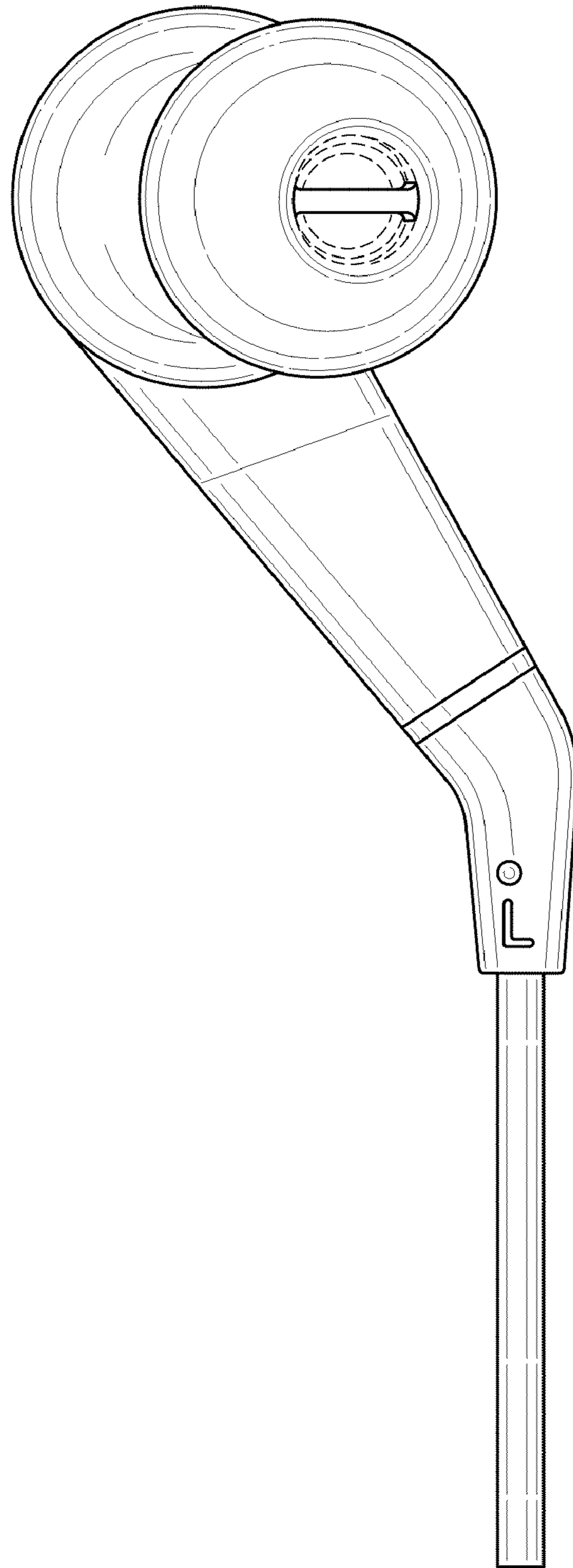


FIG. 4

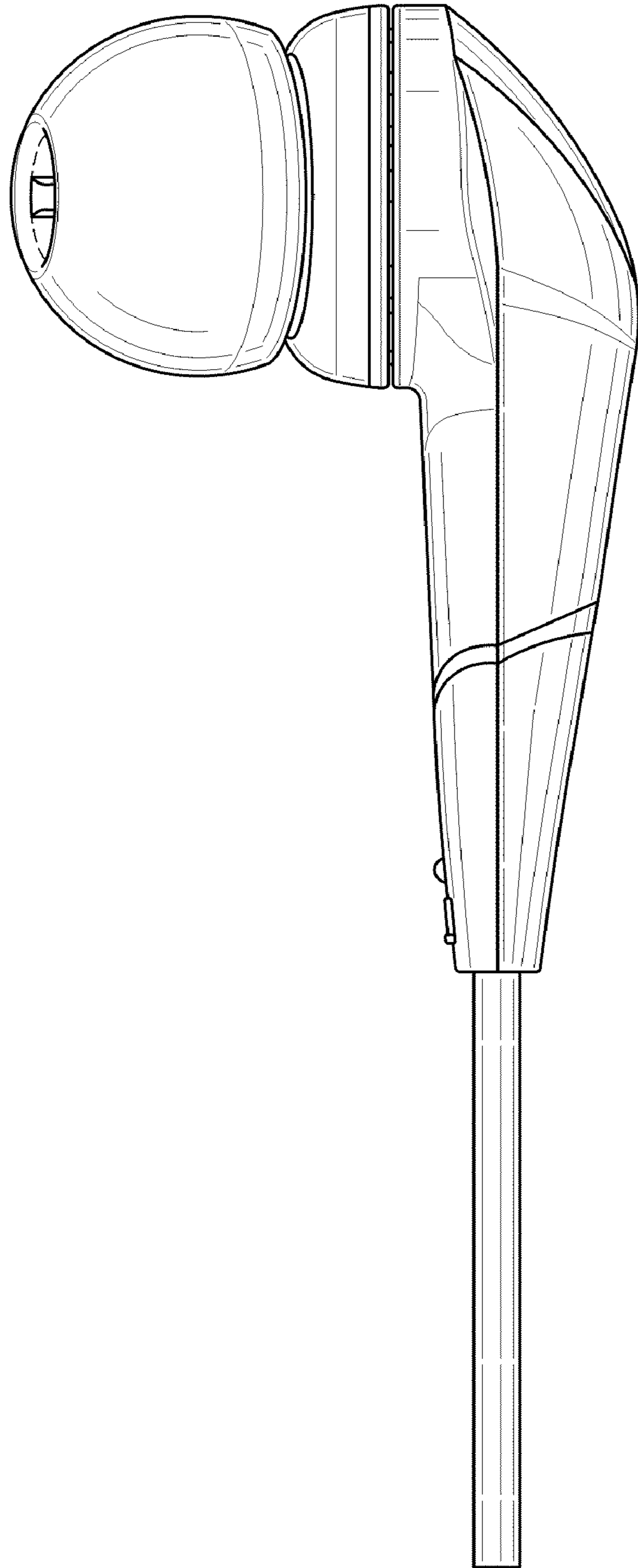


FIG. 5

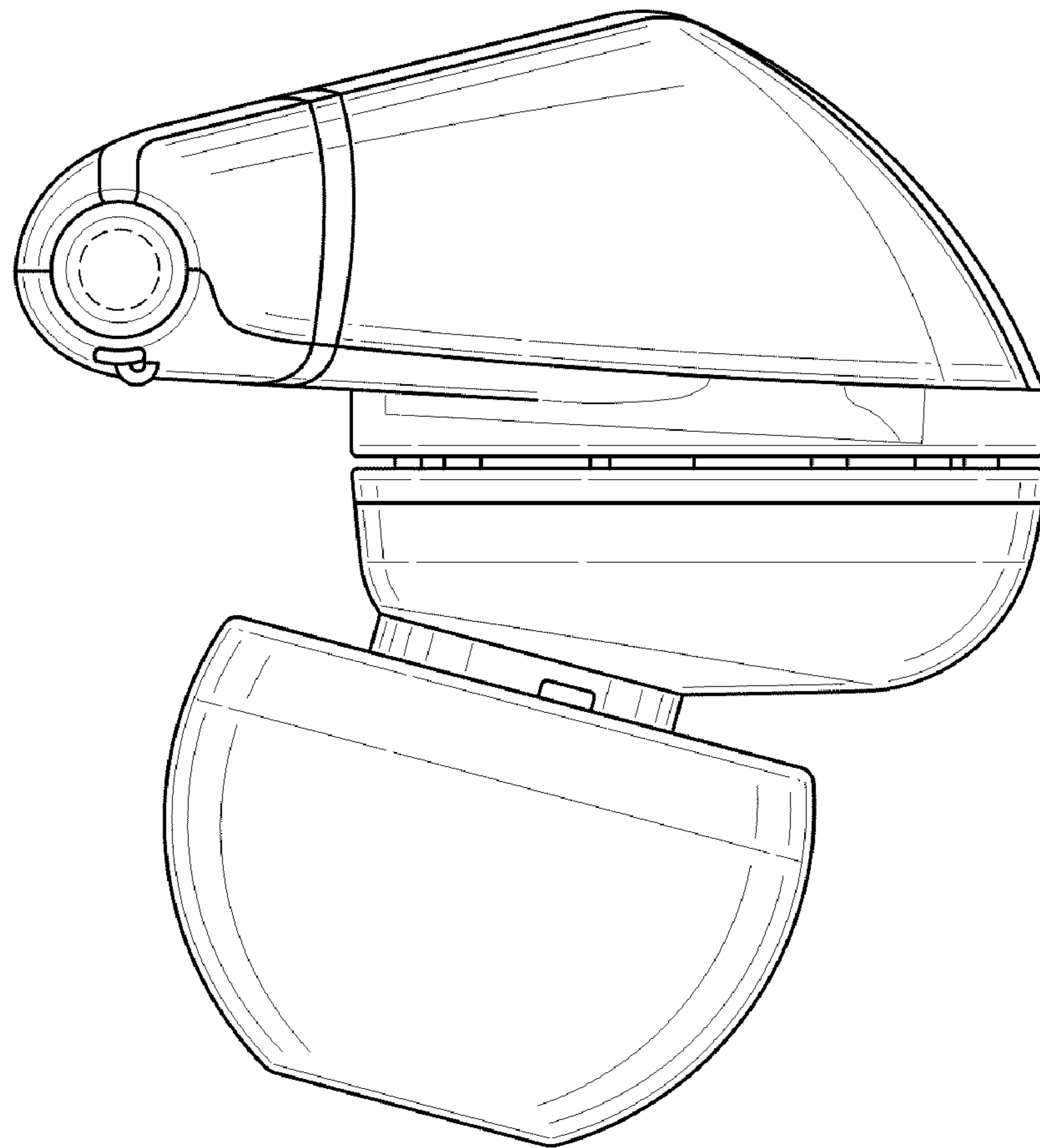


FIG. 6

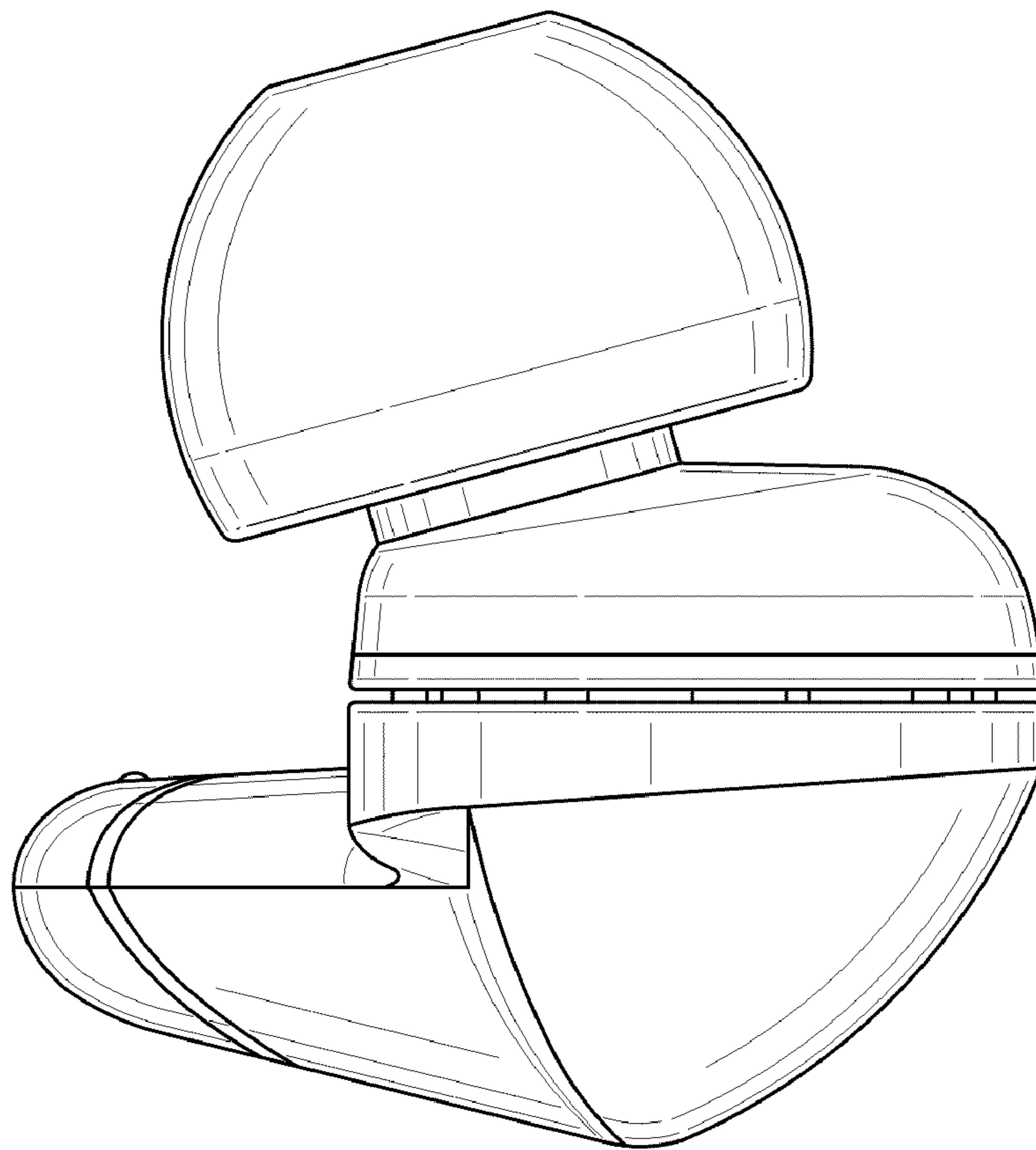


FIG. 7