

US00D652023S

(12) **United States Design Patent**
Chen

(10) **Patent No.:** **US D652,023 S**
(45) **Date of Patent:** **** Jan. 10, 2012**

(54) **SPEAKER**
(75) Inventor: **Hwang-Miaw Chen**, Taipei Hsien (TW)
(73) Assignee: **Hon Hai Precision Industry Co., Ltd.**,
Tu-Cheng, New Taipei (TW)
(**) Term: **14 Years**
(21) Appl. No.: **29/381,985**

D602,911 S * 10/2009 Wang et al. D14/216
D615,964 S * 5/2010 Chen D14/216
D619,994 S * 7/2010 Chen D14/216

* cited by examiner

Primary Examiner — Nanda Bondade
(74) *Attorney, Agent, or Firm* — Altis Law Group, Inc.

(57) **CLAIM**
The ornamental design for a speaker, as shown and described.

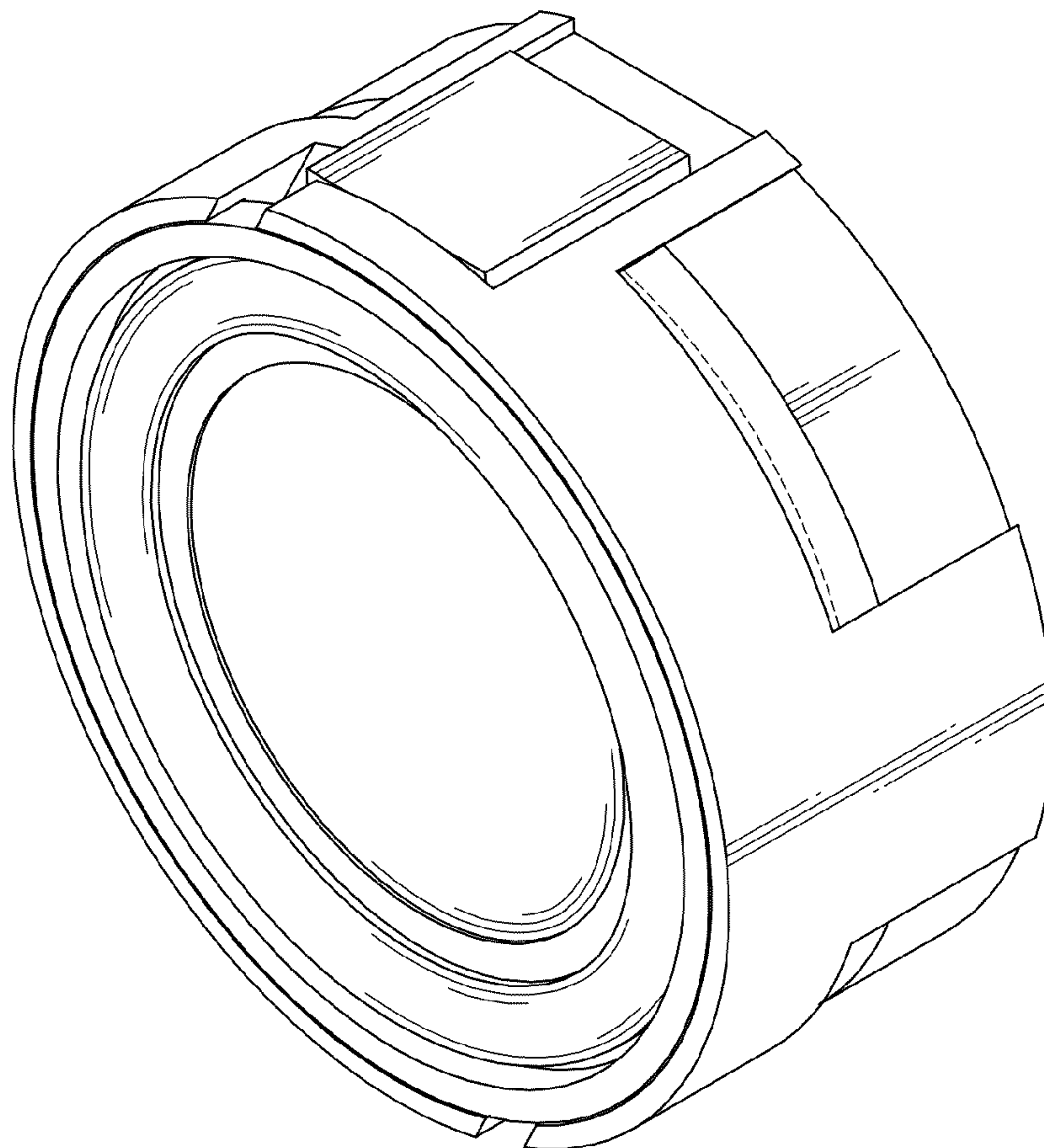
DESCRIPTION

(22) Filed: **Dec. 27, 2010**
(51) **LOC (9) Cl.** **14-01**
(52) **U.S. Cl.** **D14/216**
(58) **Field of Classification Search** D14/204,
D14/210–216, 221, 222, 172; 181/143–144,
181/147–148, 150–153, 157, 166, 198–199;
381/300–303, 306, 332–333, 336, 345, 361–364,
381/386–388
See application file for complete search history.

FIG. 1 is a perspective view of a speaker showing my new design.
FIG. 2 is a front elevational view thereof.
FIG. 3 is a rear elevational view thereof.
FIG. 4 is a left side elevational view thereof.
FIG. 5 is a right side elevational view thereof.
FIG. 6 is a top plan view thereof.
FIG. 7 is a bottom plan view thereof; and,
FIG. 8 is a cross-sectional type of view of the speaker, corresponding to VIII-VIII of FIG. 2.
The broken line showing on the drawing disclosure is for illustrative purposes only and forms no part of the claimed design.

(56) **References Cited**
U.S. PATENT DOCUMENTS
D521,982 S * 5/2006 Schafernak et al. D14/216
D554,621 S * 11/2007 Yao D14/216

1 Claim, 8 Drawing Sheets



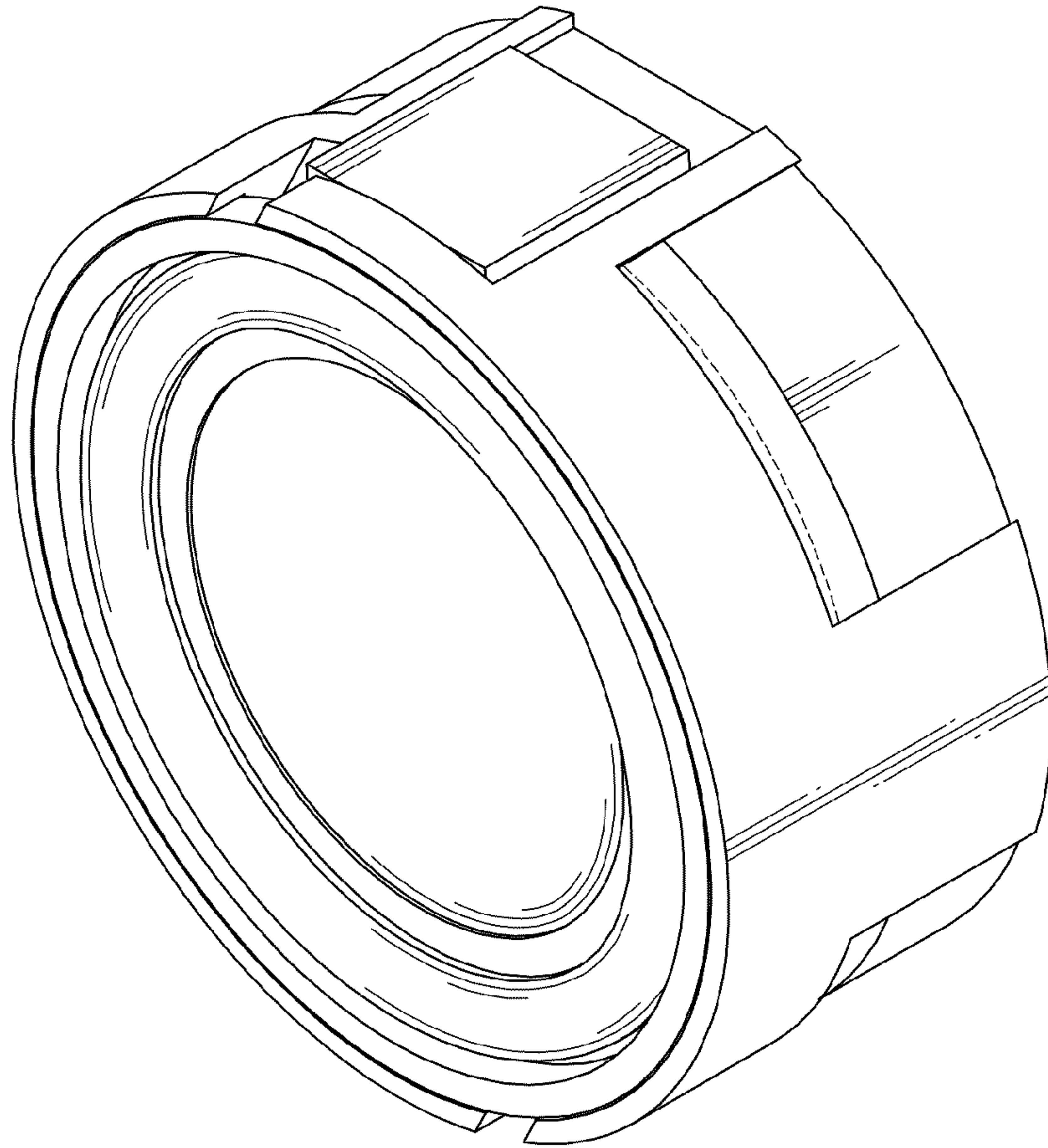


FIG. 1

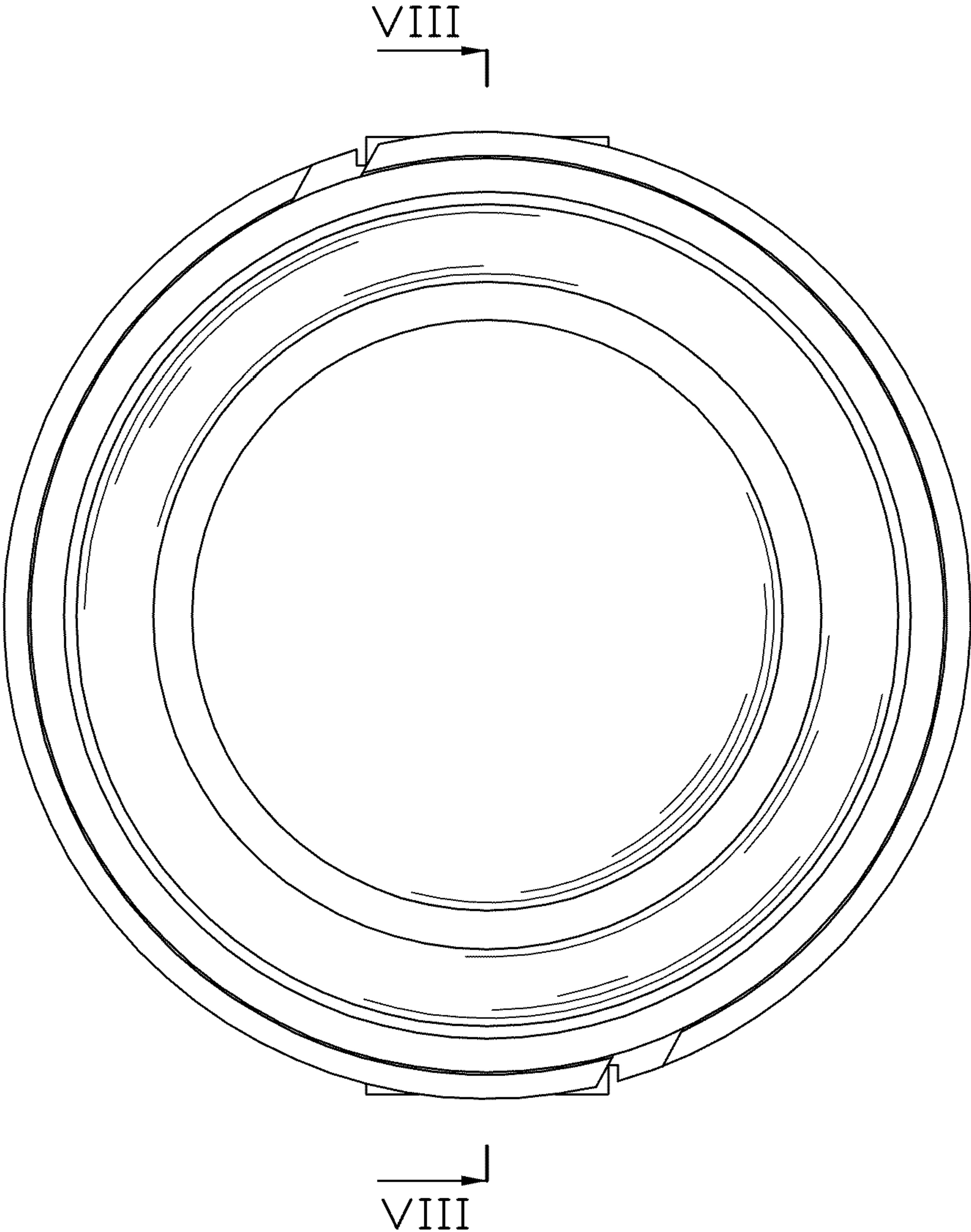


FIG. 2

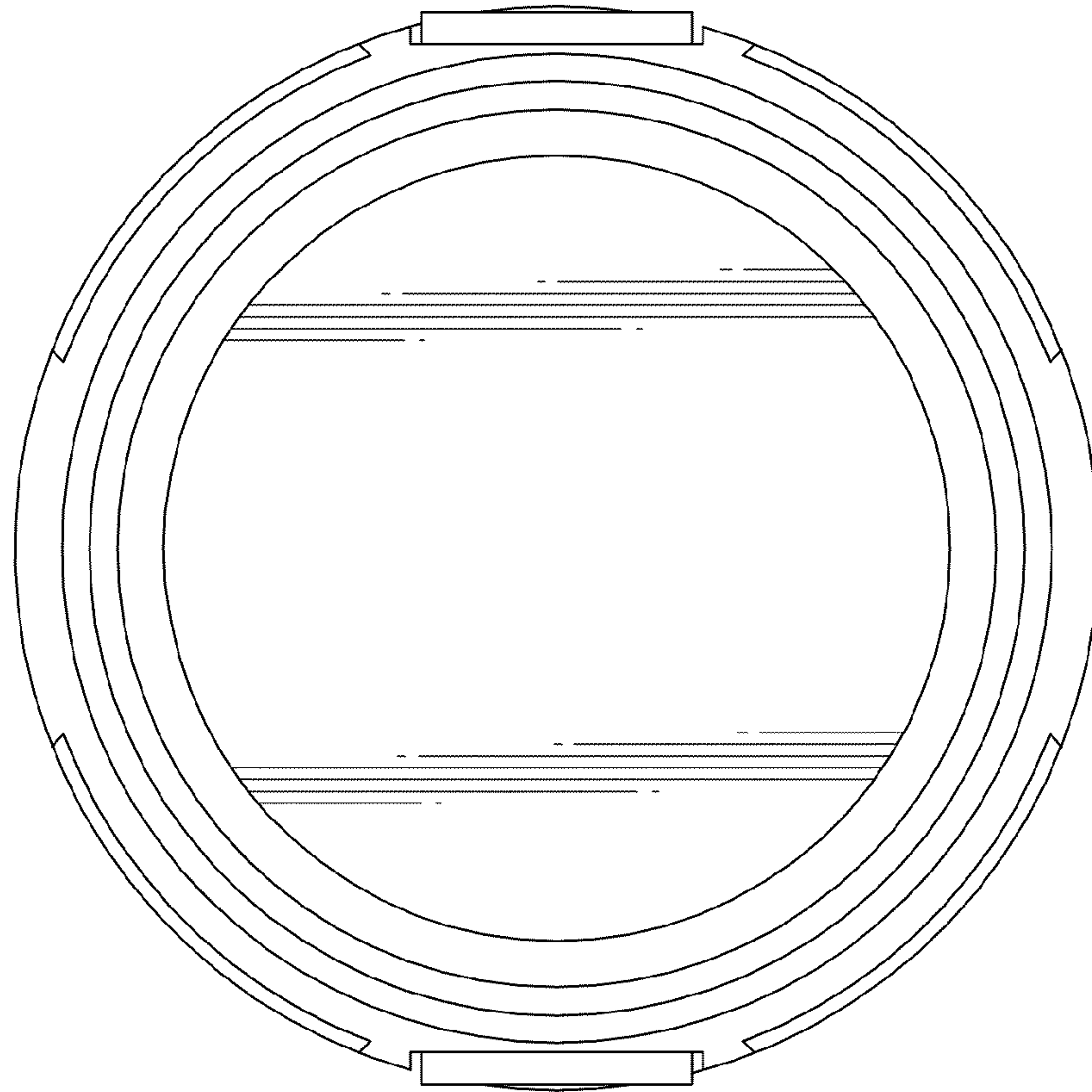


FIG. 3

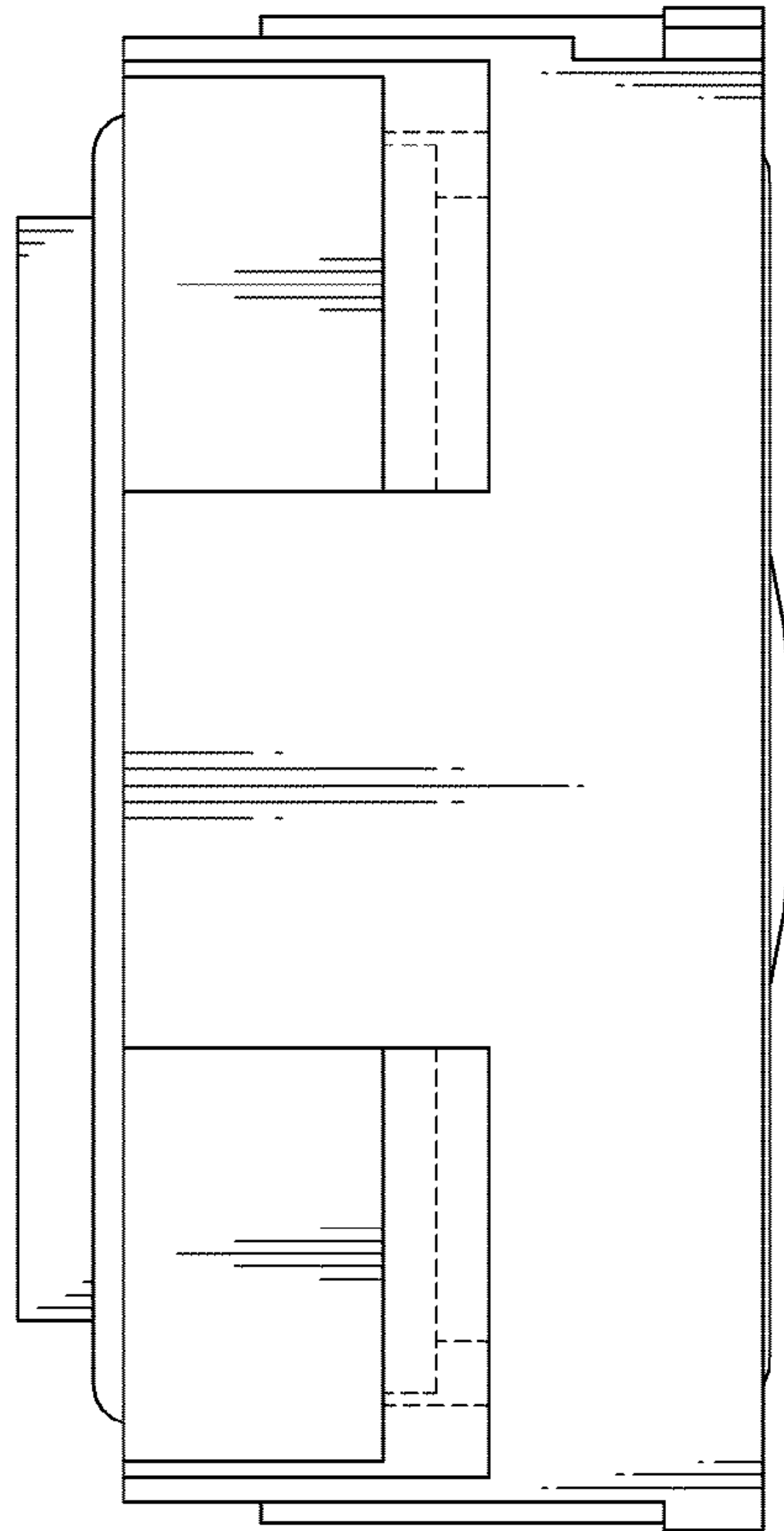


FIG. 4

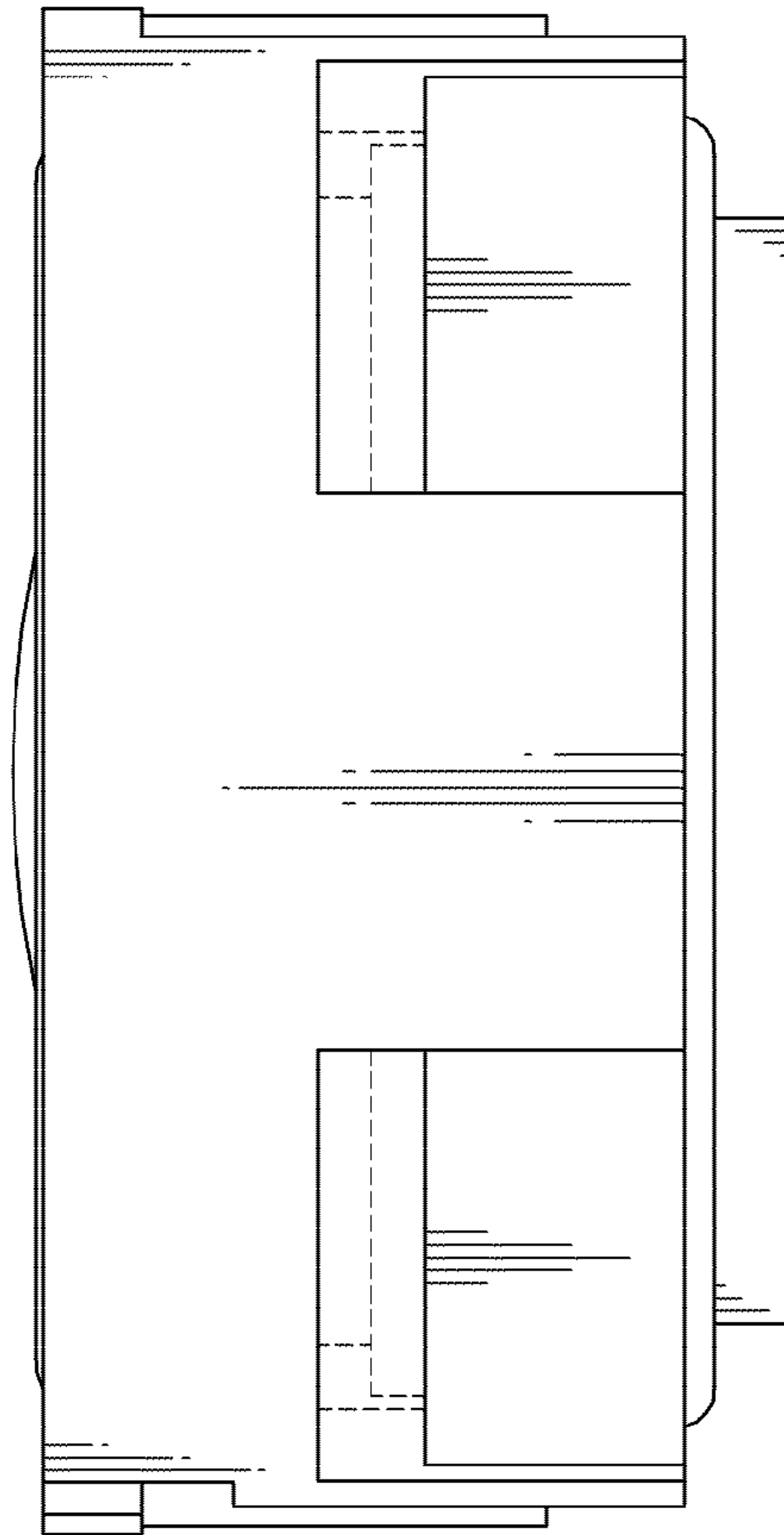


FIG. 5

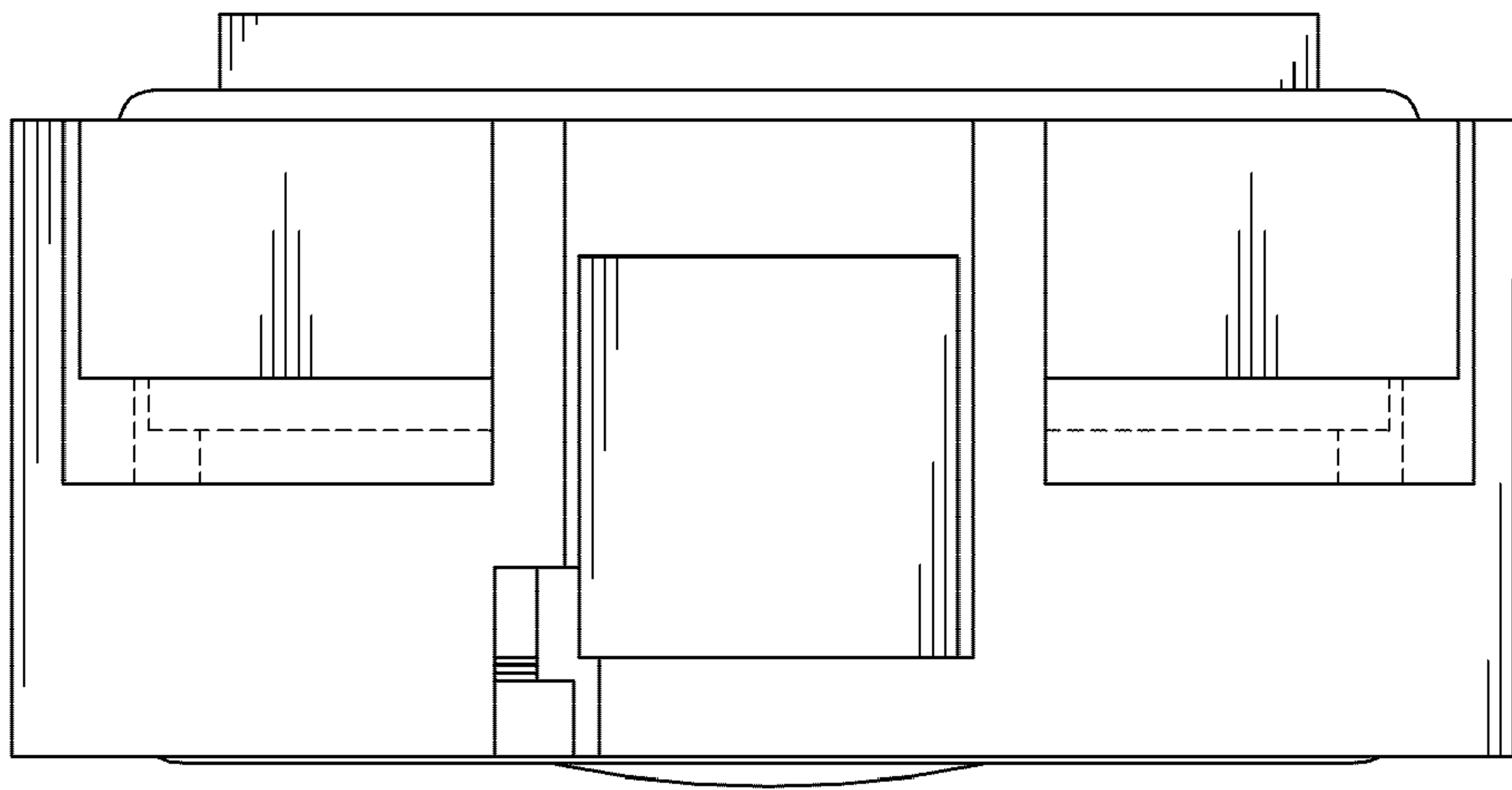


FIG. 6

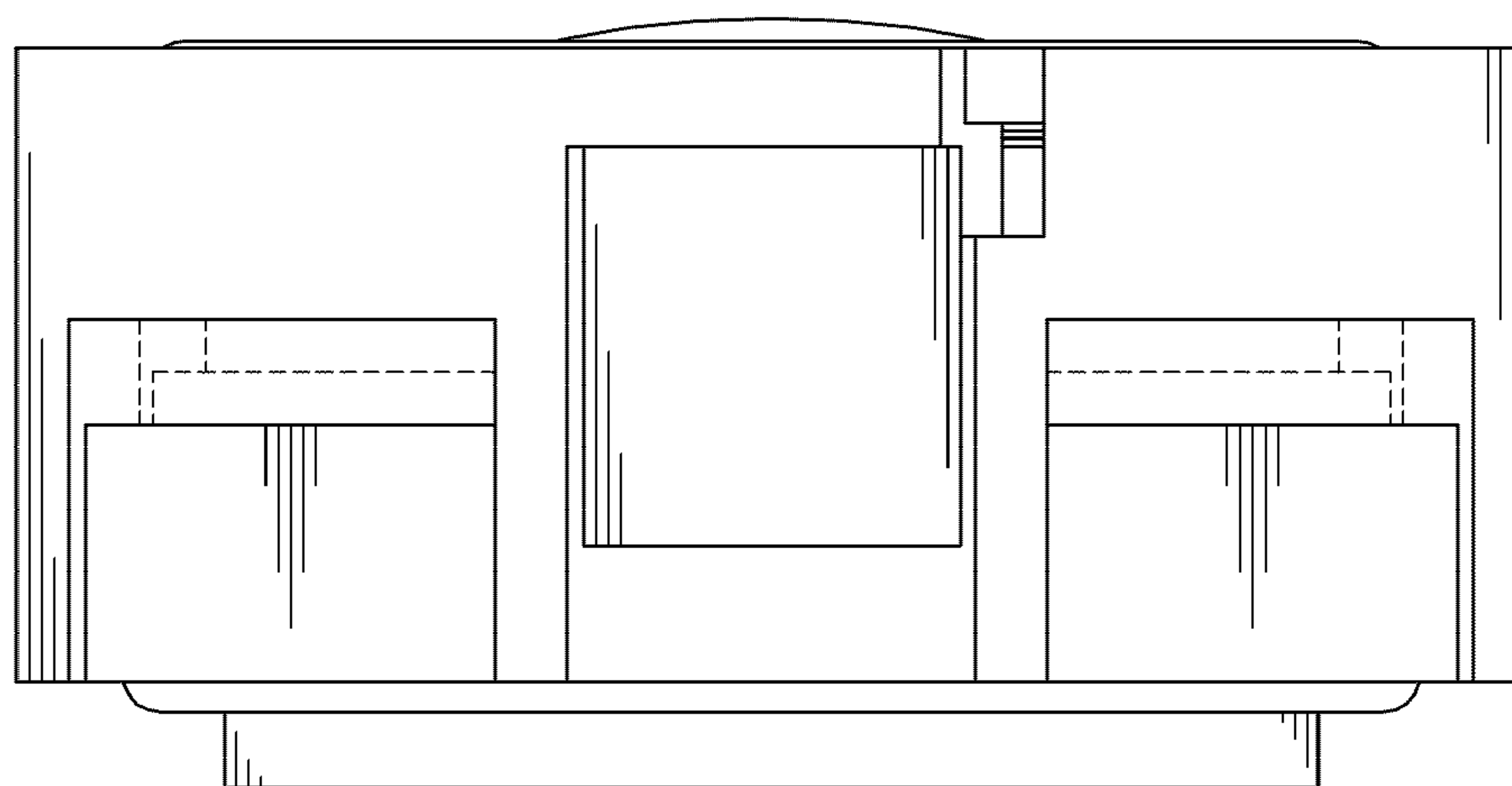


FIG. 7

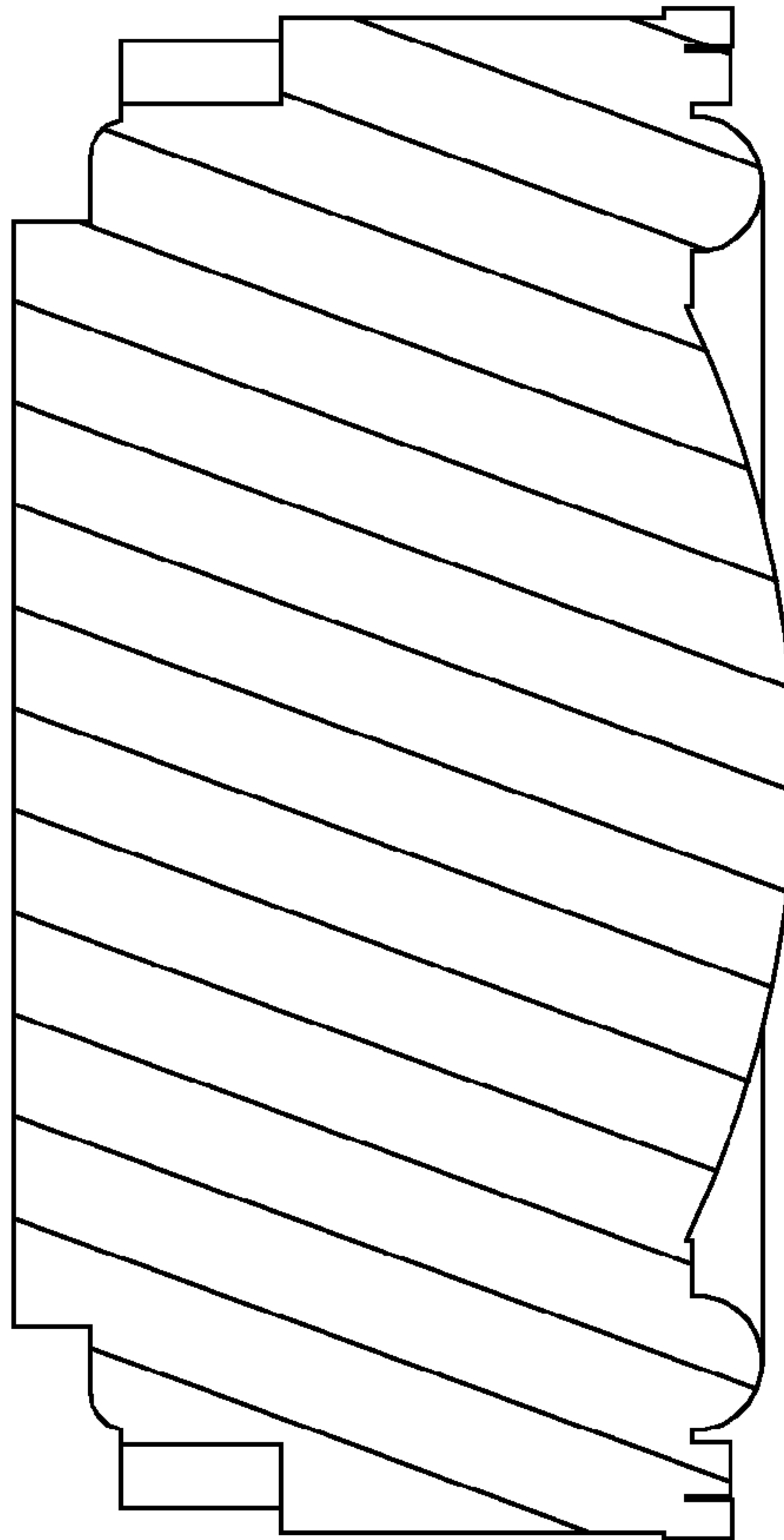


FIG. 8