



US00D652019S

(12) **United States Design Patent**
Behar et al.

(10) **Patent No.:** **US D652,019 S**
(45) **Date of Patent:** **** Jan. 10, 2012**

(54) **SPEAKER**

(56) **References Cited**

(75) Inventors: **Yves Albert Behar**, San Francisco, CA (US); **Gabriel J. Lamb**, San Francisco, CA (US); **Qin Li**, San Francisco, CA (US)

U.S. PATENT DOCUMENTS

D531,986	S	*	11/2006	Azumi et al.	D14/214
D546,318	S	*	7/2007	Yoon et al.	D14/214
D589,939	S	*	4/2009	Hsu	D14/214
D597,529	S	*	8/2009	Tan et al.	D14/214

* cited by examiner

(73) Assignee: **Aliphcom**, San Francisco, CA (US)

Primary Examiner — Nanda Bondade

(74) *Attorney, Agent, or Firm* — Kilpatrick Townsend & Stockton LLP

(**) Term: **14 Years**

(57) **CLAIM**

The ornamental design for a speaker, as shown and described.

(21) Appl. No.: **29/378,328**

DESCRIPTION

(22) Filed: **Nov. 2, 2010**

FIG. 1 is a perspective view of a speaker showing our new design;
FIG. 2 is a front elevational view thereof;
FIG. 3 is a rear elevational view thereof;
FIG. 4 is a top plan view thereof;
FIG. 5 is a bottom plan view thereof;
FIG. 6 is a right side elevational view thereof; and,
FIG. 7 is a left side elevational view thereof.
The broken line showing on the drawing disclosure is for illustrative purposes only and forms no part of the claimed design.

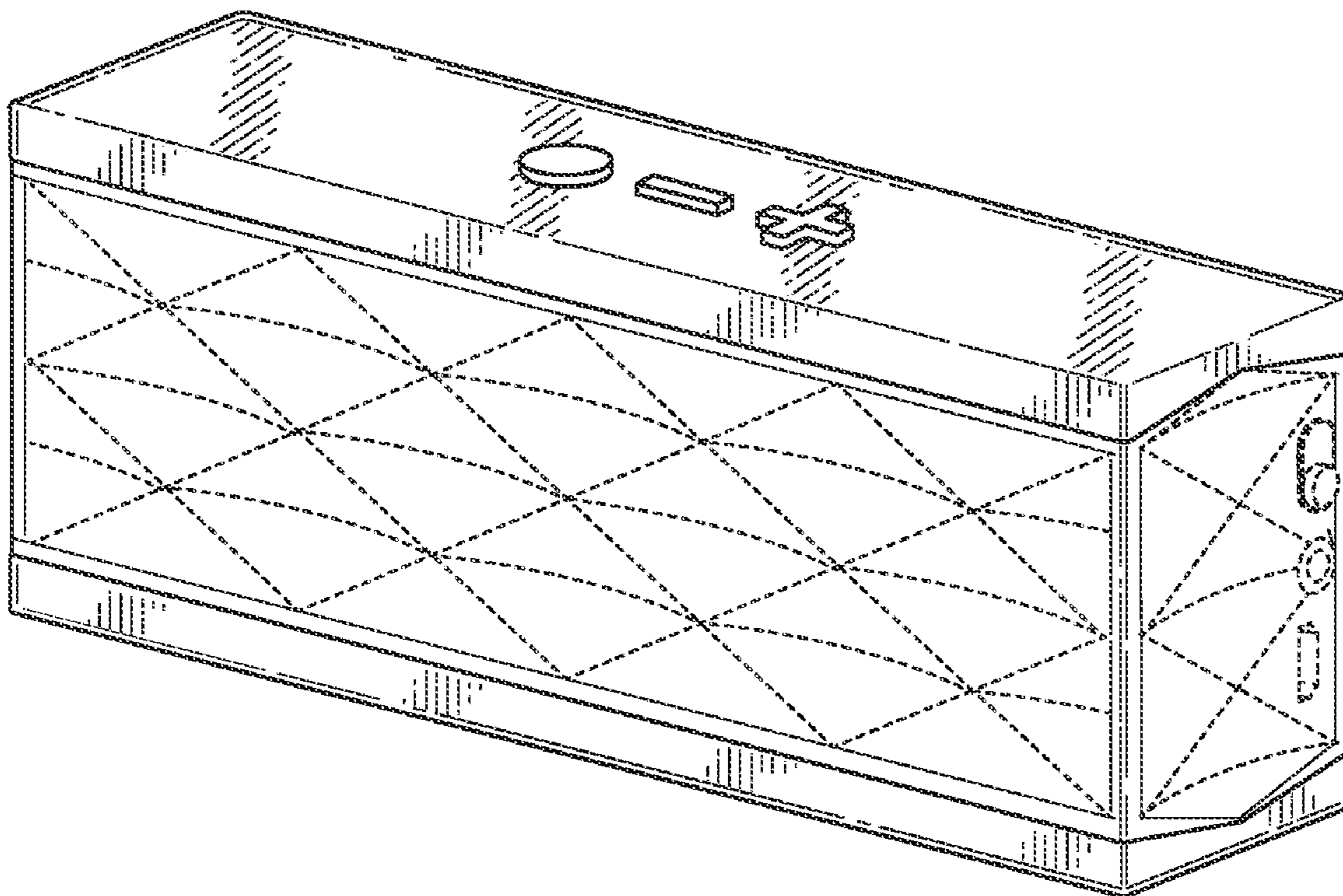
(51) **LOC (9) Cl.** **14-01**

(52) **U.S. Cl.** **D14/214**

(58) **Field of Classification Search** D14/204,
D14/210-215, 172; 181/143-144, 147-148,
181/150-153, 157, 198-199; 381/300-303,
381/306, 332-333, 336, 345, 361-364, 386-388

See application file for complete search history.

1 Claim, 3 Drawing Sheets



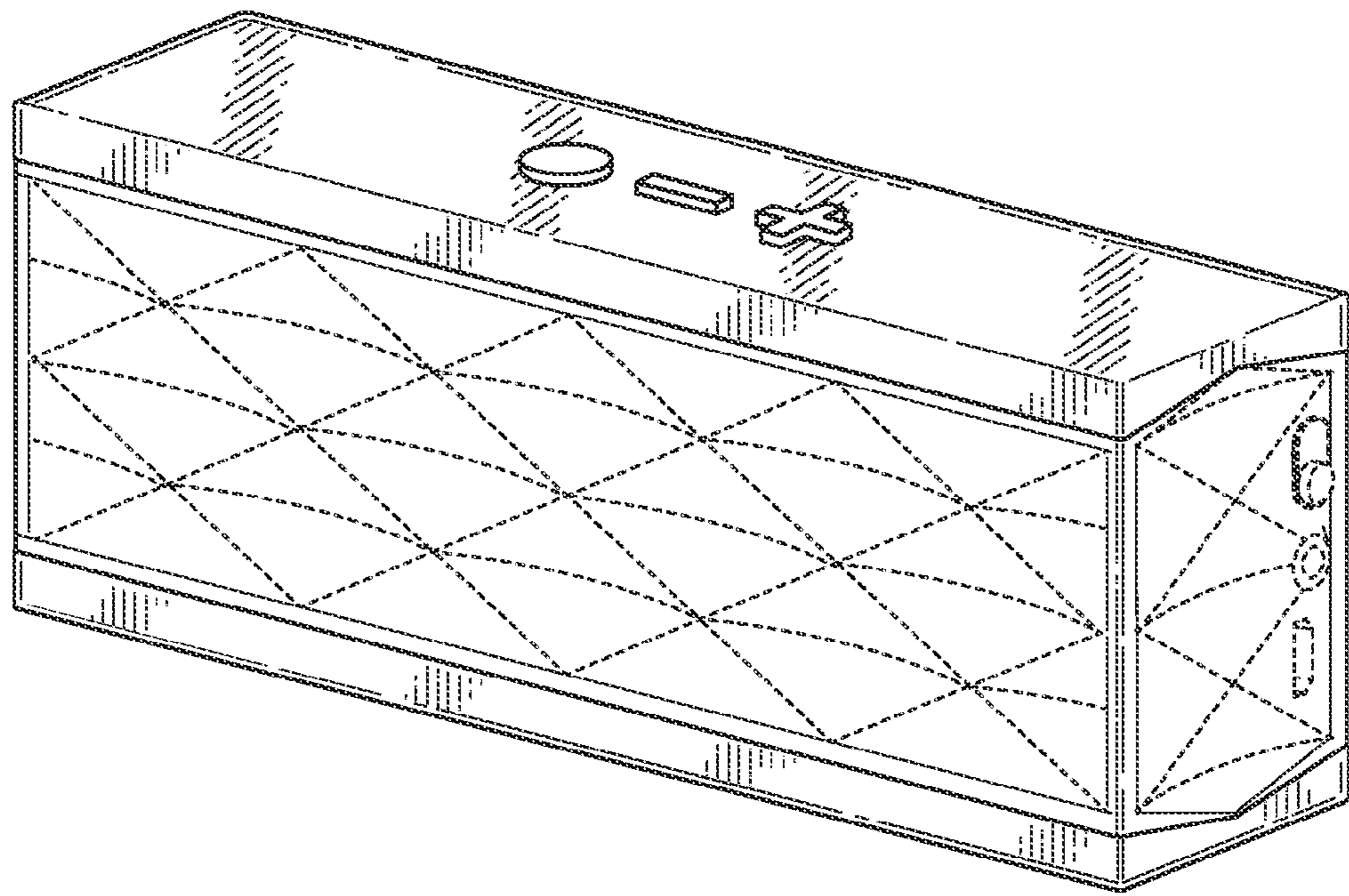


FIG. 1

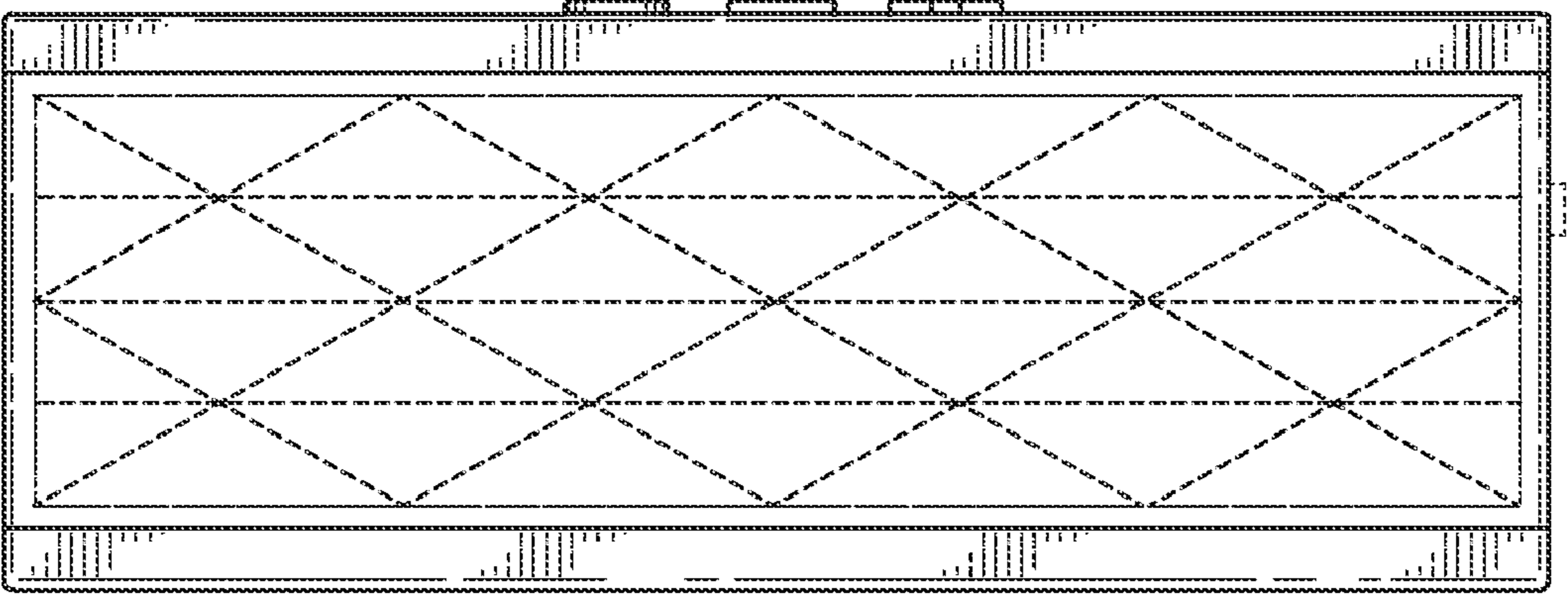


FIG. 2

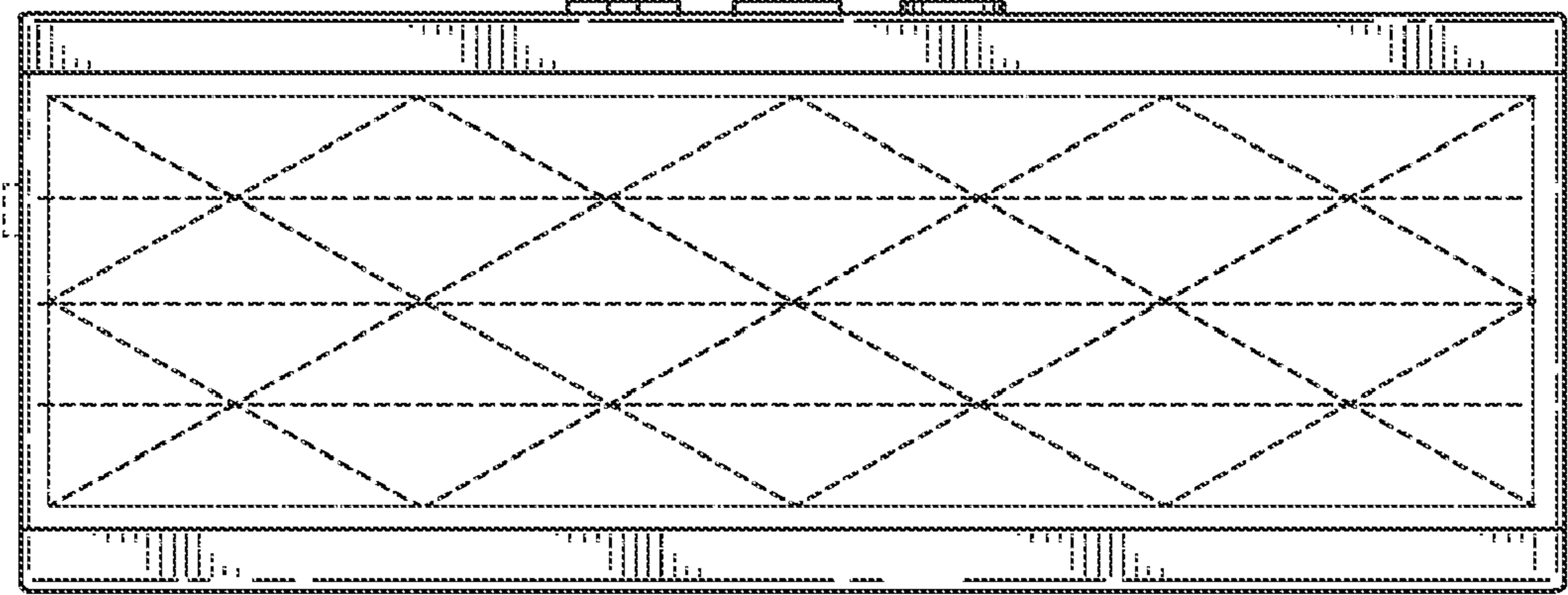


FIG. 3

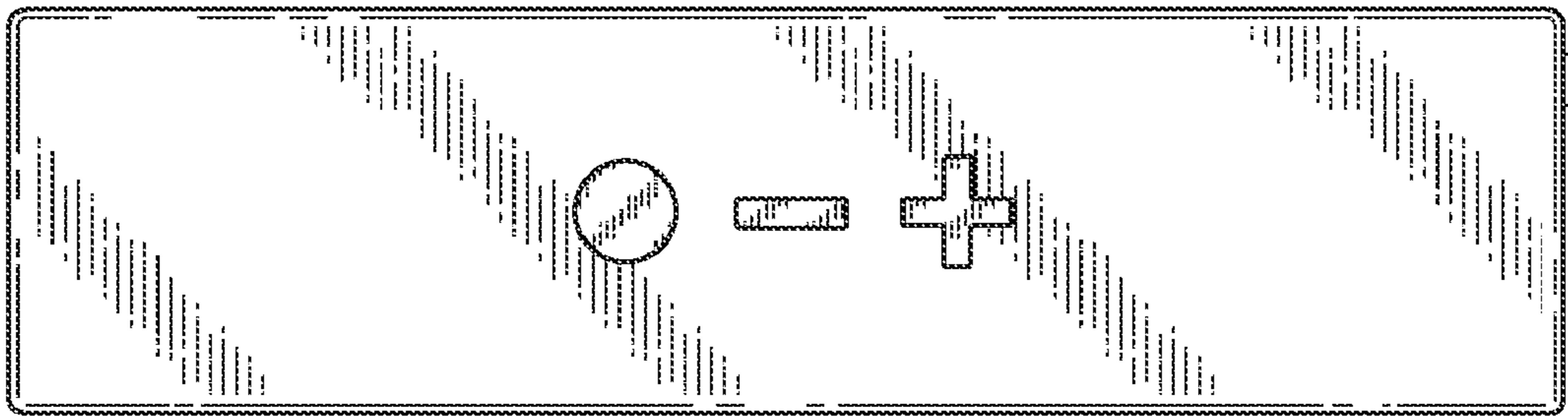


FIG. 4

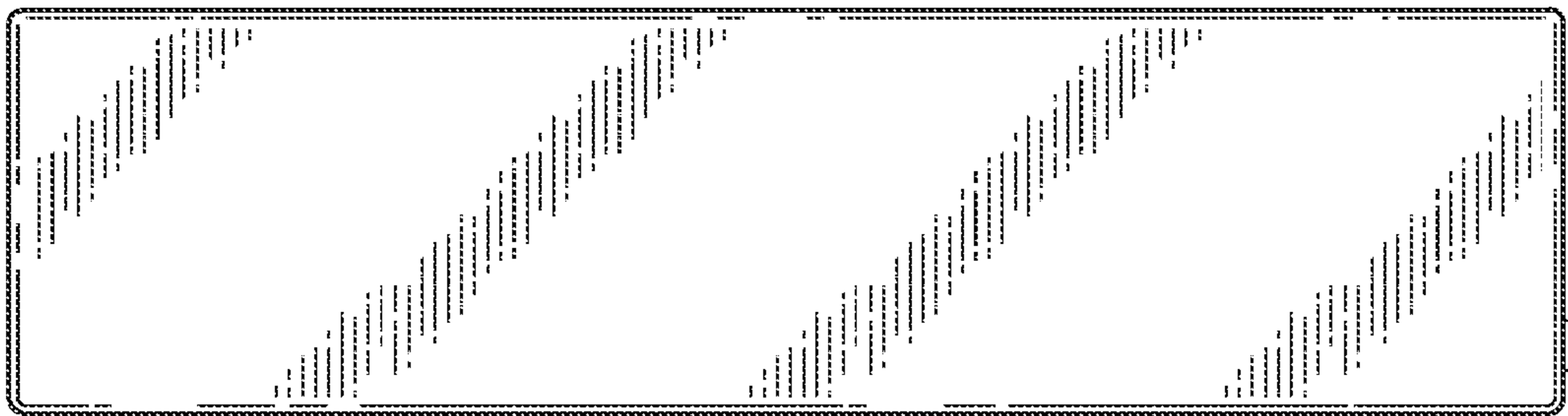


FIG. 5

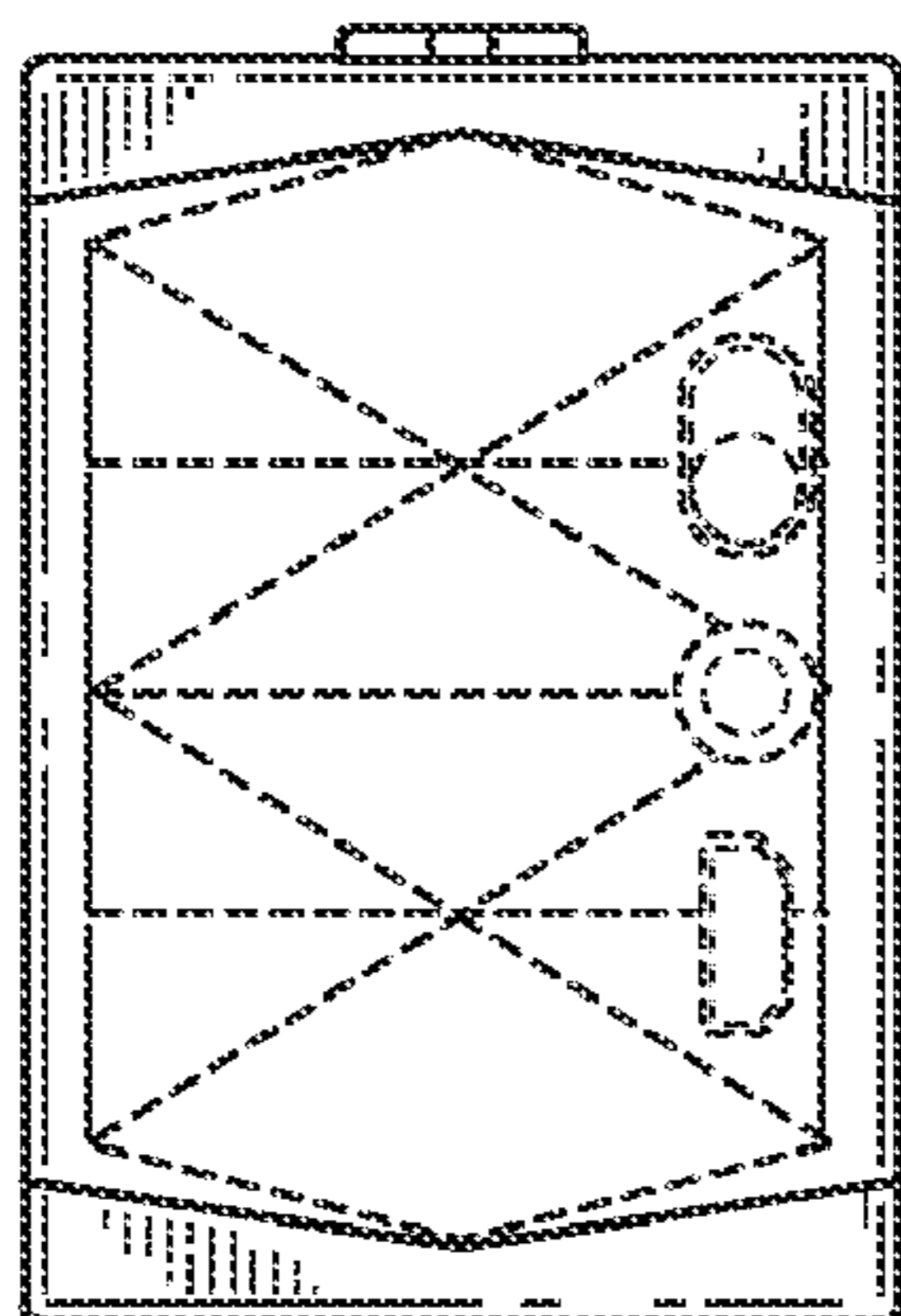


FIG. 6

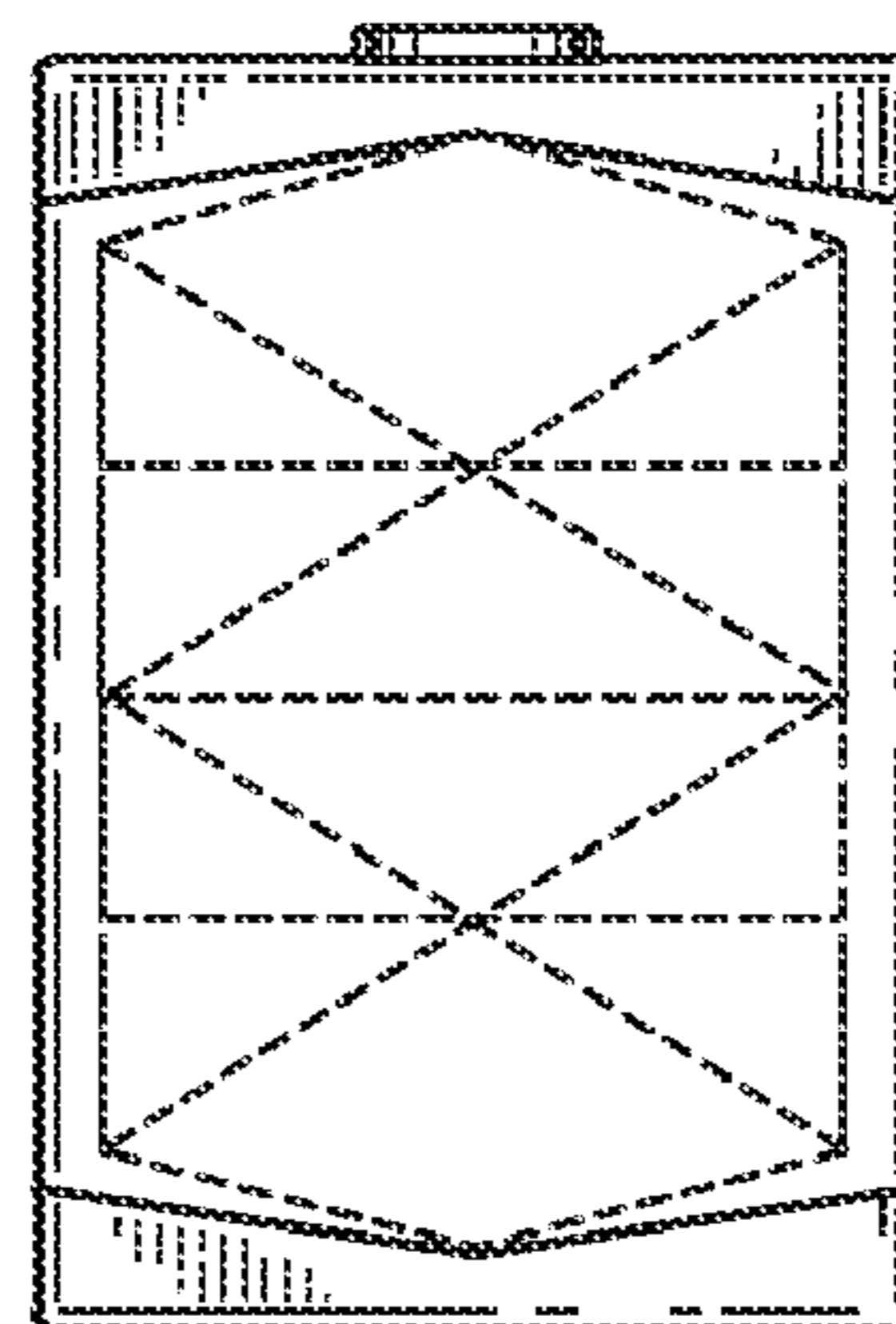


FIG. 7